



US00D569145S

(12) **United States Design Patent**
Gilbert

(10) **Patent No.:** **US D569,145 S**

(45) **Date of Patent:** **** May 20, 2008**

(54) **ACCESSORY POST**

(75) Inventor: **Christopher Jon Gilbert**, Moreland Hills, OH (US)

(73) Assignee: **Moen Incorporated**, North Olmsted, OH (US)

(**) Term: **14 Years**

(21) Appl. No.: **29/292,417**

(22) Filed: **Oct. 11, 2007**

(51) **LOC (8) Cl.** **23-02**

(52) **U.S. Cl.** **D6/524; D6/550**

(58) **Field of Classification Search** D6/524, D6/546-550; D8/300, 303, 315-321, 354, D8/363, 373, 380; 108/28-29; 211/13.1, 211/16, 60.1, 86.01, 87.01, 88.01, 88.04, 211/100, 105.1, 105.2, 123, 126.1, 133.6, 211/134, 181.1, 182; 248/175, 176.1, 200, 248/251, 302, 309.1; 16/100.1, 412, 415; 242/570, 590, 595-598; 206/389, 557

See application file for complete search history.

(56) **References Cited**

U.S. PATENT DOCUMENTS

D378,231 S	2/1997	Dubin	
D391,831 S	3/1998	Doughty et al.	
D467,320 S	12/2002	Yegyayan	
D495,782 S	9/2004	Lin	
D504,043 S	4/2005	Kennard	
D512,129 S	11/2005	Gilbert	
D514,666 S	2/2006	Kennard	
D516,354 S *	3/2006	Sedwick	D6/550
D516,357 S *	3/2006	Gilbert et al.	D6/550
D518,986 S	4/2006	Gilbert	

D520,282 S *	5/2006	Hoernig	D6/550
D520,789 S *	5/2006	Zhu et al.	D6/550
D520,792 S *	5/2006	Wu	D6/550
D521,293 S	5/2006	Solowiej	
D533,384 S *	12/2006	Gilbert	D6/550
D533,642 S *	12/2006	Gilbert et al.	D6/524
D544,266 S *	6/2007	Wu	D6/524
D551,325 S *	9/2007	Kennard	D6/524
D551,479 S *	9/2007	Gilbert	D6/524
D554,406 S *	11/2007	Sedwick et al.	D6/524
D557,049 S *	12/2007	Sedwick et al.	D6/524

* cited by examiner

Primary Examiner—Brian N Vinson

(74) *Attorney, Agent, or Firm*—Calfee, Halter & Griswold LLC

(57) **CLAIM**

The ornamental design for an accessory post, as shown and described.

DESCRIPTION

FIG. 1 is a perspective view of an accessory post of the new design;

FIG. 2 is a front elevational view of the accessory post of FIG. 1;

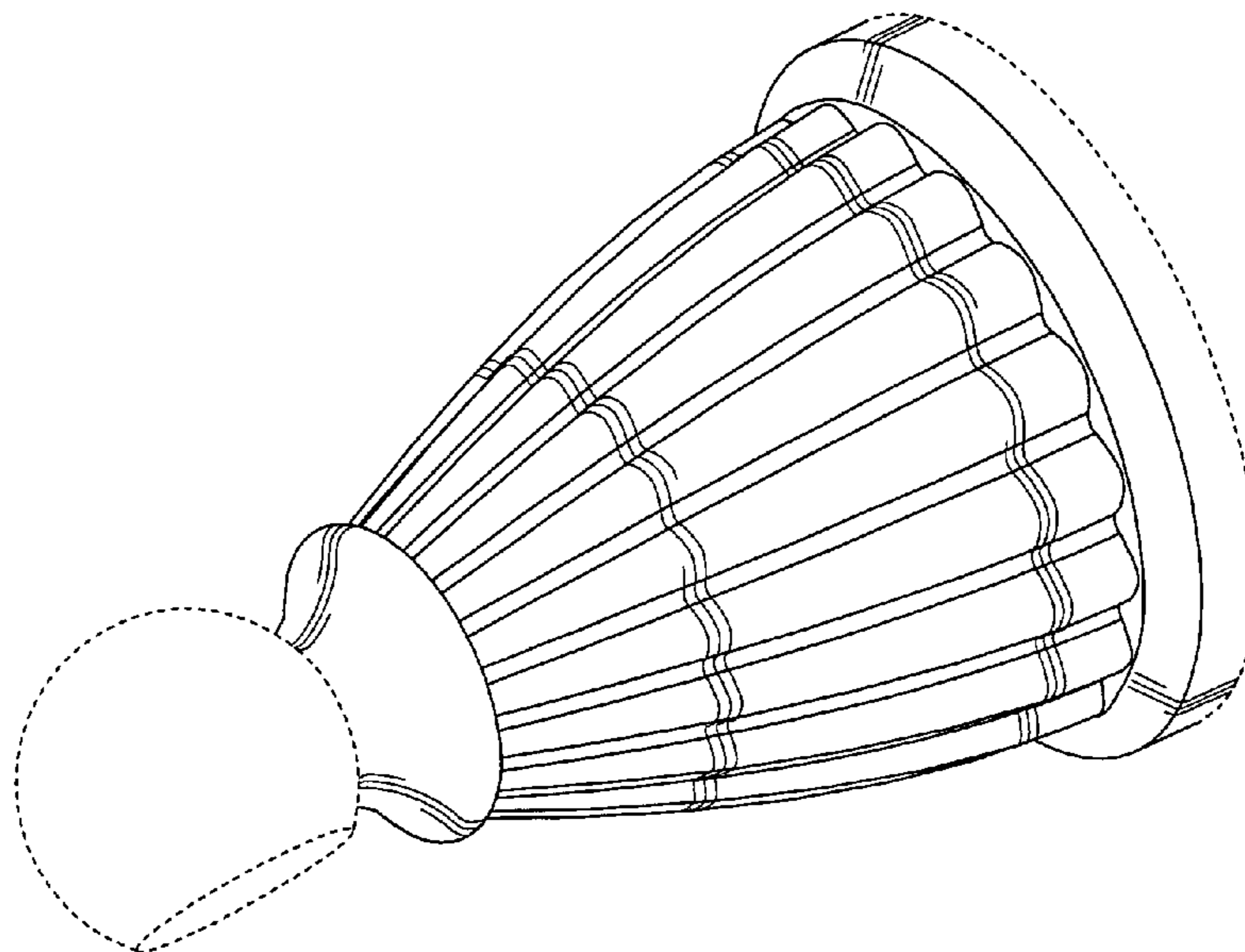
FIG. 3 is a left side elevational view of the accessory post of FIG. 1;

FIG. 4 is a right side elevational view of the accessory post of FIG. 1; and,

FIG. 5 is a top plan view of the accessory post of FIG. 1, the bottom plan view being a mirror image.

The portions of the Figures shown in broken lines are not part of the claimed design and are for illustration only.

1 Claim, 3 Drawing Sheets



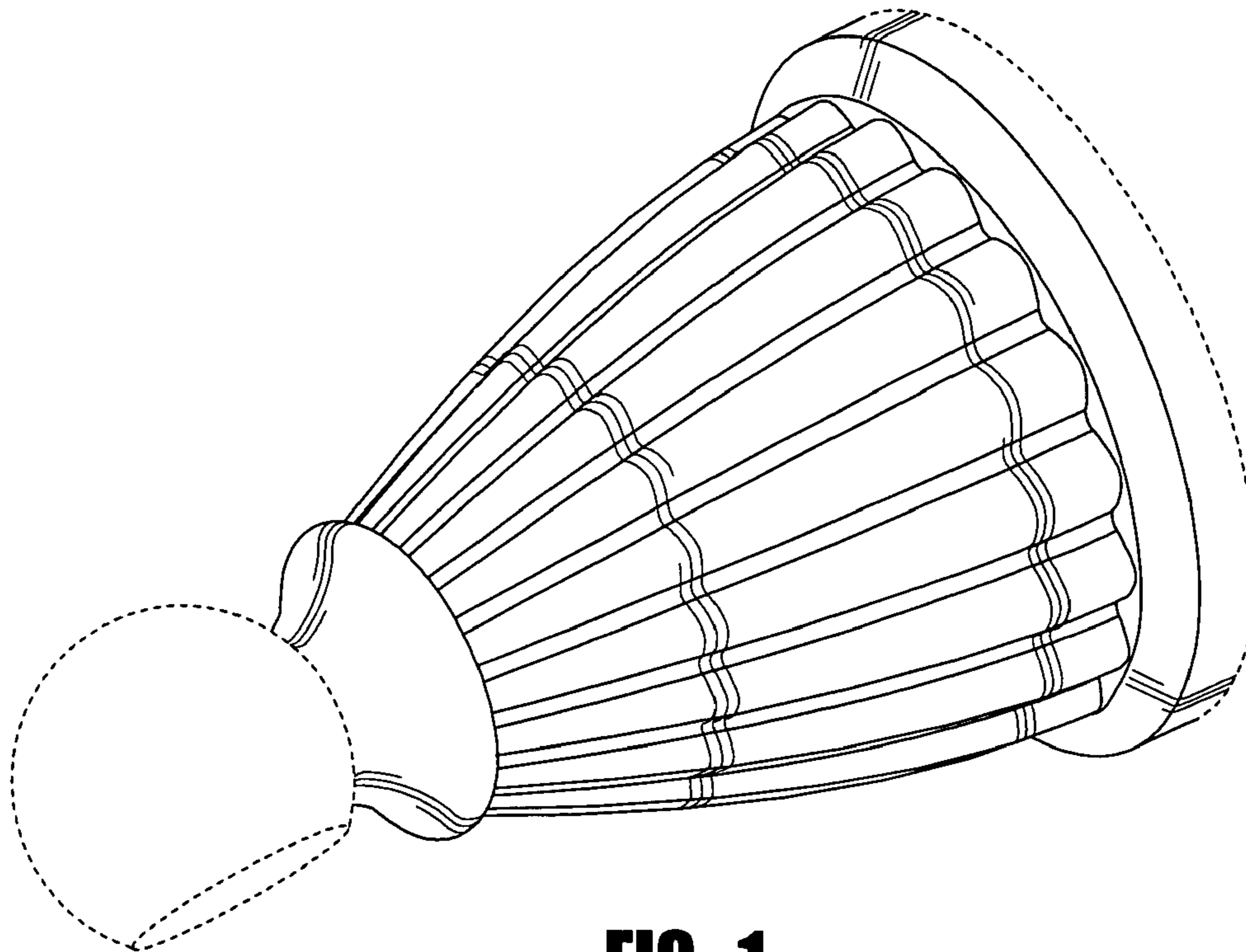


FIG. 1

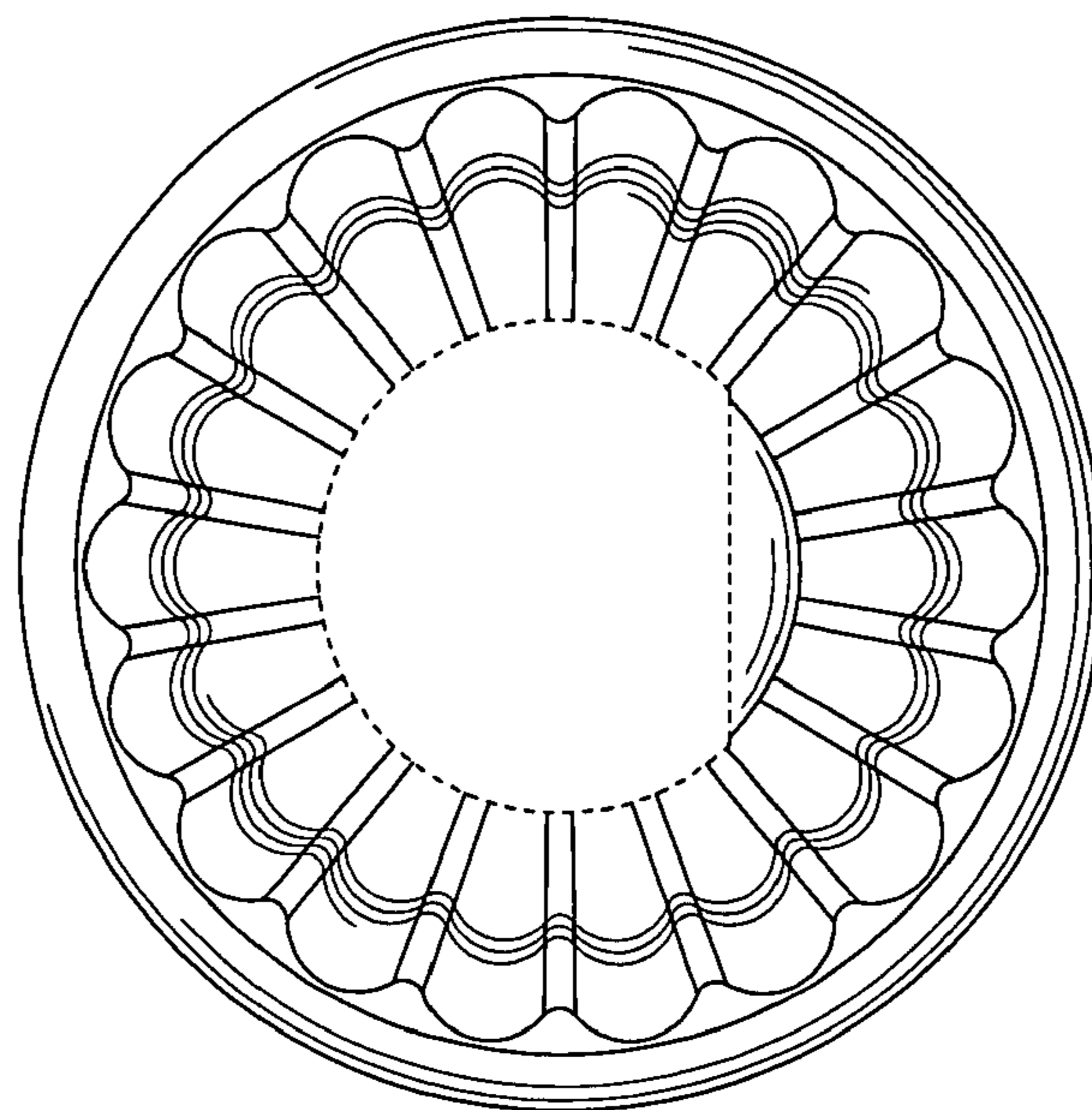


FIG. 2

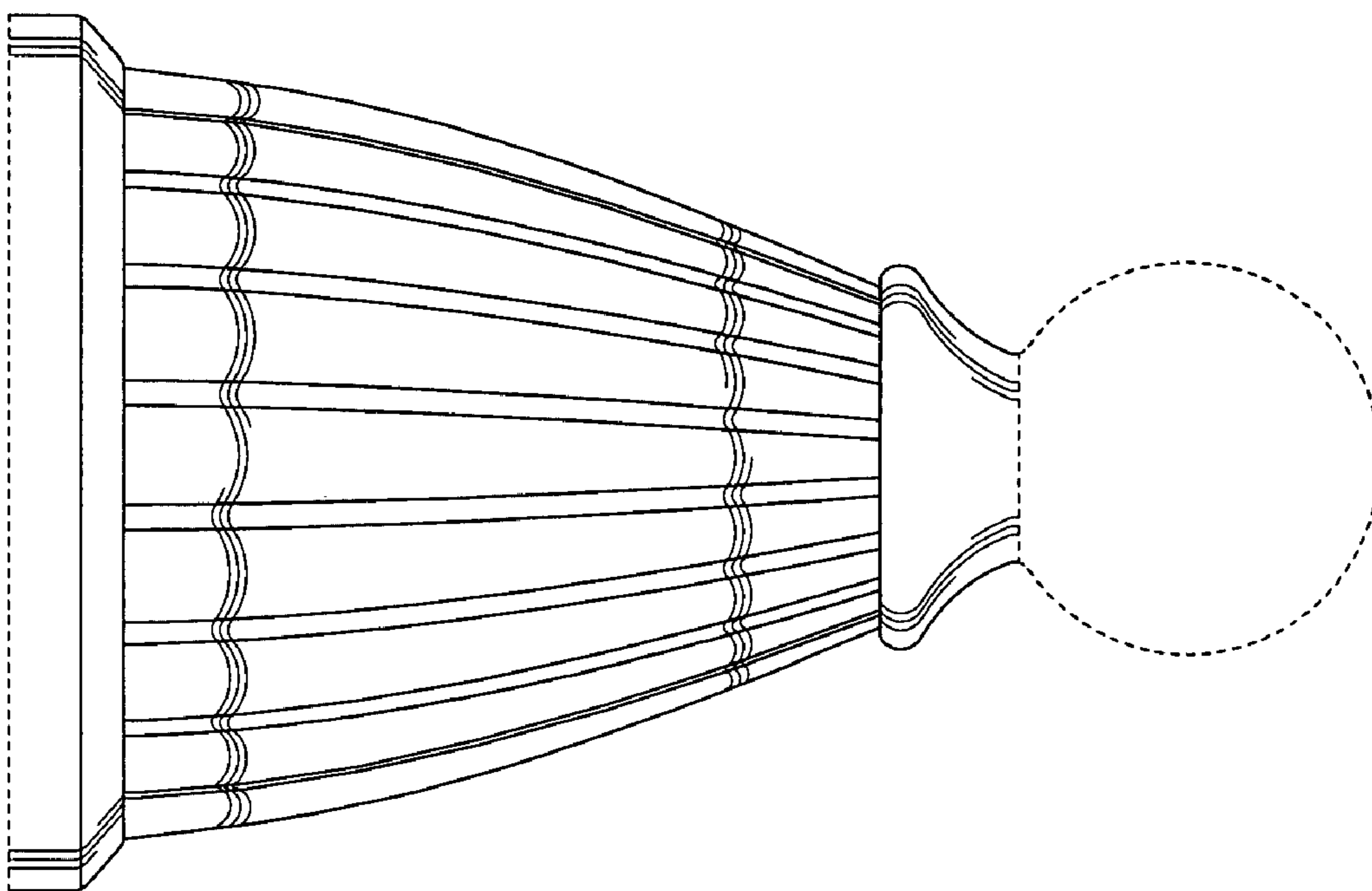


FIG. 3

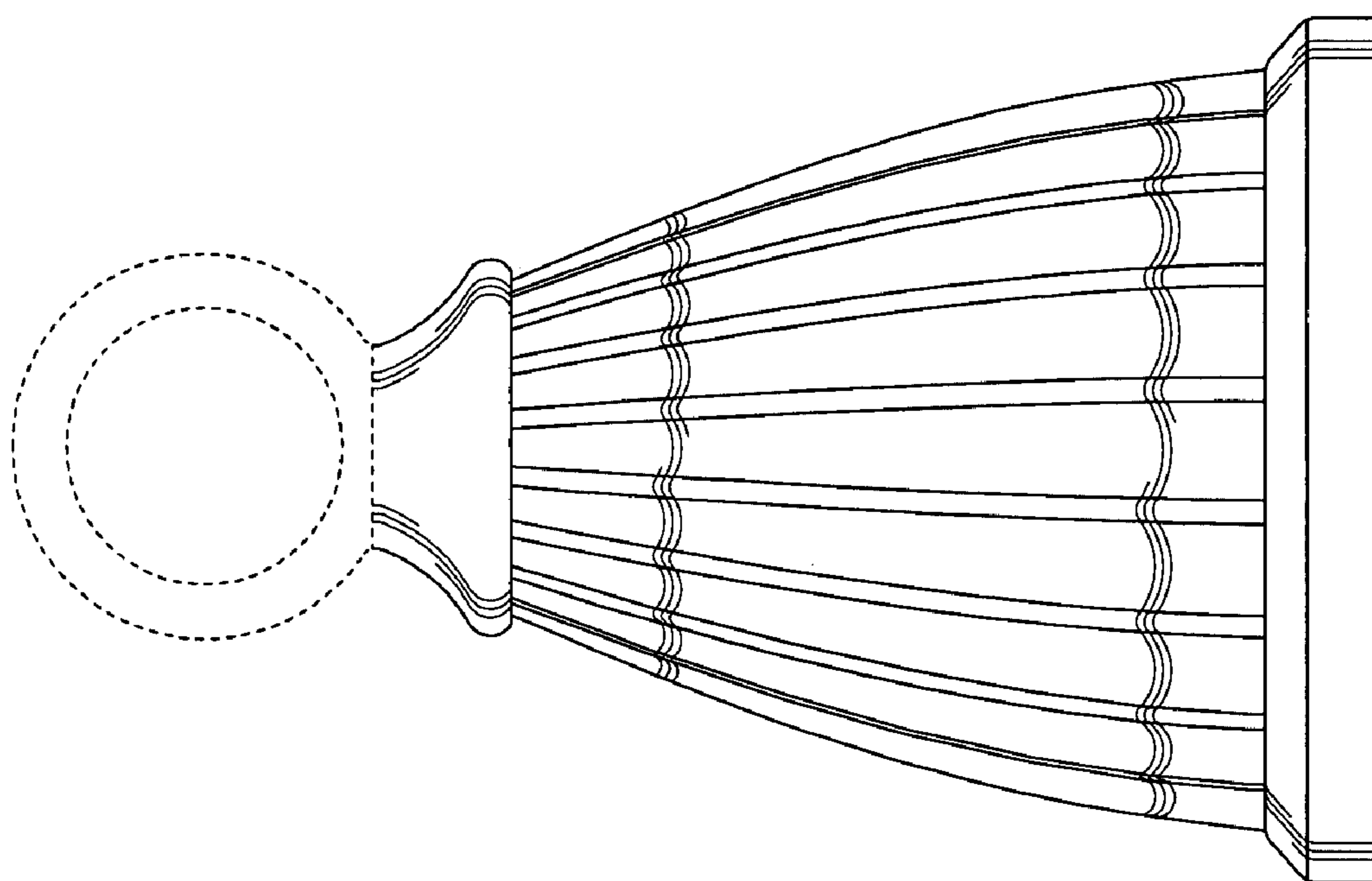


FIG. 4

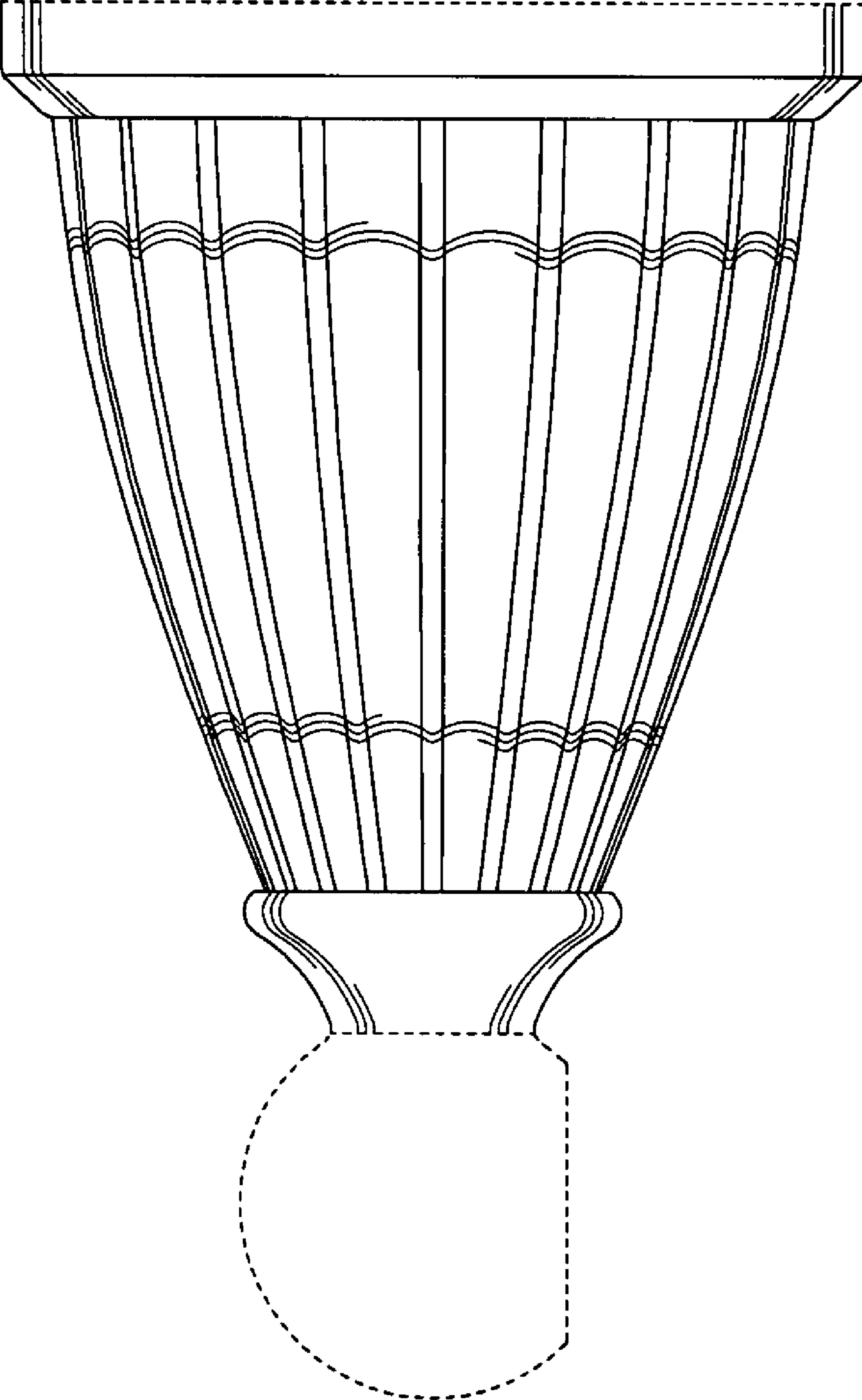


FIG. 5