



US00D569142S

(12) **United States Design Patent**
Burak

(10) **Patent No.:** **US D569,142 S**
(45) **Date of Patent:** **** May 20, 2008**

- (54) **DESKTOP CLUSTER**
 - (75) Inventor: **Edward John Burak**, Raumati South (NZ)
 - (73) Assignee: **Formway Furniture Limited**, Wellington (NZ)
 - (**) Term: **14 Years**
 - (21) Appl. No.: **29/249,459**
 - (22) Filed: **Oct. 6, 2006**
 - (51) **LOC (8) Cl.** **06-06**
 - (52) **U.S. Cl.** **D6/511**
 - (58) **Field of Classification Search** D6/480-489, D6/511, 429, 428, 422, 425, 406.3; 108/150, 108/152, 153.1, 156, 161, 157.1, 50.01, 50.02; 312/238
- See application file for complete search history.

- (56) **References Cited**
- U.S. PATENT DOCUMENTS
- D81,654 S * 7/1930 Kopp D6/486
- (Continued)

- FOREIGN PATENT DOCUMENTS
- EP 0 006 707 A1 1/1980

- OTHER PUBLICATIONS
- Nomos design: Foster Associates*, Tecno spa Milano, published by at least as early as Oct. 1, 2006.
- Primary Examiner*—Janice E. Seeger
- (74) *Attorney, Agent, or Firm*—Workman Nydegger

- (57) **CLAIM**
- The ornamental design for a desktop cluster, as shown and described.

DESCRIPTION

FIG. 1 is a top perspective view of a desktop cluster showing my new design;

FIG. 2 is an elevational right side view thereof, the elevational left side view thereof being identical thereto;

FIG. 3 is a top plan view thereof;

FIG. 4 is an elevational front view thereof, the elevational back view thereof being identical thereto;

FIG. 5 is a perspective view thereof;

FIG. 6 is a top plan view thereof;

FIG. 7 is an elevational front view thereof, the elevational back view thereof being identical thereto;

FIG. 8 is an elevational right side view thereof, the elevational left side view thereof being identical thereto;

FIG. 9 is a perspective view of a second embodiment of a desktop cluster showing my new design;

FIG. 10 is an elevational right side view thereof, the elevational left side view thereof being identical thereto;

FIG. 11 is a top plan view thereof;

FIG. 12 is an elevational front view thereof, the elevational back view thereof being identical thereto;

FIG. 13 is a perspective view thereof;

FIG. 14 is a top plan view thereof;

FIG. 15 is an elevational front view thereof, the elevational back view thereof being identical thereto;

FIG. 16 is an elevational right side view thereof, the elevational left side view thereof being identical thereto;

FIG. 17 is a perspective view of a third embodiment of a desktop cluster showing my new design;

FIG. 18 is an elevational right side view thereof, the elevational left side view thereof being identical thereto;

FIG. 19 is a top plan view thereof;

FIG. 20 is an elevational front view thereof, the elevational back view thereof being identical thereto;

FIG. 21 is a perspective view thereof;

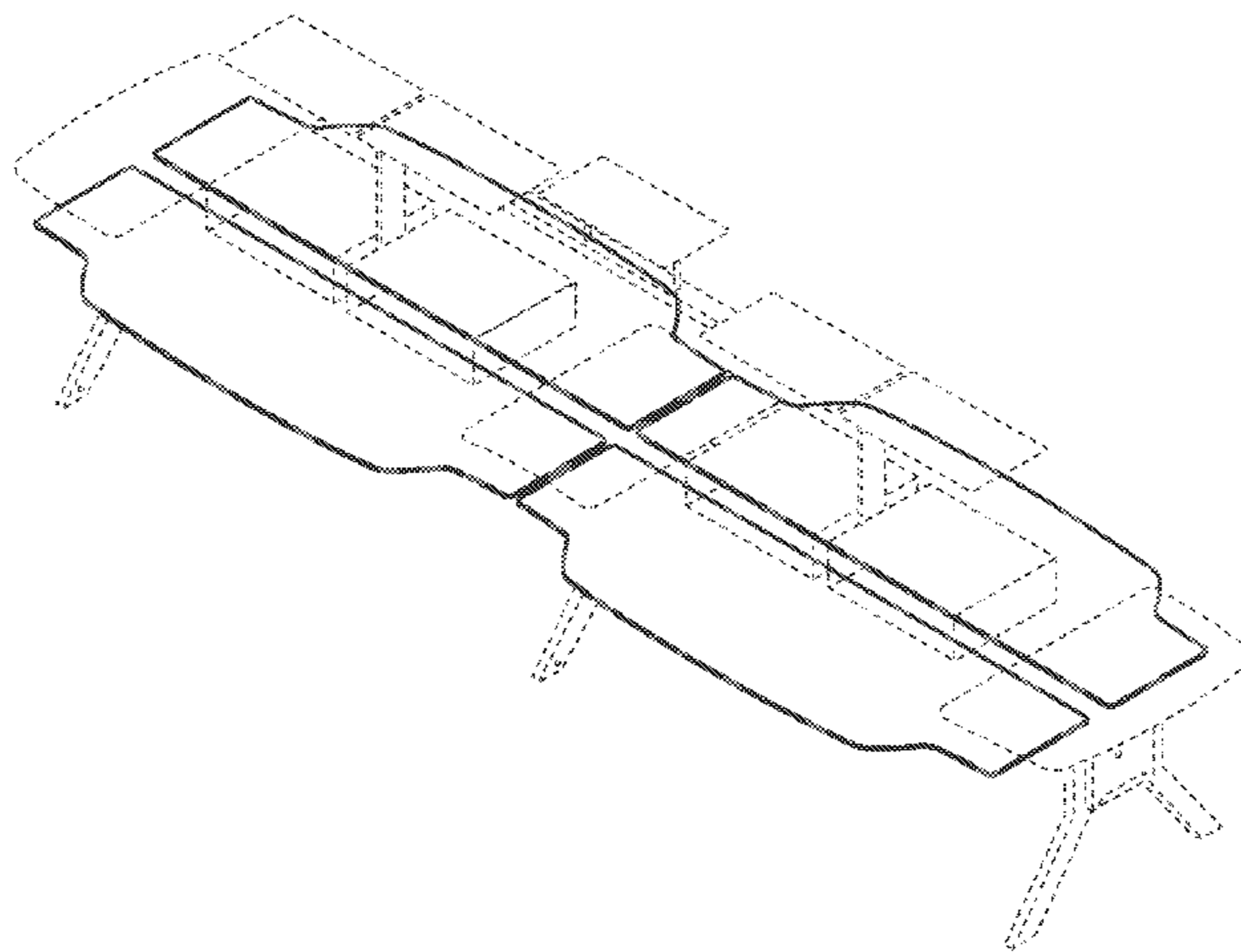
FIG. 22 is a top plan view thereof;

FIG. 23 is an elevational front view thereof, the elevational back view thereof being identical thereto; and,

FIG. 24 is an elevational right side view thereof, the elevational left side view thereof being identical thereto.

The broken lines showing the support legs and the workstation components of the desktop clusters are for illustrative purpose only and form no part of the claimed design.

1 Claim, 15 Drawing Sheets



US D569,142 S

Page 2

U.S. PATENT DOCUMENTS

D99,564 S *	5/1936	Talbert	D6/428	D359,631 S	6/1995	Bubb	
D165,273 S *	11/1951	Dunlap	D6/430	D359,640 S	6/1995	Newhouse et al.	
D218,176 S	7/1970	Des Marais et al.		5,438,937 A	8/1995	Ball et al.	
3,688,419 A	9/1972	Woolman		5,473,994 A	12/1995	Foley et al.	
3,858,528 A	1/1975	Petersen		5,522,323 A	6/1996	Richard	
3,869,992 A	3/1975	Kramer		5,546,873 A	8/1996	Conner et al.	
D250,312 S *	11/1978	Duke et al.	D6/480	5,655,822 A	8/1997	Roberts et al.	
4,365,561 A	12/1982	Tellier et al.		D389,680 S *	1/1998	Moore	D6/511
4,679,510 A	7/1987	Veyhl et al.		5,704,298 A	1/1998	Corpuz, Jr. et al.	
4,838,177 A	6/1989	Vander Park		5,743,193 A	4/1998	Kakuta et al.	
4,840,023 A	6/1989	Borsani		D401,776 S	12/1998	Weng	
4,879,955 A	11/1989	Moll et al.		D402,623 S *	12/1998	Rosenfeld	D12/415
D306,101 S	2/1990	Borsani		5,848,497 A	12/1998	Henderson	
4,936,228 A	6/1990	Capo-Bianco		D412,625 S	8/1999	Montague, III et al.	
4,966,341 A	10/1990	Borsani		5,943,966 A	8/1999	Machado et al.	
4,974,915 A	12/1990	Bussard		6,170,410 B1	1/2001	Gioacchini et al.	
5,016,405 A	5/1991	Lee		6,202,567 B1	3/2001	Funk et al.	
D320,129 S	9/1991	Perrego et al.		6,283,043 B1 *	9/2001	Stern et al.	108/50.02
5,078,055 A	1/1992	Bellini et al.		6,427,608 B1	8/2002	Crinion	
5,103,741 A	4/1992	Grund et al.		D486,679 S *	2/2004	Linder	D6/511
D331,672 S	12/1992	Brodbeck		6,725,784 B2	4/2004	Crinion	
D332,189 S	1/1993	Brodbeck		6,792,876 B2	9/2004	Lin	
5,237,935 A	8/1993	Newhouse et al.		D512,851 S	12/2005	Chang	
D341,272 S	11/1993	Pesso		6,990,909 B2	1/2006	Gosling et al.	
D341,507 S *	11/1993	Harvey et al.	D6/482	7,036,438 B2	5/2006	Okamoto et al.	
5,352,033 A	10/1994	Gresham et al.		2005/0045073 A1	3/2005	Wasley	

* cited by examiner

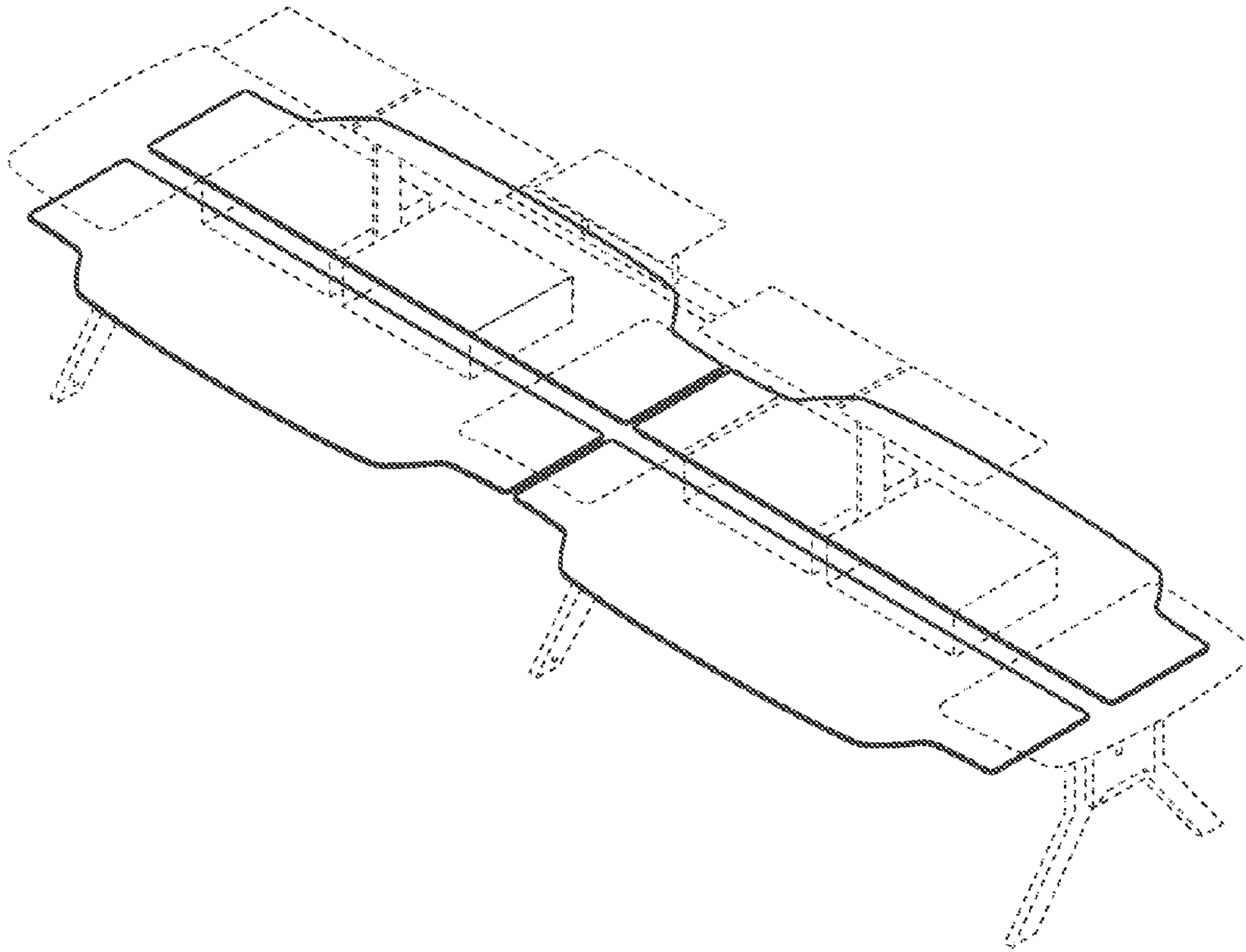


FIG. 1

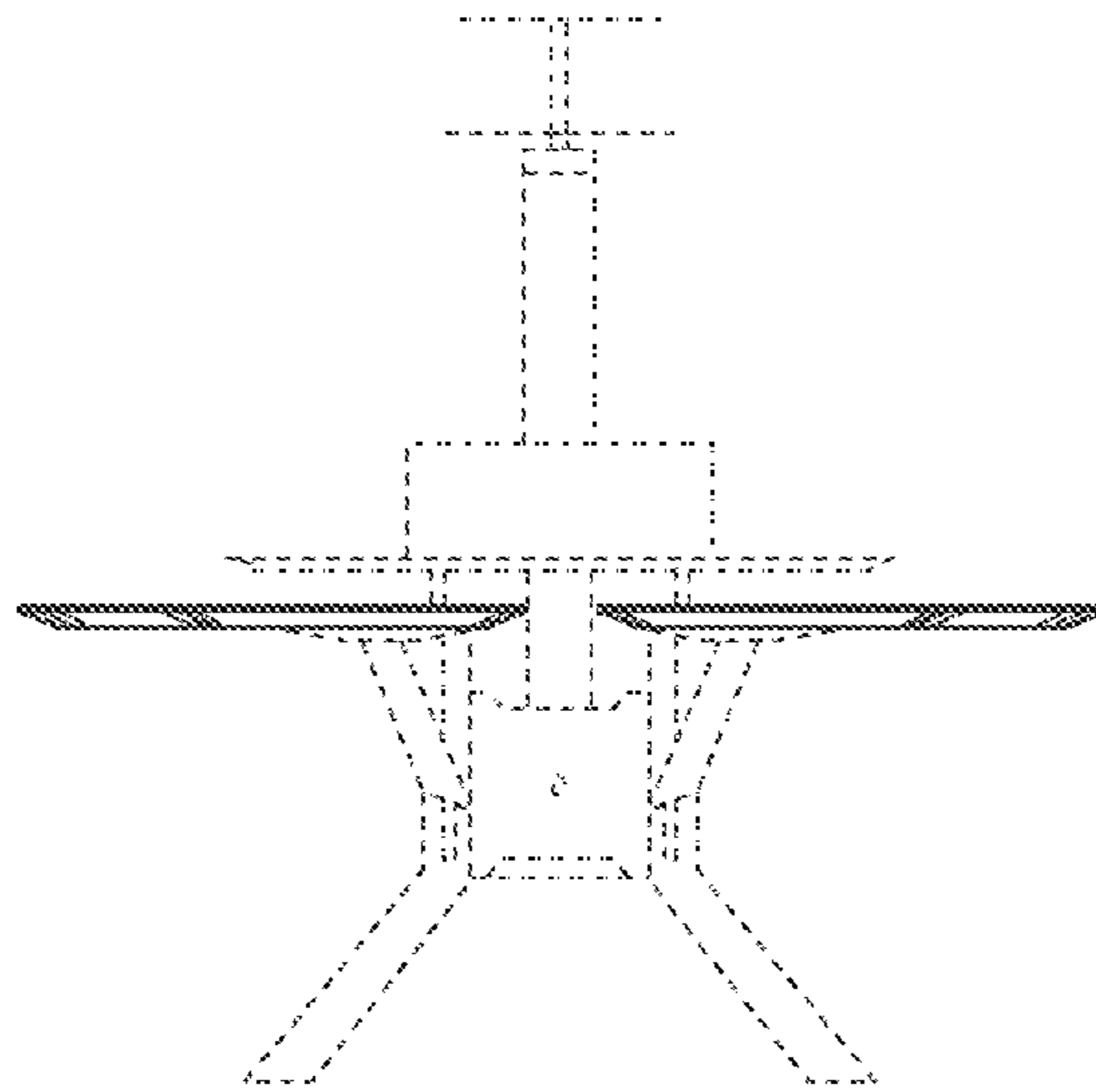


FIG. 2

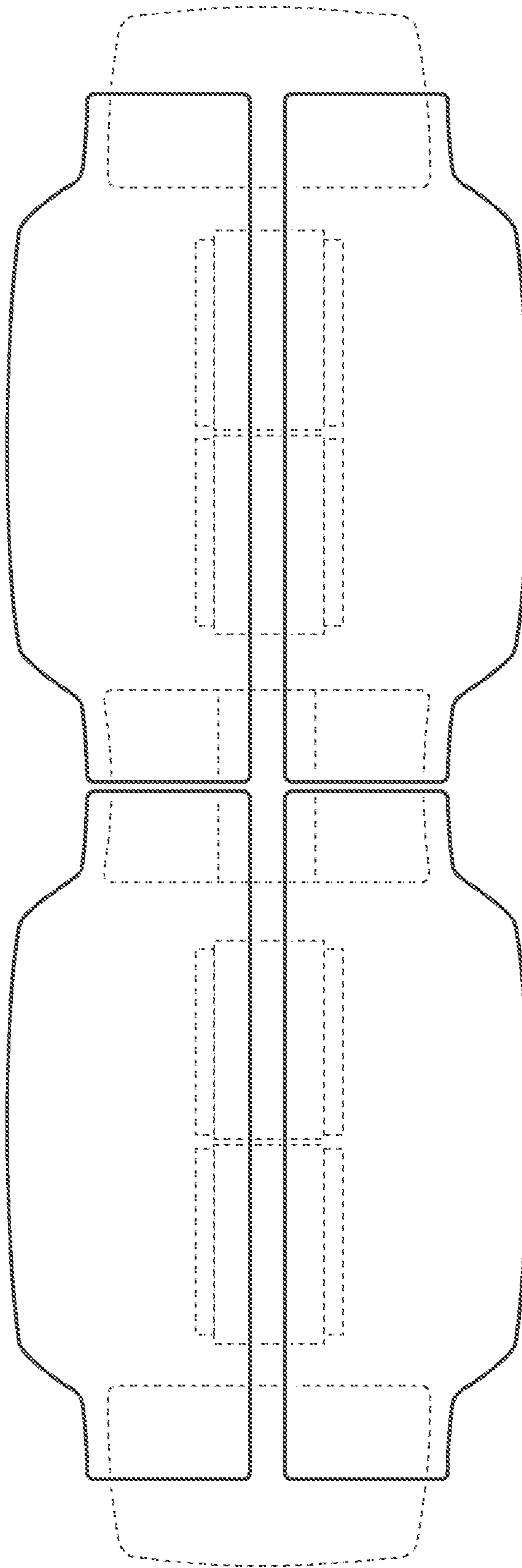


FIG. 3

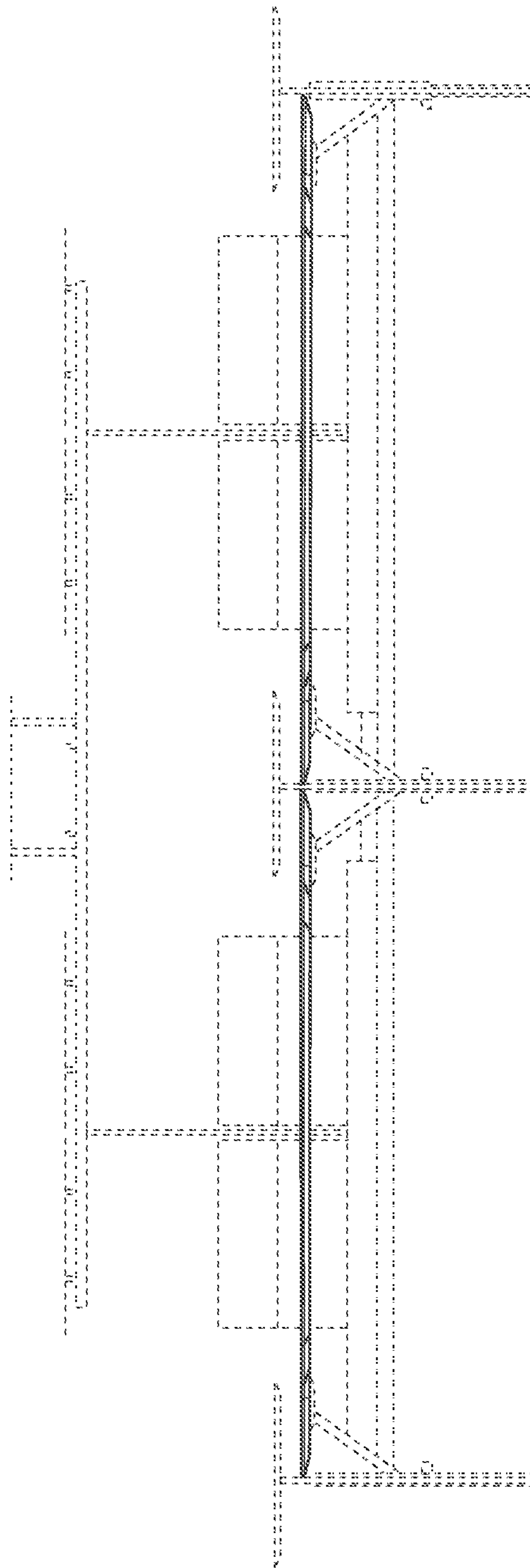


FIG. 4

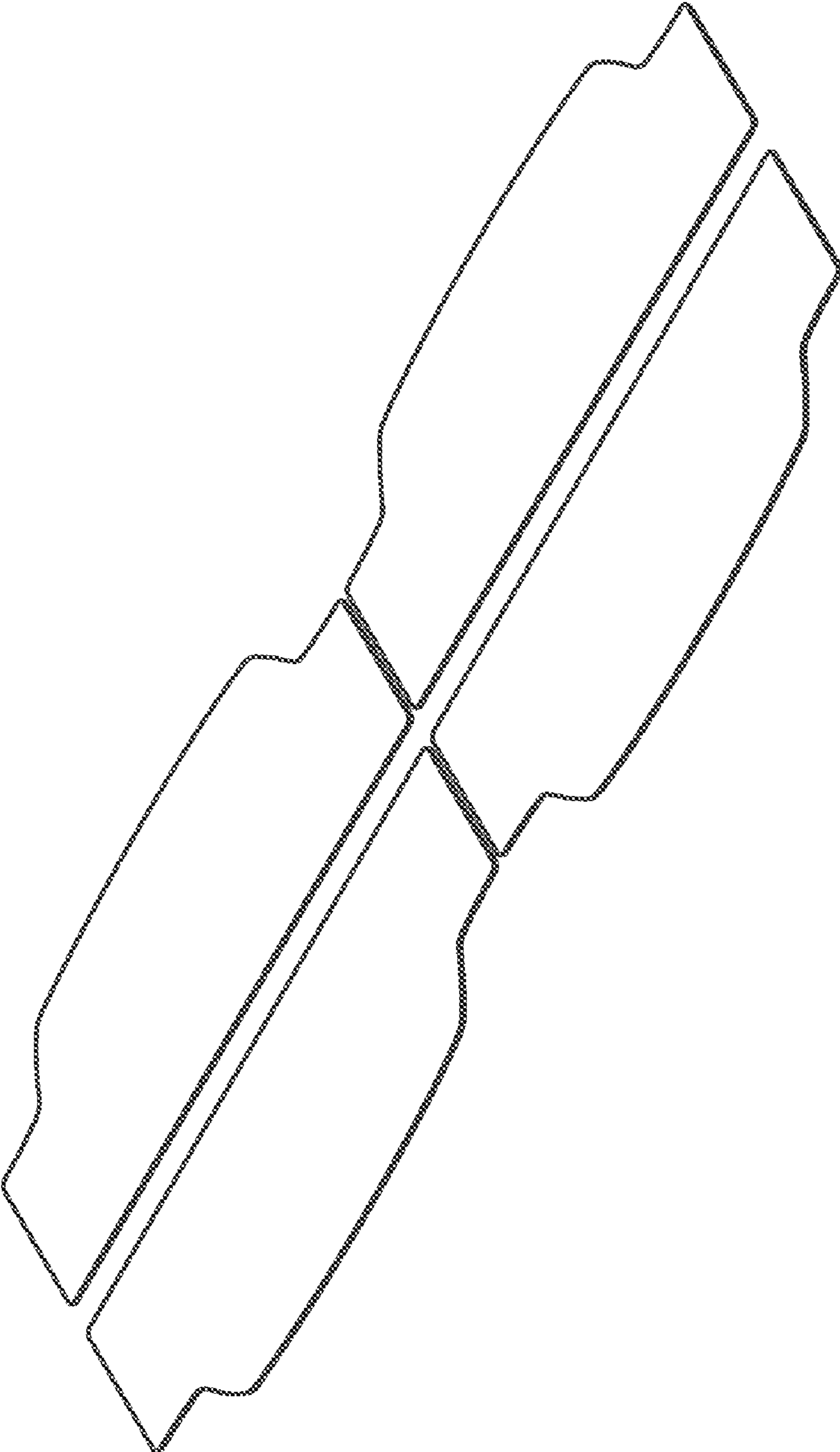


FIG. 5

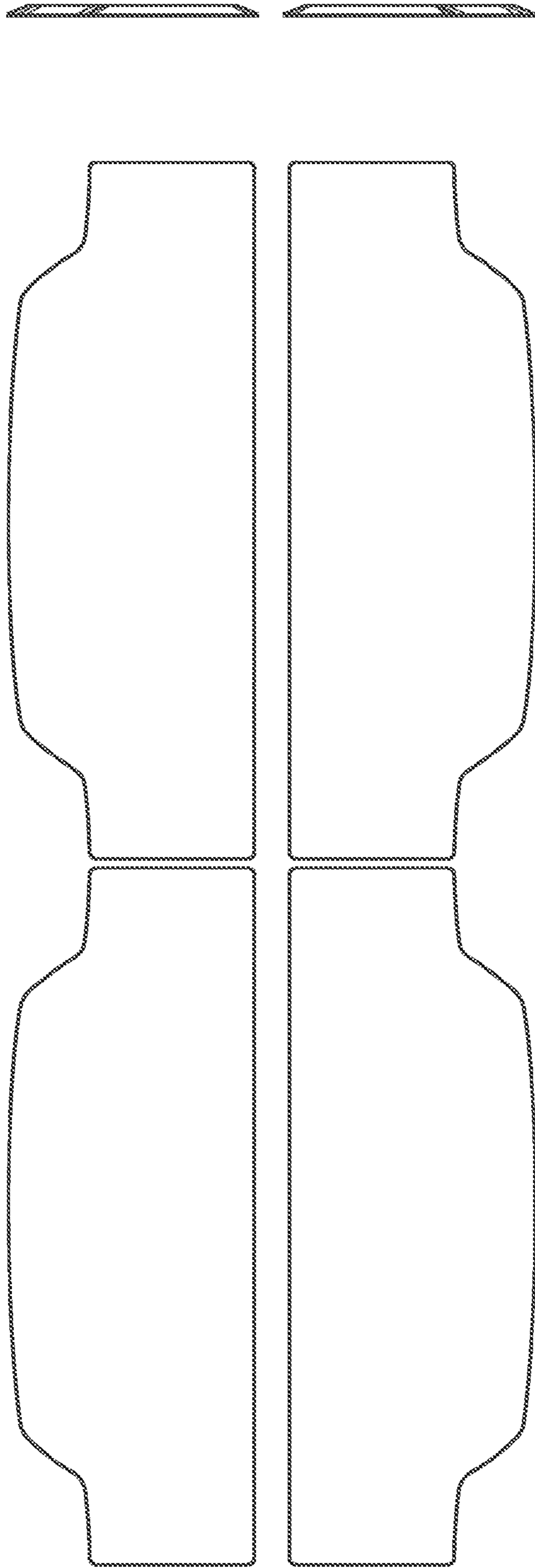


FIG. 6

FIG. 8



FIG. 7

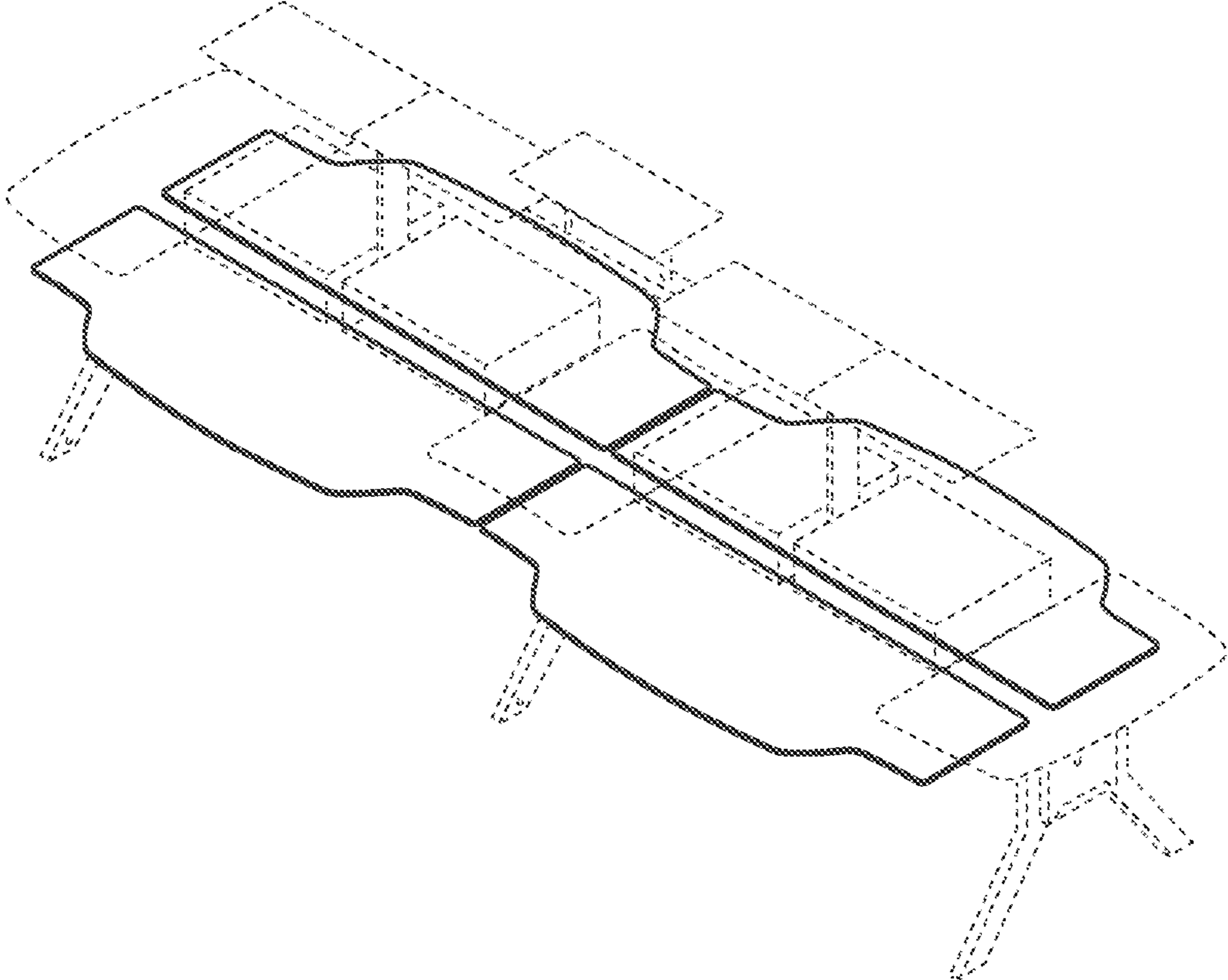


FIG. 9

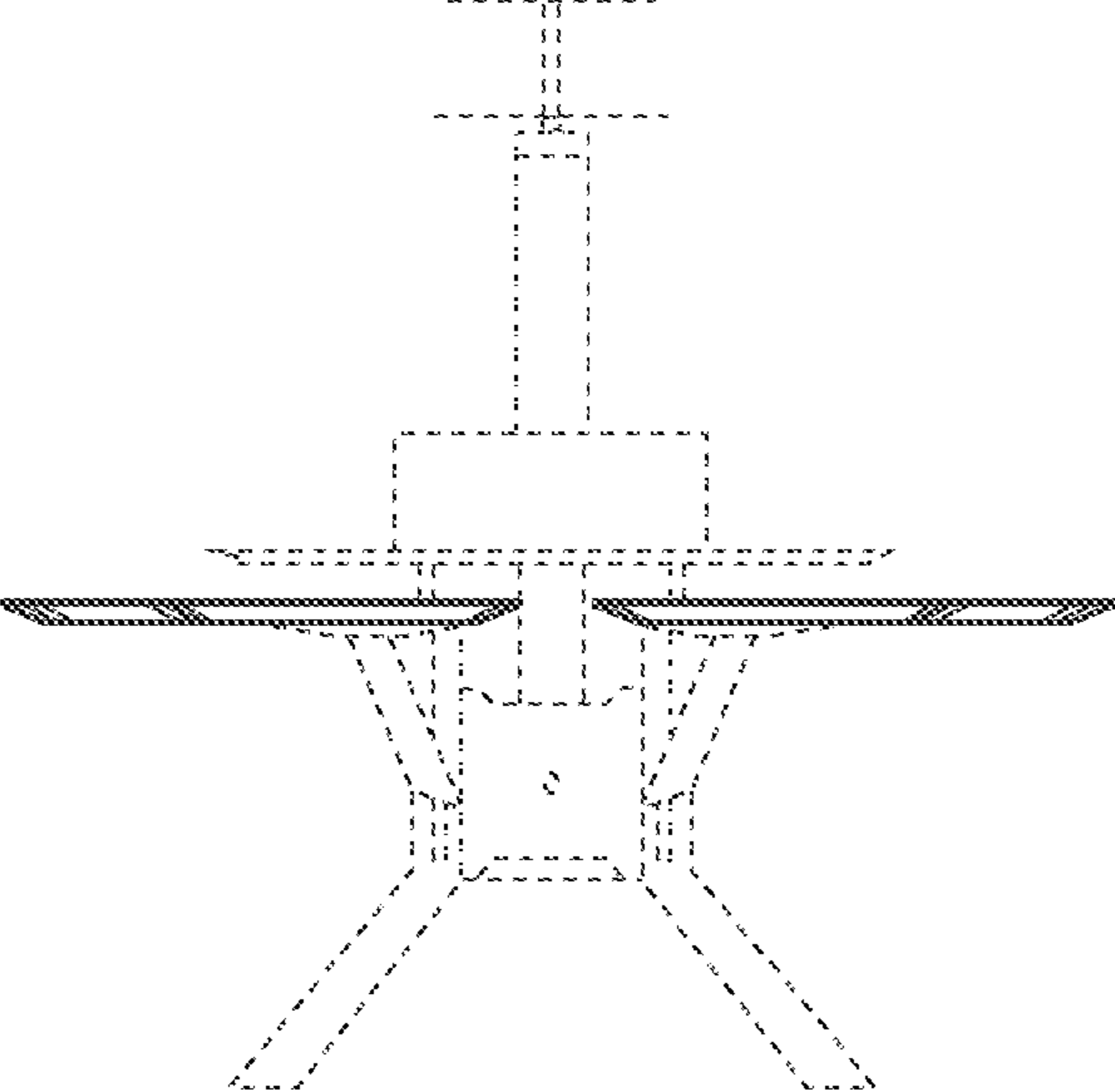


FIG. 10

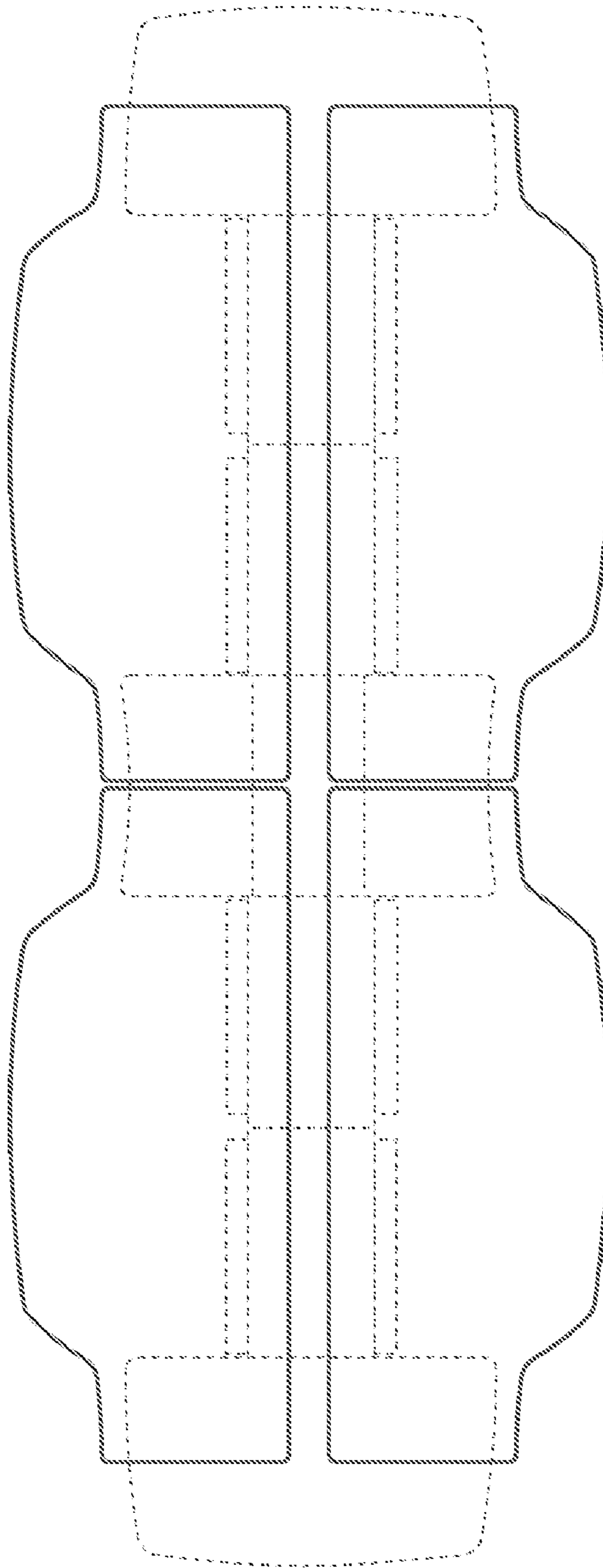


FIG. 11

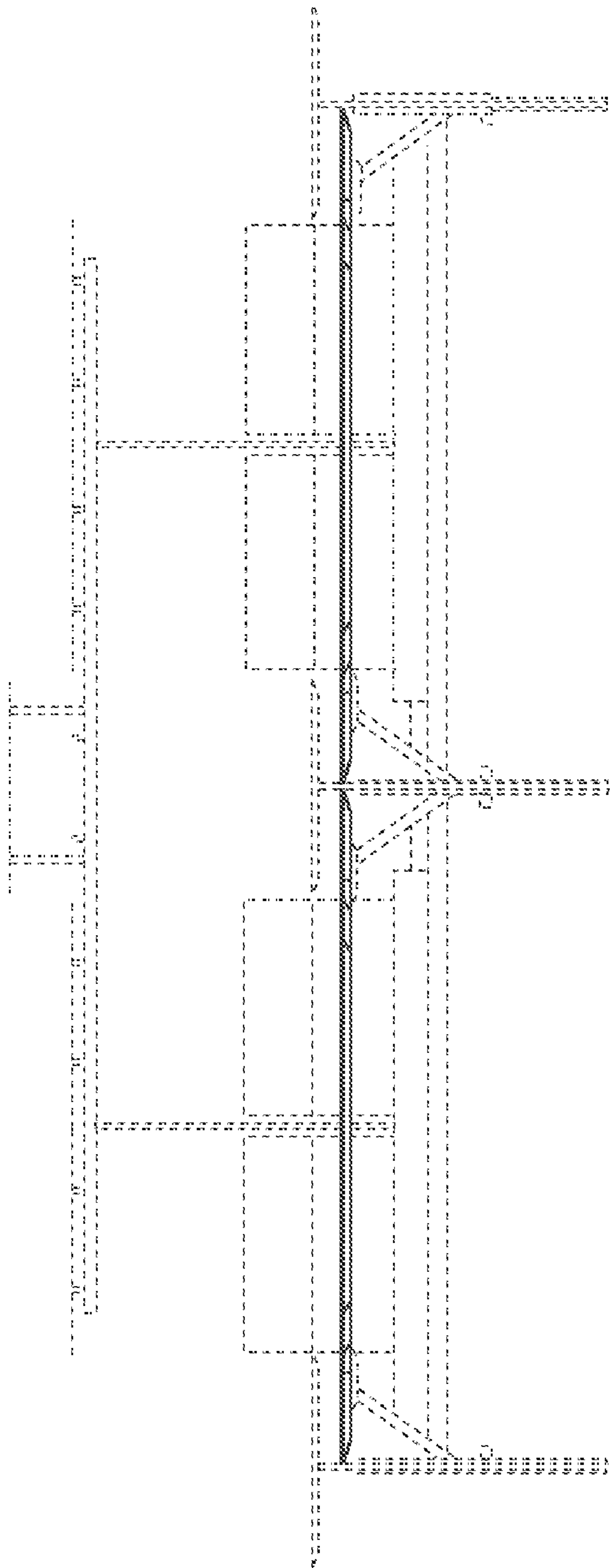


FIG. 12

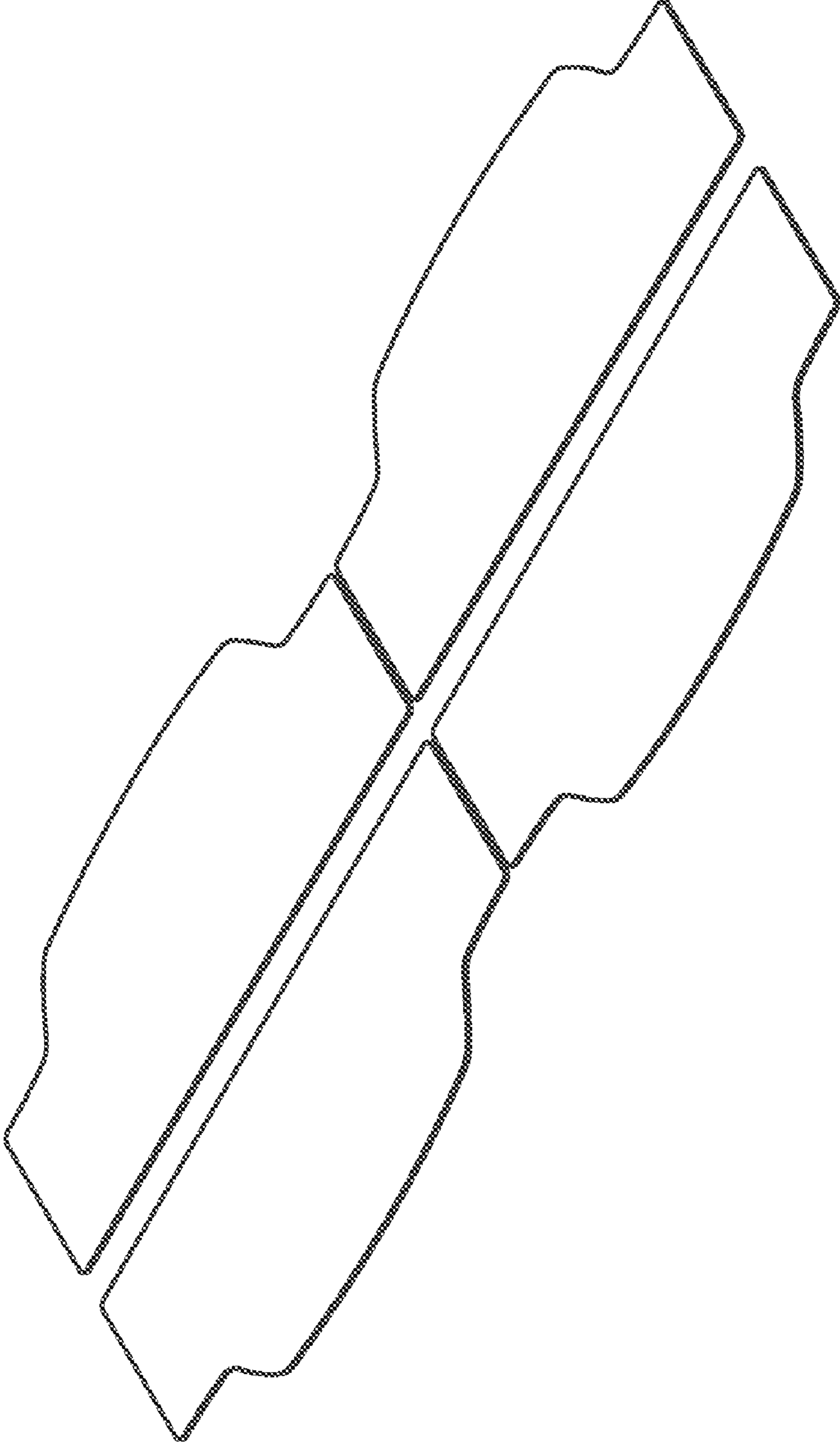


FIG. 13

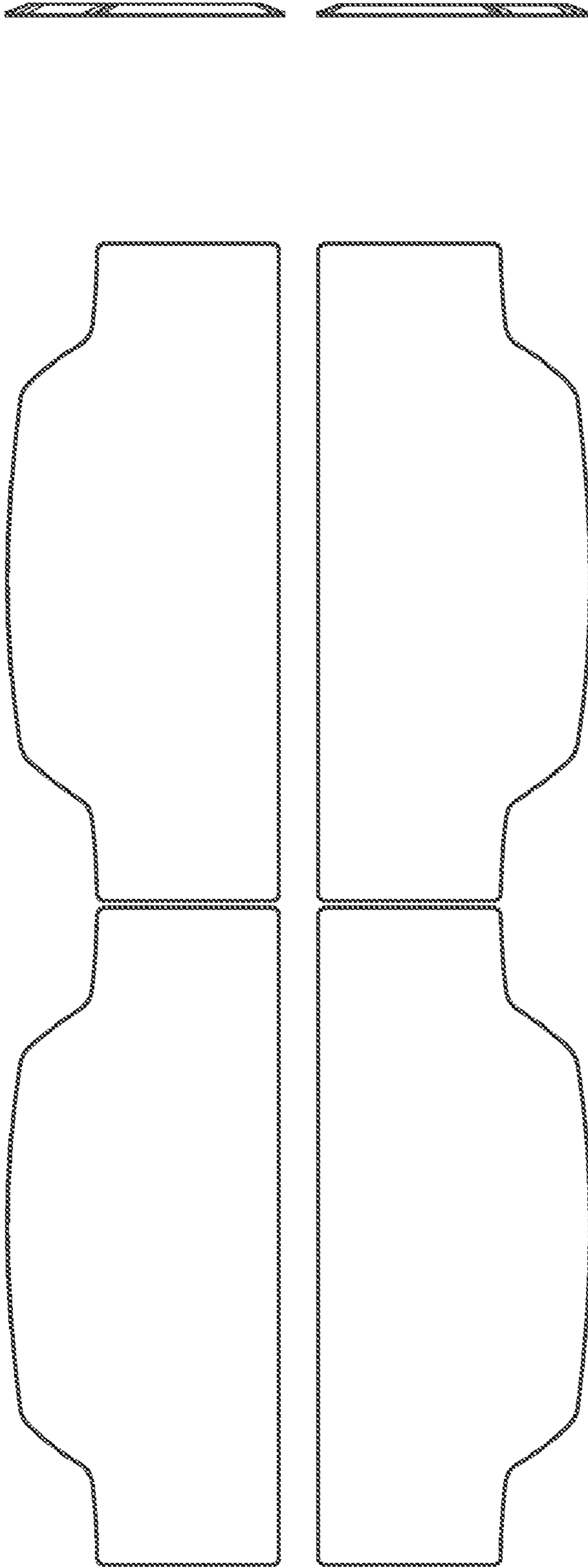


FIG. 16

FIG. 14



FIG. 15

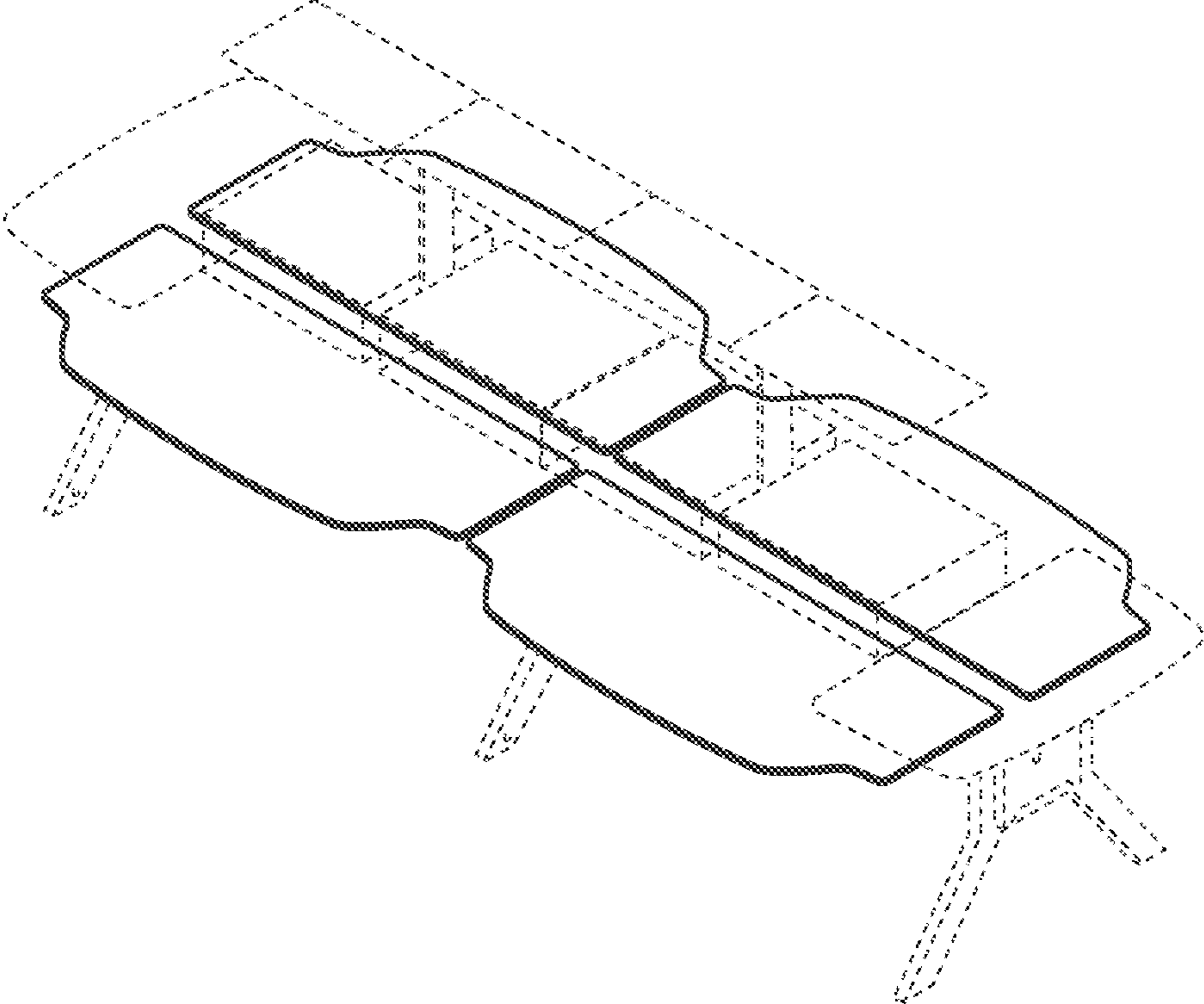


FIG. 17

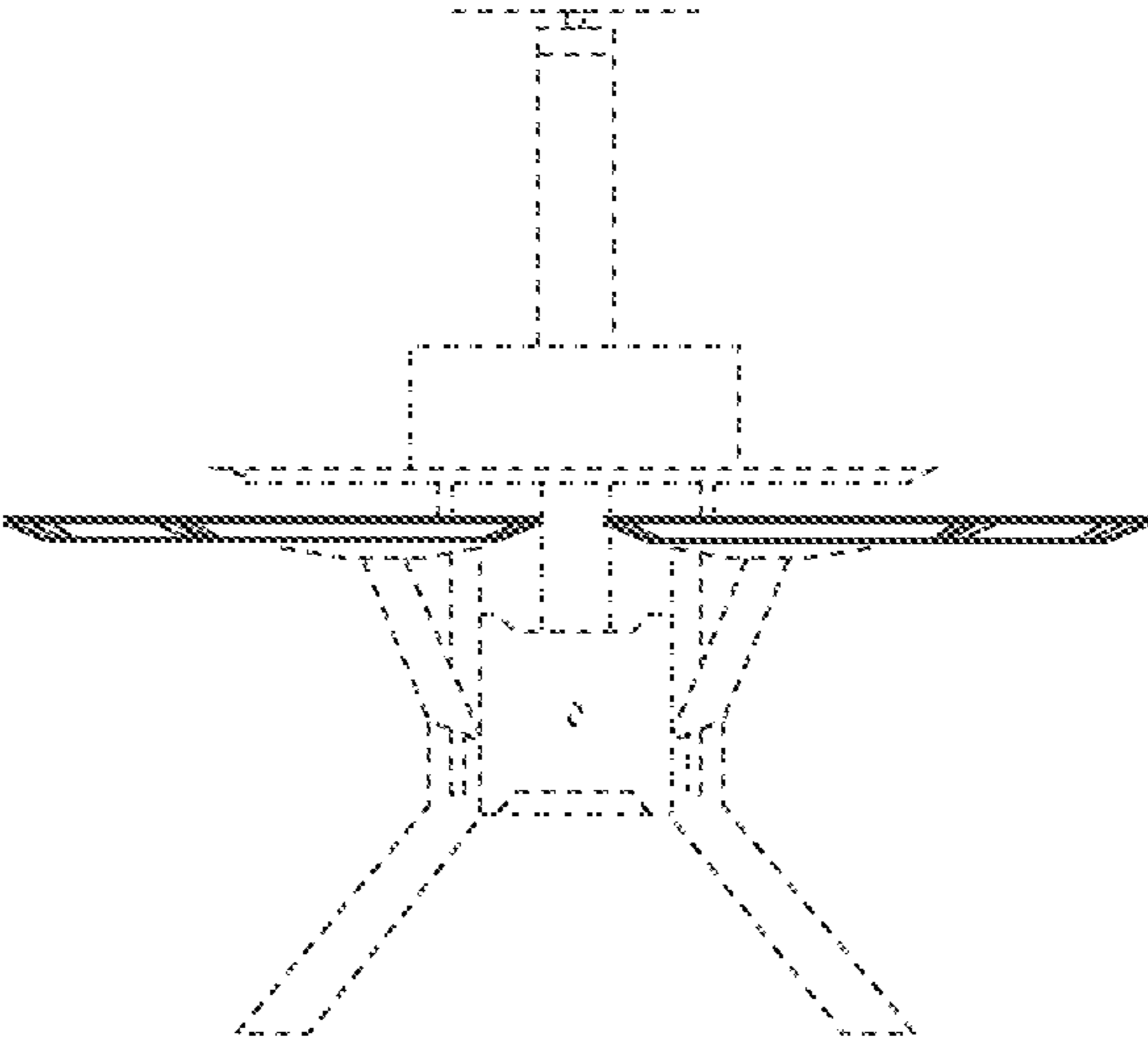


FIG. 18

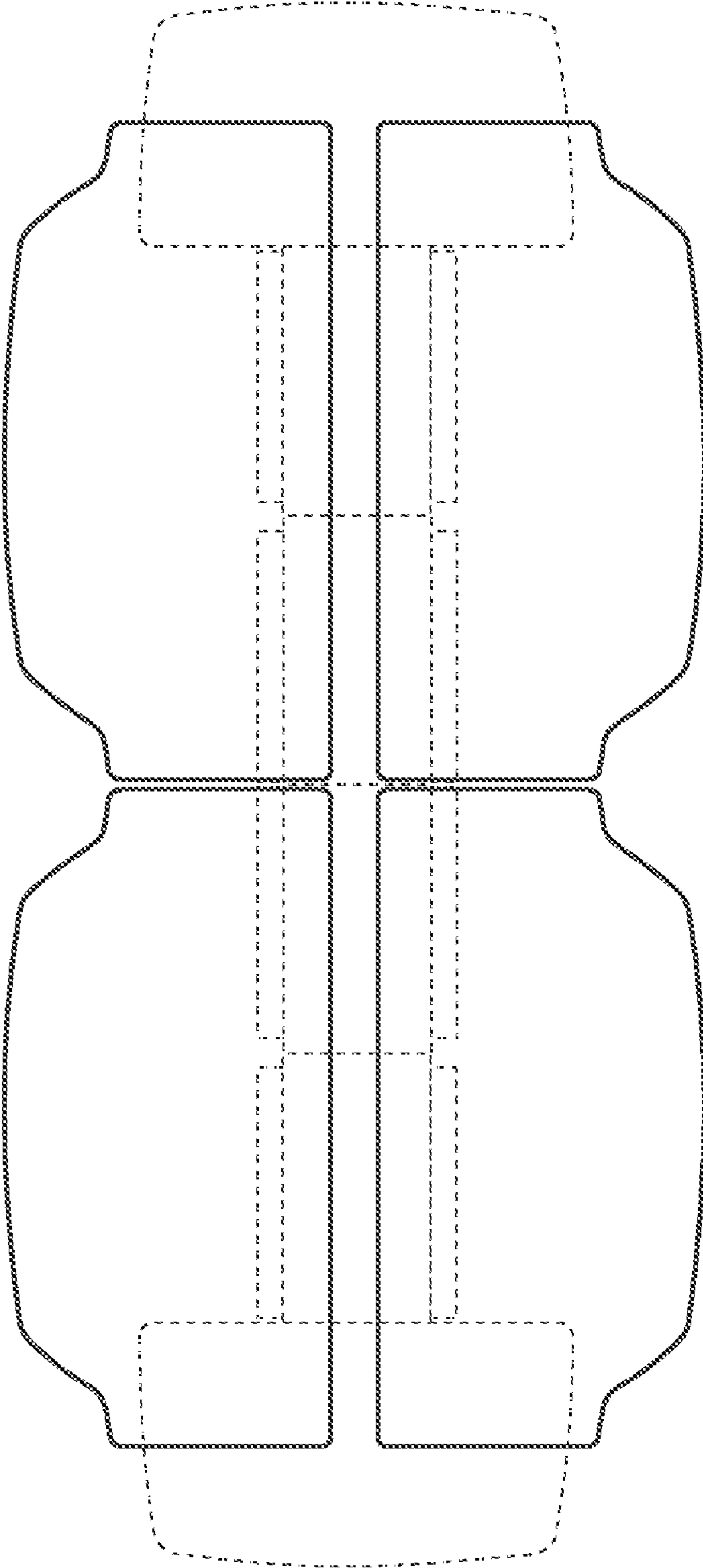


FIG. 19

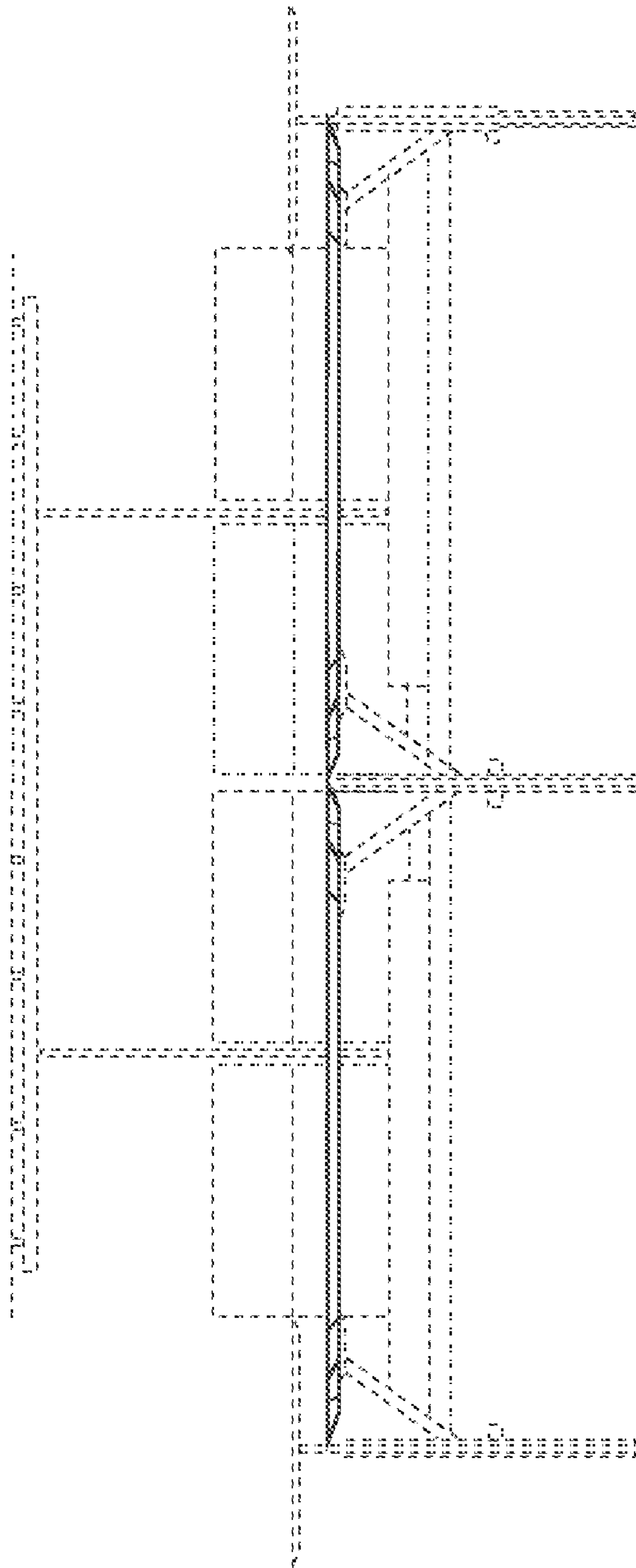


FIG. 20

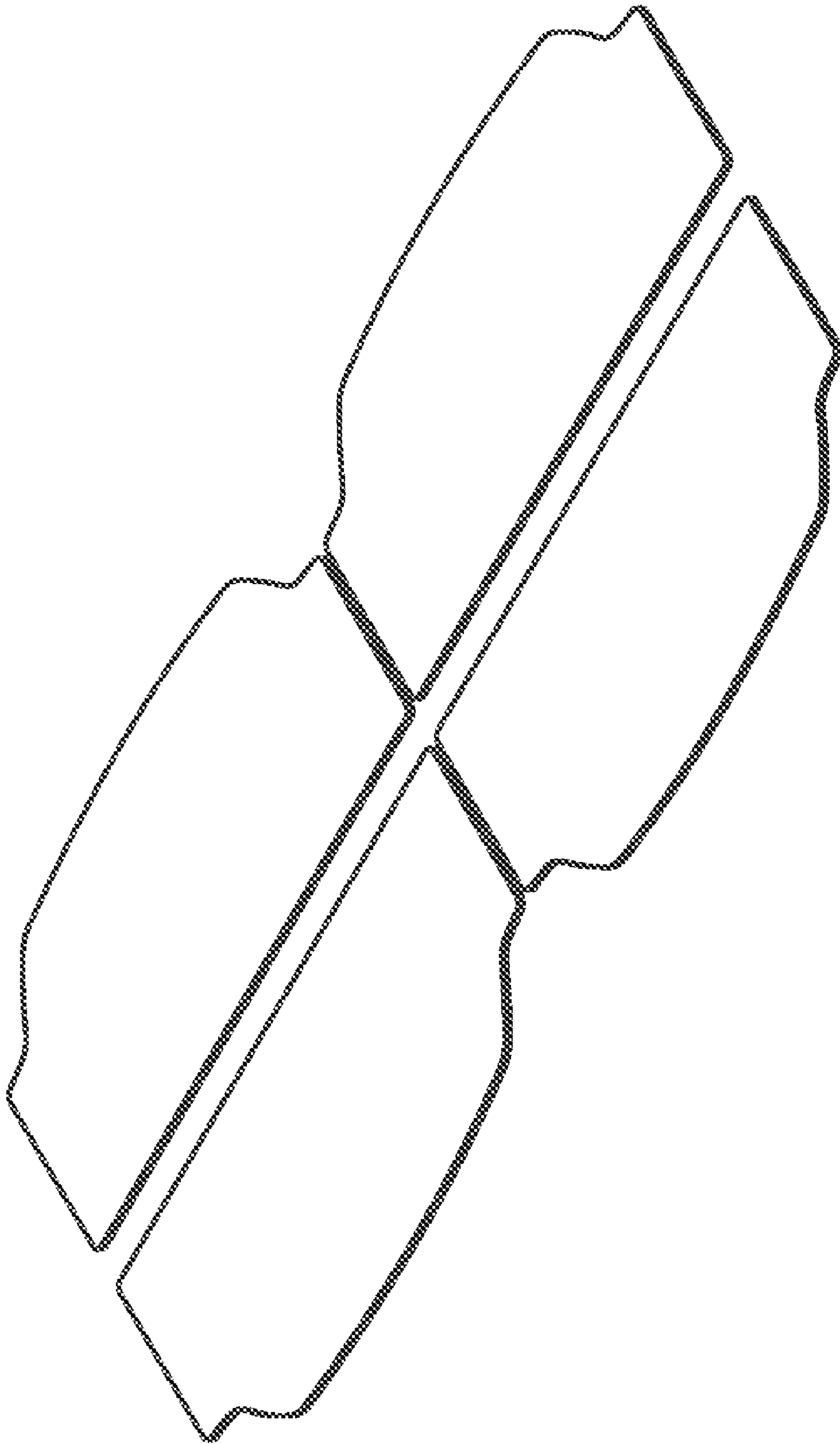


FIG. 21

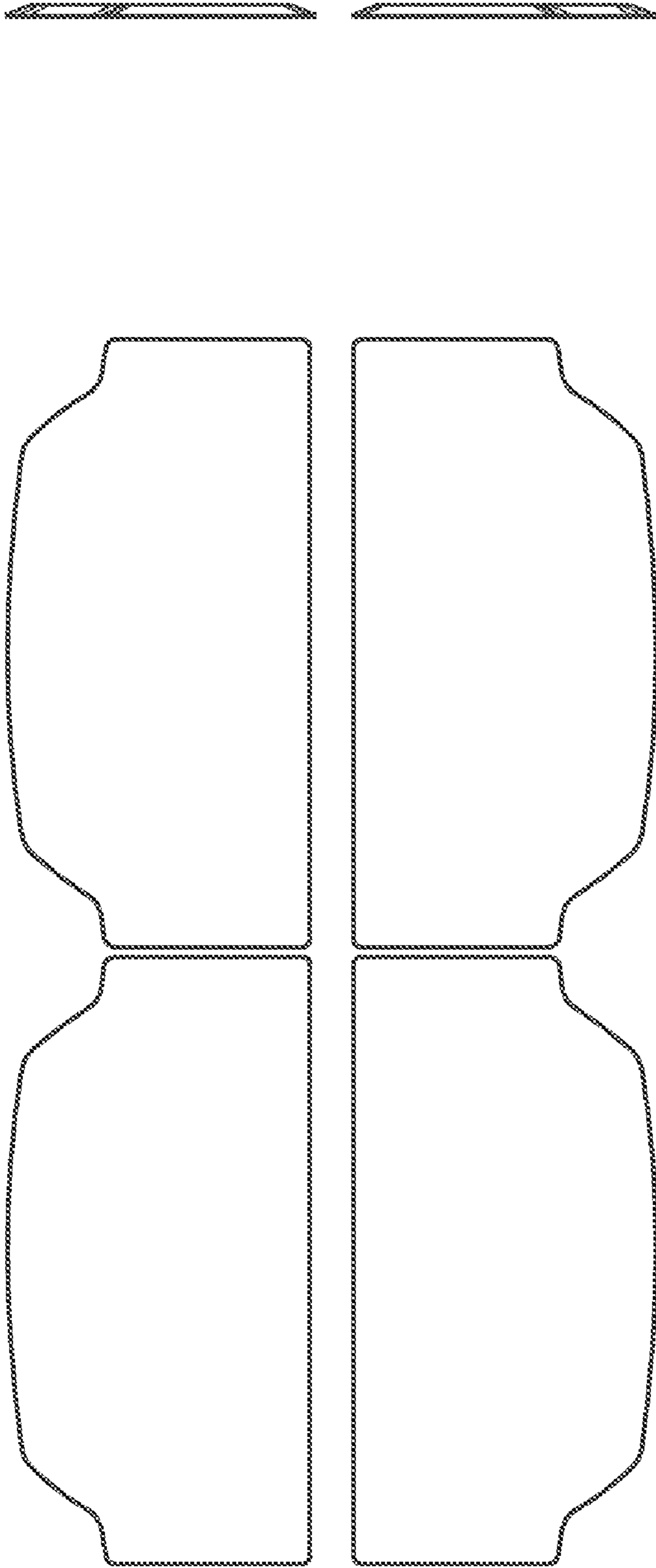


FIG. 22

FIG. 24



FIG. 23