

US00D569141S

(12) **United States Design Patent**
Tobias

(10) **Patent No.:** **US D569,141 S**
(45) **Date of Patent:** **** May 20, 2008**

(54) **SHELF ORGANIZING DEVICE**
(75) Inventor: **Lester R. Tobias**, Malibu, CA (US)
(73) Assignee: **Bindertrax, Inc.**, Los Angeles, CA (US)
(**) Term: **14 Years**
(21) Appl. No.: **29/248,780**
(22) Filed: **Sep. 1, 2006**

3,358,956 A * 12/1967 Thorton 248/243
3,780,876 A 12/1973 Elkins
3,868,916 A * 3/1975 Ohlson 108/103
3,921,811 A * 11/1975 Dameron 211/43
4,208,818 A * 6/1980 Butcher 40/650
D256,301 S * 8/1980 Cutts D6/509
4,327,838 A 5/1982 Cooke
4,503,982 A * 3/1985 Lewis 211/184
4,648,515 A * 3/1987 Merritt 211/43
4,775,058 A * 10/1988 Yatsko 211/184
5,072,835 A * 12/1991 Price et al. 211/40

(Continued)

(51) **LOC (8) Cl.** **06-06**
(52) **U.S. Cl.** **D6/509**
(58) **Field of Classification Search** D6/320-324,
D6/411, 475, 449, 509, 547, 552, 419, 566-567,
D6/572, 574, 580; D8/71, 352, 367-373,
D8/376, 380-381; D20/10, 43; D25/117,
D25/119, 133; 211/14, 34, 35, 86, 87, 105.1;
248/222.51-222.53, 235, 243, 247, 250,
248/298.1
See application file for complete search history.

* cited by examiner

Primary Examiner—Mimosa De
Assistant Examiner—Ricky Pham
(74) *Attorney, Agent, or Firm*—Paul, Hastings, Janofsky &
Walker LLP

(57) **CLAIM**

The ornamental design for a shelf organizing device, as shown and described.

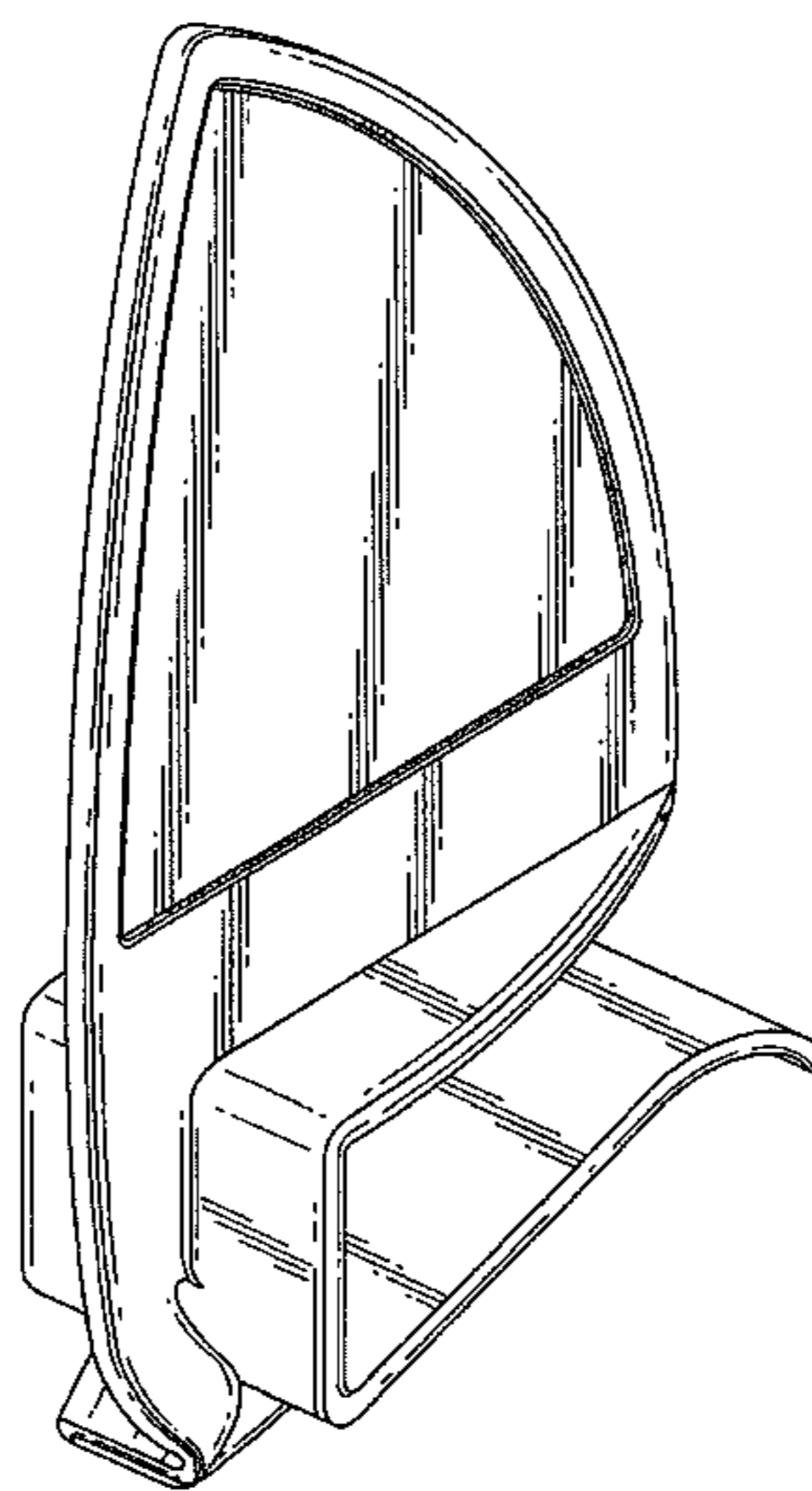
(56) **References Cited**
U.S. PATENT DOCUMENTS

DESCRIPTION

504,233 A * 8/1893 McVey et al. 211/43
575,294 A * 1/1897 Borden 211/184
679,054 A * 7/1901 Kraushaar 211/184
1,049,726 A * 1/1913 Johnson 211/195
1,277,827 A * 9/1918 Barber 135/137
1,396,910 A * 11/1921 Annable 40/642.02
1,750,576 A * 3/1930 Cubberley 211/11
1,806,642 A 5/1931 Ohnstrand
2,884,139 A * 4/1959 Dunham 211/184
2,894,303 A * 7/1959 Armstrong et al. 403/205
2,902,175 A * 9/1959 Shoffner 108/103
3,139,186 A * 6/1964 George 211/55
3,285,429 A 11/1966 Propst
3,298,538 A 1/1967 Ganz et al.
3,300,057 A * 1/1967 Wheaton 211/184
3,301,408 A * 1/1967 Craine 211/184
3,308,964 A * 3/1967 Pistone 211/184

FIG. 1 is a side perspective view of the shelf organizing device;
FIG. 2 is another side perspective view of the shelf organizing device;
FIG. 3 is a right side elevation view of the shelf organizing device;
FIG. 4 is a left side elevation view of the shelf organizing device;
FIG. 5 is a front elevation view of the shelf organizing device;
FIG. 6 is a rear elevation view of the shelf organizing device;
FIG. 7 is top plan view of the shelf organizing device; and,
FIG. 8 is a bottom plan view of the shelf organizing device.

1 Claim, 5 Drawing Sheets



US D569,141 S

Page 2

U.S. PATENT DOCUMENTS

5,074,420	A *	12/1991	Cappel, III	211/42	D362,132	S *	9/1995	Ratliff	D6/419
5,161,704	A	11/1992	Valiulis			5,657,702	A	8/1997	Ribeyrolles		
5,217,124	A	6/1993	Stone			5,664,691	A *	9/1997	Boivin-Paradis	211/184
5,275,297	A	1/1994	Dokoupil et al.			D454,055	S *	3/2002	Belokin et al.	D8/373
5,287,974	A *	2/1994	Buday	211/184	D455,065	S *	4/2002	Berg	D8/371
5,341,945	A *	8/1994	Gibson	211/184	6,598,754	B2	7/2003	Weiles		
						D540,567	S *	4/2007	Chien	D6/449

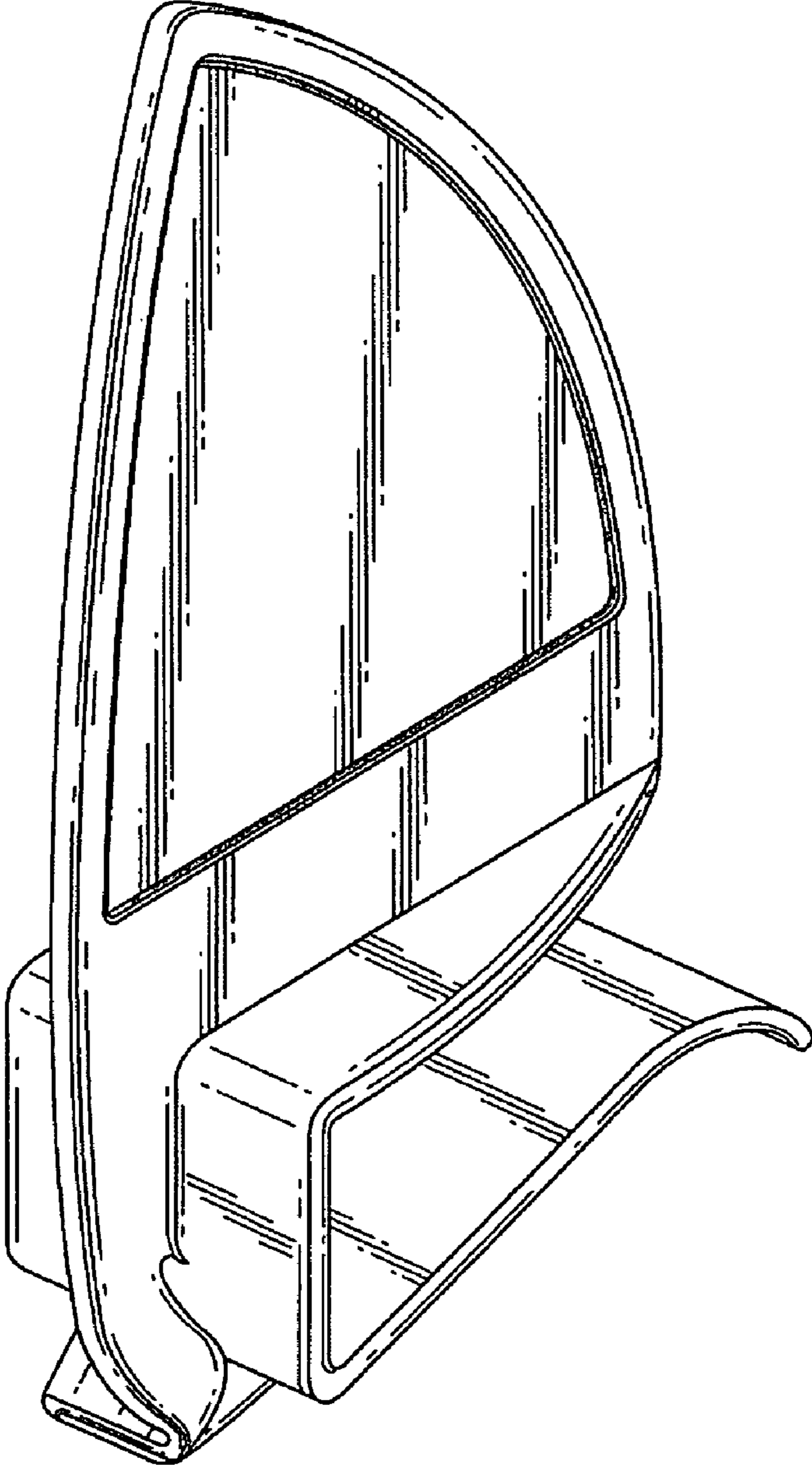


FIG. 1

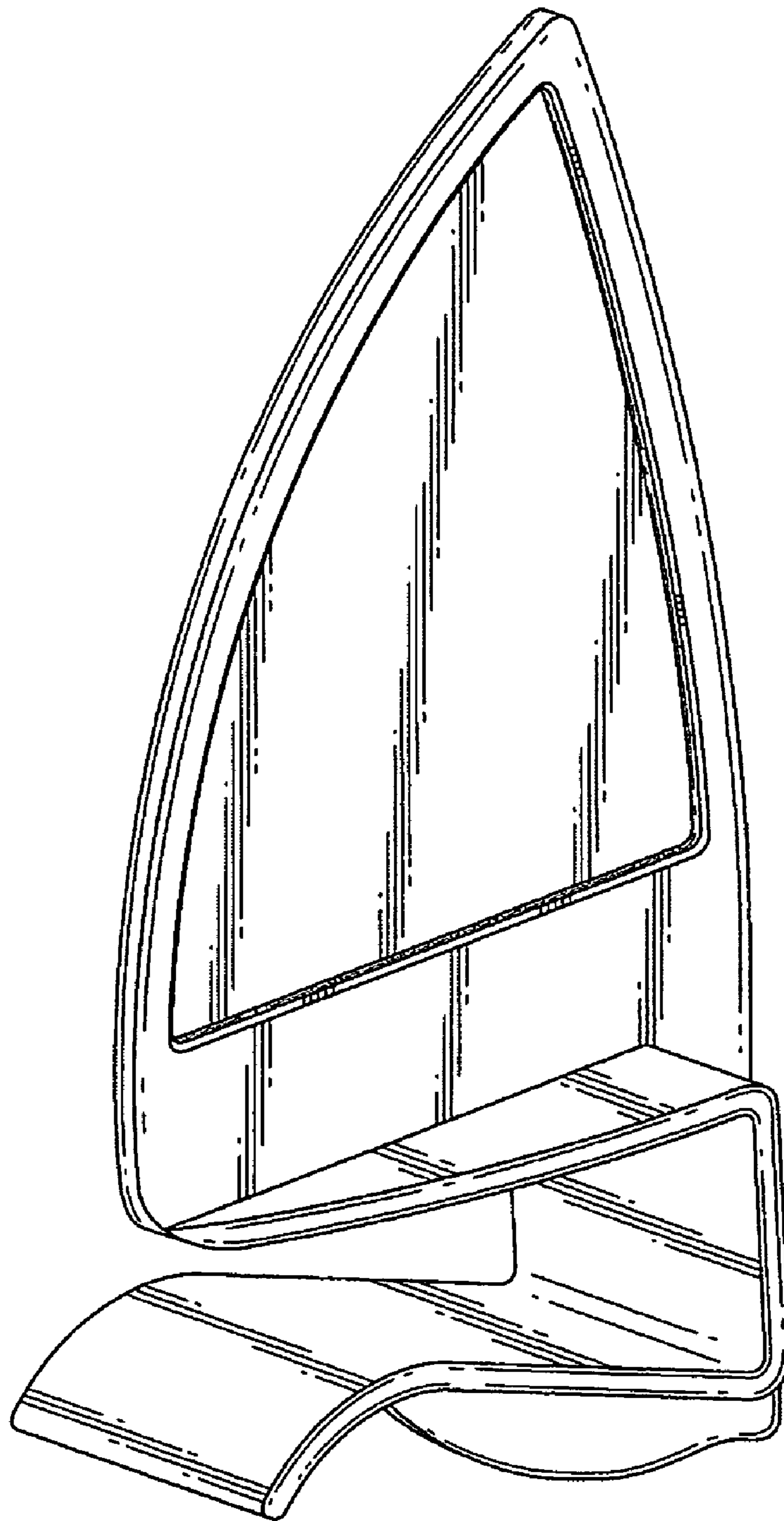


FIG. 2

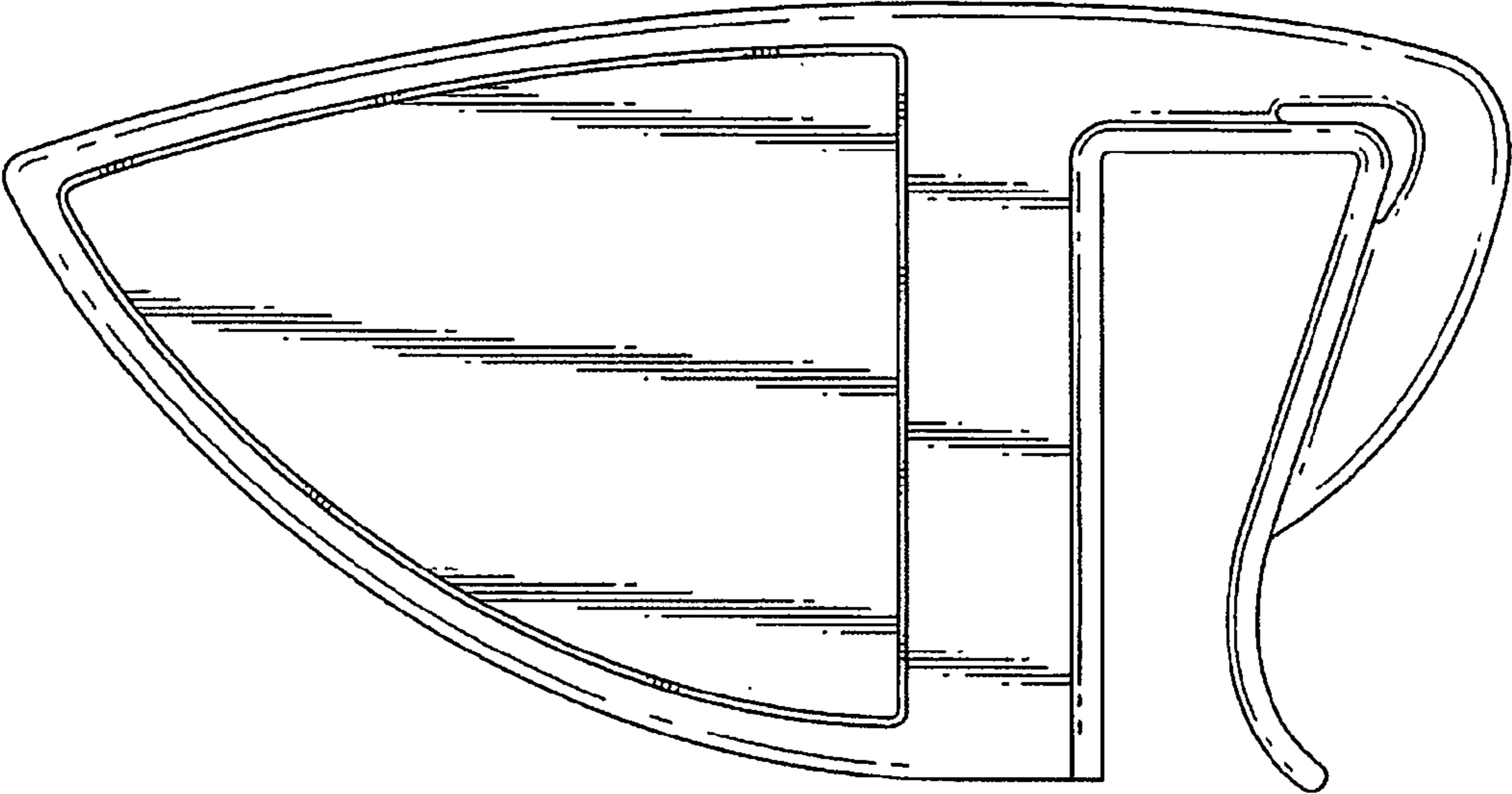


FIG. 4

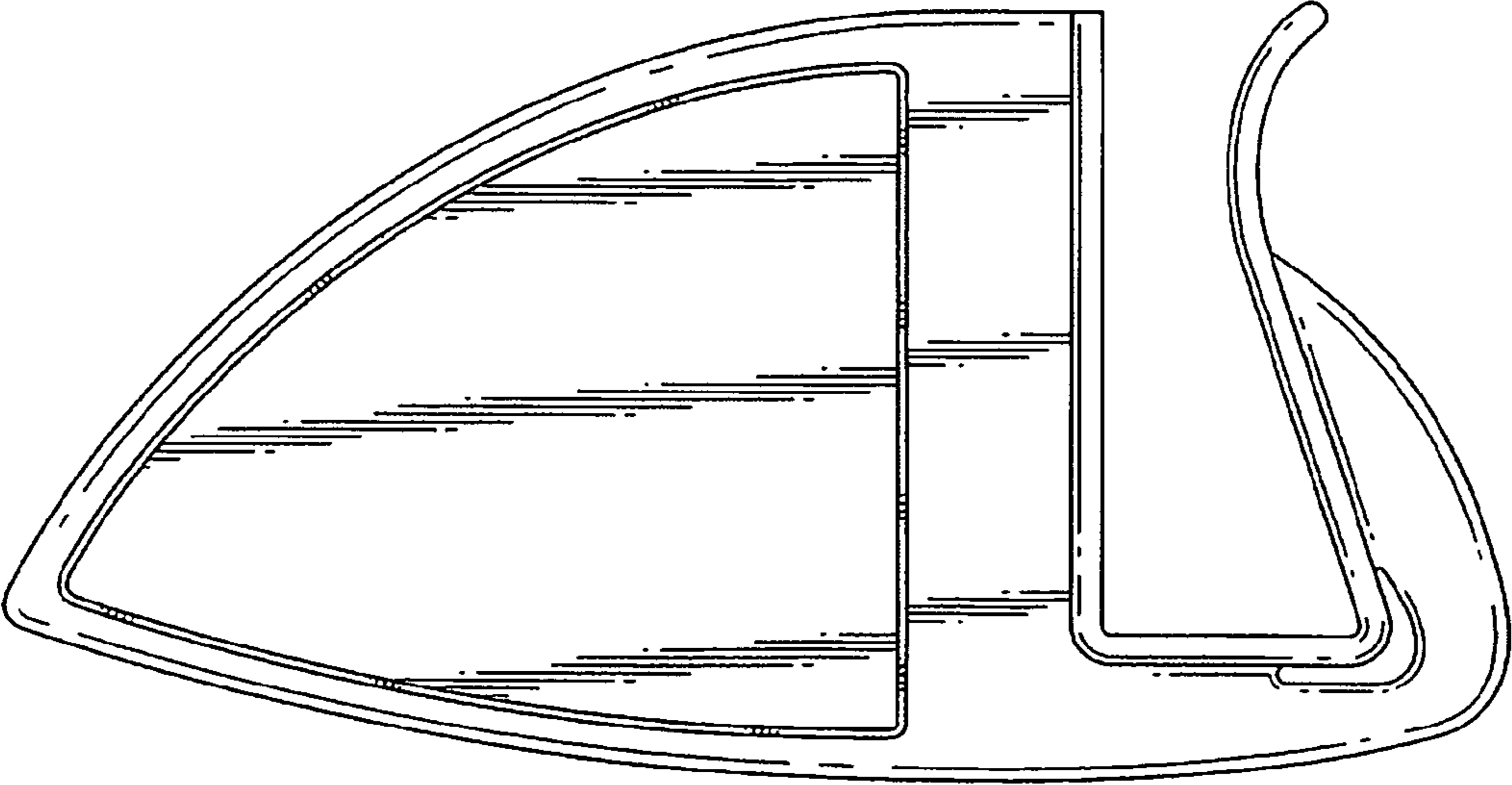


FIG. 3

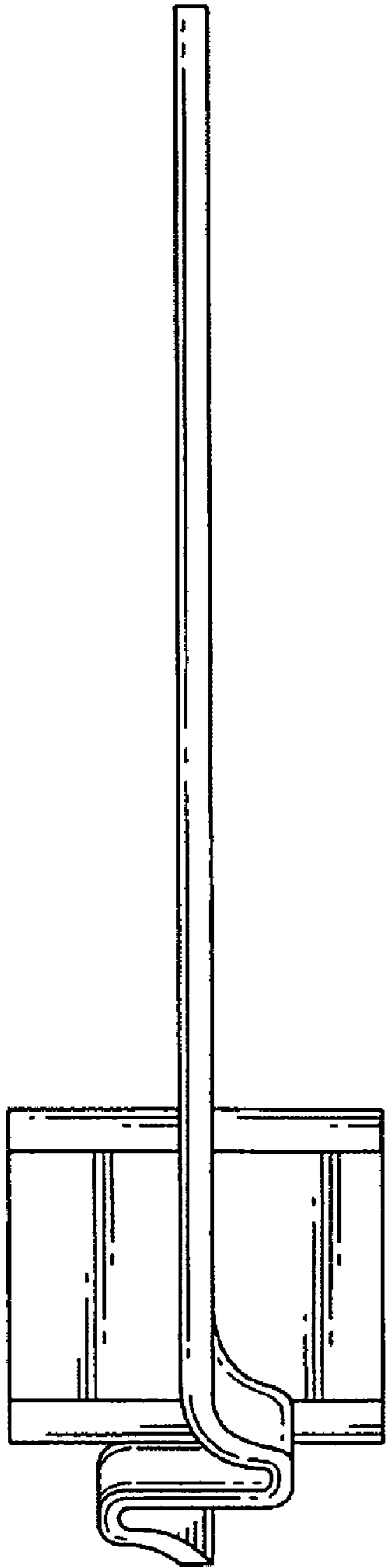


FIG. 5

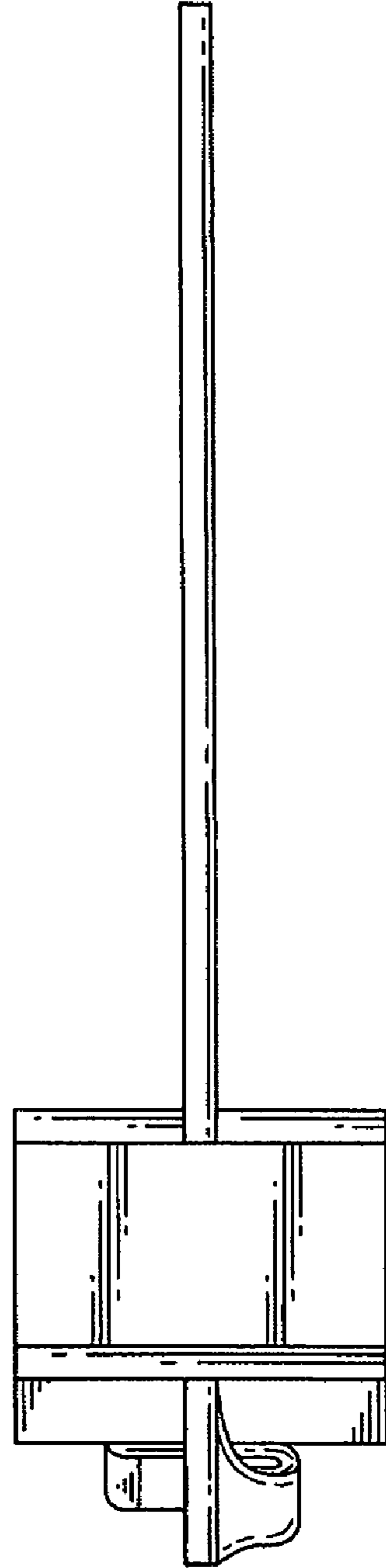


FIG. 6

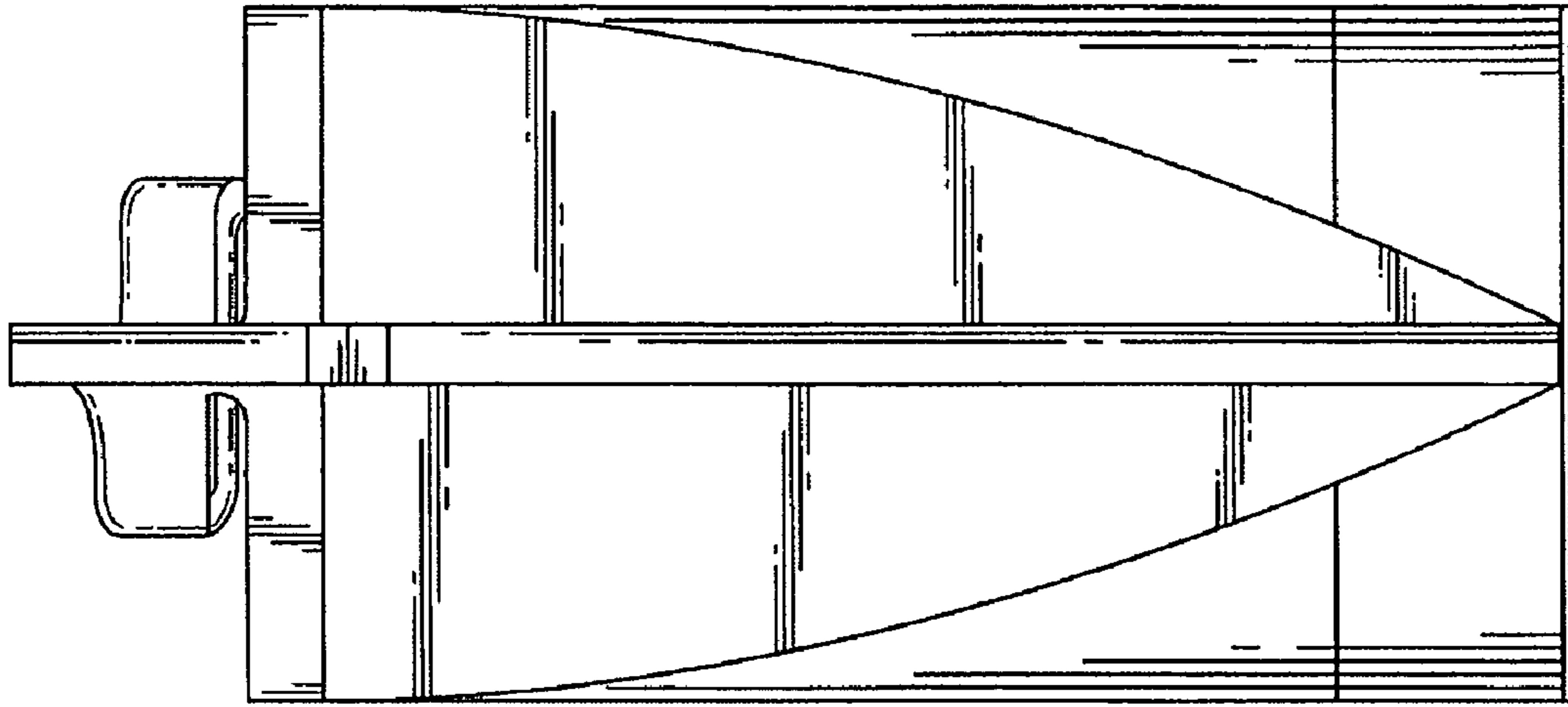


FIG. 7

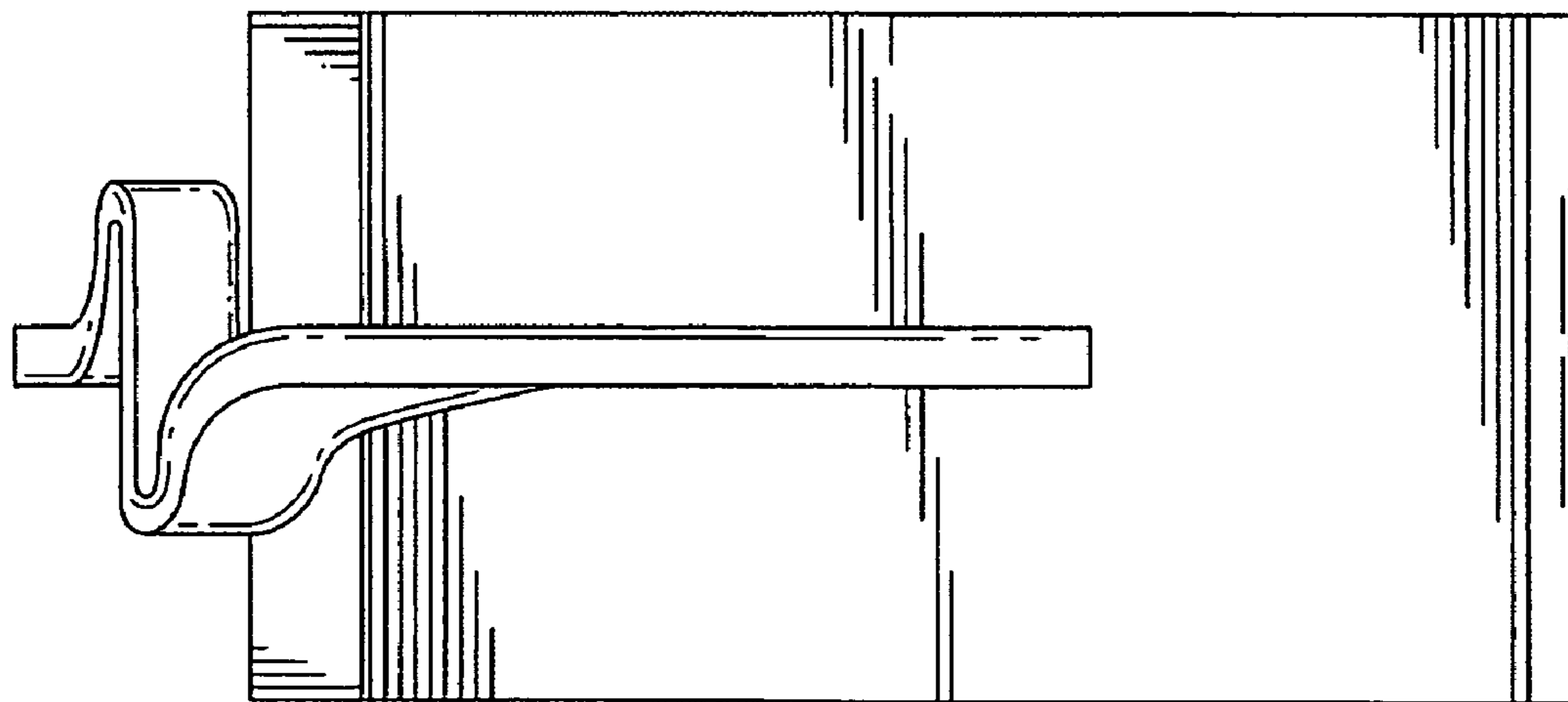


FIG. 8

UNITED STATES PATENT AND TRADEMARK OFFICE
CERTIFICATE OF CORRECTION

PATENT NO. : Des. 569,141 S
APPLICATION NO. : 29/248780
DATED : May 20, 2008
INVENTOR(S) : Lester R. Tobias

Page 1 of 1

It is certified that error appears in the above-identified patent and that said Letters Patent is hereby corrected as shown below:

On the Title Page, Item (73) should read

--(73) Assignee, replace "Bindertrax, Inc." with --BinderTrak, Inc.--

Signed and Sealed this

Fifth Day of August, 2008

A handwritten signature in black ink that reads "Jon W. Dudas". The signature is written in a cursive style with a large, looped initial "J".

JON W. DUDAS

Director of the United States Patent and Trademark Office