

US00D569138S

(12) **United States Design Patent**
Siekmann

(10) **Patent No.:** **US D569,138 S**

(45) **Date of Patent:** **** May 20, 2008**

(54) **FURNITURE FRONT**

(75) Inventor: **Ulrich-Wilhelm Siekmann**, Löhne
(DE)

(73) Assignee: **Siematic Möbelwerke GmbH & Co.**
KG (DE)

(**) Term: **14 Years**

(21) Appl. No.: **29/242,939**

(22) Filed: **Nov. 16, 2005**

(30) **Foreign Application Priority Data**

May 25, 2005 (EM) 000350269

(51) **LOC (8) Cl.** **06-04**

(52) **U.S. Cl.** **D6/509**

(58) **Field of Classification Search** D6/509,
D6/494, 510, 492, 446, 332, 491, 300, 303,
D6/432, 445, 448; D25/48; D8/350-353;
312/109, 240, 245; D19/52

See application file for complete search history.

(56) **References Cited**

U.S. PATENT DOCUMENTS

D232,894 S * 9/1974 Dillen D6/494
D283,548 S * 4/1986 Naka D25/48
D338,718 S * 8/1993 Izzo D25/48
5,570,941 A * 11/1996 Rock et al. 312/334.6

D418,334 S * 1/2000 Brandon D6/492
D442,321 S * 5/2001 Cheng D26/102
D467,756 S * 12/2002 Mattick D6/446
D469,546 S * 1/2003 Lilie et al. D25/60
D473,405 S * 4/2003 Lenger D6/495
D476,176 S * 6/2003 Lenger D6/494
D488,648 S * 4/2004 Stanton D6/494
D510,830 S * 10/2005 Brandon D6/510
D541,137 S * 4/2007 Fabrizi D8/353

* cited by examiner

Primary Examiner—Elizabeth A. Albert

Assistant Examiner—Kelley A Donnelly

(74) *Attorney, Agent, or Firm*—Bourque and Associates

(57) **CLAIM**

The ornamental design for a furniture front, as shown and described.

DESCRIPTION

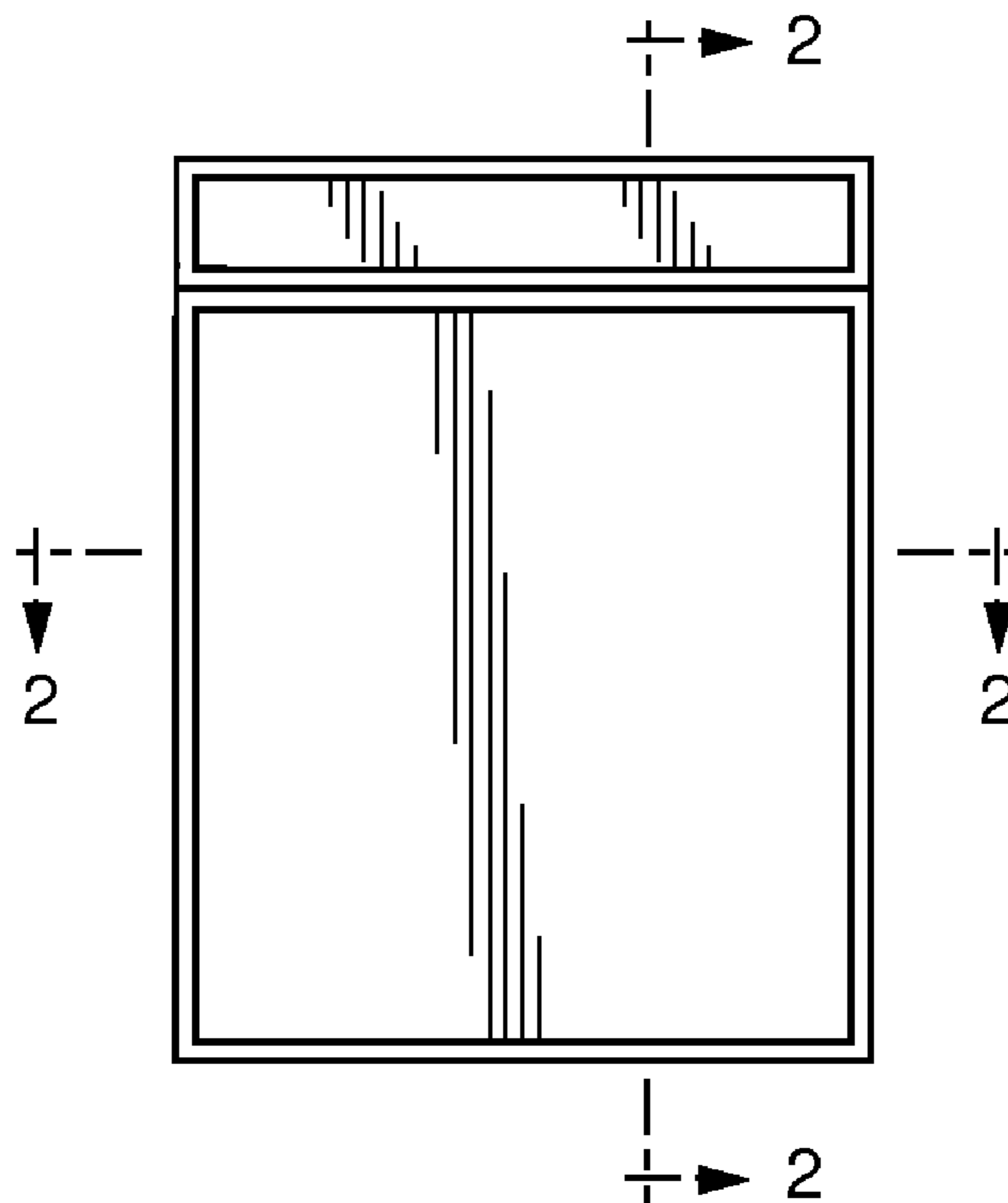
FIG. (1) is a front plan view of the furniture front according to the present invention;

FIG. (2) is an enlarged fragmentary cross sectional view taken along either of the lines 2—2 in FIG. 1;

FIG. (3) is an enlarged fragmentary front plan view of the corner 3 in FIG. 1; and,

FIG. (4) is an enlarged fragmentary perspective view of the corner 4 in FIG. 1.

1 Claim, 1 Drawing Sheet



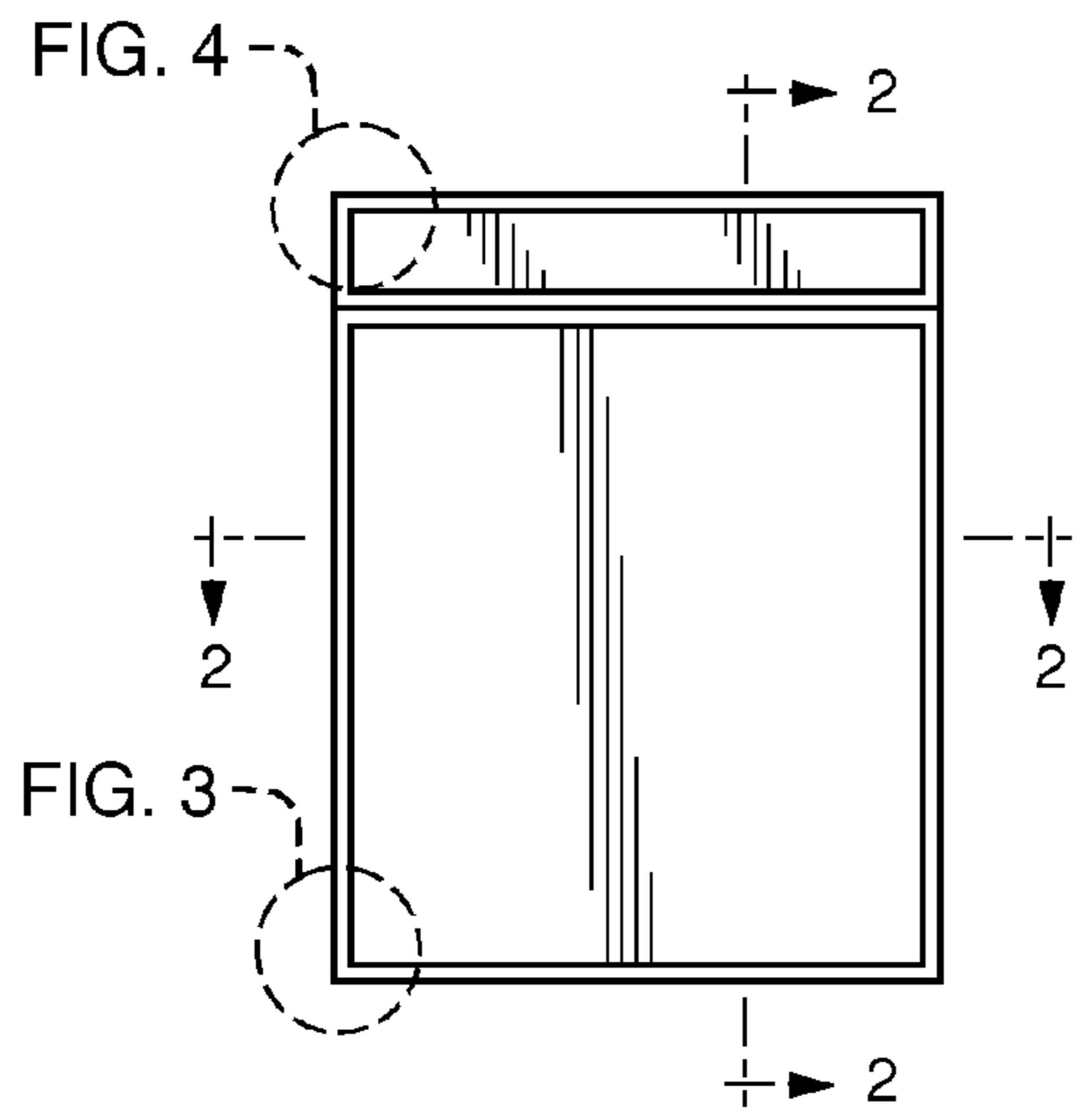


FIG. 1

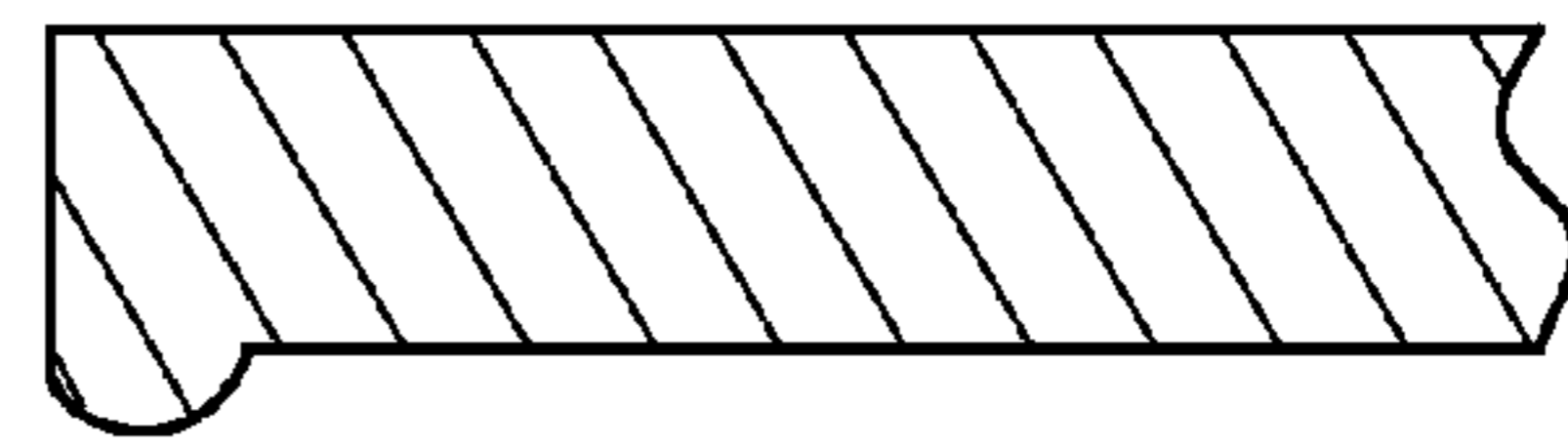


FIG. 2

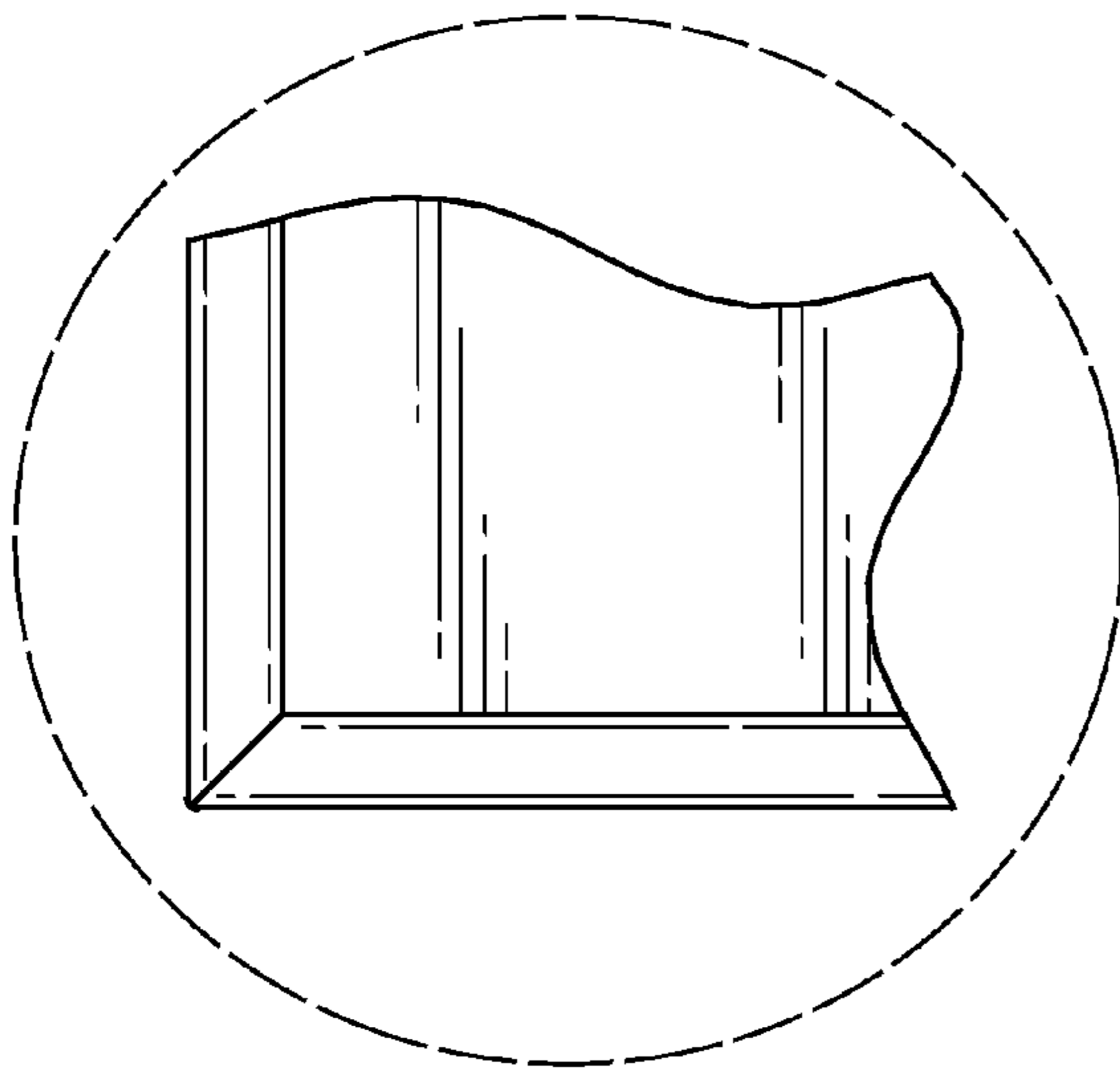


FIG. 3

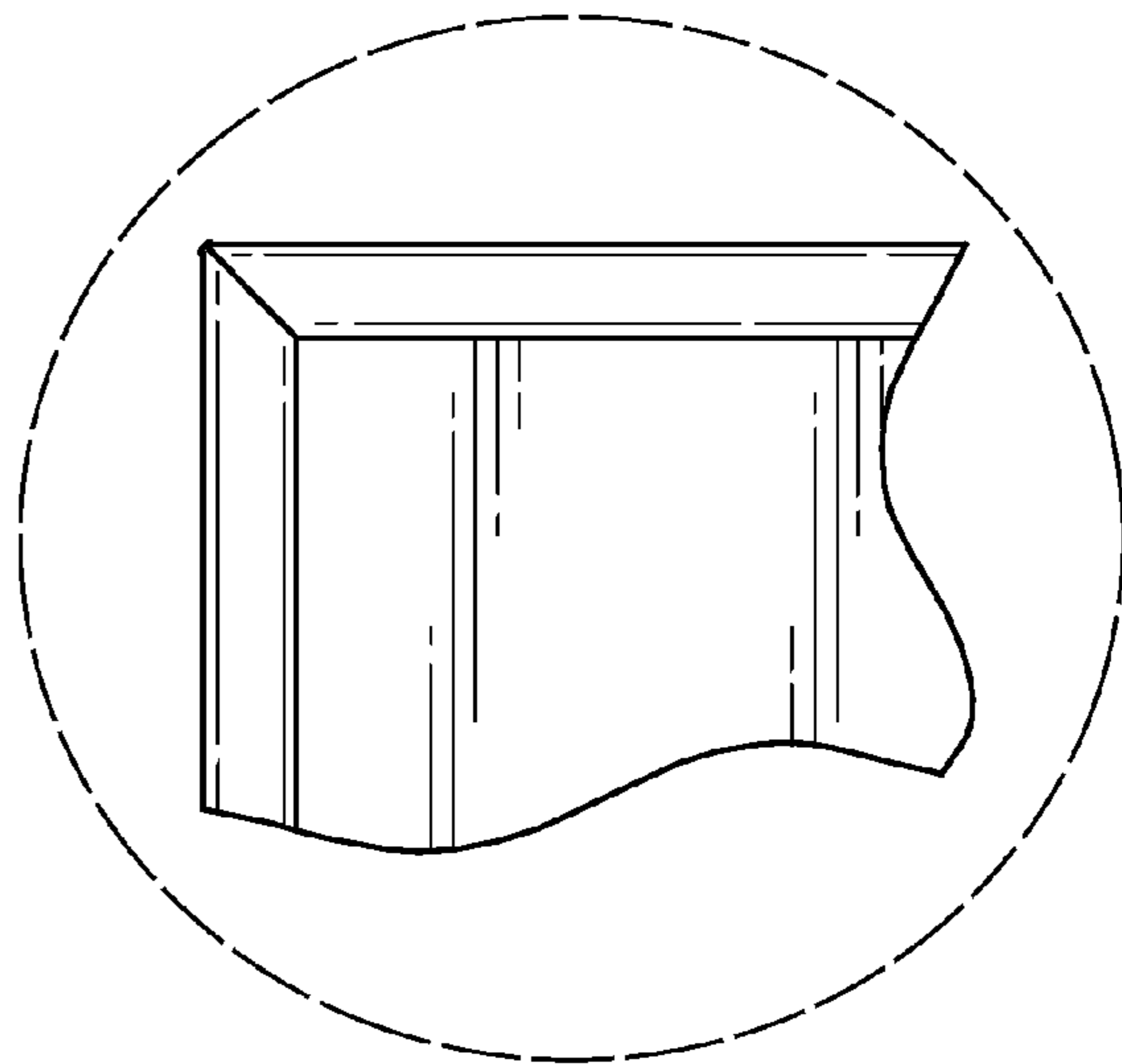


FIG. 4