

US00D569136S

(12) **United States Design Patent**  
**Pearsons et al.**

(10) **Patent No.:** **US D569,136 S**  
(45) **Date of Patent:** **\*\* May 20, 2008**

(54) **TABLE FOOT**

(76) Inventors: **Errol Pearsons**, 303 S. Second St.,  
Grand Haven, MI (US) 49417; **Paul**  
**Koning**, 6434 Oakridge Dr., Holland,  
MI (US) 49423

(\*\*) Term: **14 Years**

(21) Appl. No.: **29/297,899**

(22) Filed: **Nov. 21, 2007**

**Related U.S. Application Data**

(62) Division of application No. 29/257,523, filed on Apr.  
5, 2006, now Pat. No. Des. 555,945.

(51) **LOC (8) Cl.** ..... **06-06**

(52) **U.S. Cl.** ..... **D6/498**

(58) **Field of Classification Search** ..... D6/480-489,  
D6/495-499, 366; 108/150, 151, 155, 156,  
108/157.1, 161, 50.01, 50.02; 248/188, 188.1,  
248/188.7, 188.8

See application file for complete search history.

(56) **References Cited**

**U.S. PATENT DOCUMENTS**

D132,876 S *	6/1942	Cooper	.....	D6/483
D207,958 S *	6/1967	Jakobsen	.....	D6/487
D250,373 S *	11/1978	Prizlow et al.	.....	D6/366
D261,078 S *	10/1981	Wilson	.....	D6/366
D276,864 S	12/1984	Ponzellini		
D284,534 S	7/1986	Montenecourt		
D296,635 S	7/1988	Kelley et al.		
D314,299 S	2/1991	Diffrient		
D324,615 S	3/1992	Diffrient		
D334,857 S	4/1993	Miller		
D380,632 S	7/1997	Schacht		

D409,419 S *	5/1999	Wilkinson	.....	D6/486
D414,357 S	9/1999	Fu		
D431,739 S	10/2000	Rives		
D472,079 S *	3/2003	Chen	.....	D6/498
6,647,900 B1	11/2003	Kopish		
6,662,731 B2 *	12/2003	Teppo et al.	.....	108/6
D494,387 S *	8/2004	McDiarmid	.....	D6/498
D495,537 S *	9/2004	Fu	.....	D6/366
D498,953 S	11/2004	Strong		
D499,905 S	12/2004	Grosfillex		
D505,813 S	6/2005	McBrayer, Jr. et al.		
D526,822 S *	8/2006	Chen et al.	.....	D6/498

\* cited by examiner

*Primary Examiner*—Janice E Seeger

(74) *Attorney, Agent, or Firm*—Robert K. Roth; Miller,  
Canfield Paddock and Stone

(57) **CLAIM**

The ornamental design for a table foot, as shown and  
described.

**DESCRIPTION**

FIG. 1 is a perspective view of a table foot, showing my new  
design;

FIG. 2 is a top view of the table foot of FIG. 1.

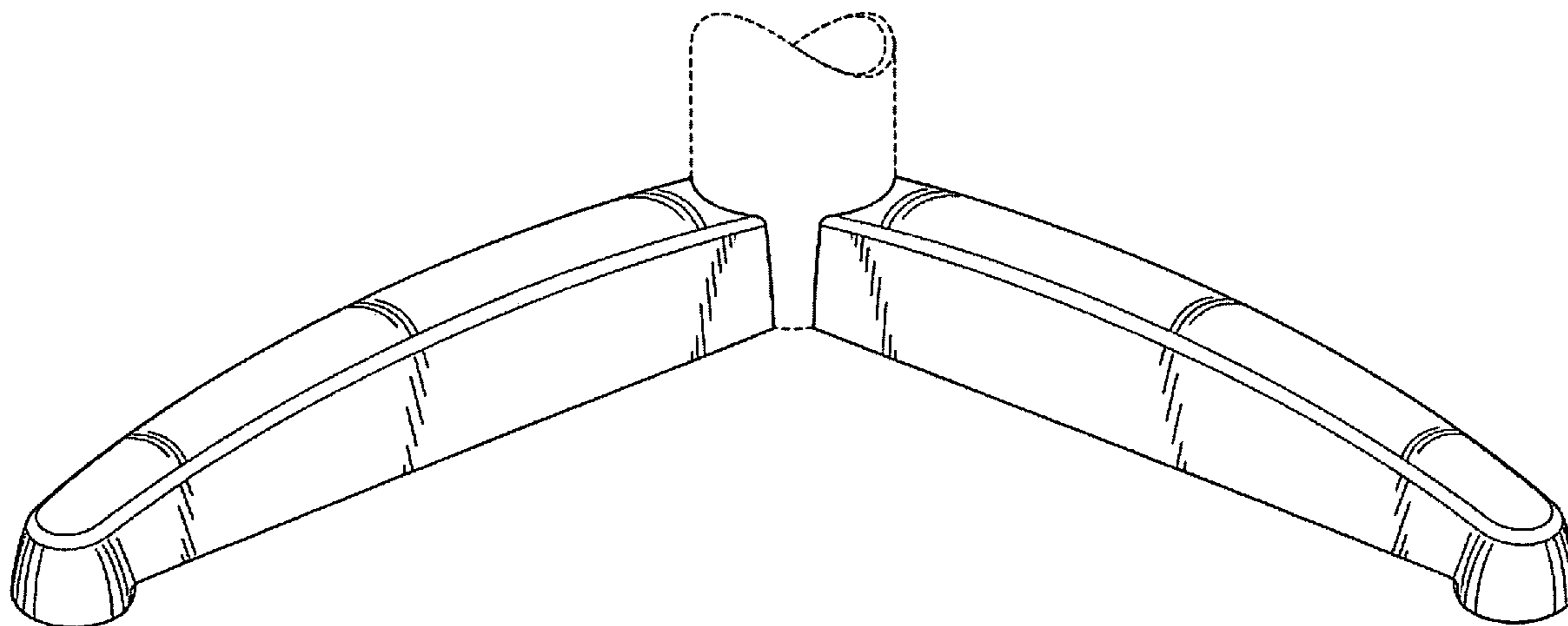
FIG. 3 is a first side view of the table foot of FIG. 1, showing  
both feet.

FIG. 4 is a second side view of the table foot of FIG. 1,  
showing both feet; and,

FIG. 5 is a third side view of the table foot of FIG. 1, with  
only one table foot visible.

The broken lines are for environmental purposes only and  
form no part of the claimed design.

**1 Claim, 3 Drawing Sheets**



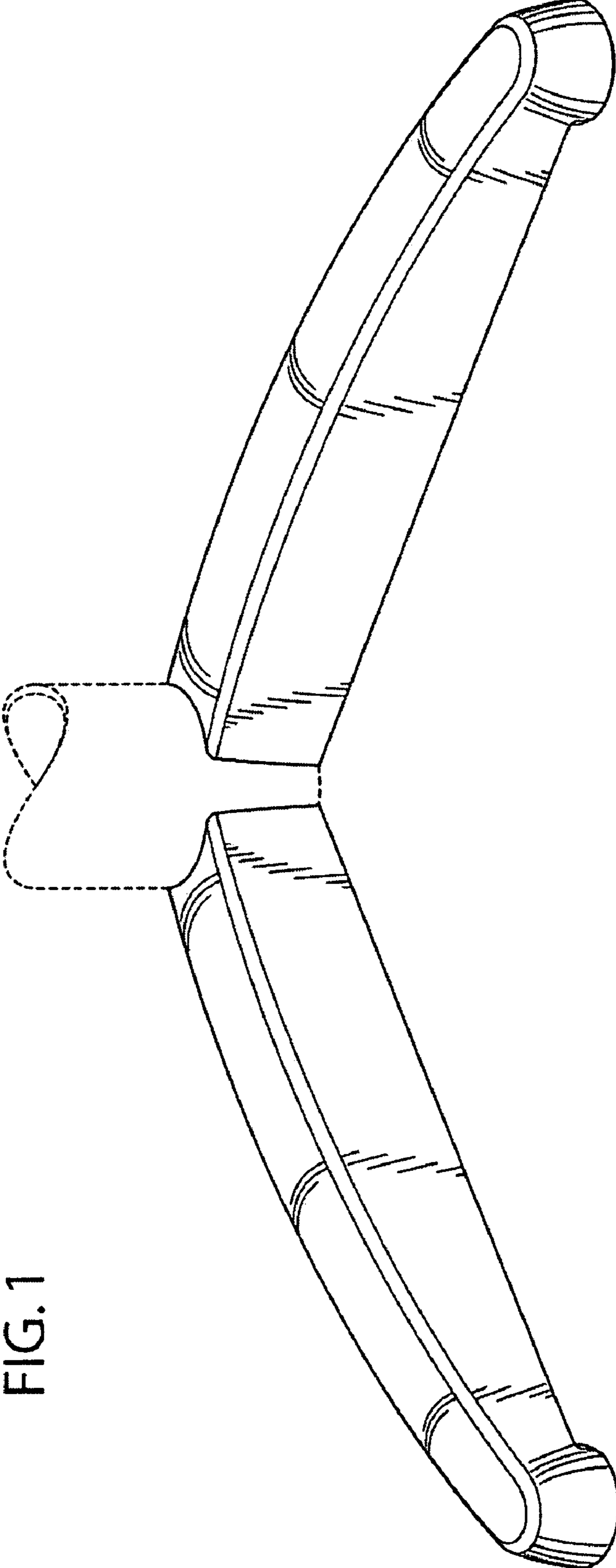


FIG. 1

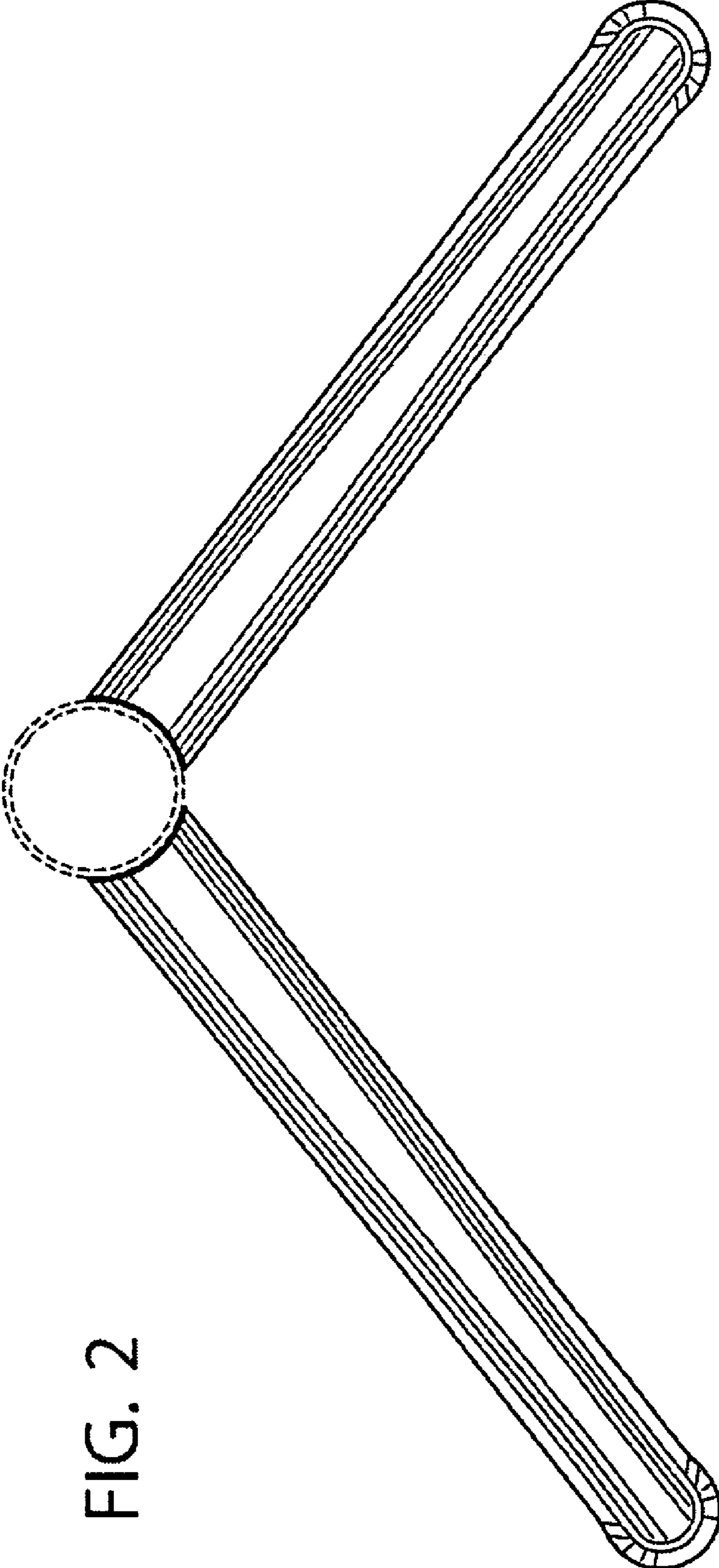


FIG. 2

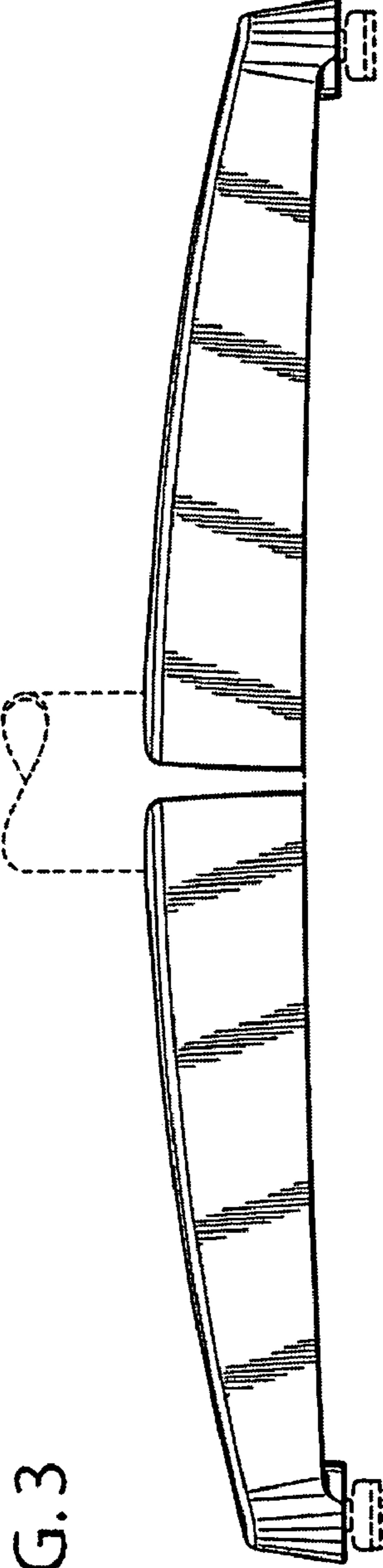


FIG. 3

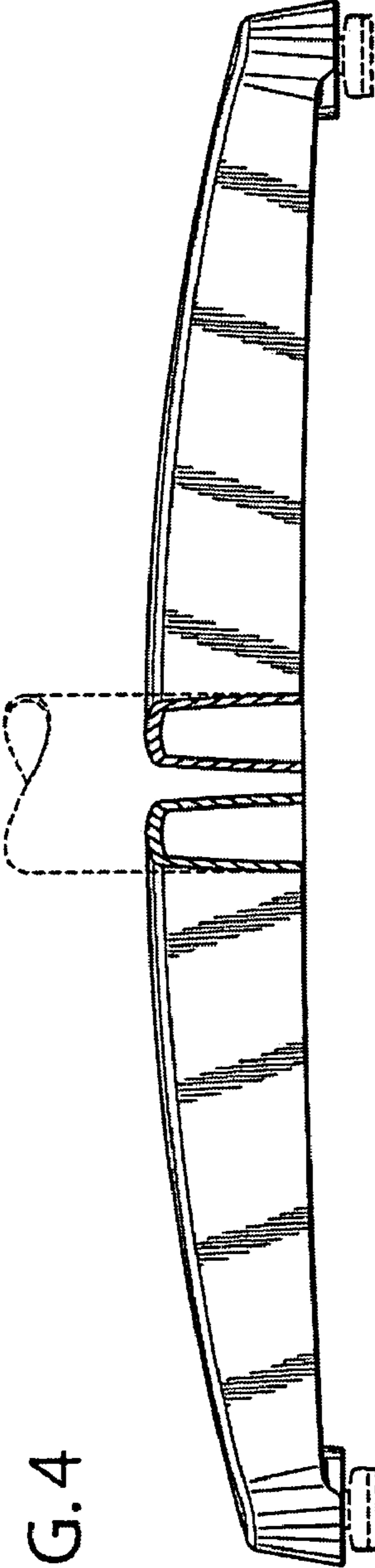


FIG. 4

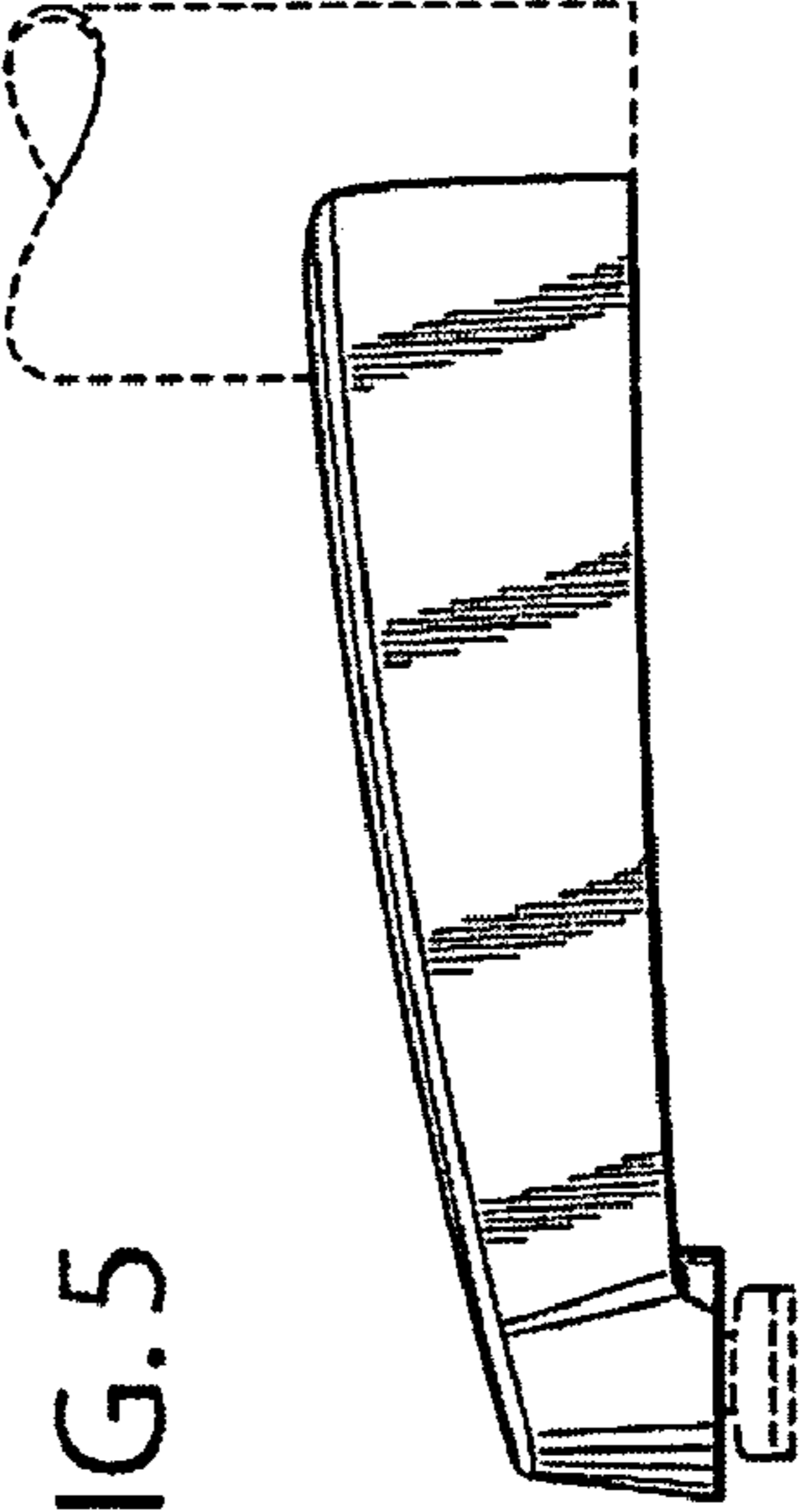


FIG. 5