



US00D569133S

(12) **United States Design Patent**
Sheppard

(10) **Patent No.:** **US D569,133 S**

(45) **Date of Patent:** **** May 20, 2008**

(54) **CIRCULAR ISLAND**

(75) Inventor: **Peter Ralph Sheppard**, London (GB)

(73) Assignee: **Smallbone & Co. (Devizes) Limited**,
Devizes (GB)

(**) Term: **14 Years**

(21) Appl. No.: **29/297,236**

(22) Filed: **Nov. 7, 2007**

Related U.S. Application Data

(62) Division of application No. 29/247,981, filed on Jul. 24, 2006, now Pat. No. Des. 559,590.

(30) **Foreign Application Priority Data**

Jan. 31, 2006 (GB) 3023817

(51) **LOC (8) Cl.** **06-03**

(52) **U.S. Cl.** **D6/481; D6/436**

(58) **Field of Classification Search** D6/422-428,
D6/480, 484, 485, 487, 436, 481; 312/223.1,
312/223.2, 194-196, 140.1, 140.2
See application file for complete search history.

(56) **References Cited**

U.S. PATENT DOCUMENTS

- 2,044,518 A * 6/1936 Thorstensen 312/135
- D139,893 S * 1/1945 Roberts D6/481
- D144,120 S * 3/1946 Livon D6/481
- D187,652 S * 4/1960 McCartan D6/423

- D225,927 S * 1/1973 Duern D6/477
- D311,831 S * 11/1990 Nysten D6/441
- D328,206 S * 7/1992 Lewis D6/481
- D351,299 S * 10/1994 Barrish D6/481
- D369,924 S * 5/1996 Werner et al. D6/472
- D423,250 S * 4/2000 Wolff D6/441

* cited by examiner

Primary Examiner—Janice E. Seeger

Assistant Examiner—Zenia I. Bennett

(74) *Attorney, Agent, or Firm*—Alston & Bird LLP

(57) **CLAIM**

The ornamental design for a circular island, as shown and described.

DESCRIPTION

FIG. 1 is a front perspective view of a circular island showing my new design;

FIG. 2 is a rear perspective view of the circular island;

FIG. 3 is a front plan view of the circular island;

FIG. 4 is a left side plan view of the circular island, the right side plan view is a mirror image of the left side plan view;

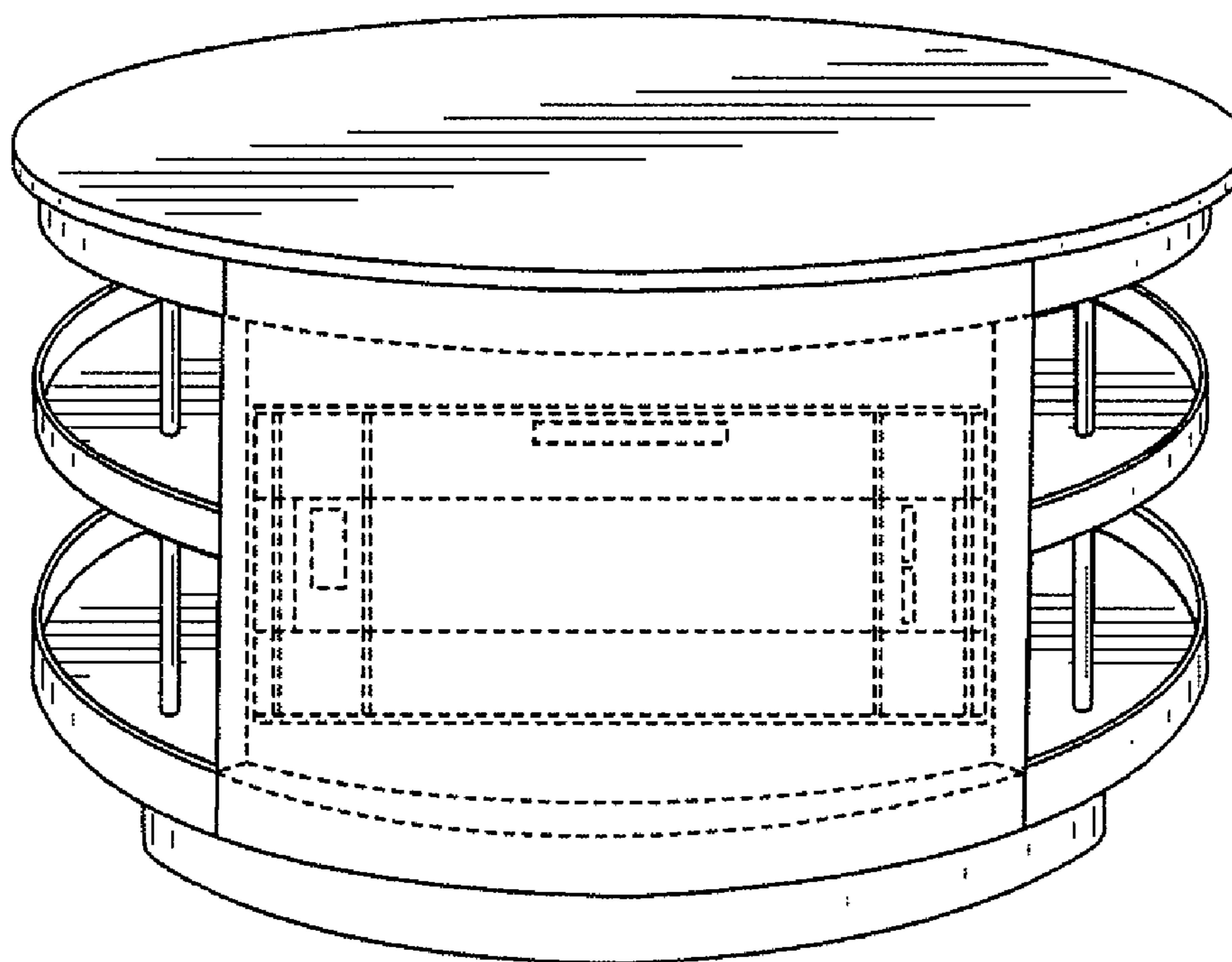
FIG. 5 is a rear plan view of the circular island;

FIG. 6 is a top plan view of the circular island; and,

FIG. 7 is a bottom plan view of the circular island.

The broken lines shown herein form no part of the claimed design.

1 Claim, 3 Drawing Sheets



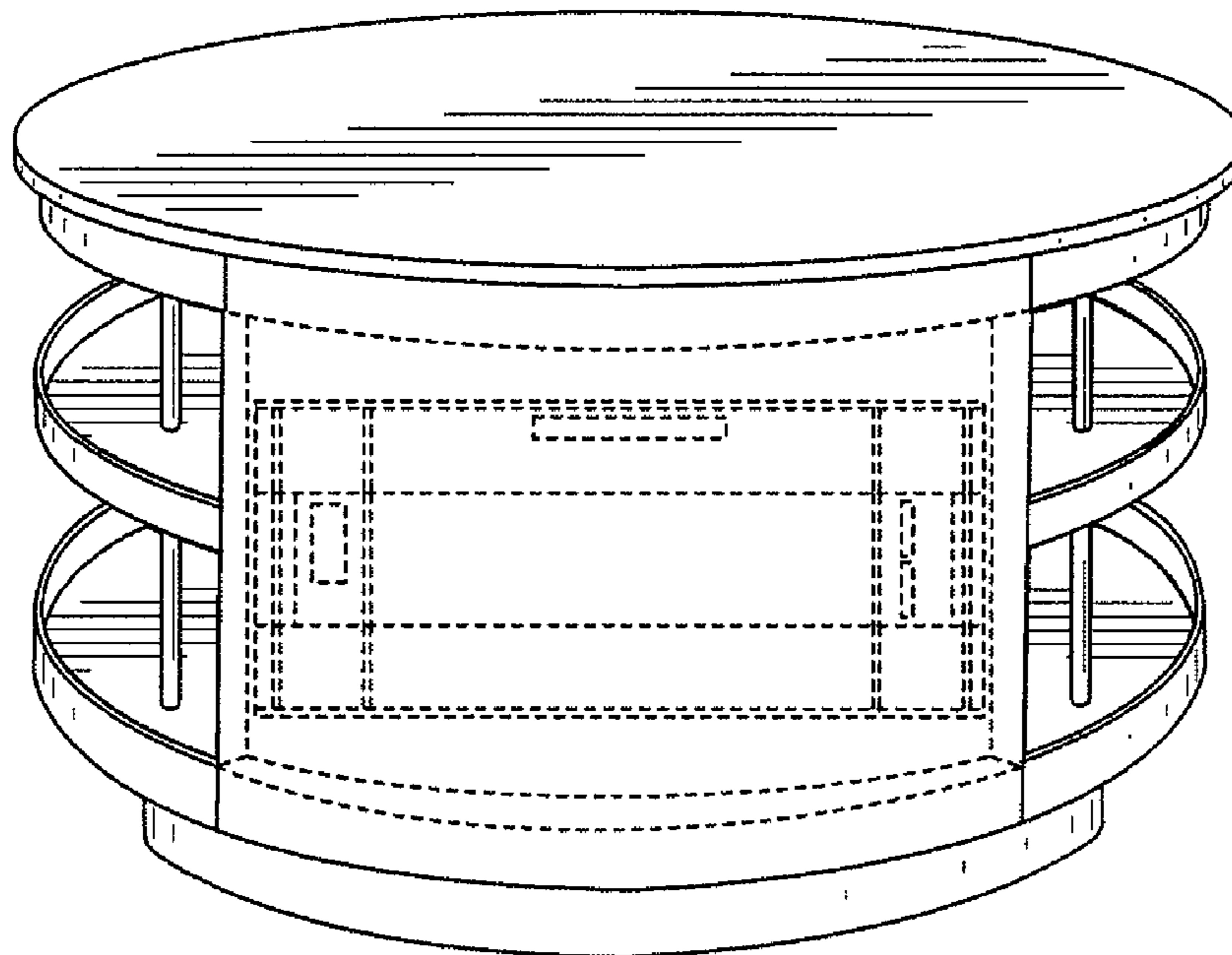


FIG. 1

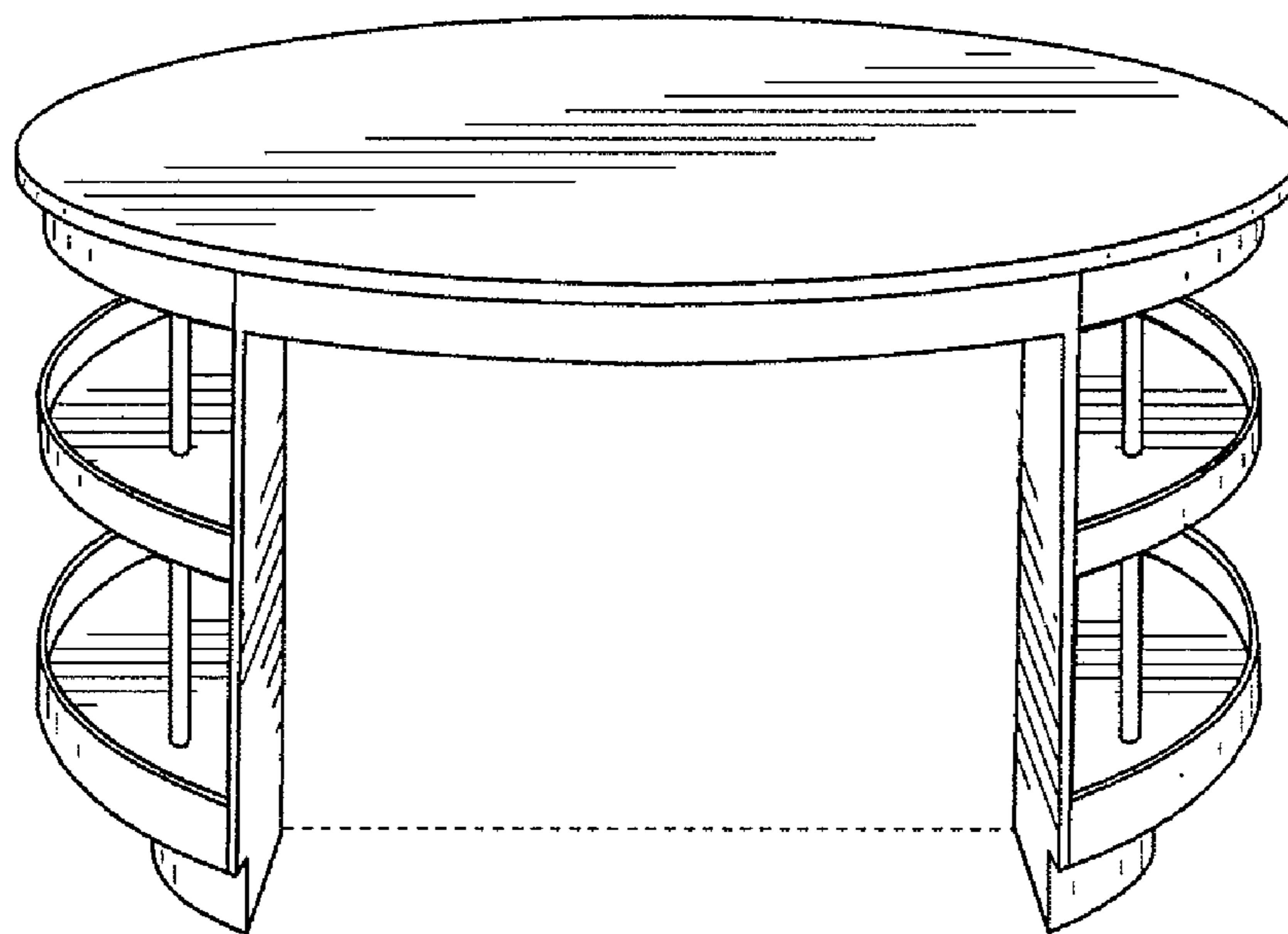


FIG. 2

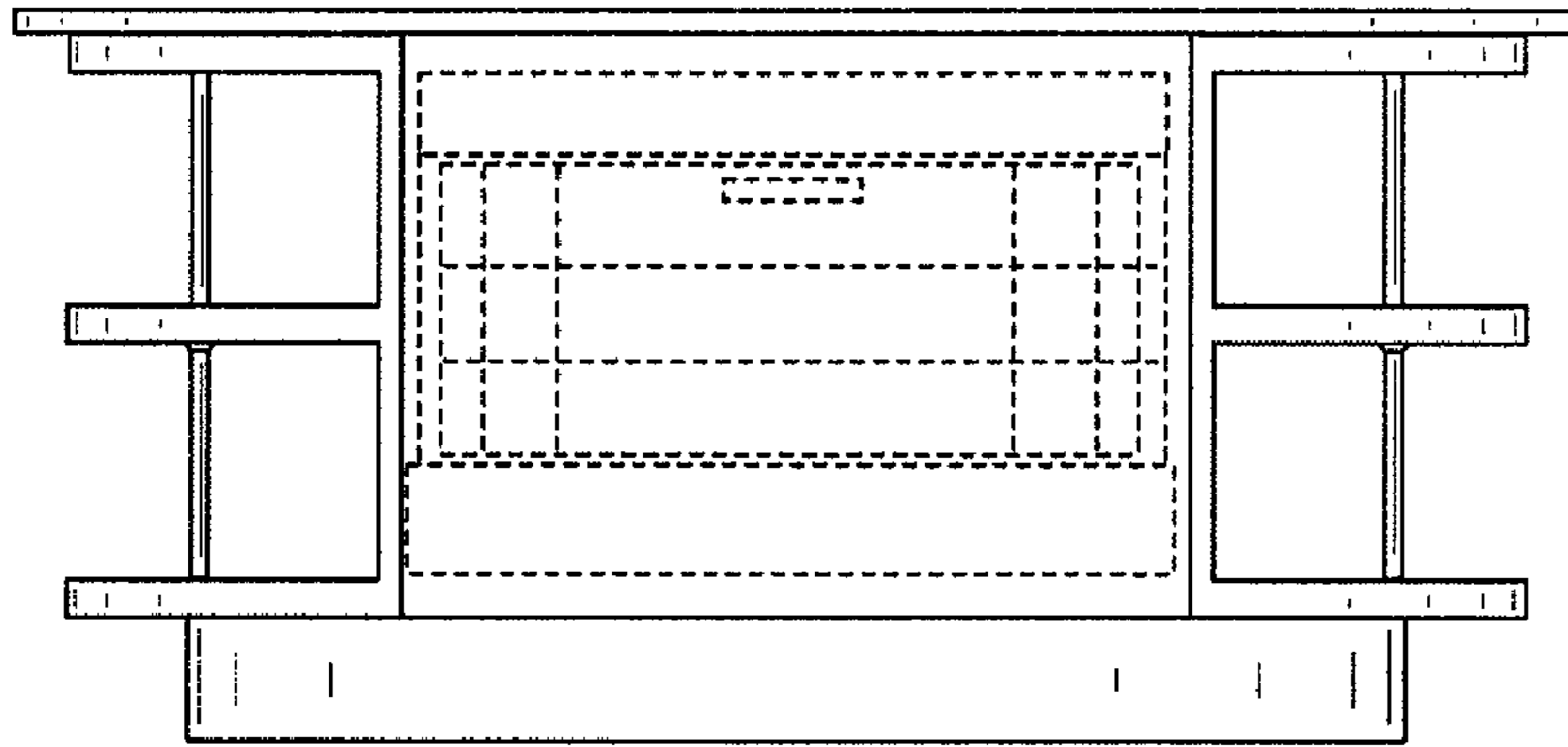


FIG. 3

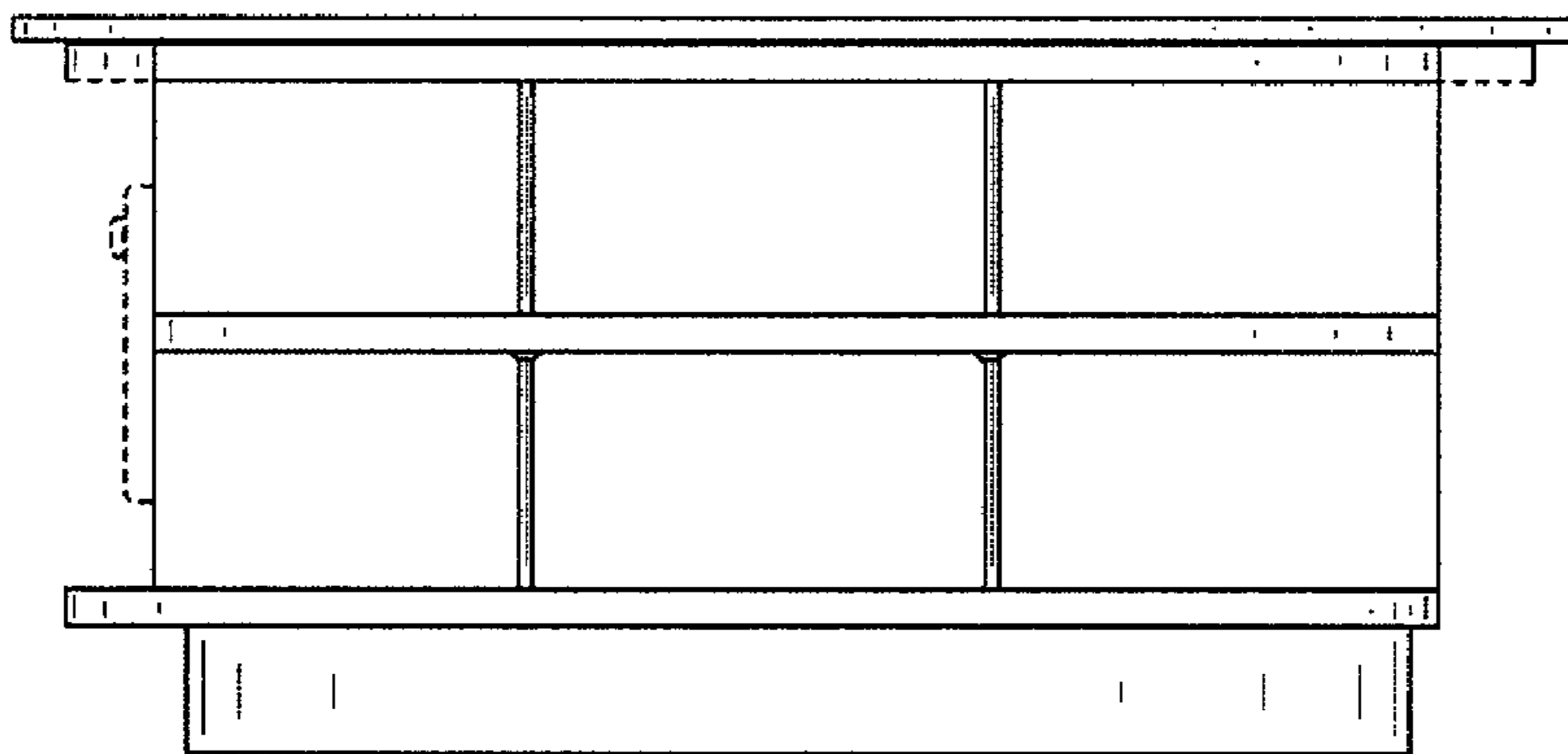


FIG. 4

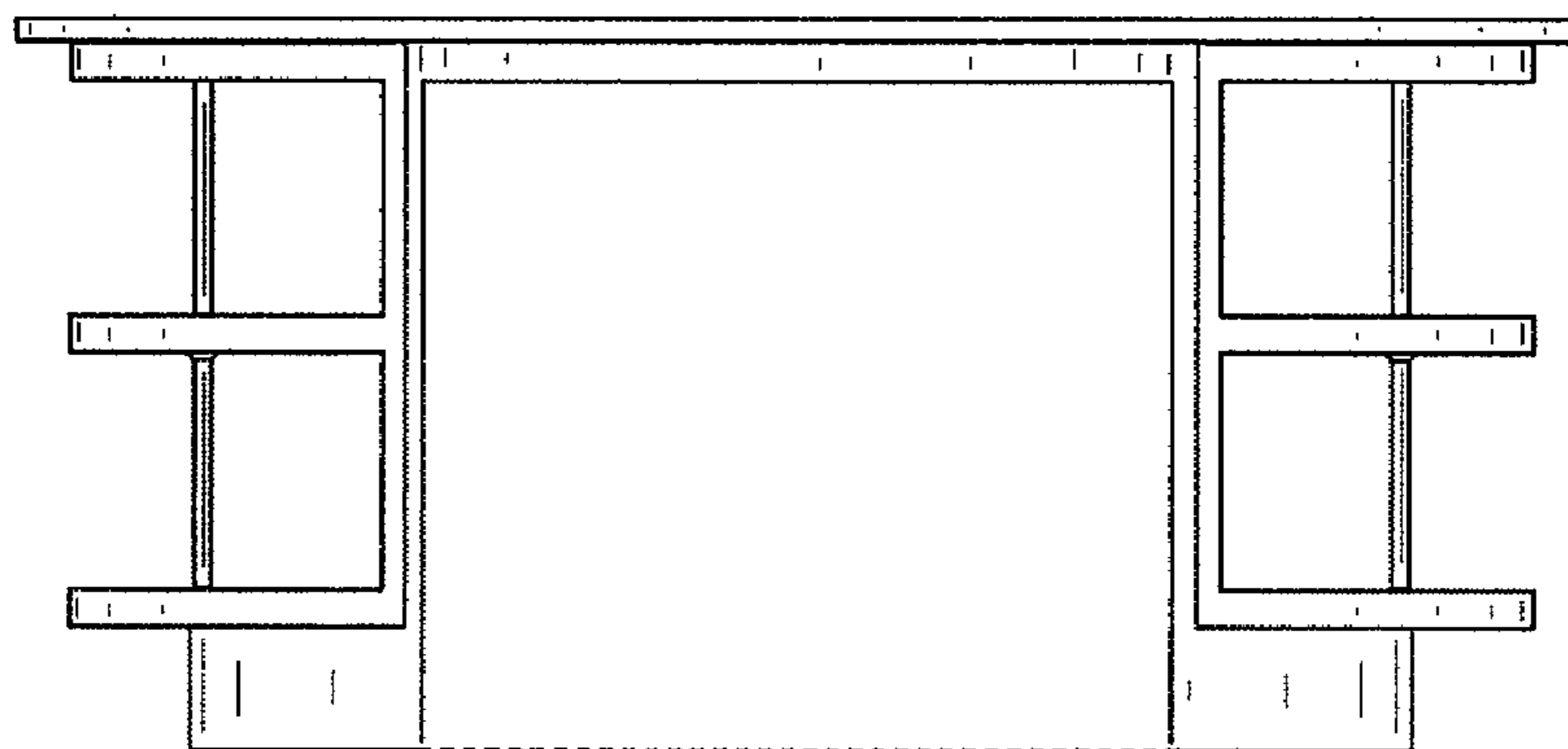


FIG. 5

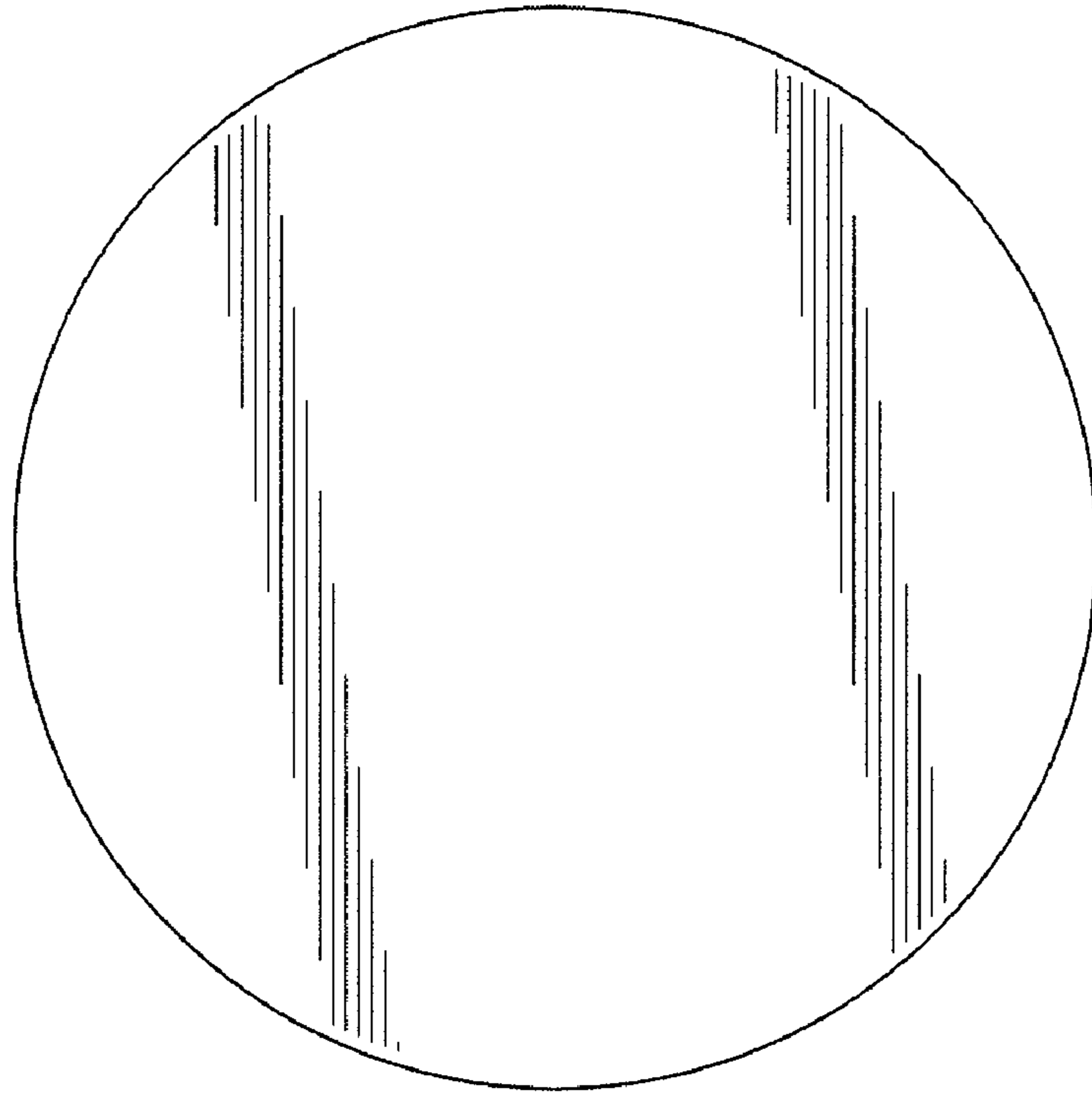


FIG. 6

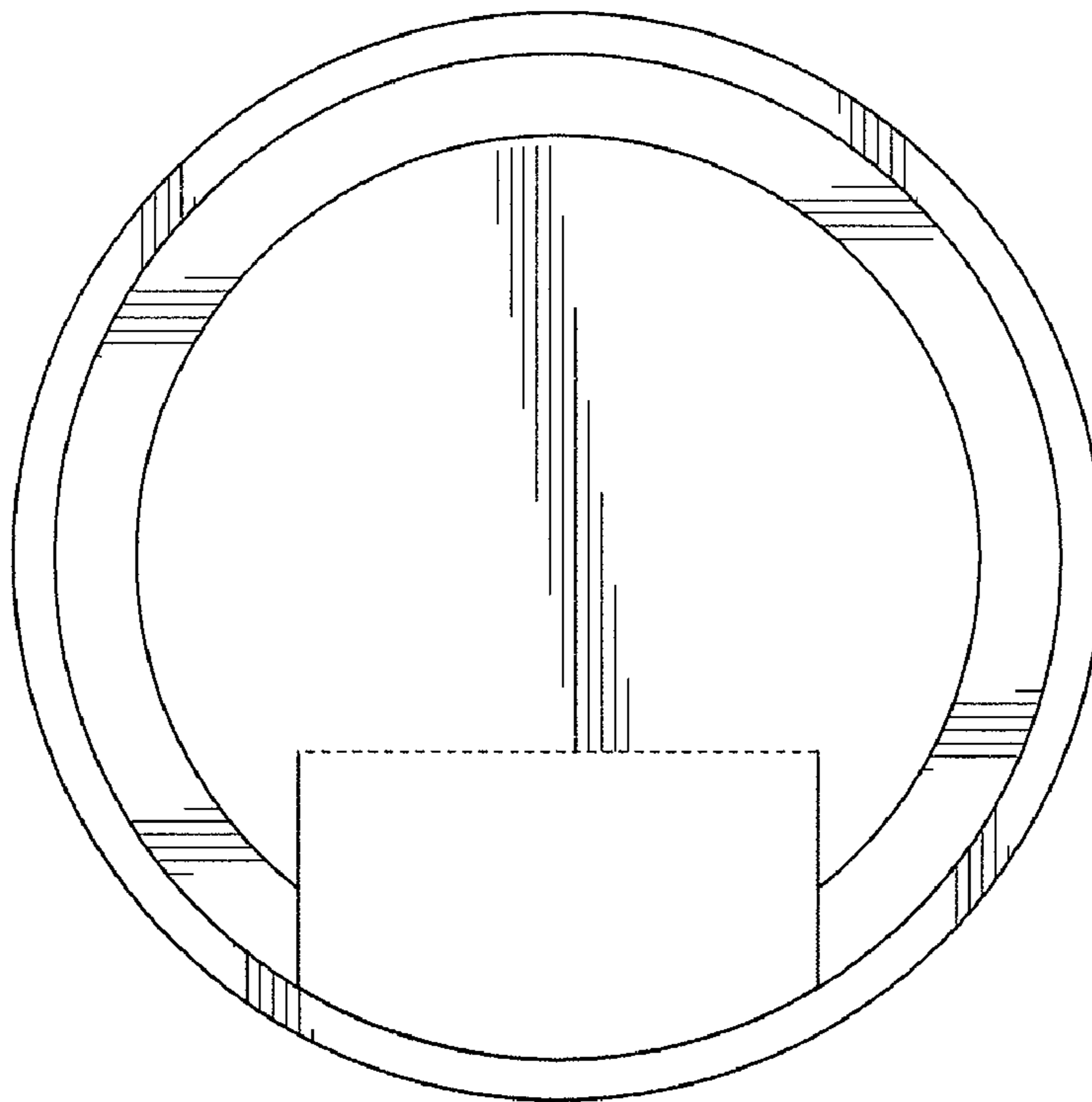


FIG. 7