



US00D569132S

(12) **United States Design Patent**  
**Sexton**

(10) **Patent No.:** **US D569,132 S**

(45) **Date of Patent:** **\*\* May 20, 2008**

(54) **DESK**

(75) Inventor: **James S. Sexton**, San Ramon, CA (US)

(73) Assignee: **Z-Line Designs**, San Ramon, CA (US)

(\*\*) Term: **14 Years**

(21) Appl. No.: **29/268,616**

(22) Filed: **Nov. 9, 2006**

(51) **LOC (8) Cl.** ..... **06-03**

(52) **U.S. Cl.** ..... **D6/480; D6/484**

(58) **Field of Classification Search** ..... D6/480-489,  
D6/495-499, 349, 428, 422; 108/150, 152,  
108/153.1, 156, 161, 157.1; 248/188, 188.1,  
248/188.7, 188.8

See application file for complete search history.

(56) **References Cited**

U.S. PATENT DOCUMENTS

D386,328 S *	11/1997	Good	.....	D6/480
D477,931 S *	8/2003	Chang	.....	D6/422
D484,337 S *	12/2003	Risdon et al.	.....	D6/495
D501,339 S *	2/2005	Lai	.....	D6/480
D549,009 S *	8/2007	Lin	.....	D6/480

\* cited by examiner

*Primary Examiner*—Janice E. Seeger

(74) *Attorney, Agent, or Firm*—Townsend and Townsend and Crew LLP

(57) **CLAIM**

The ornamental design for a desk, as shown and described.

**DESCRIPTION**

FIG. 1 is a perspective view of a design for a desk showing my new design;

FIG. 2 is a top plan view thereof;

FIG. 3 is a front elevational view thereof;

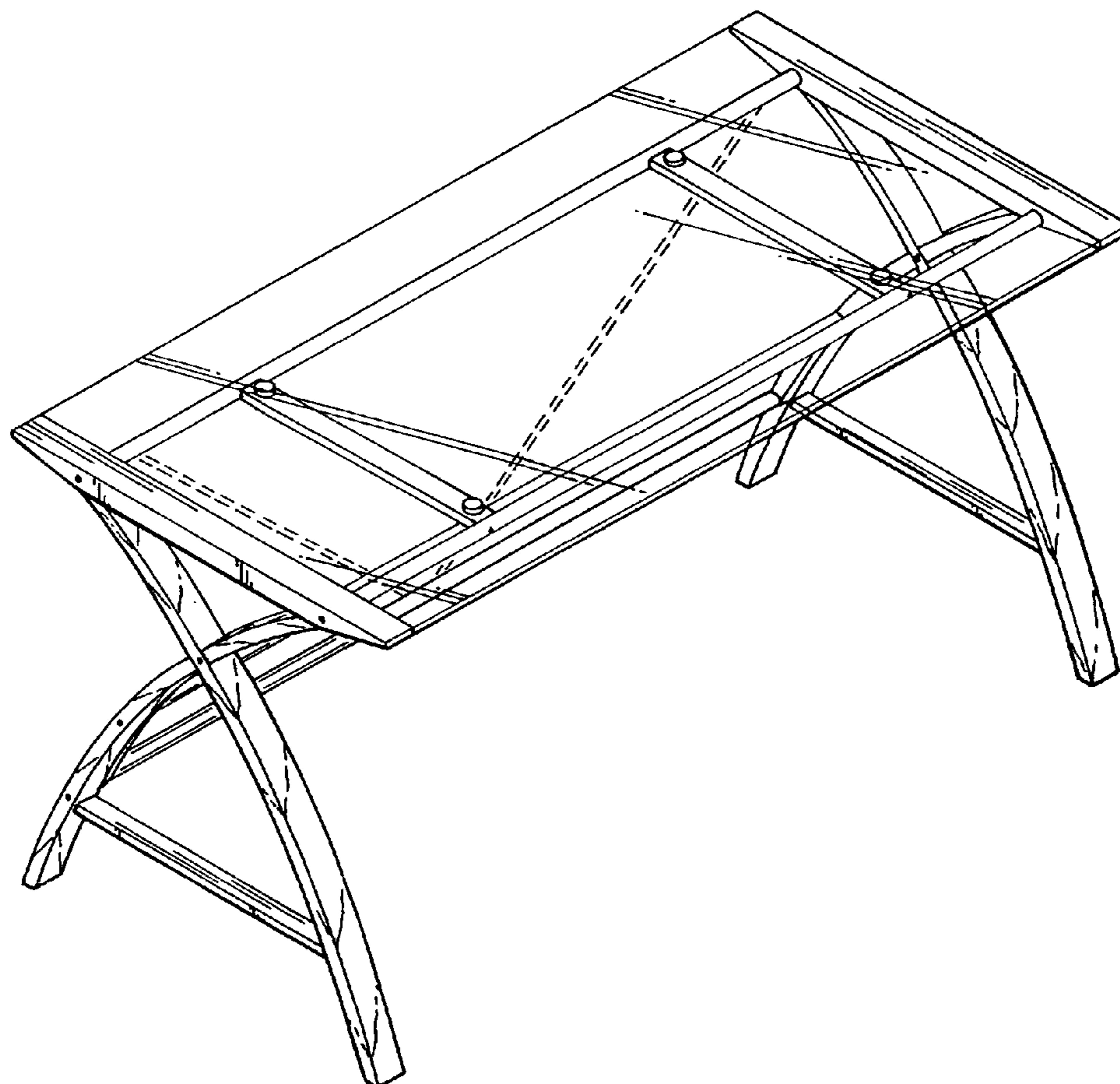
FIG. 4 is a right side elevational view thereof;

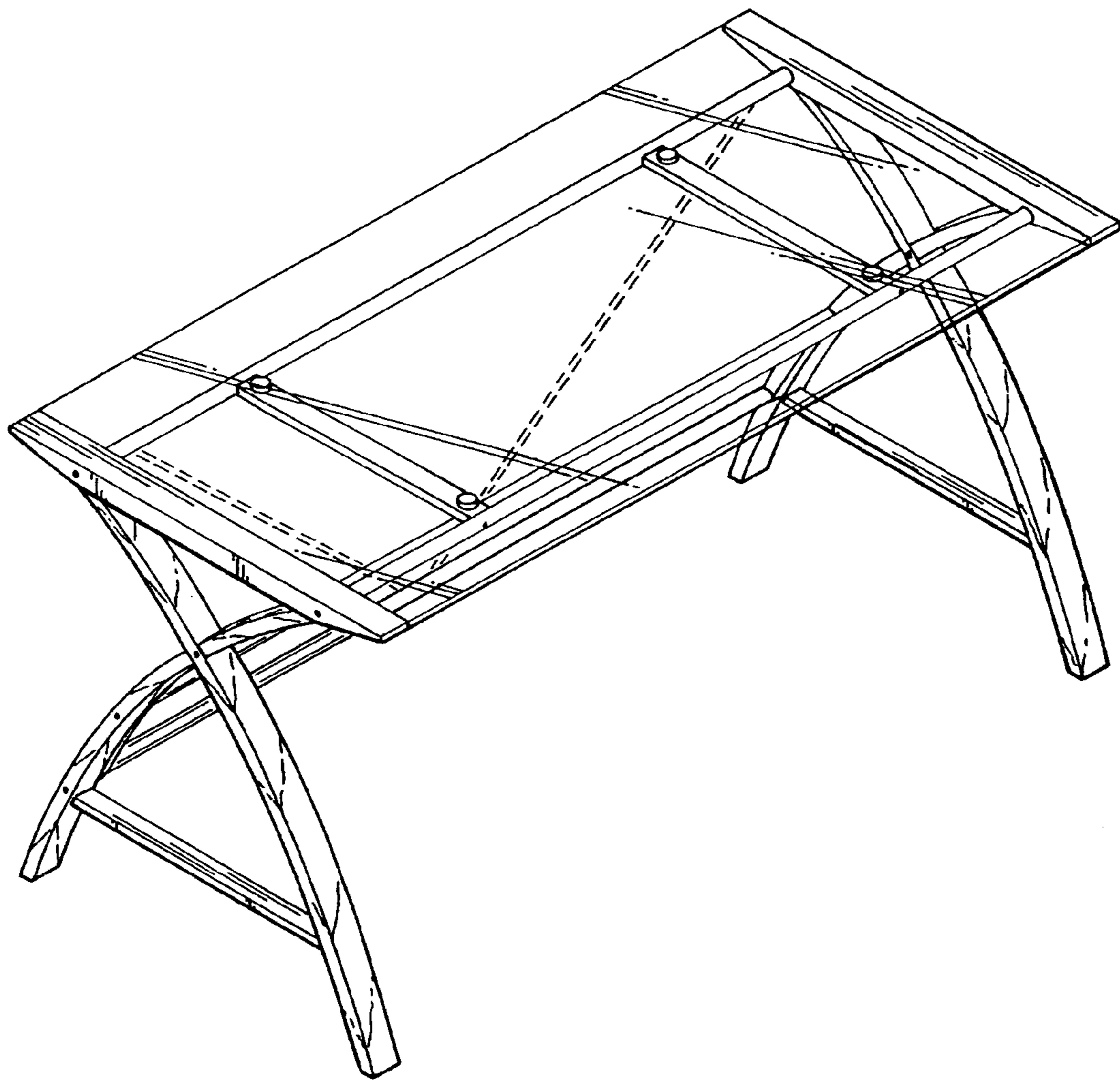
FIG. 5 is a rear elevational view thereof; and,

FIG. 6 is a left side elevational view thereof.

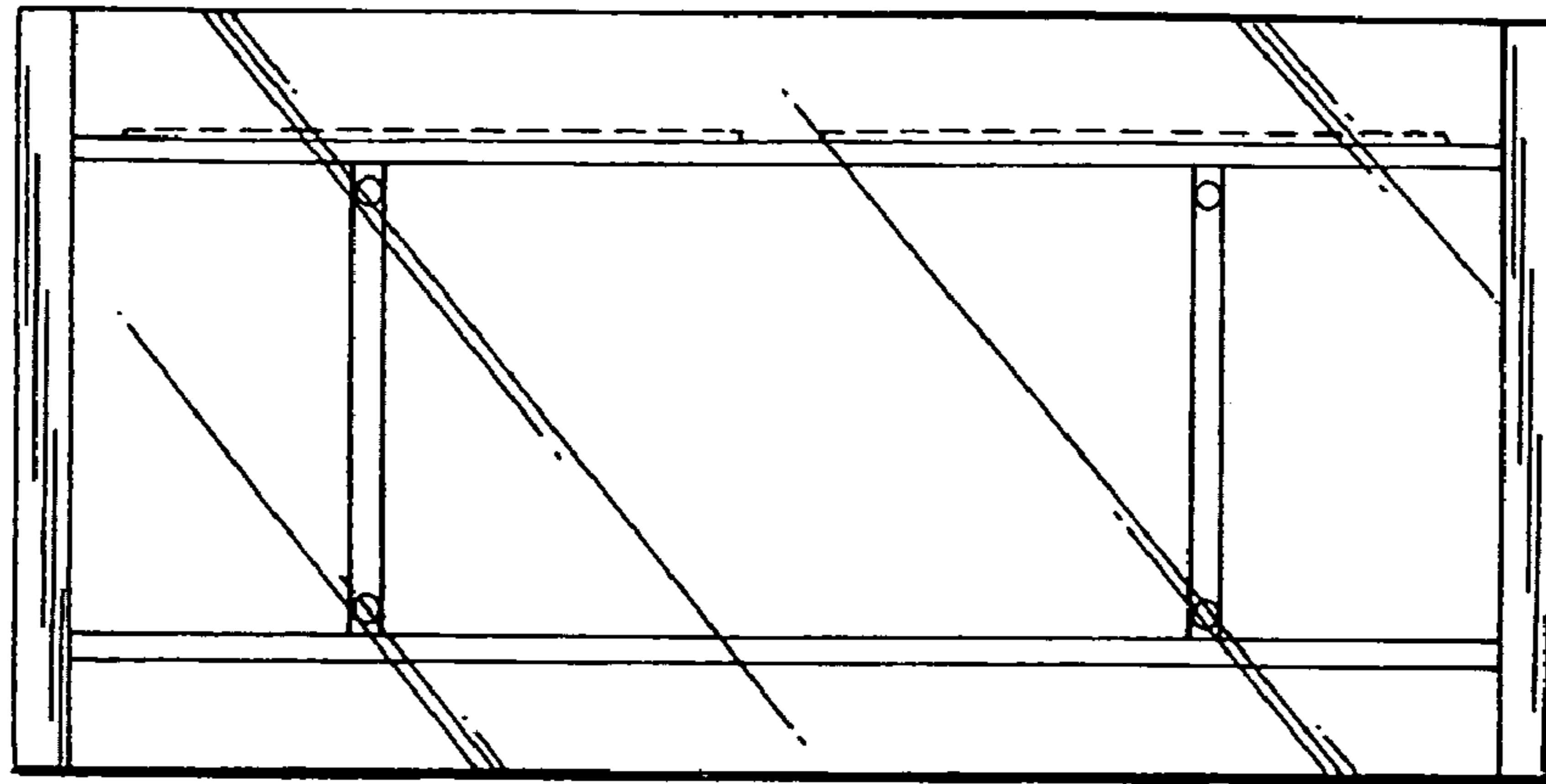
The dashed lines indicate the cross members that can be used to provide structural support for the desk of the present invention; namely of those portions of the desk which do not form a part of the design.

**1 Claim, 3 Drawing Sheets**

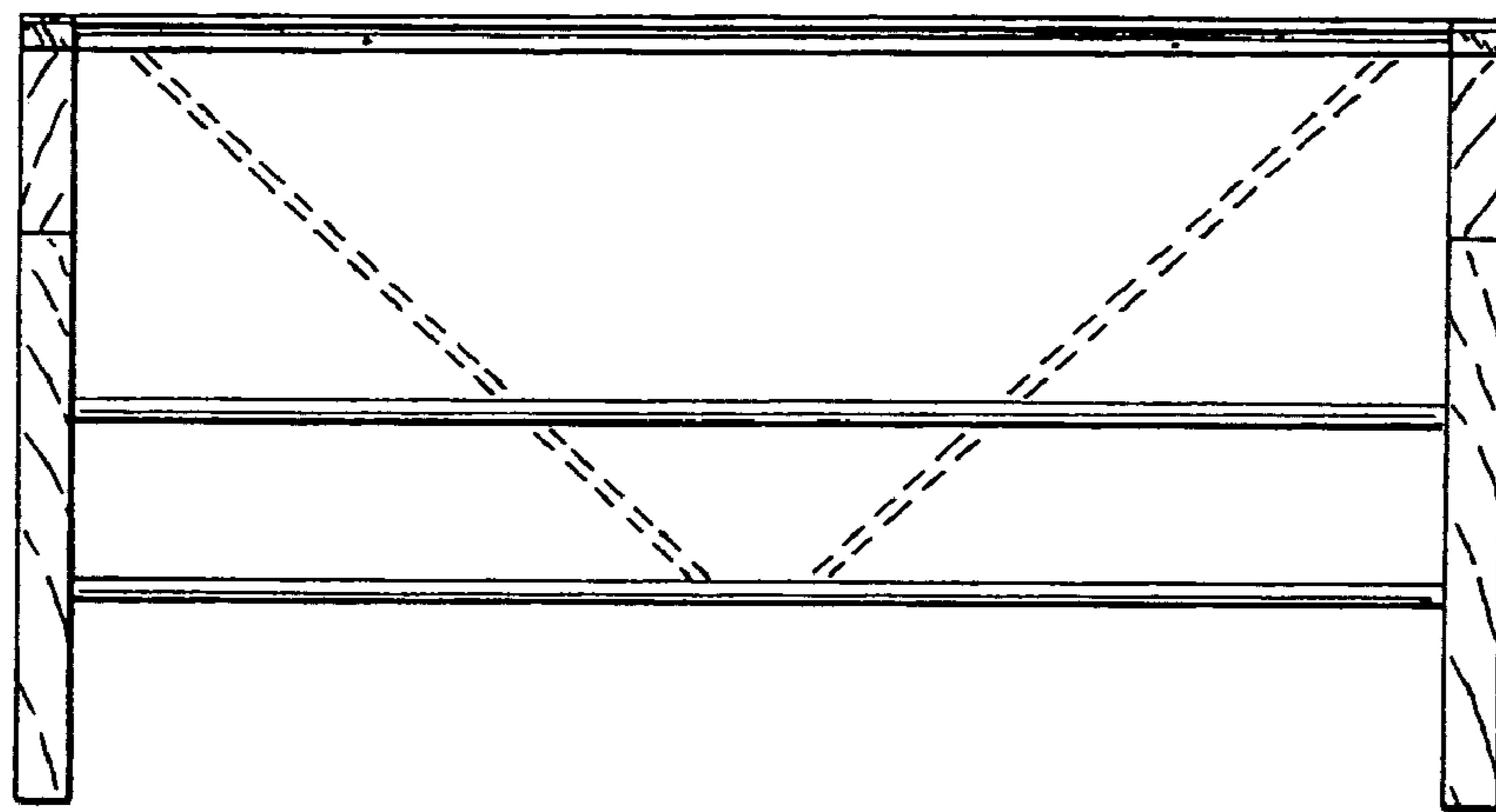




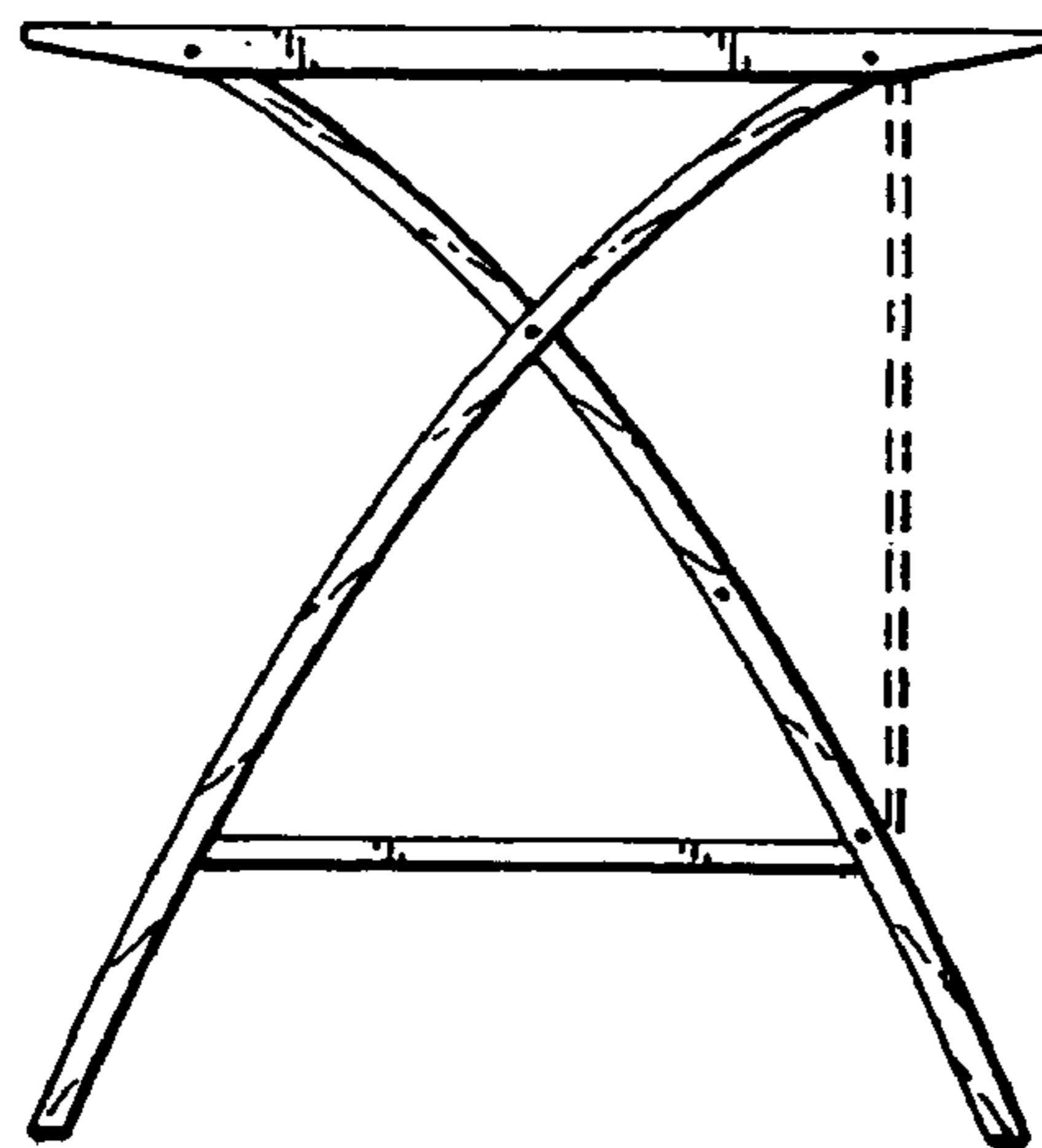
**FIG. 1**



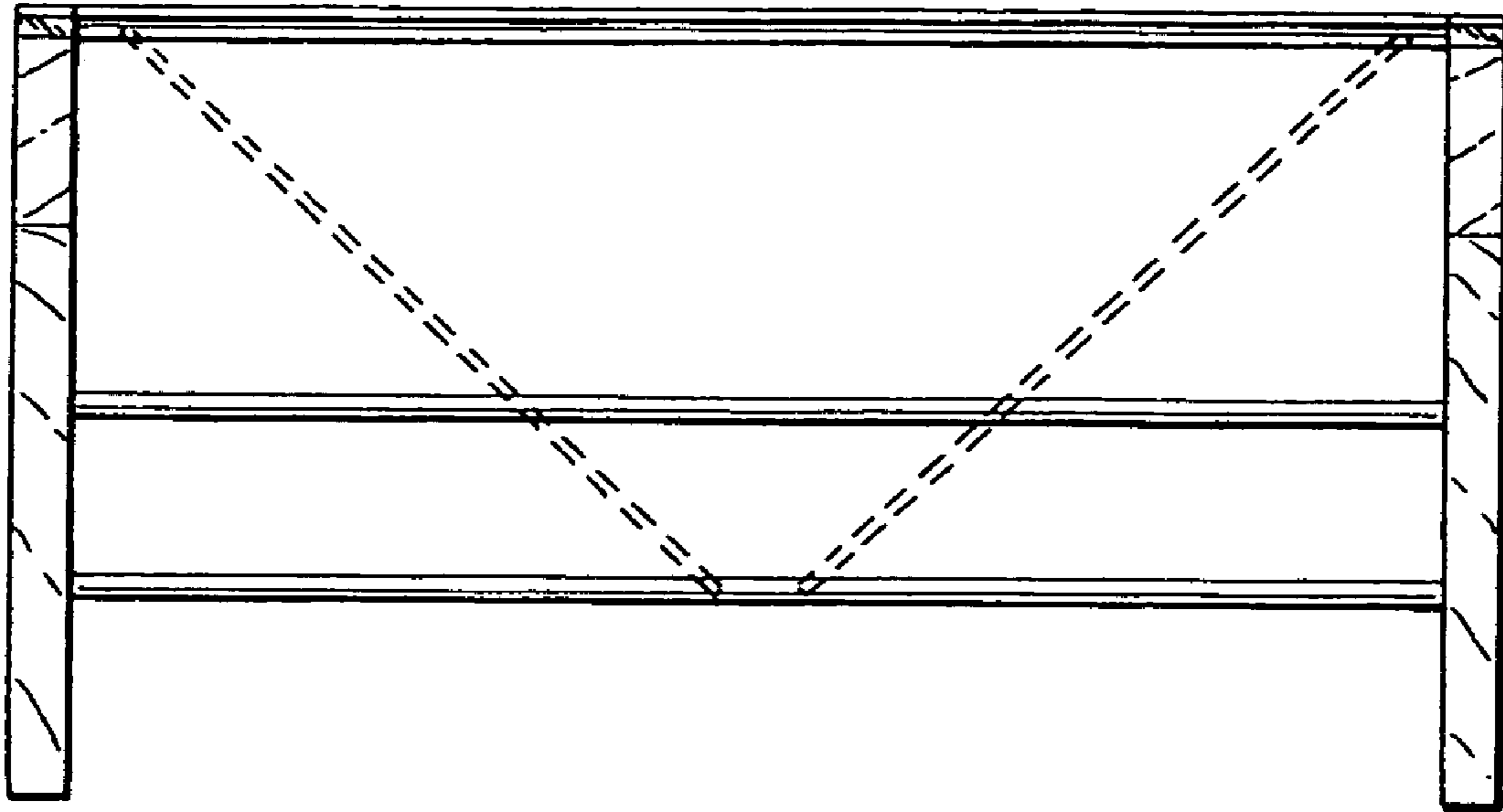
*FIG. 2*



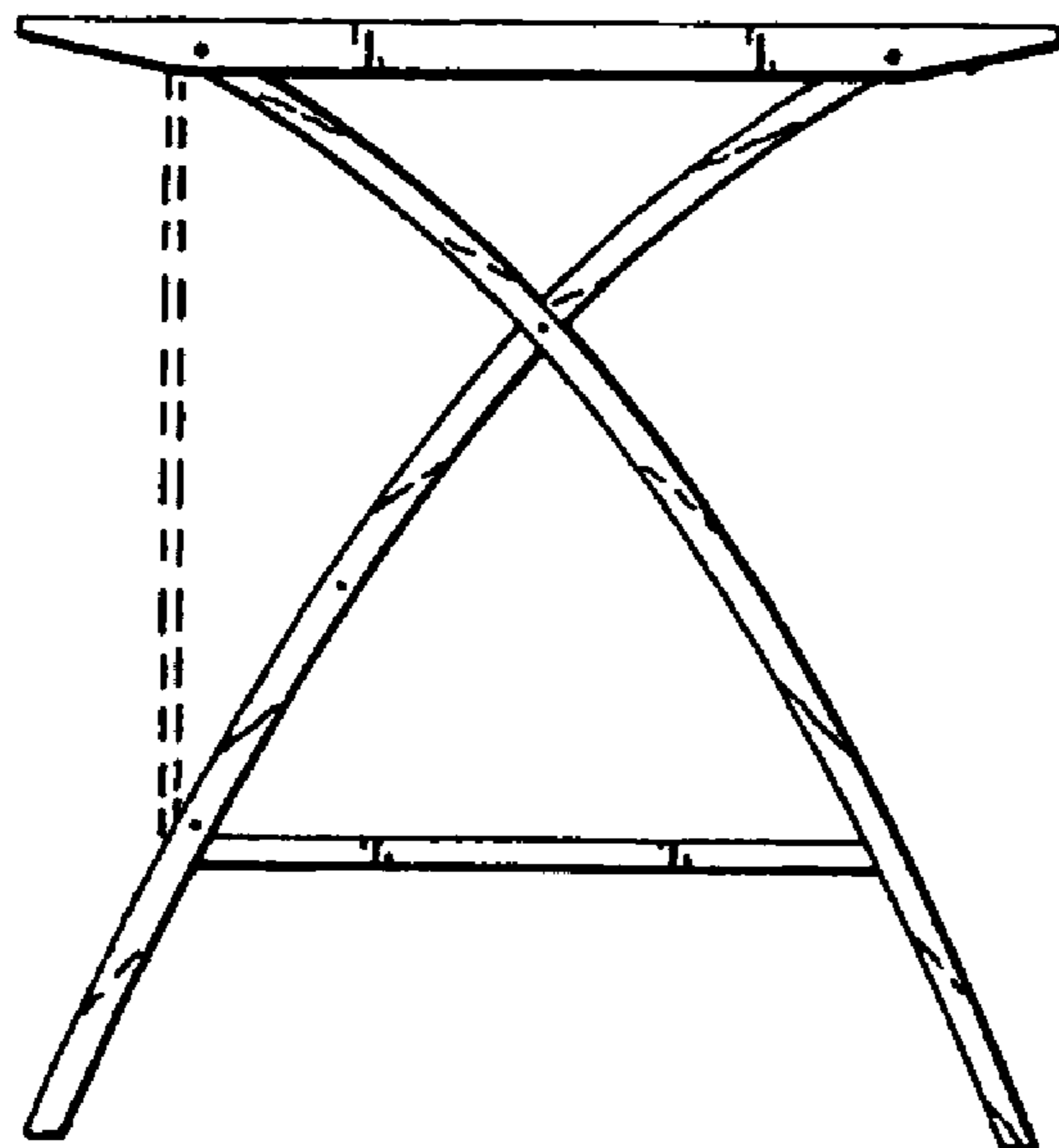
*FIG. 3*



*FIG. 4*



**FIG. 5**



**FIG. 6**