

US00D569130S

(12) **United States Design Patent** (10) **Patent No.:** **US D569,130 S**
Thompson (45) **Date of Patent:** **** May 20, 2008**

(54) **FURNITURE**

(75) Inventor: **David W. Thompson**, New Albany, OH (US)

(73) Assignee: **American Signature, Inc.**, Columbus, OH (US)

(**) Term: **14 Years**

(21) Appl. No.: **29/284,892**

(22) Filed: **Sep. 18, 2007**

Related U.S. Application Data

(62) Division of application No. 29/258,986, filed on May 1, 2006, now Pat. No. Des. 560,081.

(51) **LOC (8) Cl.** **06-04**

(52) **U.S. Cl.** **D6/470**

(58) **Field of Classification Search** D6/432, D6/436, 437-439, 444-448, 441, 470, 477-479; 312/114, 204, 224, 278-279, 109, 290, 324, 312/107, 311; 211/134
See application file for complete search history.

(56) **References Cited**

U.S. PATENT DOCUMENTS

- D372,375 S 8/1996 Walters et al.
- D390,043 S * 2/1998 Walters et al. D6/438
- D390,719 S 2/1998 Walters et al.
- D434,249 S 11/2000 Cain
- D462,544 S 9/2002 De Blaay
- D469,986 S 2/2003 Stanton
- D482,907 S 12/2003 Wanek et al.
- D488,645 S * 4/2004 Stanton D6/470
- D506,885 S 7/2005 Vaaler

- D510,211 S * 10/2005 Welborn, Jr. D6/470
- D514,352 S * 2/2006 Black D6/439
- D528,826 S * 9/2006 Schmitt D6/470
- D530,537 S 10/2006 Schmitt
- D531,427 S * 11/2006 Schmitt D6/470

OTHER PUBLICATIONS

Thomasville Replicas 1750, 1983.
Thomasville Impressions, 1992.

* cited by examiner

Primary Examiner—Elizabeth A. Albert
Assistant Examiner—Kelley A Donnelly
(74) *Attorney, Agent, or Firm*—Wood, Herron & Evans, L.L.P.

(57) **CLAIM**

The ornamental design for furniture, as shown and described.

DESCRIPTION

FIG. 1 is a front elevational view of furniture showing my new design.

FIG. 2 is an enlarged front elevational view thereof.

FIG. 3 is a right-side elevational view thereof, with the left-side elevational view thereof being a mirror image.

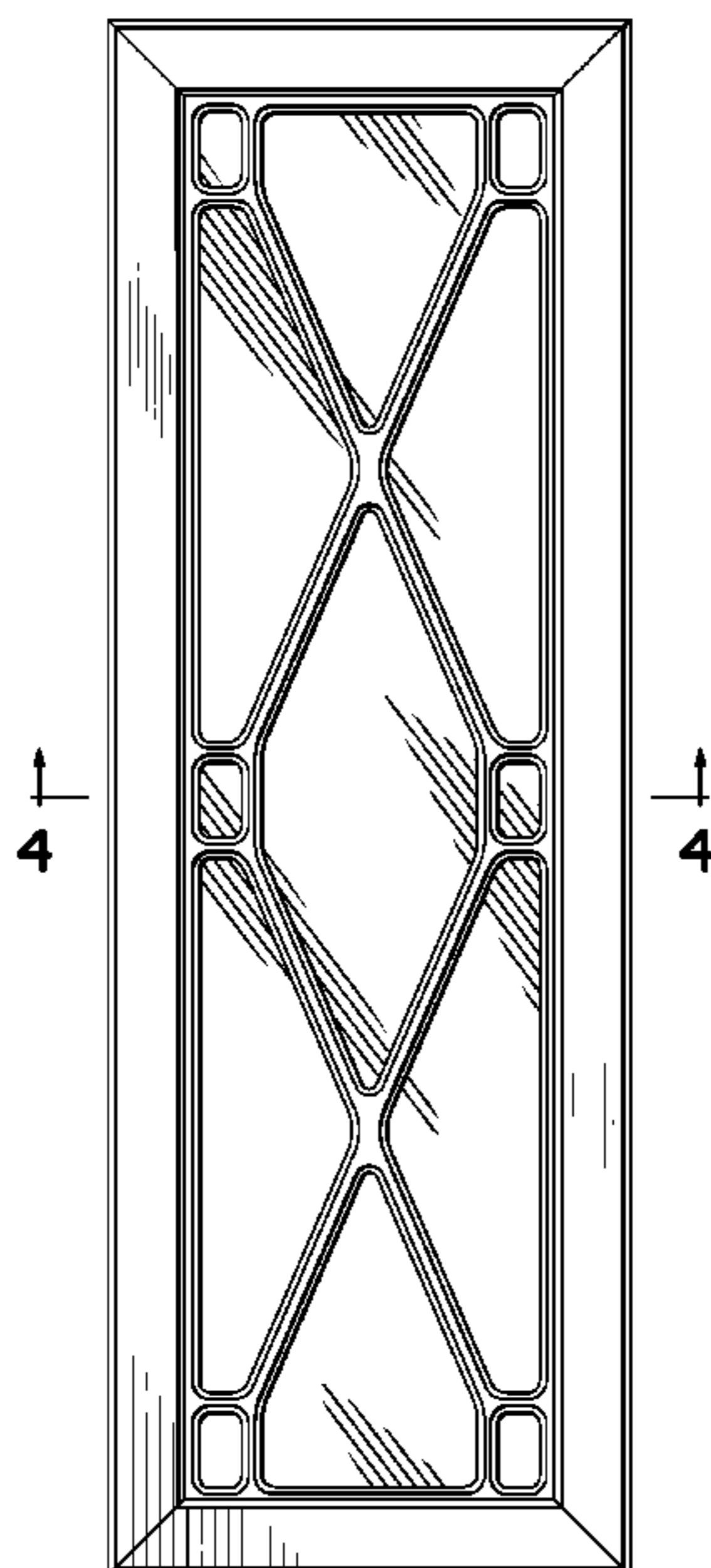
FIG. 4 is an enlarged cross-sectional view taken along line 4—4 of FIG. 2.

FIG. 5 is a top plan view thereof, with the bottom plan view thereof being identical; and,

FIG. 6 is a rear elevational view thereof.

The broken lines in FIG. 1 depict environment and form no part of the claimed design.

1 Claim, 3 Drawing Sheets



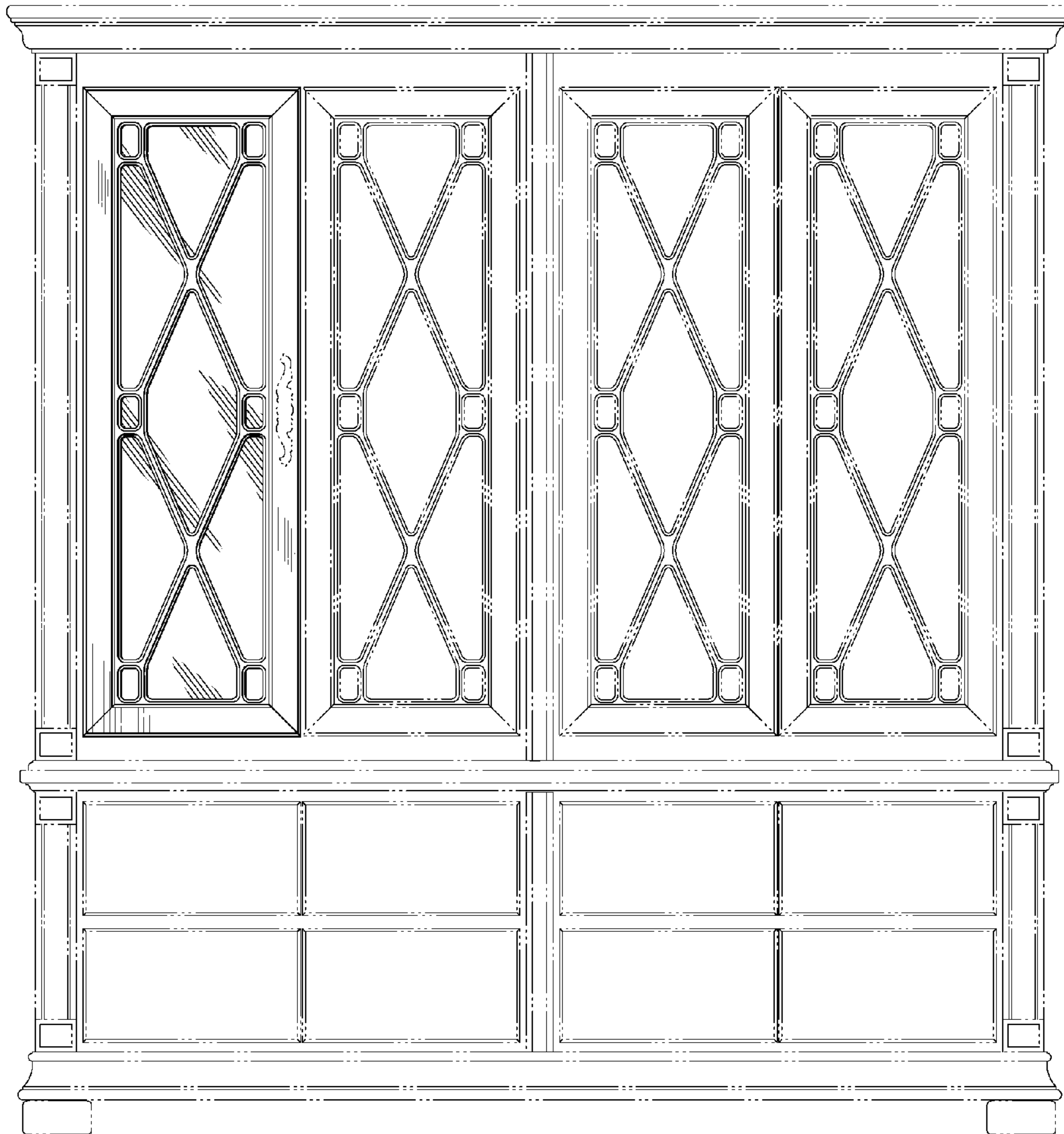


FIG. 1

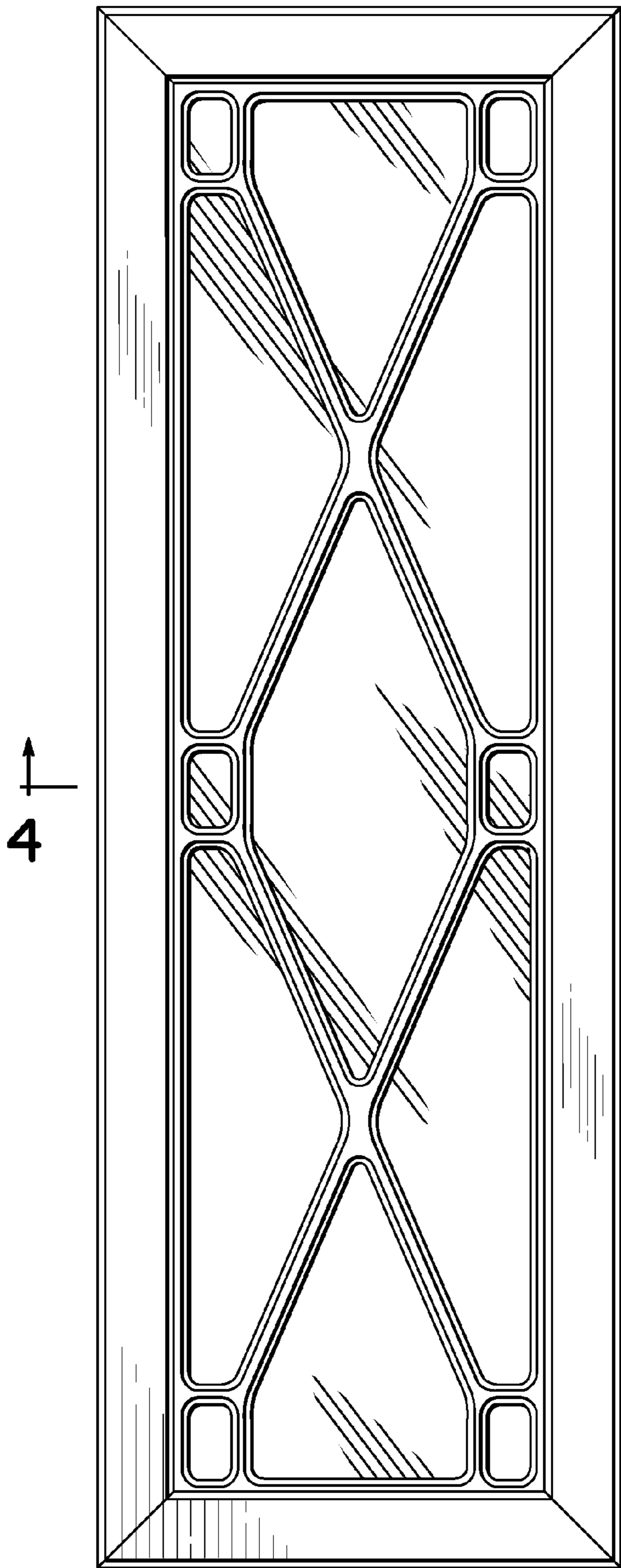


FIG. 2

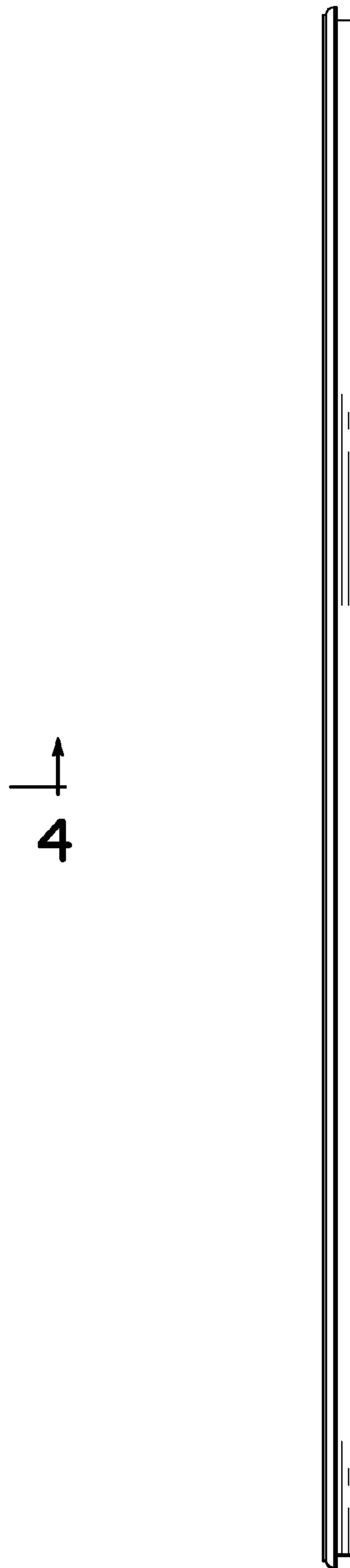


FIG. 3

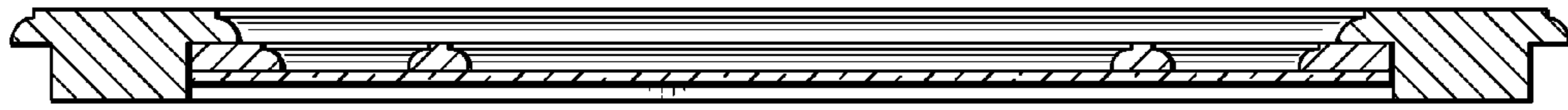


FIG. 4

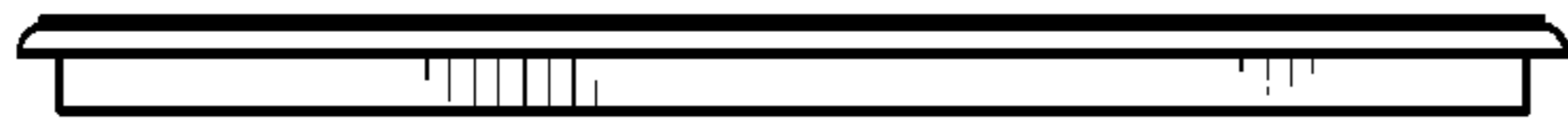


FIG. 5

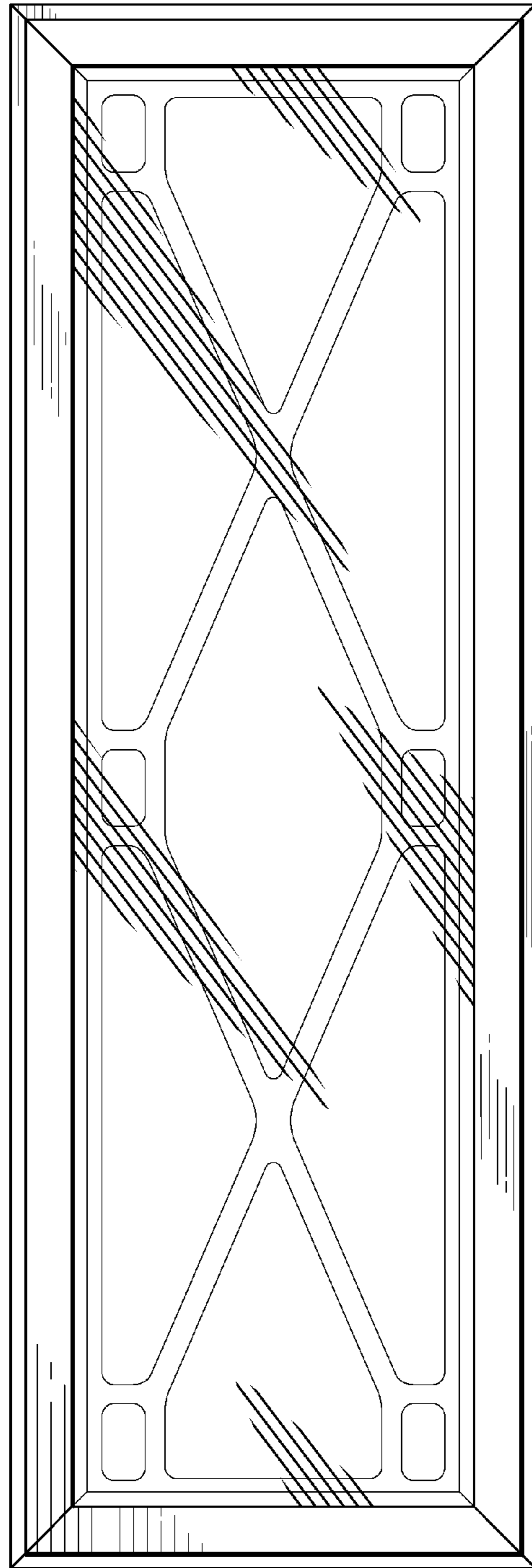


FIG. 6