

US00D569129S

(12) **United States Design Patent** (10) **Patent No.:** **US D569,129 S**  
**Greiner** (45) **Date of Patent:** **\*\* May 20, 2008**

(54) **SWIVEL ORGANIZER**

(76) Inventor: **Lori Greiner**, 1301 Dearborn Pkwy.,  
Suite 402, Chicago, IL (US) 60610

(\*\*) Term: **14 Years**

(21) Appl. No.: **29/263,540**

(22) Filed: **Jul. 25, 2006**

(51) **LOC (8) Cl.** ..... **06-04**

(52) **U.S. Cl.** ..... **D6/470; D6/448; D6/432**

(58) **Field of Classification Search** ..... D6/438,  
D6/448, 470, 455; 312/114, 204, 224, 278-279,  
312/321.5; 108/103; 211/95, 163, 85.2  
See application file for complete search history.

(56) **References Cited**

**U.S. PATENT DOCUMENTS**

D165,833	S	*	2/1952	Gaither	.....	D6/446
D233,087	S	*	10/1974	Martin	.....	D6/455
4,058,356	A	*	11/1977	Michal	.....	312/305
4,300,809	A		11/1981	Brownlee		
4,463,856	A		8/1984	Strasser		
4,753,495	A		6/1988	Swink		
4,884,655	A		12/1989	Freadman et al.		
D319,154	S	*	8/1991	Powell	.....	D6/448
D319,155	S	*	8/1991	Powell	.....	D6/448
5,243,434	A		9/1993	Nodama		
D368,583	S	*	4/1996	Sharer et al.	.....	D3/294
5,542,758	A		8/1996	Brown		
D377,278	S	*	1/1997	Putterman et al.	.....	D6/432
D383,278	S		9/1997	Jennings		
D387,236	S	*	12/1997	Madonna	.....	D6/629
D403,530	S		1/1999	Lin		
5,870,858	A		2/1999	Manuel		
6,042,077	A		3/2000	Shoesmith		
D436,481	S		1/2001	Harwanko		
D483,964	S	*	12/2003	Bates	.....	D6/446
D489,197	S	*	5/2004	Harwanko	.....	D6/432
D492,857	S	*	7/2004	Harwanko	.....	D6/432
D501,100	S	*	1/2005	Walker	.....	D6/448
D504,265	S		4/2005	Walker		
D522,269	S	*	6/2006	Walker	.....	D6/432

D528,840 S 9/2006 Greiner  
D530,118 S 10/2006 Del Castillo et al.  
2005/0093405 A1 5/2005 Greiner

**FOREIGN PATENT DOCUMENTS**

GB 3345630 7/2000

**OTHER PUBLICATIONS**

U.S. Appl. No. 11/368,019, filed Mar. 3, 2006, Title "Swivel Organizer", Inventor Lori Greiner.

U.S. Appl. No. 11/610,170, filed Dec. 13, 2006, Title "Tri-Fold Mirror Swivel Organizer", Inventor Lori Greiner.

\* cited by examiner

*Primary Examiner*—Elizabeth A. Albert

*Assistant Examiner*—Kelley A. Donnelly

(74) *Attorney, Agent, or Firm*—Fredrikson & Byron, P.A.

(57) **CLAIM**

I claim the ornamental design for a swivel organizer, as shown and described.

**DESCRIPTION**

FIG. 1 is a perspective view of my new design for a swivel organizer;

FIG. 2 is a side perspective view thereof with both doors closed, the other side perspective view being a mirror image of that shown;

FIG. 3 is a side perspective view thereof with both doors open;

FIG. 4 is an opposite side perspective view thereof with both doors open;

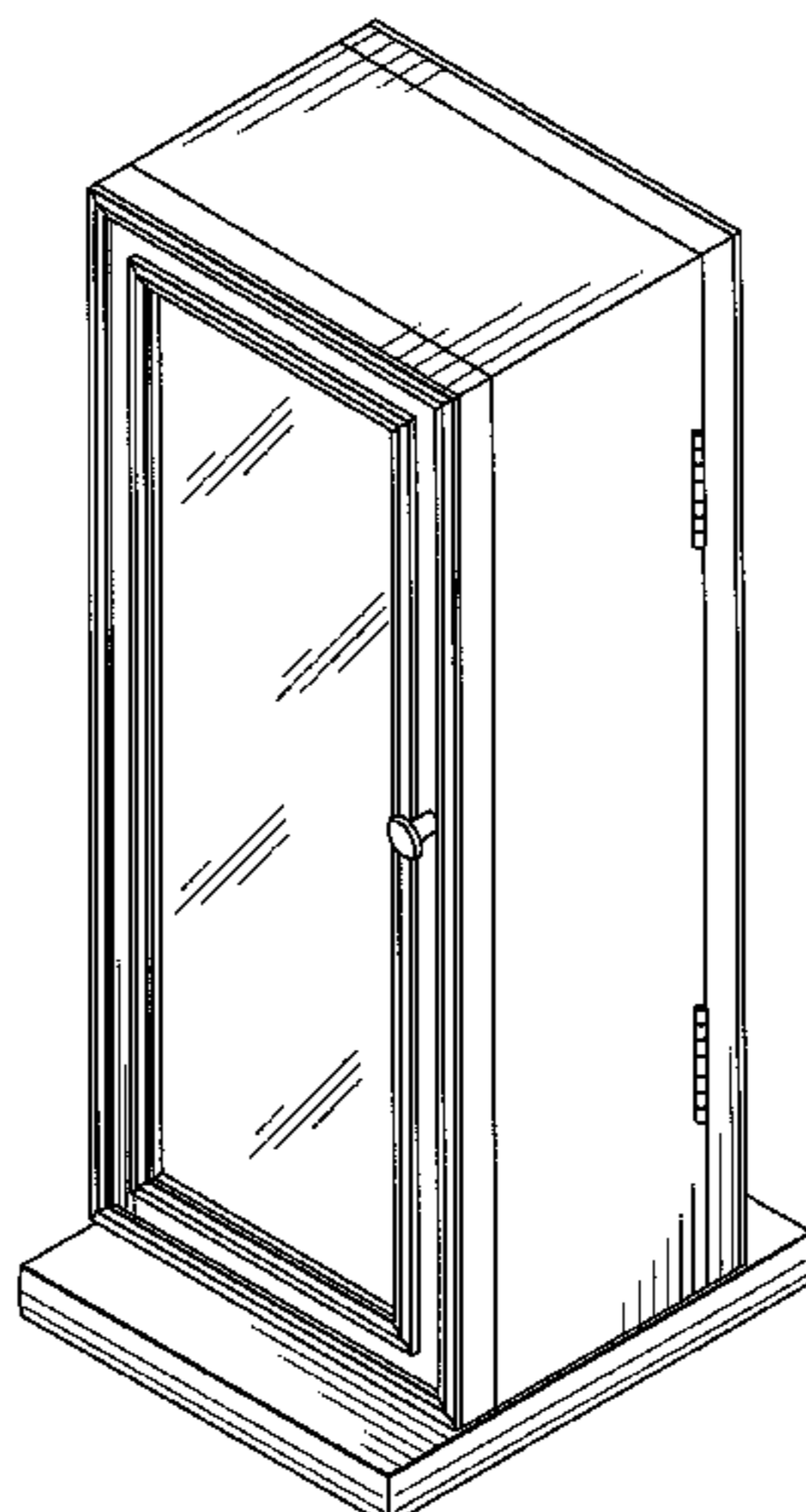
FIG. 5 is a rear elevation view thereof, the front elevational view being a mirror image of that shown;

FIG. 6 is a side elevation view thereof, the other side elevation view is a mirror image of that shown;

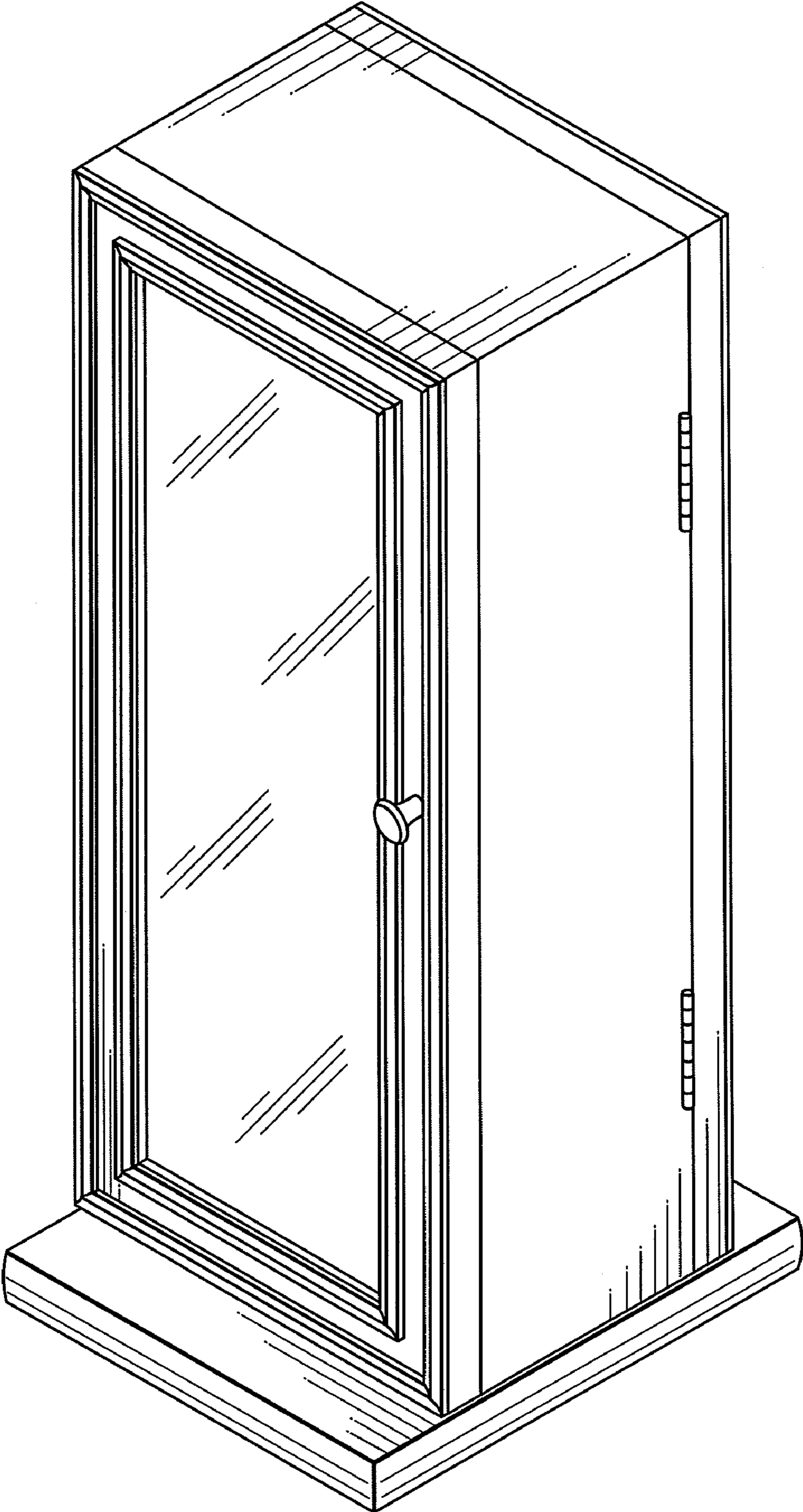
FIG. 7 is top plan view thereof; and,

FIG. 8 is a bottom plan view thereof.

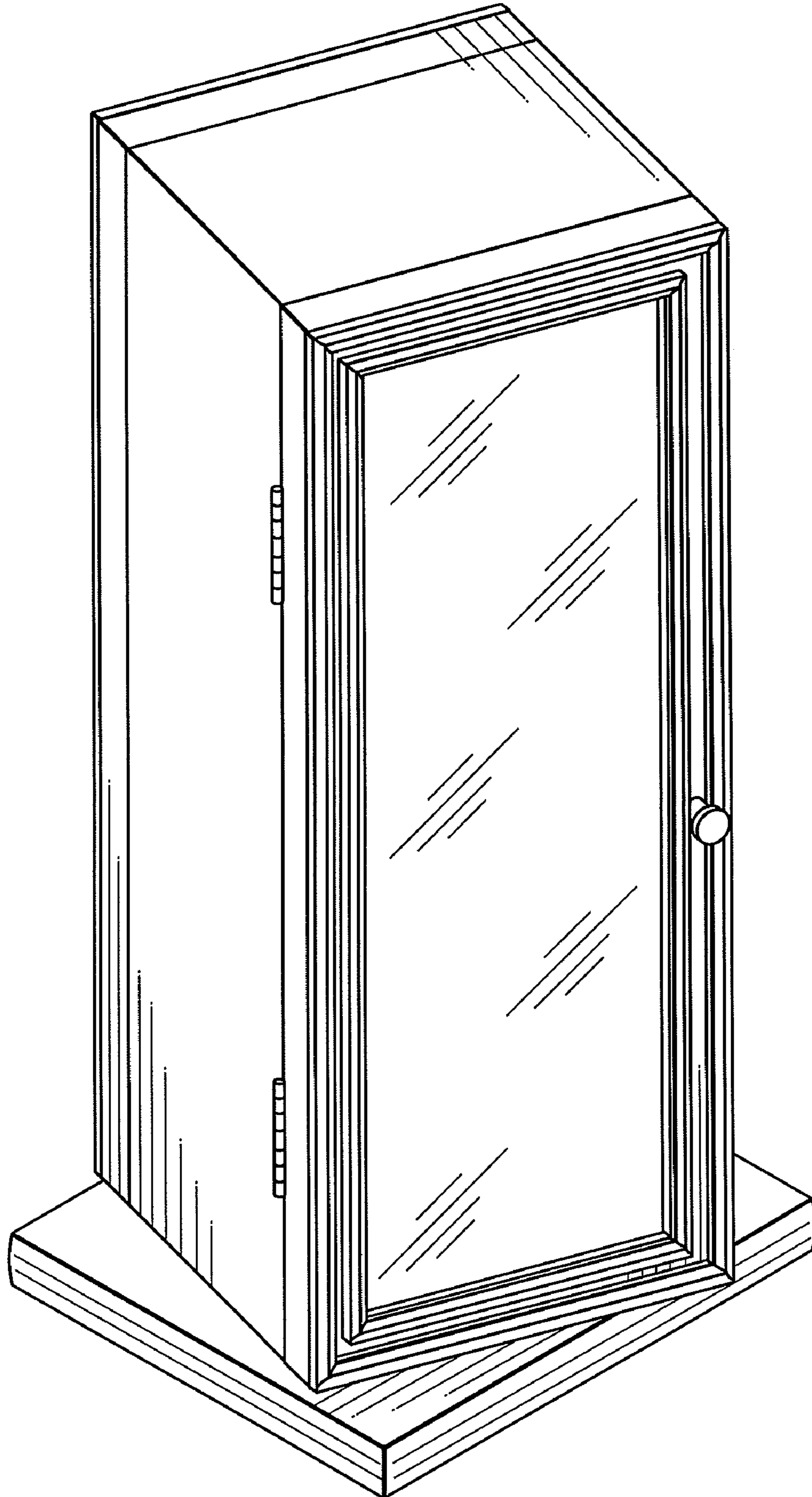
**1 Claim, 7 Drawing Sheets**



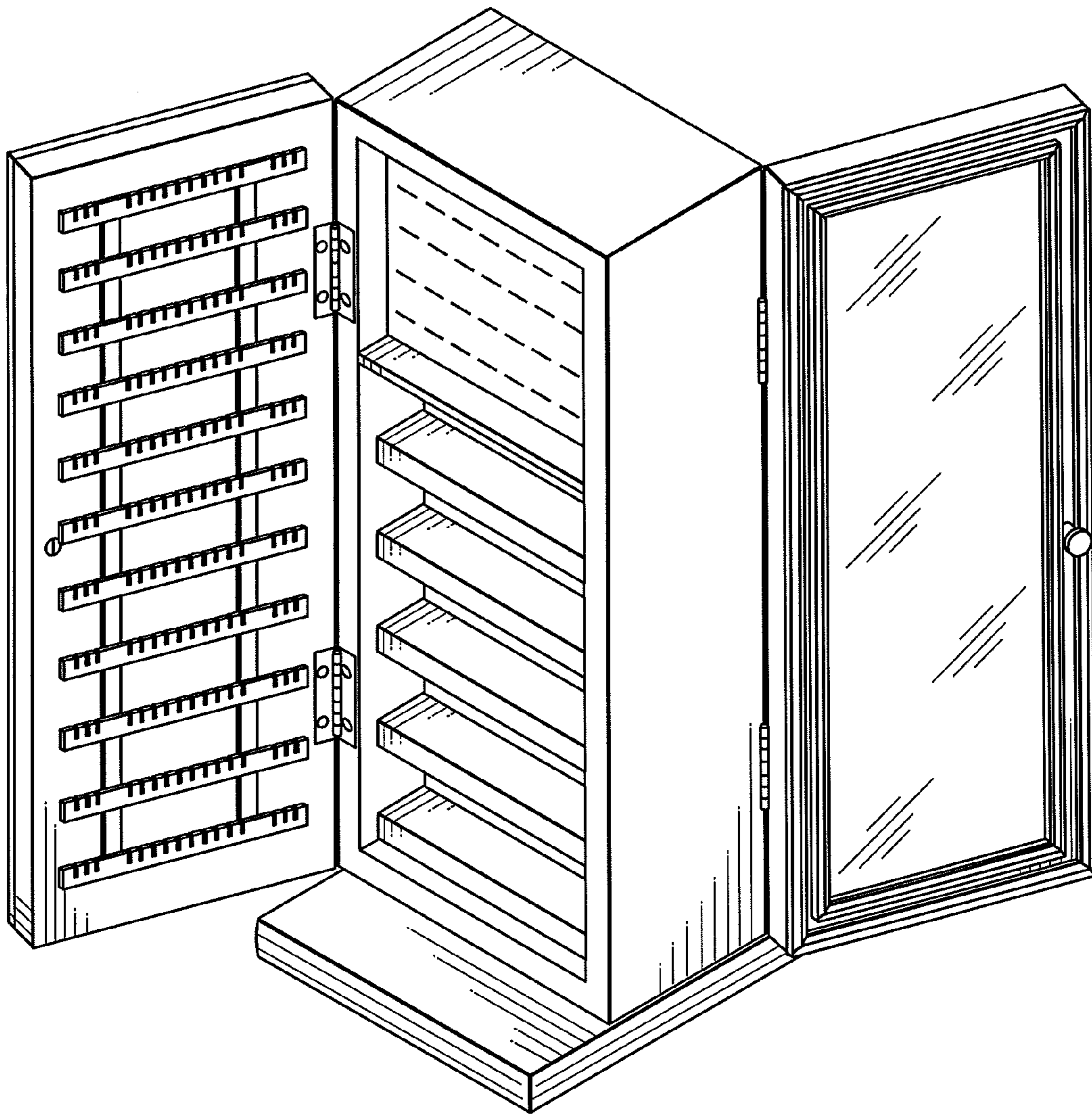
**Fig. 1**



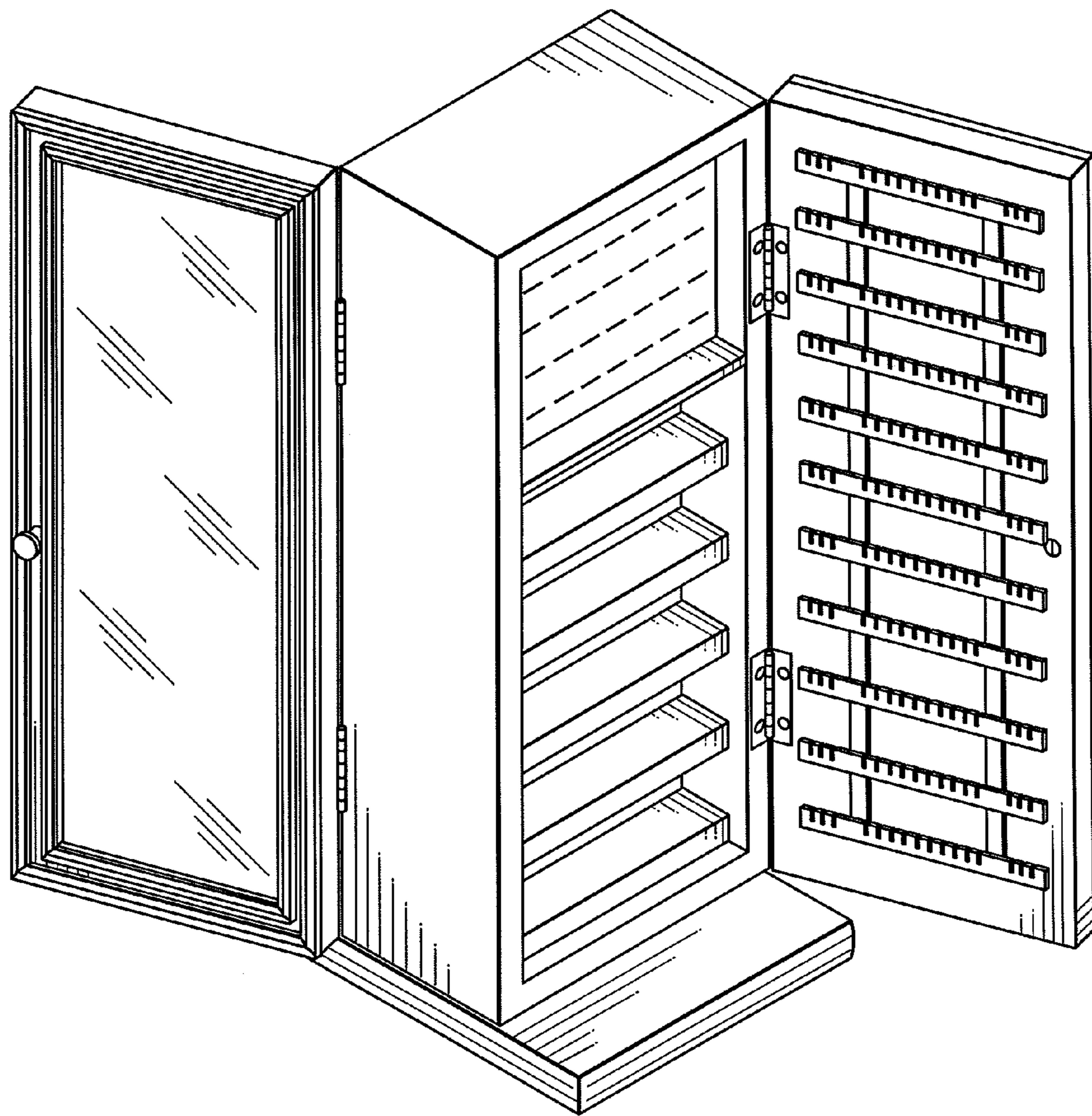
**Fig. 2**



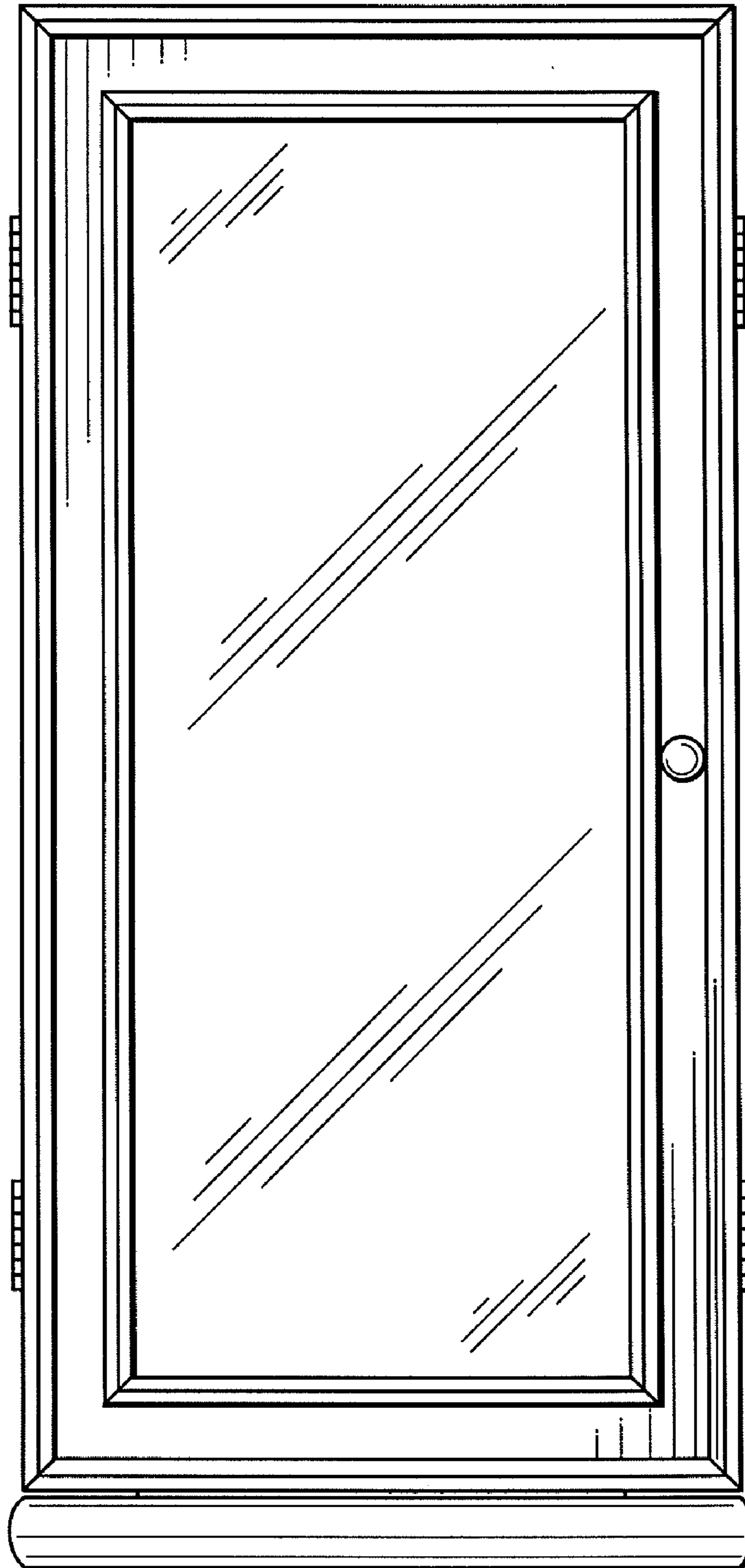
**Fig. 3**



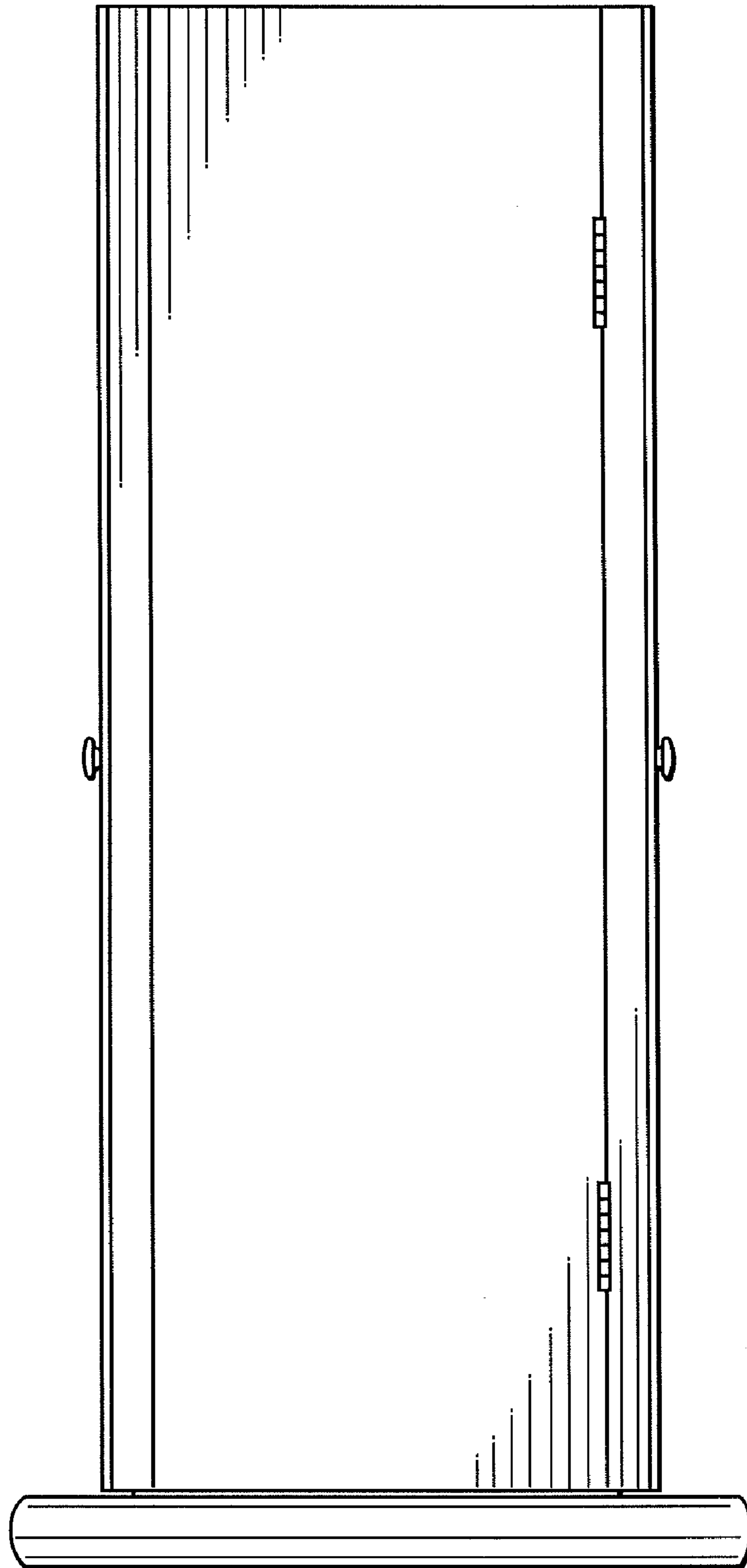
**Fig. 4**



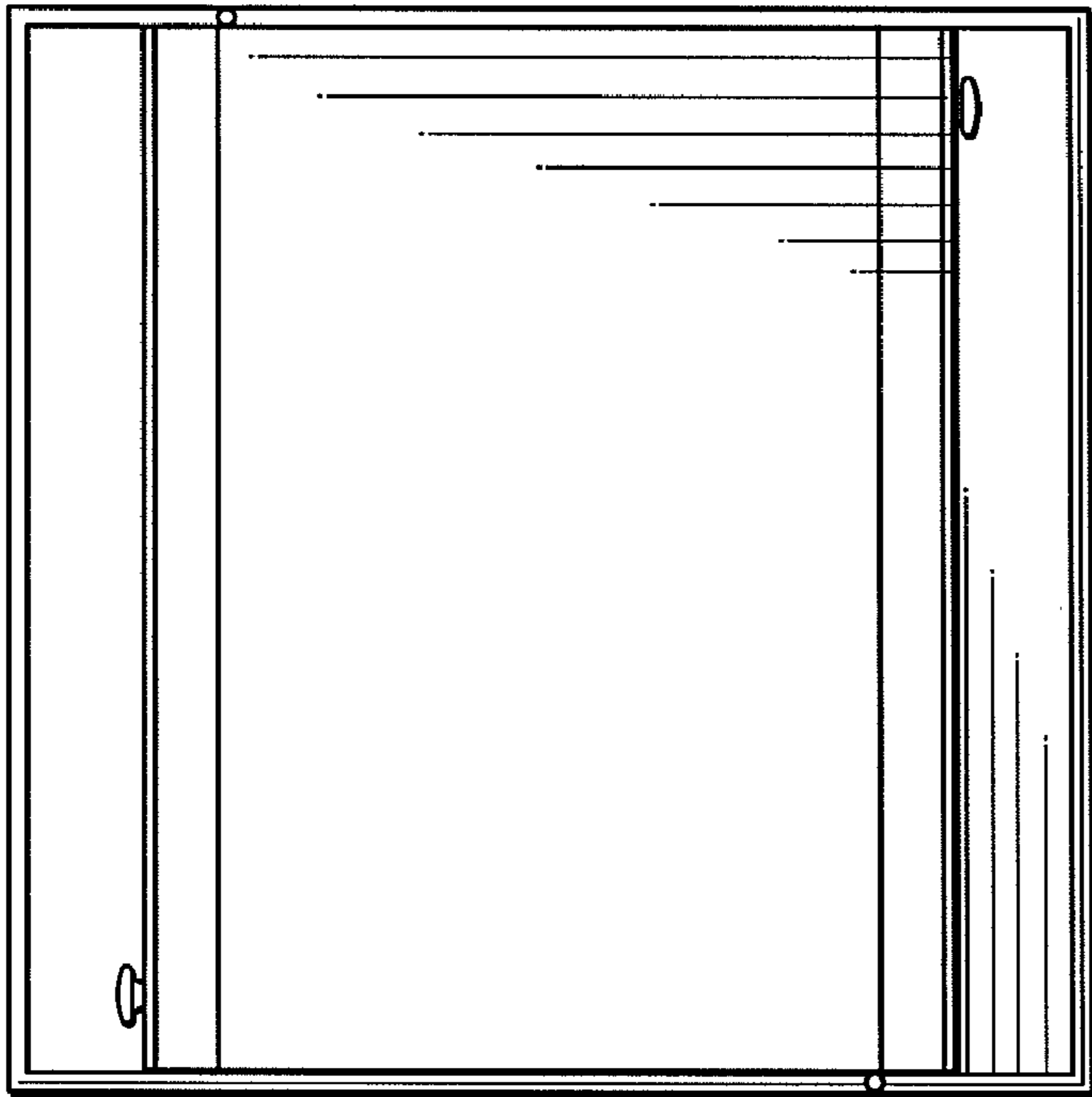
**Fig. 5**



**Fig. 6**



**Fig. 7**



**Fig. 8**

