



US00D569126S

(12) **United States Design Patent**  
**Sexton**

(10) **Patent No.:** **US D569,126 S**

(45) **Date of Patent:** **\*\* May 20, 2008**

(54) **DESK**

(75) Inventor: **James S Sexton**, San Ramon, CA (US)

(73) Assignee: **Z-Line Designs**, San Ramon, CA (US)

(\*\*) Term: **14 Years**

(21) Appl. No.: **29/268,669**

(22) Filed: **Nov. 9, 2006**

(51) **LOC (8) Cl.** ..... **06-03**

(52) **U.S. Cl.** ..... **D6/425; D6/484**

(58) **Field of Classification Search** ..... D6/422-428,  
D6/484, 421, 480; 108/50.01, 50.02, 91,  
108/92; 312/194-196, 208.1, 238, 239  
See application file for complete search history.

(56) **References Cited**

**U.S. PATENT DOCUMENTS**

D477,931 S *	8/2003	Chang	.....	D6/422
D501,339 S *	2/2005	Lai	.....	D6/480
D505,567 S *	5/2005	Chang	.....	D6/425
D516,340 S *	3/2006	Chang	.....	D6/426

\* cited by examiner

*Primary Examiner*—Janice E Seeger

(74) *Attorney, Agent, or Firm*—Townsend and Townsend and Crew LLP

(57) **CLAIM**

The ornamental design for a desk, as shown and described.

**DESCRIPTION**

FIG. 1 is a perspective view of a design for a desk showing my new design;

FIG. 2 is a top plan view thereof;

FIG. 3 is a front elevational view thereof;

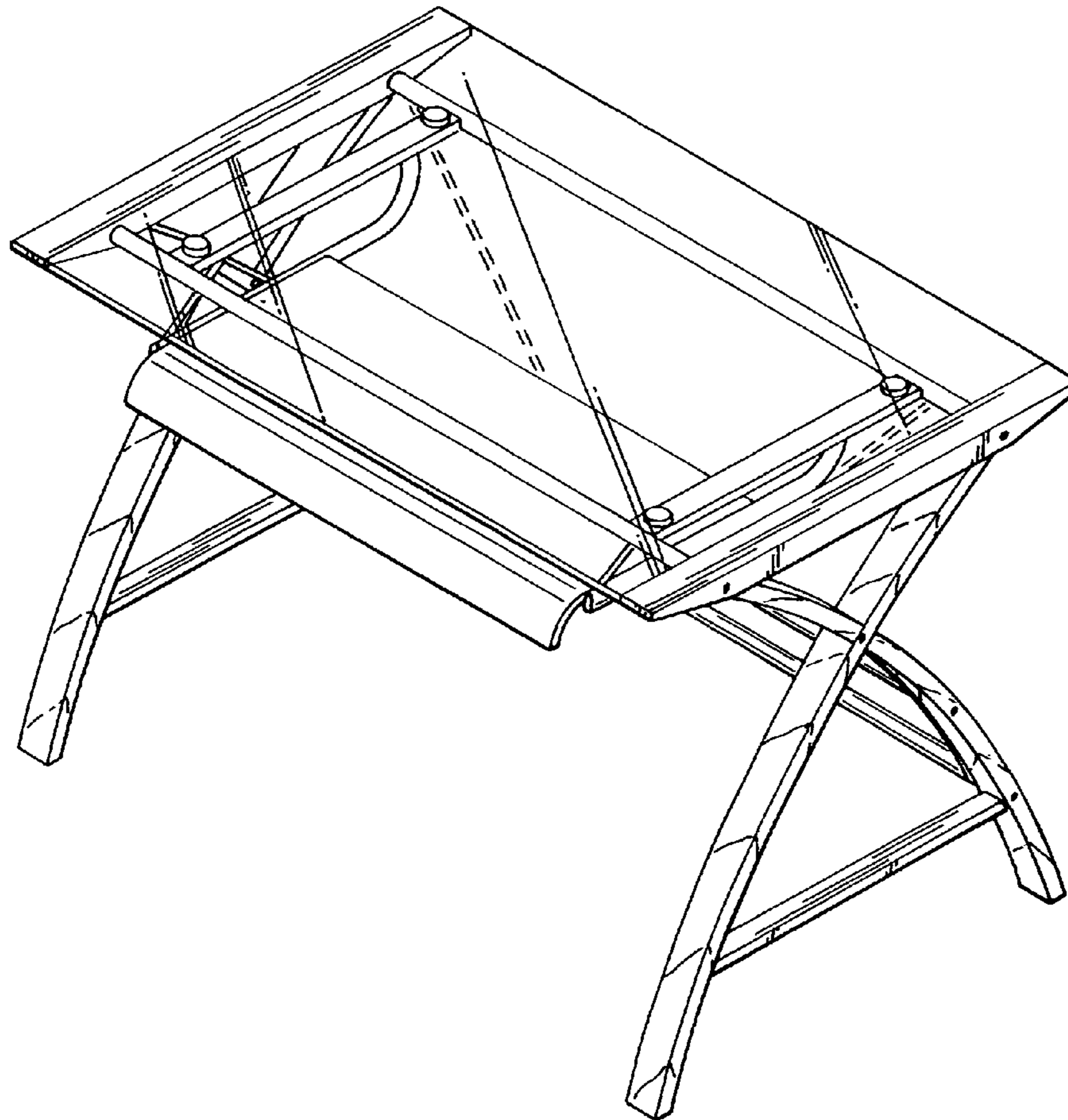
FIG. 4 is a right side elevational view thereof;

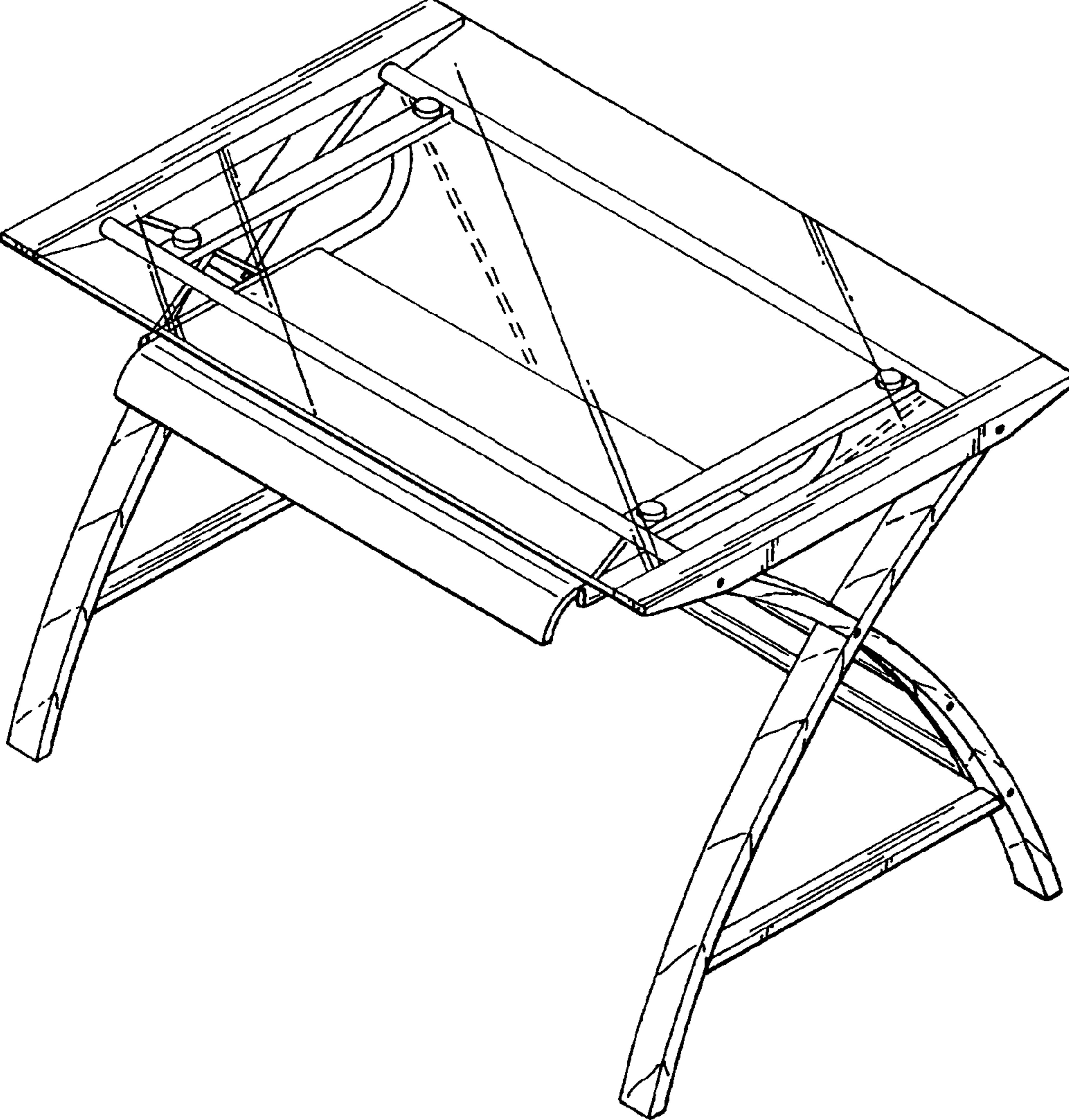
FIG. 5 is a left side elevational view thereof; and,

FIG. 6 is a rear elevational view thereof.

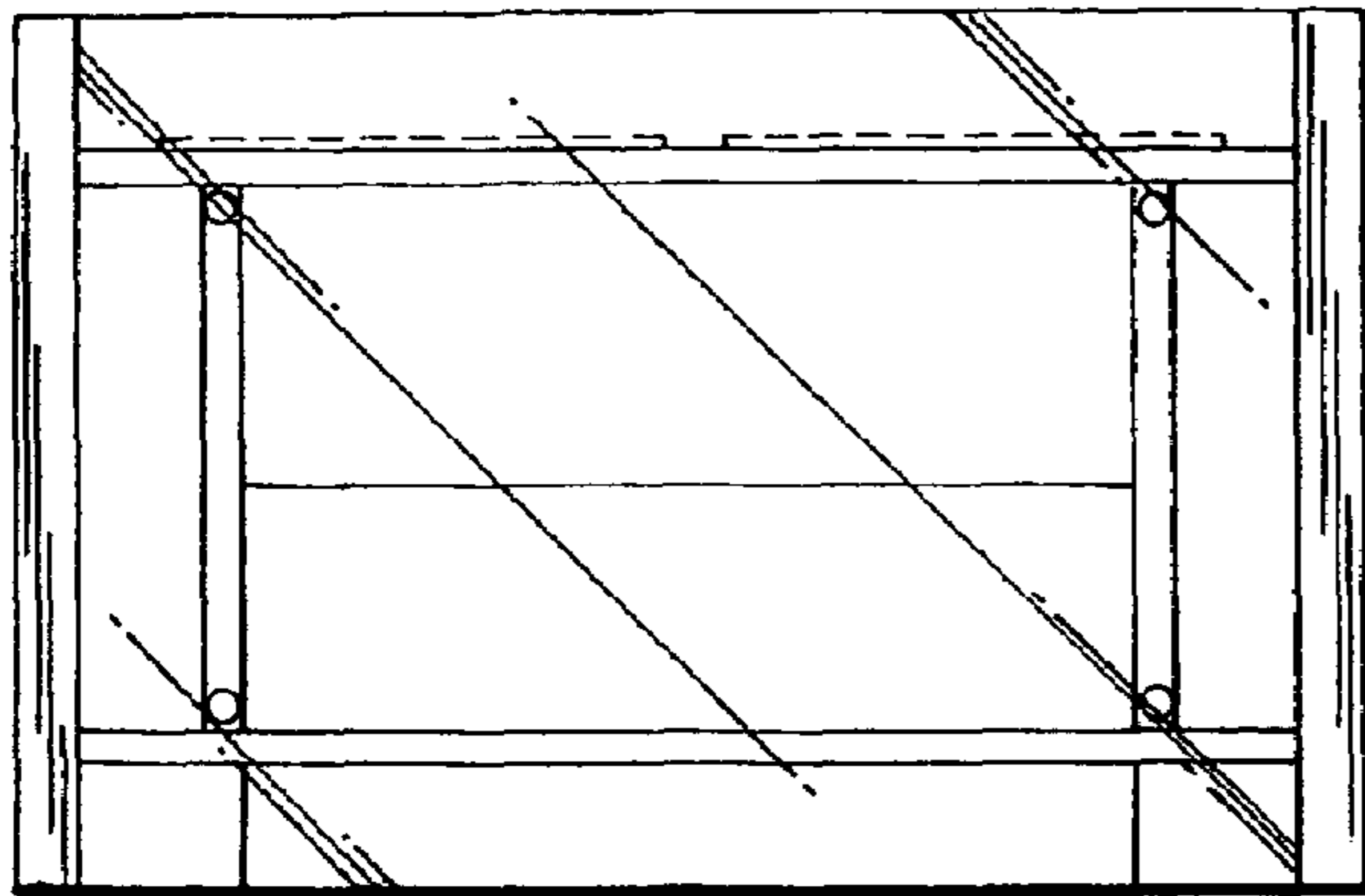
The dashed lines indicate the cross members that can be used to provide structural support for the desk of the present invention; namely of those portions of the desk which do not form a part of the design.

**1 Claim, 2 Drawing Sheets**

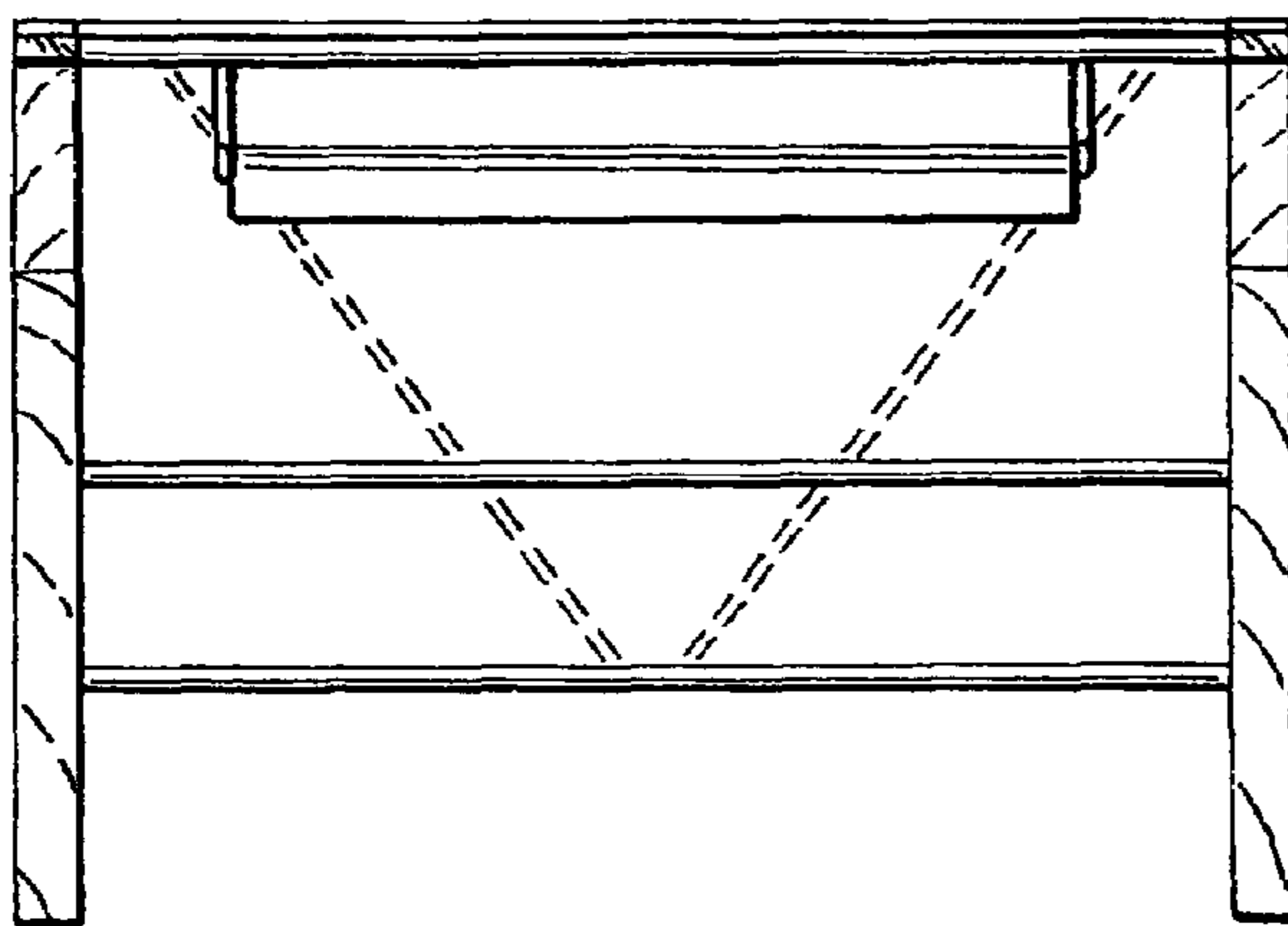




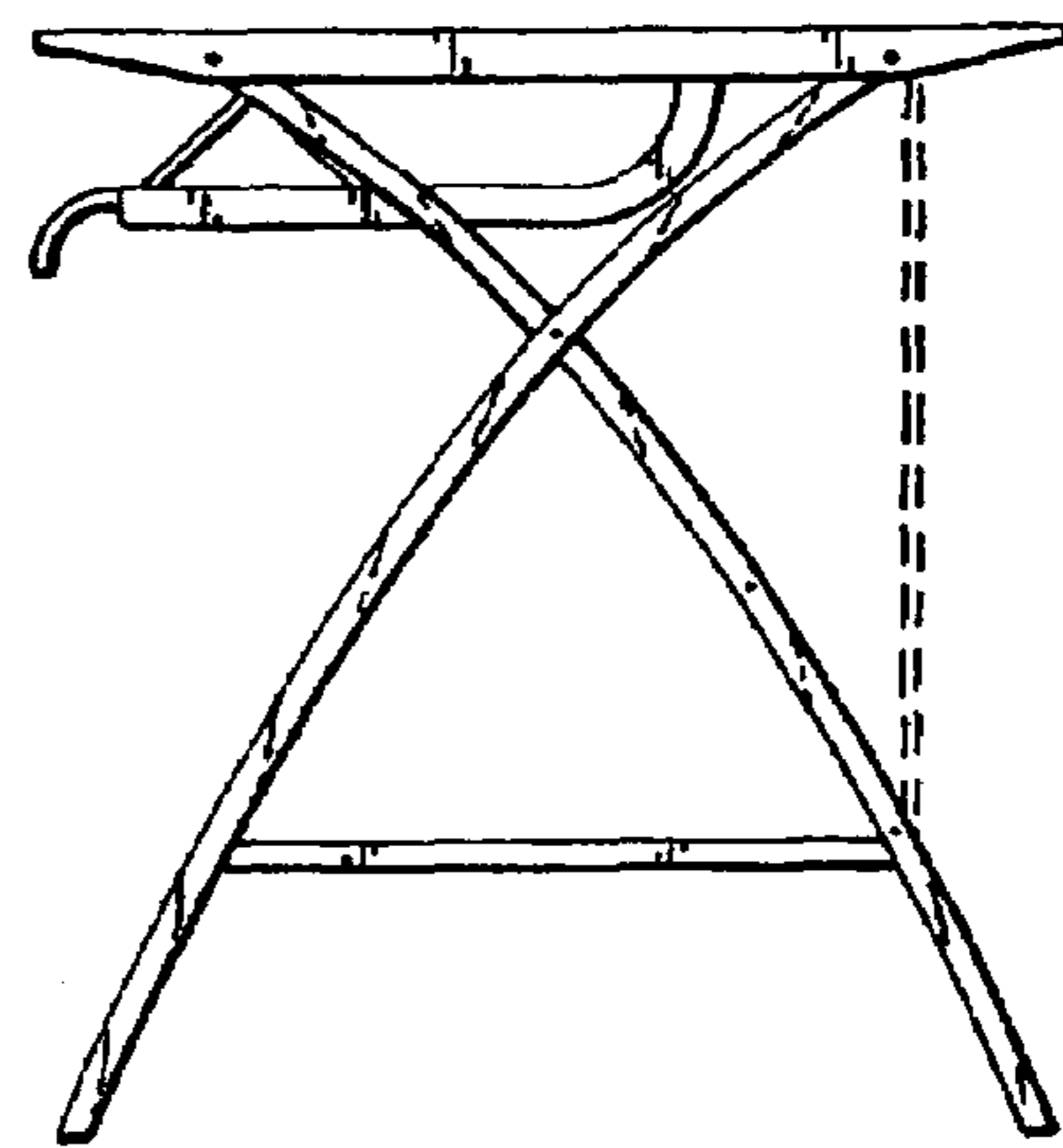
**FIG. 1**



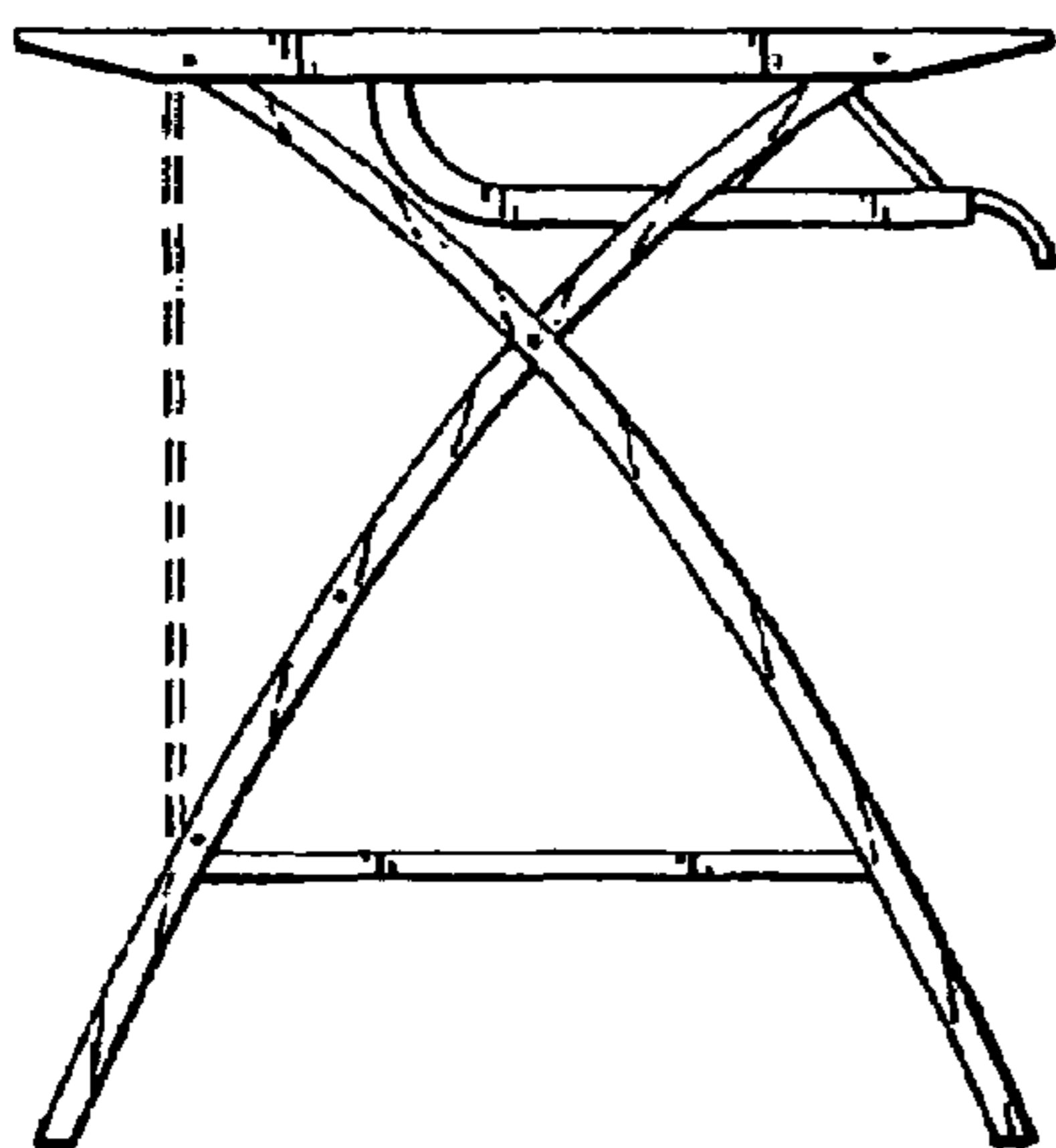
**FIG. 2**



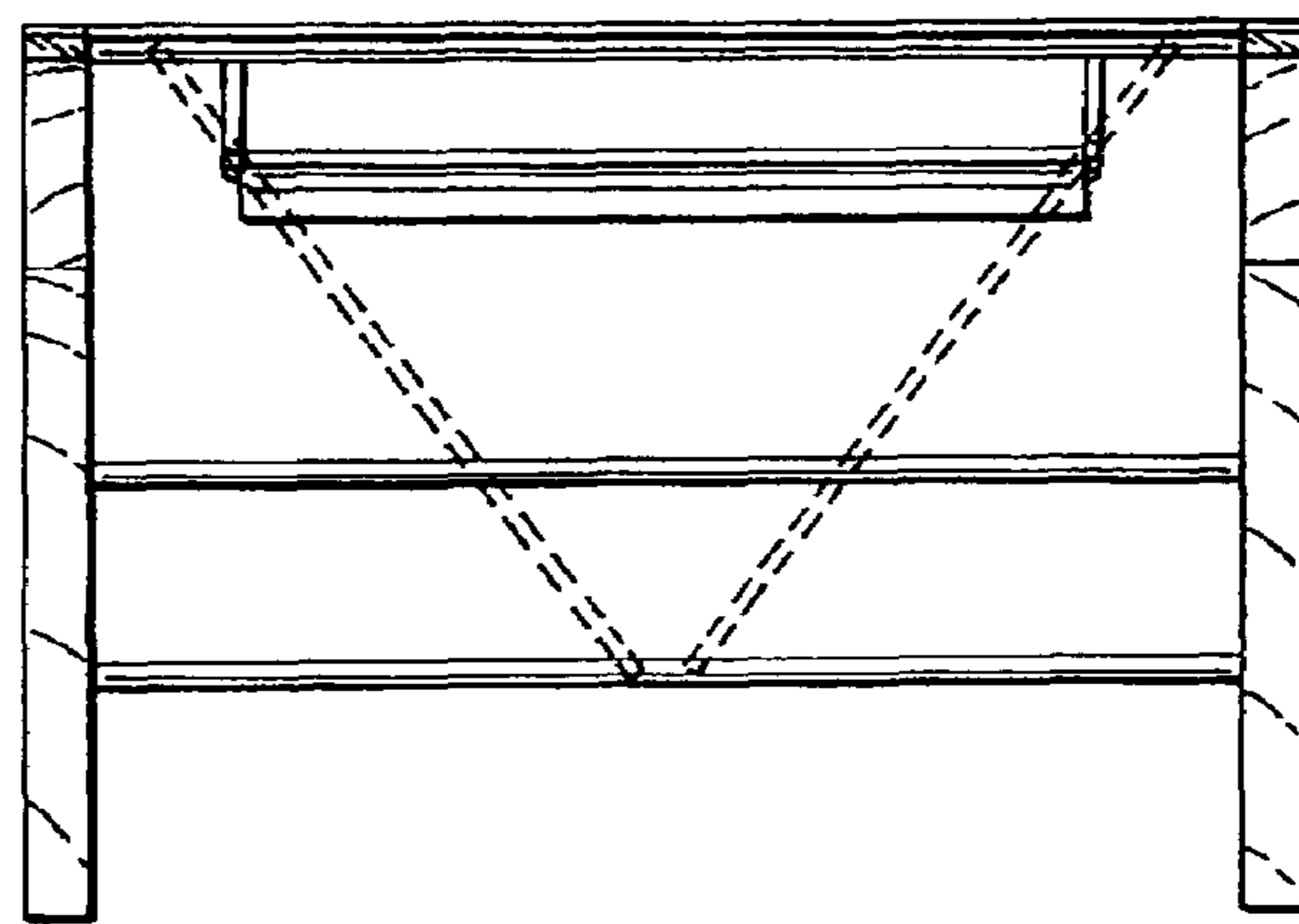
**FIG. 3**



**FIG. 4**



**FIG. 5**



**FIG. 6**