



US00D569123S

(12) **United States Design Patent**
Rooz et al.

(10) **Patent No.:** **US D569,123 S**

(45) **Date of Patent:** **** May 20, 2008**

(54) **BED**
(75) Inventors: **David Rooz**, Carcur (IL); **Max Jano**,
Mazkeret Batya (IL); **Itzhak Regev**, Tel
Aviv (IL)

4,292,698 A * 10/1981 Acker 5/45
D272,968 S * 3/1984 Fairaizen D6/381
5,787,522 A * 8/1998 Swihart 5/45
D527,196 S * 8/2006 Antonioni D6/381

(73) Assignee: **Aminach Bedding & Furniture
Manufacturing Ltd**, Ramle (IL)

* cited by examiner

Primary Examiner—Sandra Snapp
(74) *Attorney, Agent, or Firm*—The Nath Law Group; Jerald
L. Meyer; Derek Richmond

(**) Term: **14 Years**

(21) Appl. No.: **29/273,388**

(57) **CLAIM**

(22) Filed: **Mar. 5, 2007**

The ornamental design for a bed, as shown and described.

(30) **Foreign Application Priority Data**

DESCRIPTION

Sep. 6, 2006 (IL) 43026

(51) **LOC (8) Cl.** **06-01**

(52) **U.S. Cl.** **D6/381**

(58) **Field of Classification Search** D6/334,
D6/335, 337, 341, 349, 353, 354, 377, 367–369,
D6/381, 383, 492, 500–502; 5/12.1, 12.2;
297/16.1, 232, 16.2, 245, 283.2, 353, 354.1,
297/445.1, 448.1

FIG. 1 is an isometric view of the bed at a first position;
FIG. 2 is a top view of the FIG. 1;
FIG. 3 is a bottom view of FIG. 1;
FIG. 4 is a right side view of the embodiment seen in FIG.
1;
FIG. 5 is left-side view of the embodiment seen in FIG. 5;
FIG. 6 is a front view of the embodiment seen in FIG. 1;
FIG. 7 is a back view of the embodiment seen in FIG. 1;
FIG. 8 is a left view of the bed at a second position; and,
FIG. 9 is a right-side view of the bed at its second position.

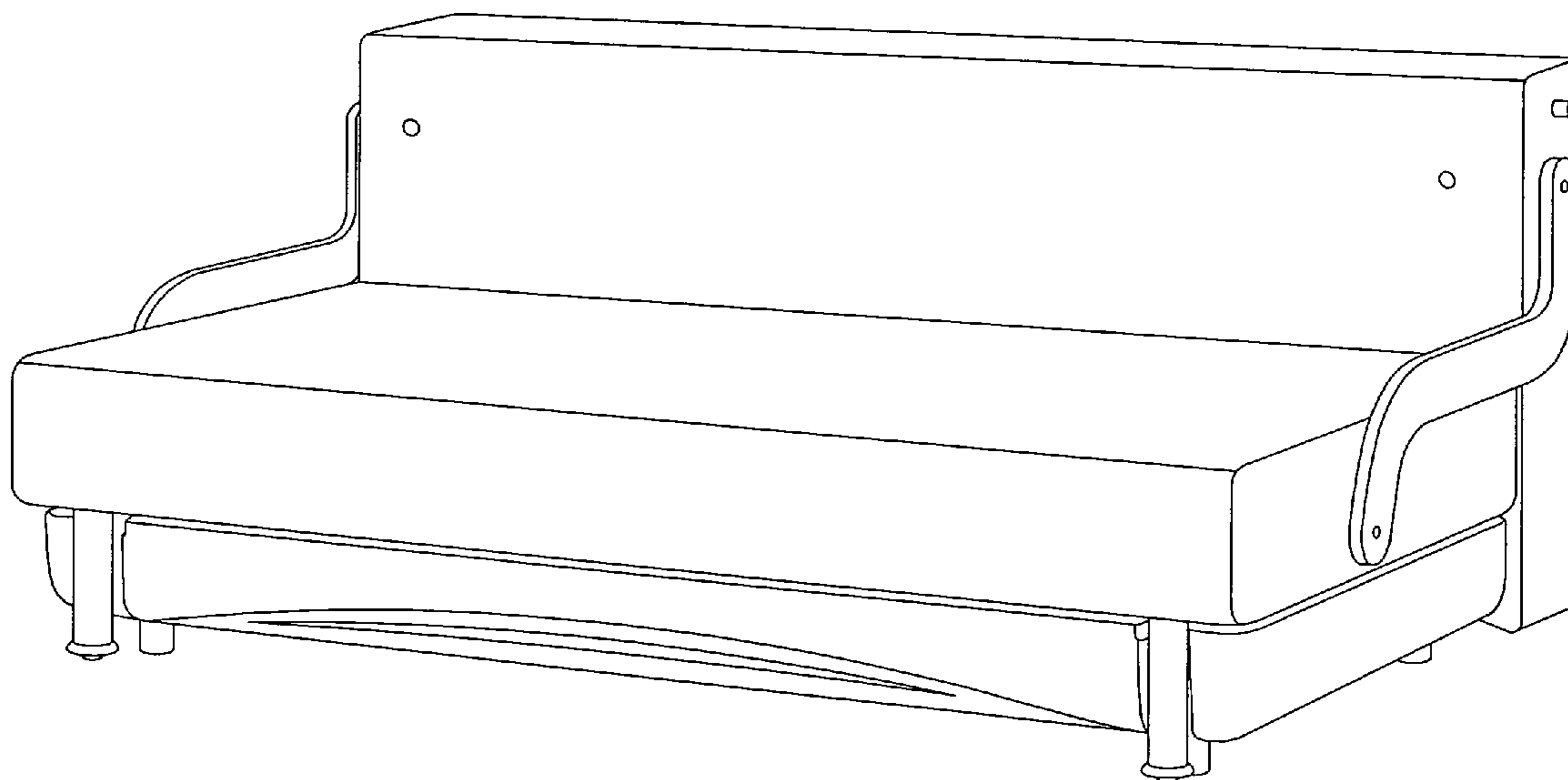
See application file for complete search history.

(56) **References Cited**

U.S. PATENT DOCUMENTS

4,110,855 A * 9/1978 Acker 5/45

1 Claim, 7 Drawing Sheets



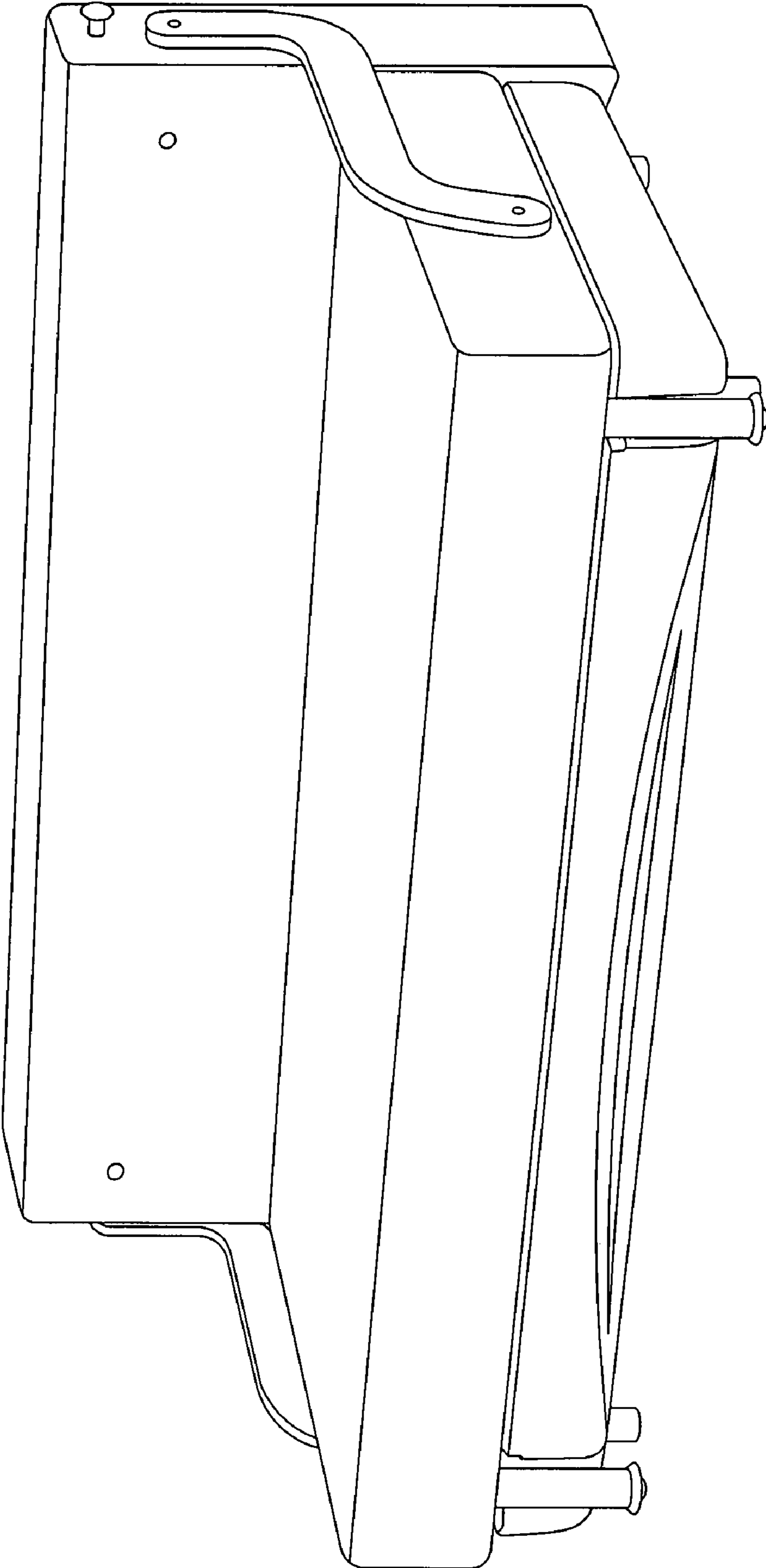


FIG.1

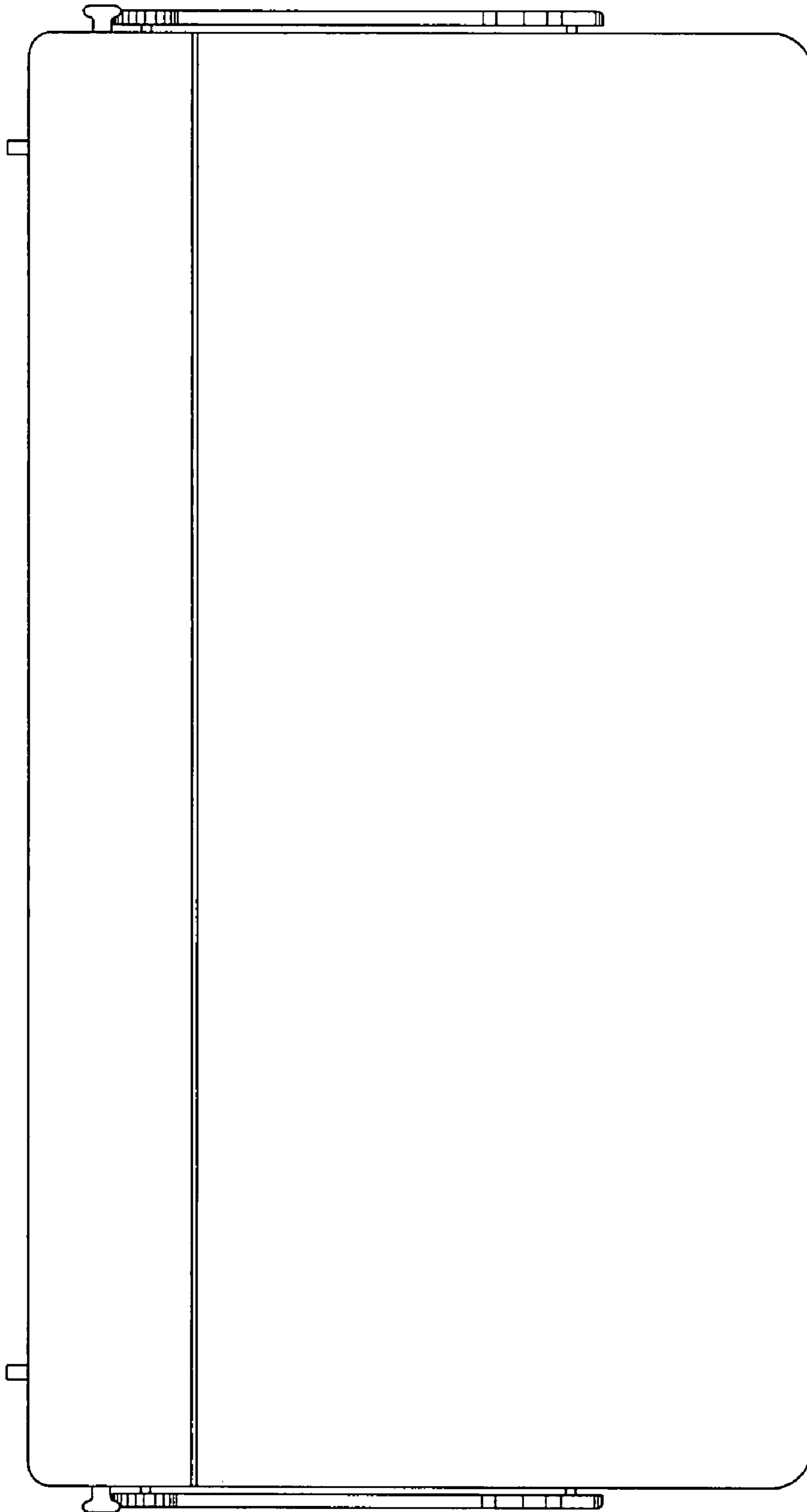


FIG. 2

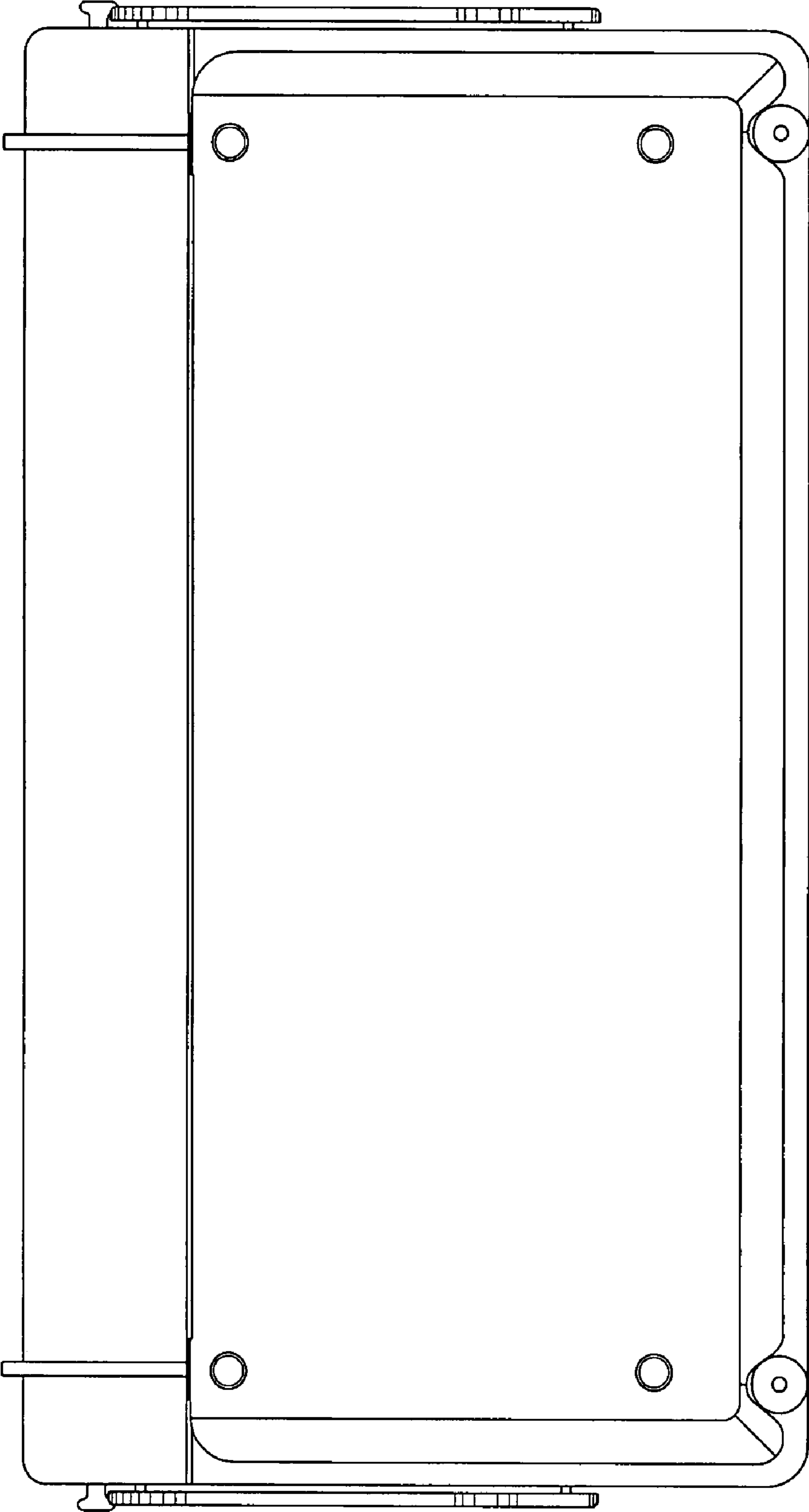


FIG. 3

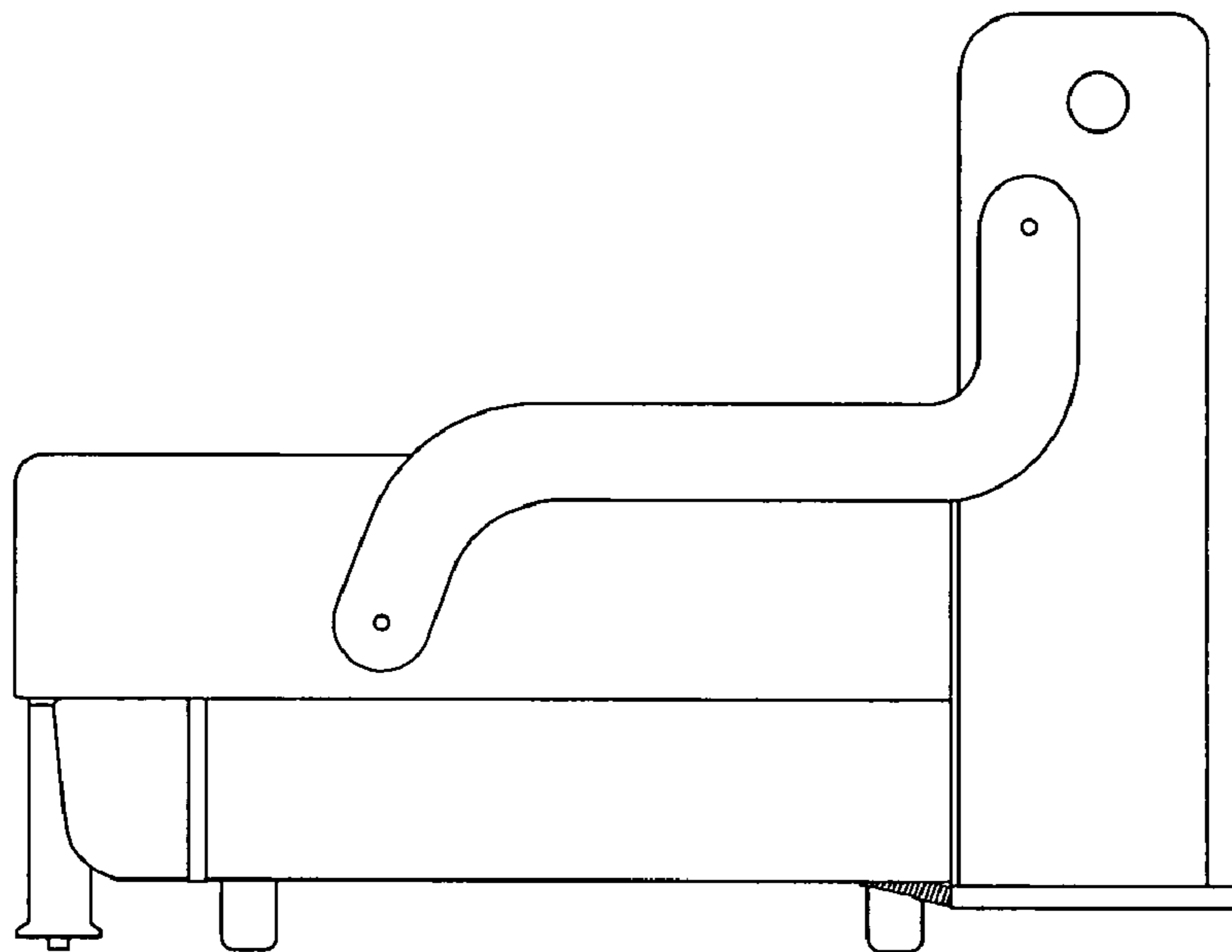


FIG. 4

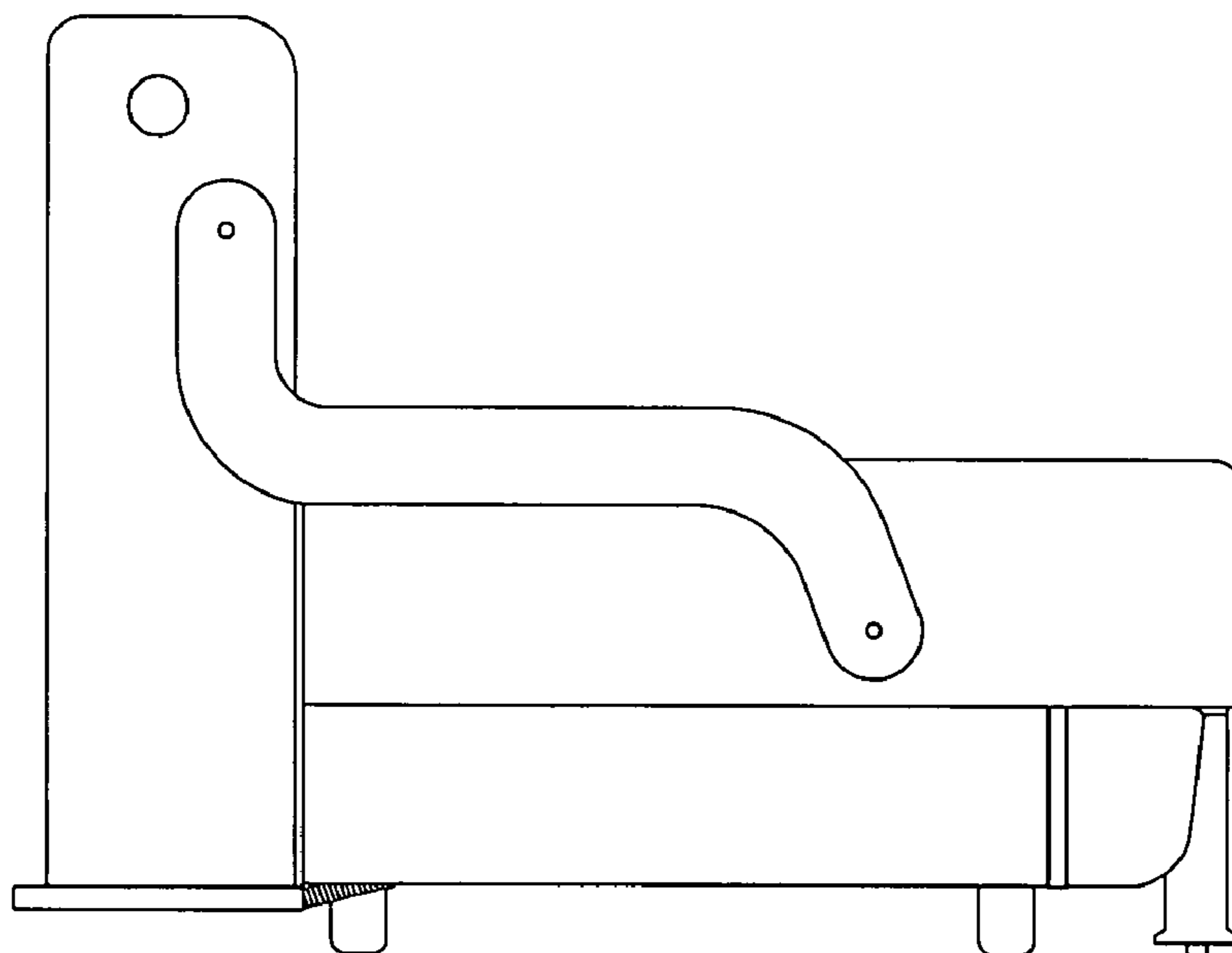


FIG. 5

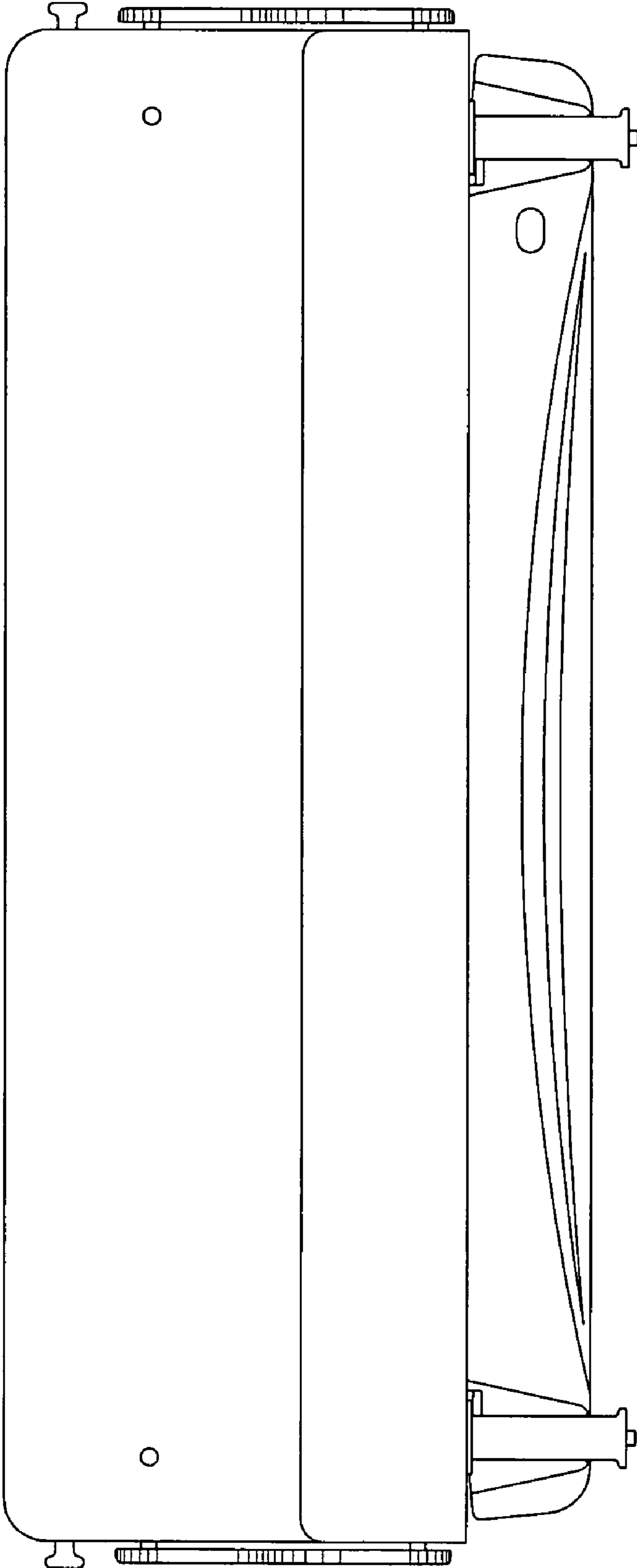


FIG. 6

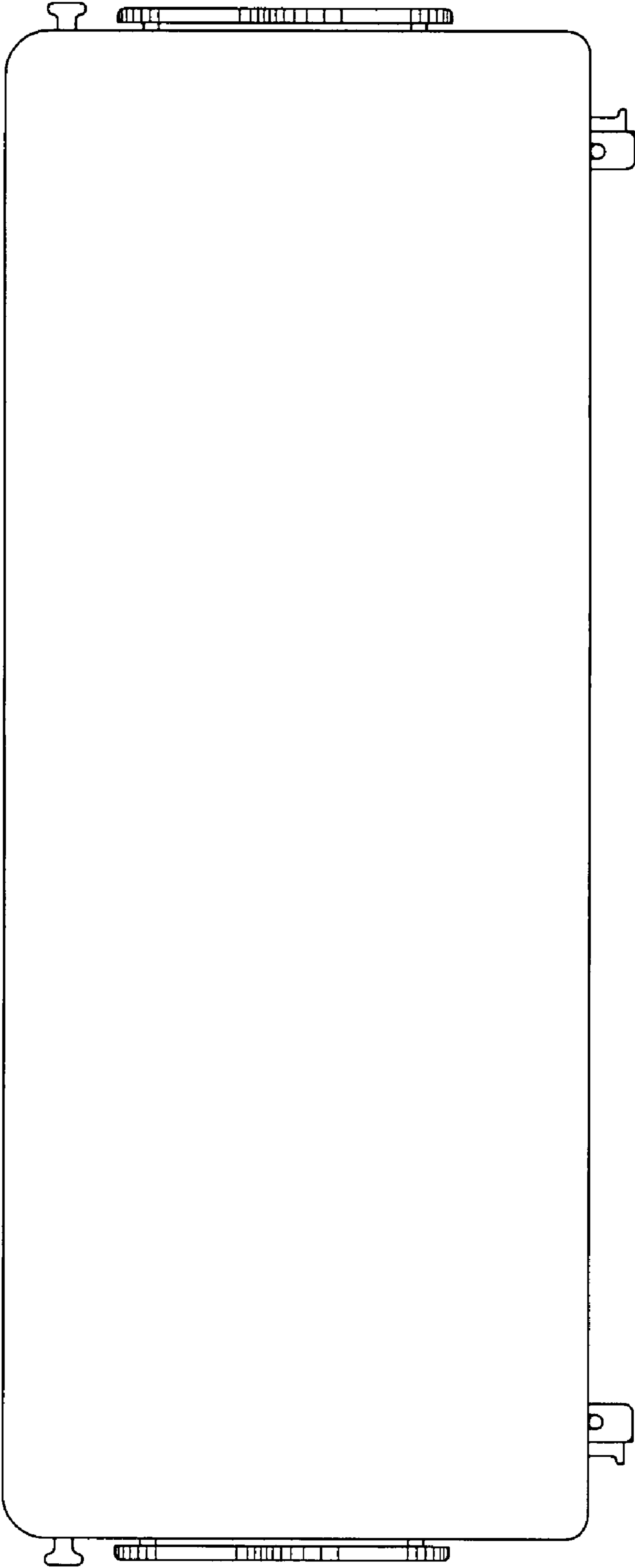


FIG. 7

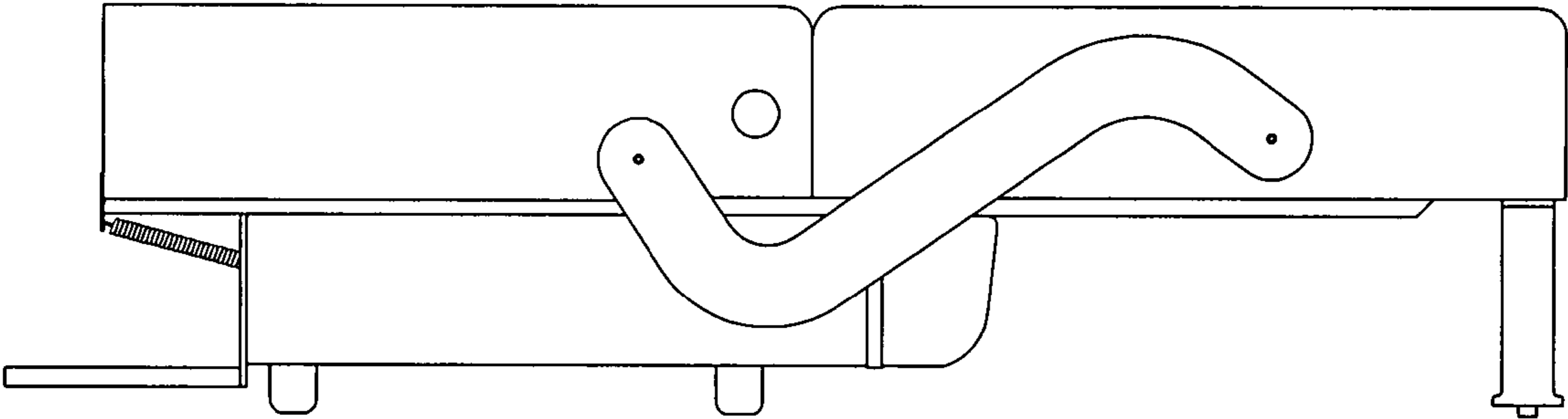


FIG. 8

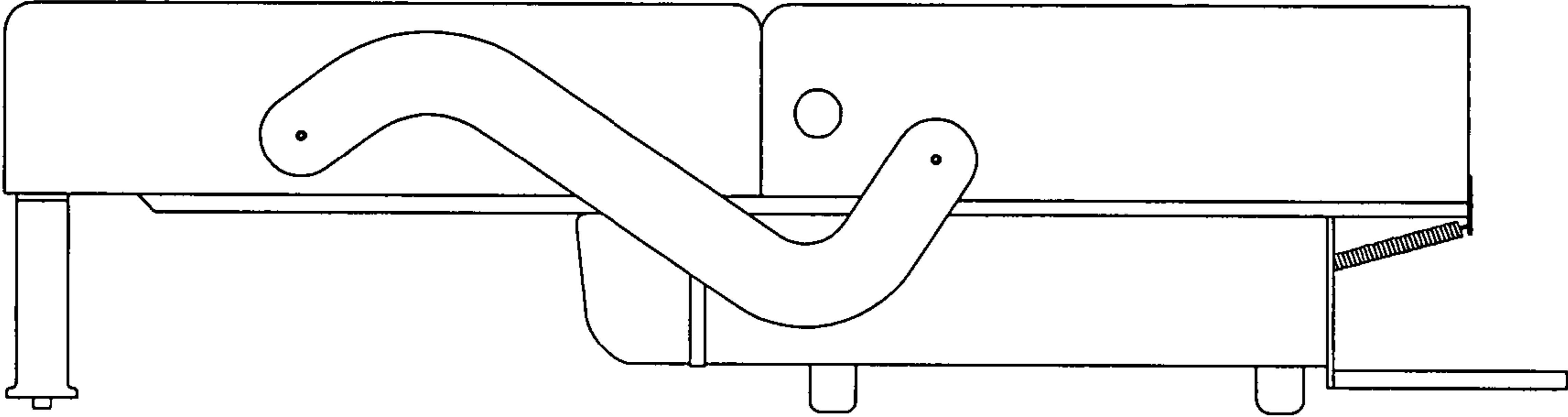


FIG. 9