

US00D569122S

(12) **United States Design Patent**
Flaherty

(10) **Patent No.:** **US D569,122 S**

(45) **Date of Patent:** **** May 20, 2008**

(54) **BENCH**

(75) Inventor: **Richard A Flaherty**, Grapeview, WA
(US)

(73) Assignee: **Leader Manufacturing, Inc.**, Port
Orchard, WA (US)

(**) Term: **14 Years**

(21) Appl. No.: **29/221,126**

(22) Filed: **Jan. 11, 2005**

(51) **LOC (8) Cl.** **06-01**

(52) **U.S. Cl.** **D6/381**

(58) **Field of Classification Search** D6/334,
D6/335, 337, 357, 361, 364, 367, 371, 378,
D6/381, 382, 383, 393, 500-503; 297/62-63,
297/38, 118, 232-233, 244-245, 311, 445.1,
297/446.1; 5/12.1, 28, 42

See application file for complete search history.

(56) **References Cited**

U.S. PATENT DOCUMENTS

153,019	A *	7/1874	Ross	297/450.1
763,617	A *	6/1904	Lemon	297/447.1
D48,329	S *	12/1915	Severt	D6/348
D61,891	S *	2/1923	Cohee	D6/370
2,097,884	A *	11/1937	Kann	297/287
D216,115	S *	11/1969	Suzuki	D6/370
D240,097	S *	6/1976	Box	D6/370
4,113,312	A *	9/1978	Skalka	297/452.63
D253,142	S *	10/1979	Herman	D6/370
D263,353	S *	3/1982	Beals	D6/370
D270,500	S *	9/1983	Harper et al.	D6/344
D271,636	S *	12/1983	Matthias	D6/381
D314,677	S *	2/1991	Hanna	D6/381

D361,901	S *	9/1995	Szekely	D6/370
D381,831	S *	8/1997	Prehart	D6/347
D384,512	S *	10/1997	Skalka	D6/370
5,957,536	A *	9/1999	Sullivan	297/452.2
D414,952	S *	10/1999	Slear	D6/370
D419,326	S *	1/2000	Davidson	D6/370
D450,498	S *	11/2001	Skalka	D6/500
D492,132	S *	6/2004	Pappas	D6/381

OTHER PUBLICATIONS

Riviera Bench, Bench 137, Esplanade Series Model ES-2 & ES-3, and The Esplanade Group Model ES-1, Sweets catalog file, 2004, vol. 1.*

Drawings of bench on sale more than one year prior to Jan. 11, 2005.

* cited by examiner

Primary Examiner—Sandra Snapp

(74) *Attorney, Agent, or Firm*—Van Dyke, Gardner, Linn & Burkhardt, LLP

(57) **CLAIM**

The ornamental design for a bench, as shown and described.

DESCRIPTION

FIG. 1 is a right side perspective view of a bench showing my new design;

FIG. 2 is a front elevation of FIG. 1;

FIG. 3 is a back elevation of FIG. 1;

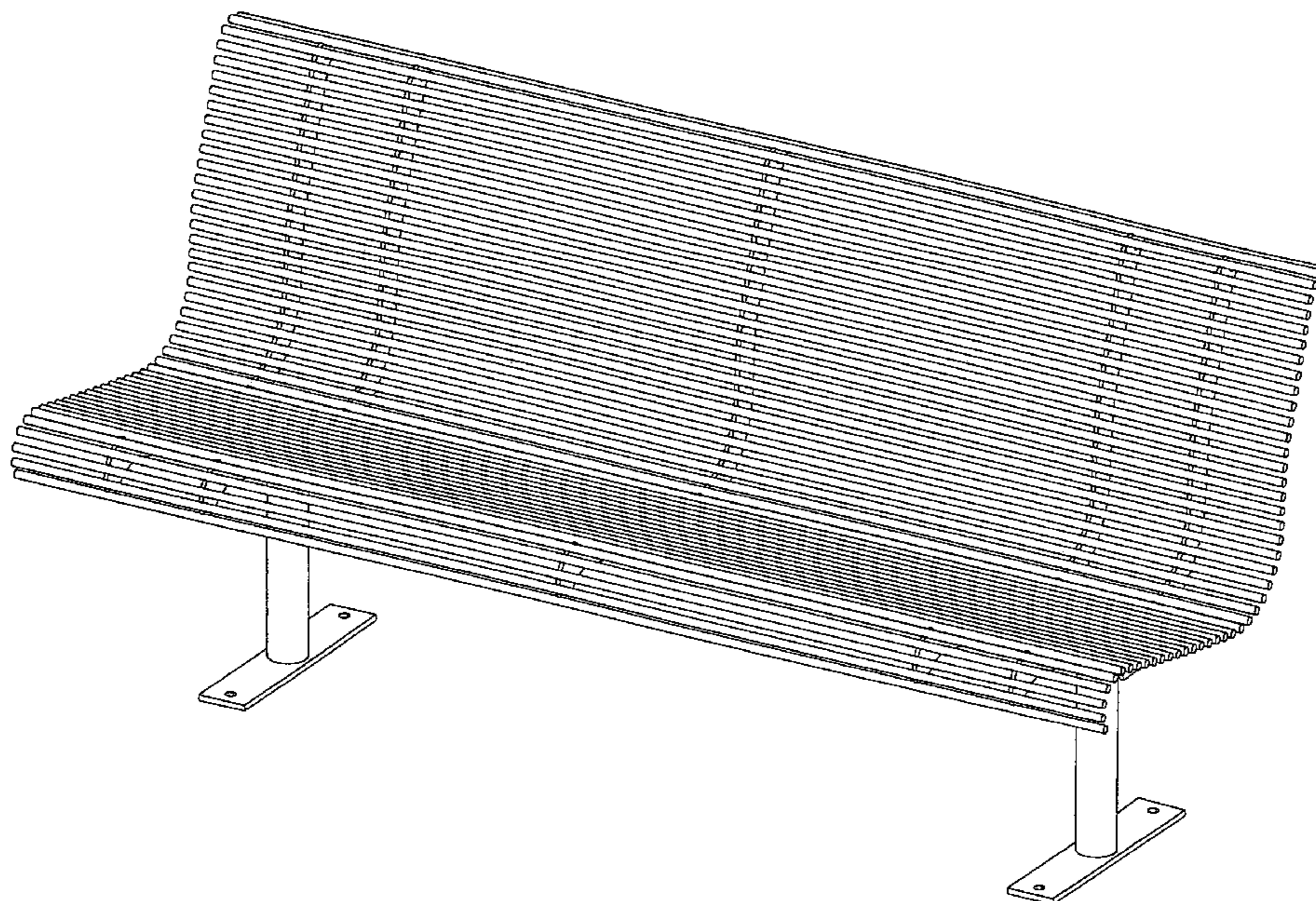
FIG. 4 is a top plan view of FIG. 1;

FIG. 5 is a bottom plan view of FIG. 1;

FIG. 6 is a right side elevation of FIG. 1; and,

FIG. 7 is a left side elevation of FIG. 1.

1 Claim, 7 Drawing Sheets



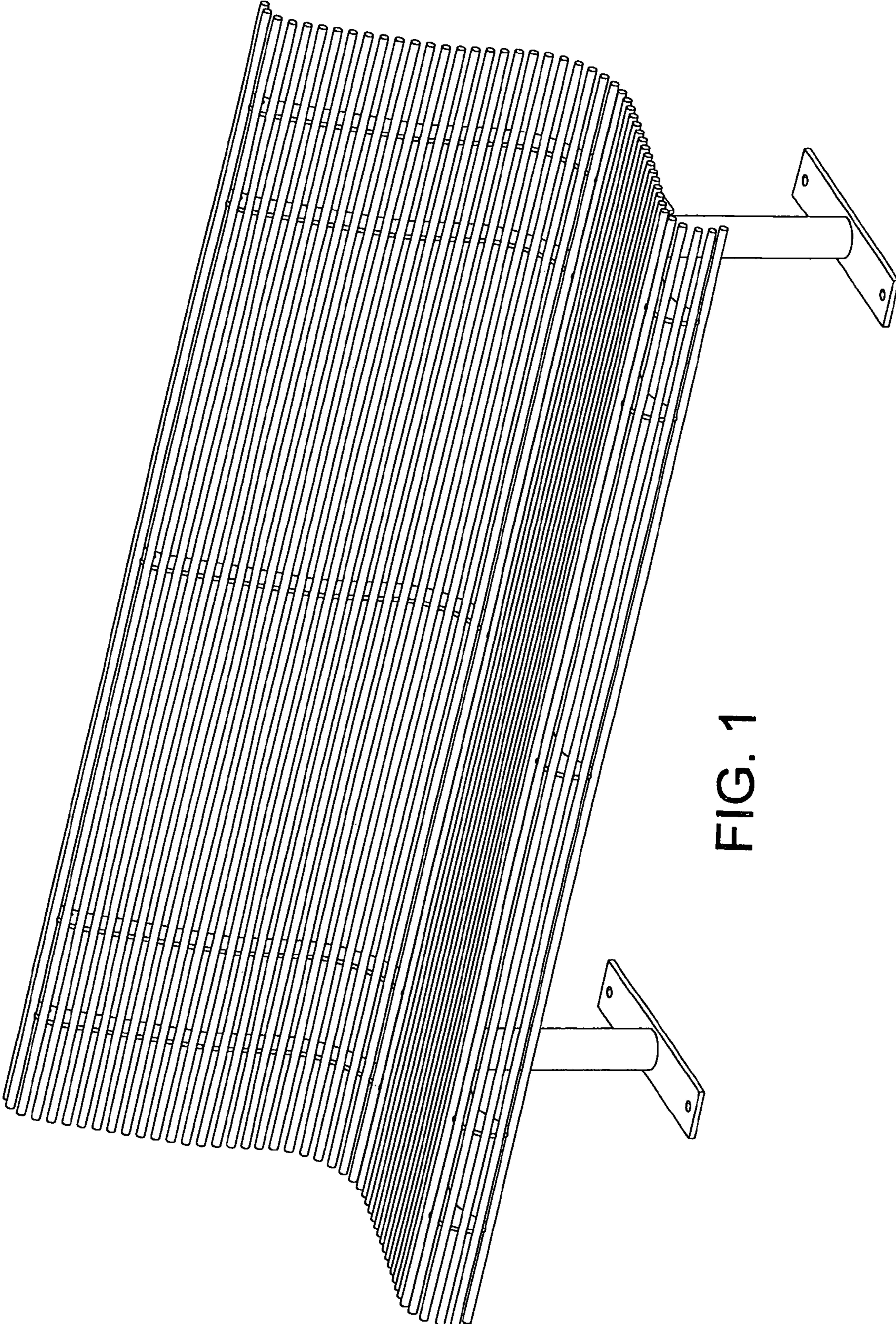


FIG. 1

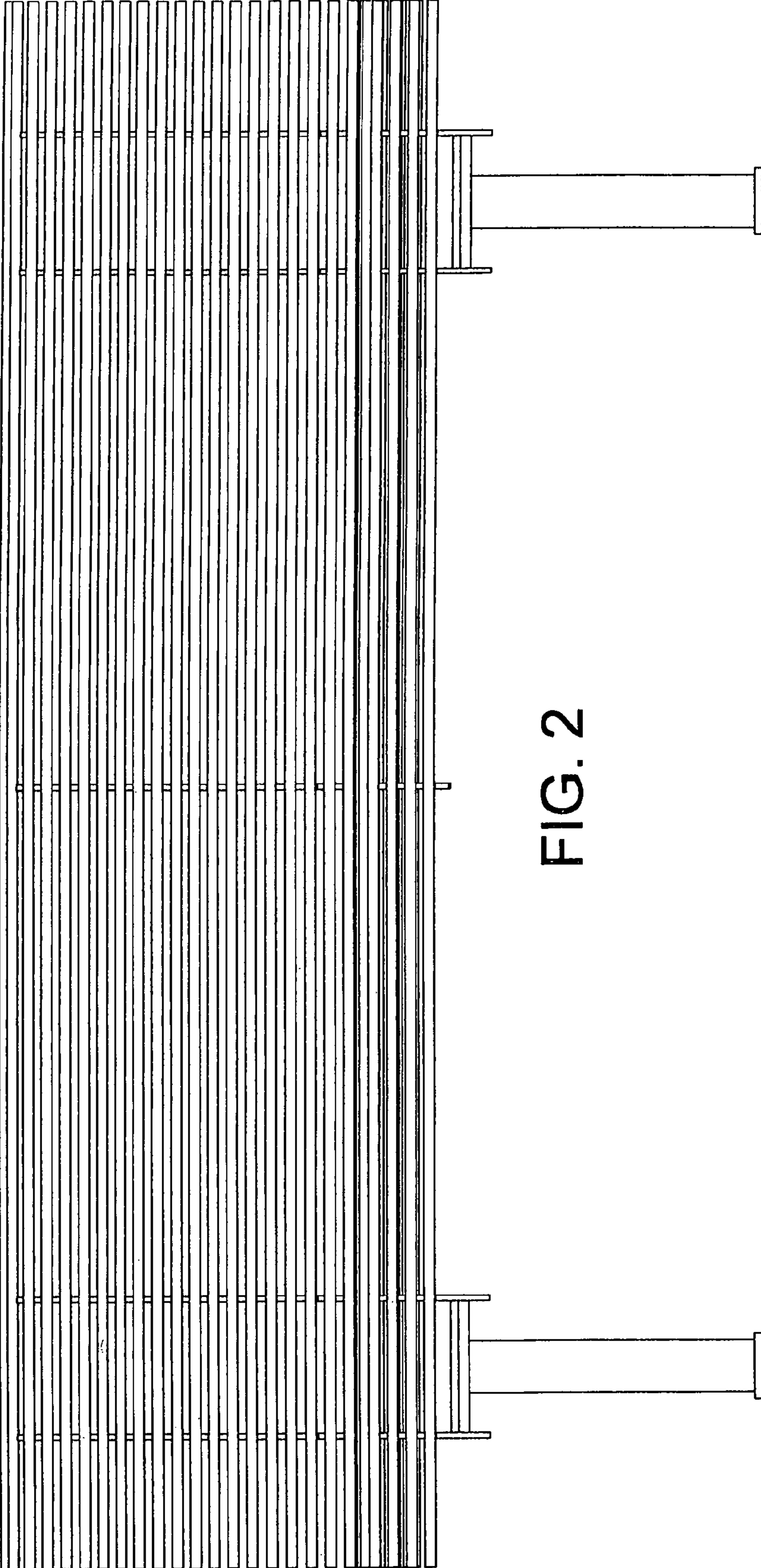


FIG. 2

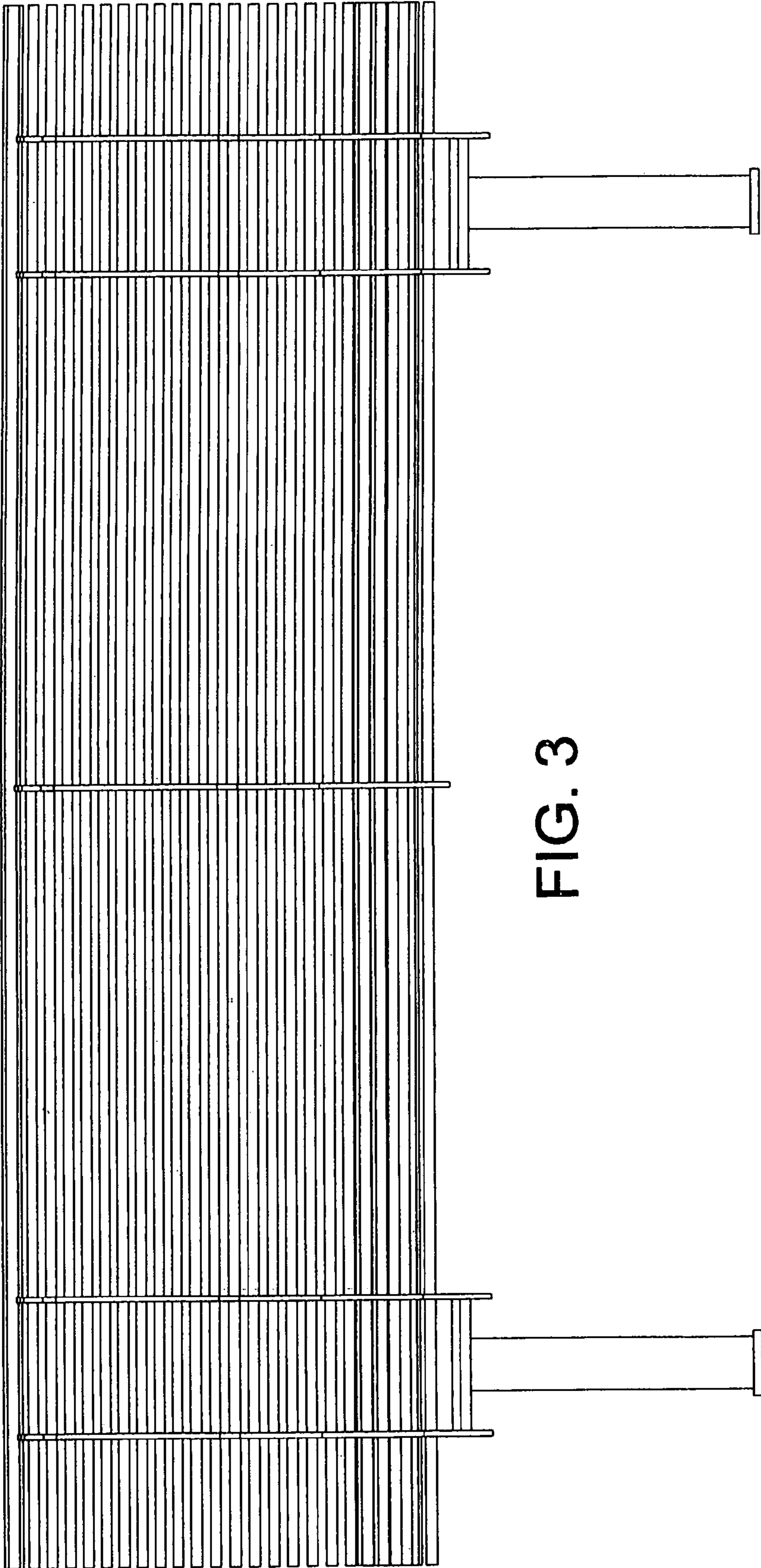


FIG. 3

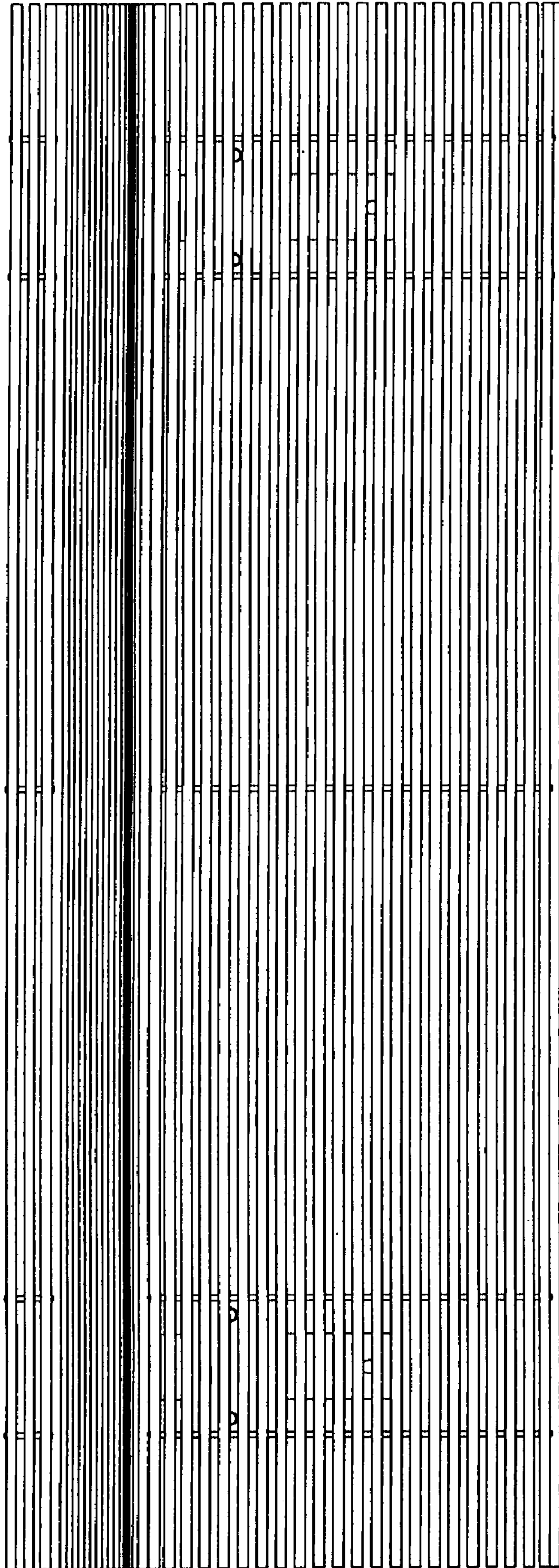


FIG. 4

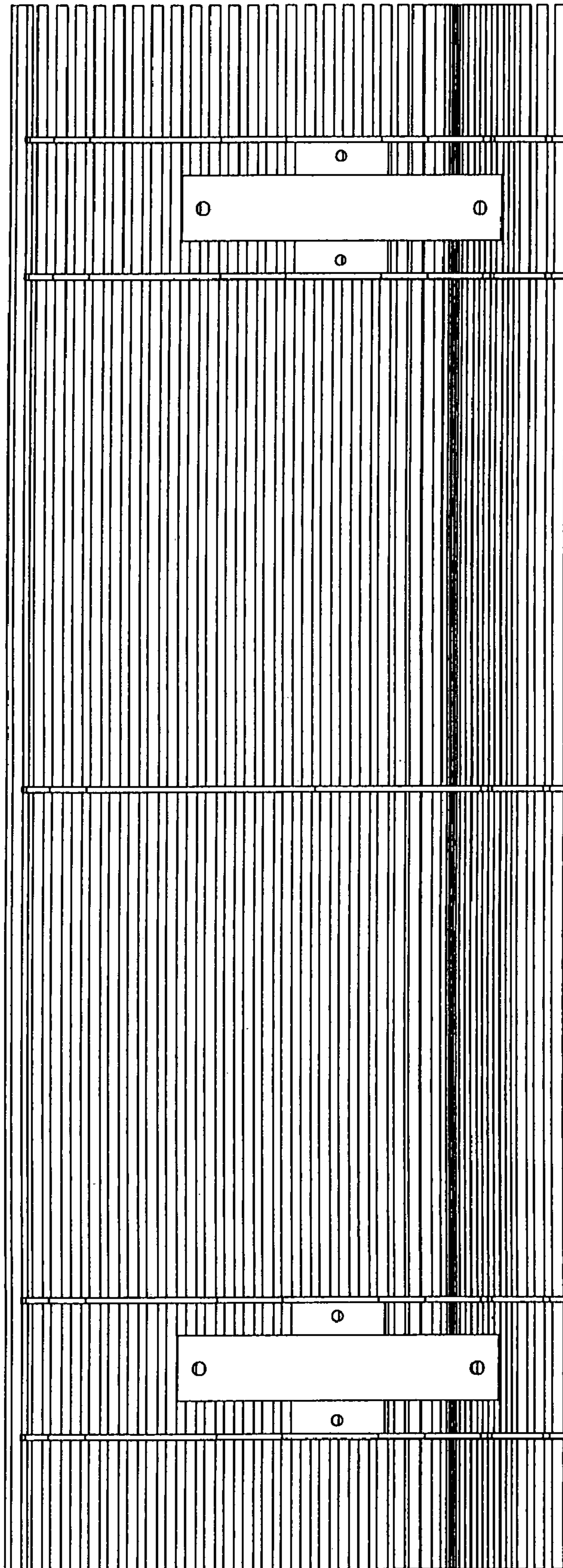


FIG. 5

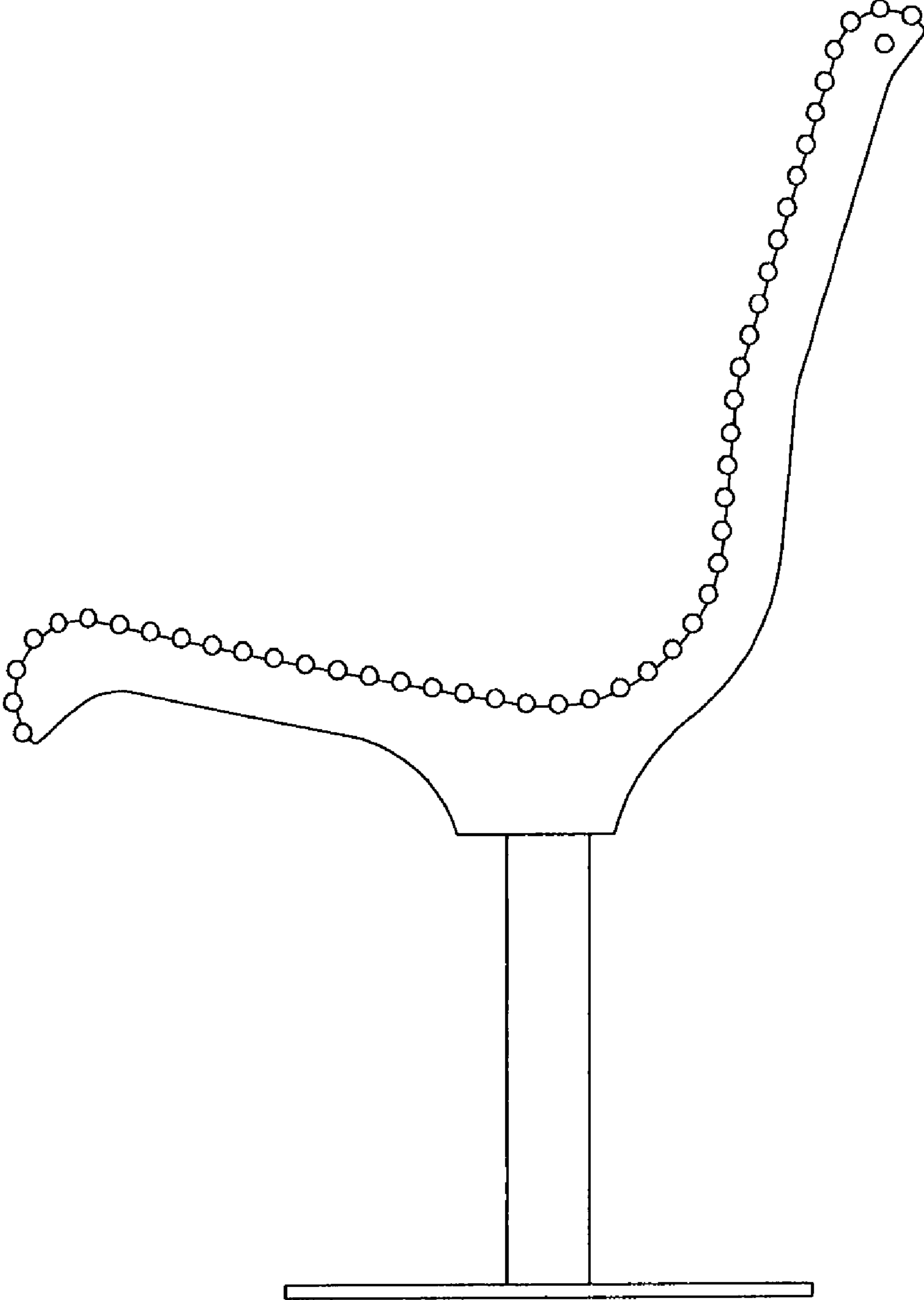


FIG. 6

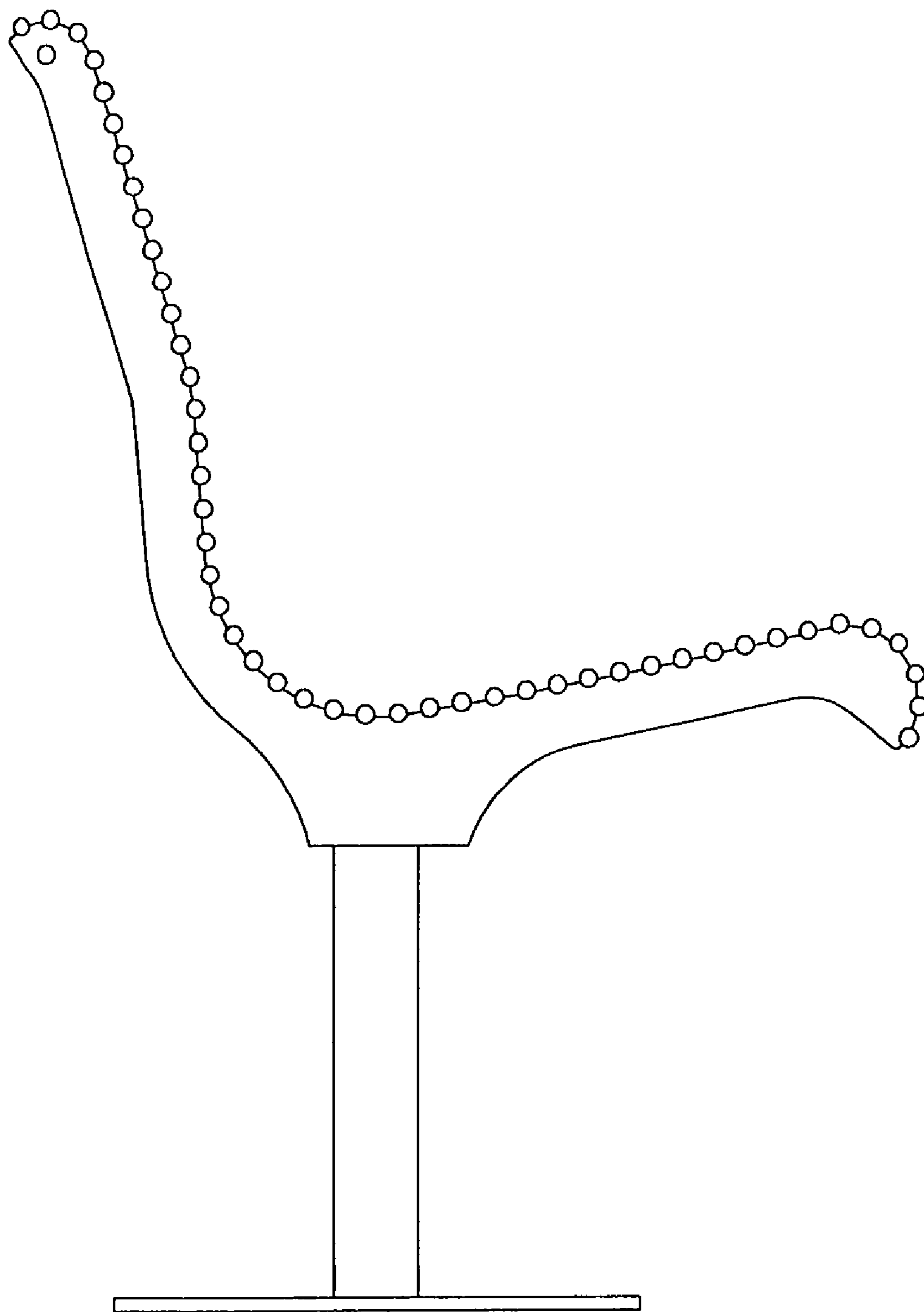


FIG. 7