



US00D569118S

(12) **United States Design Patent**  
**Lin et al.**

(10) **Patent No.:** **US D569,118 S**

(45) **Date of Patent:** **\*\* May 20, 2008**

(54) **FOLDING STOOL**

(76) Inventors: **Mei Chuen Lin**, 9F, No. 275-1,  
Yuan-Hua Road, Chung-Li City,  
Taoyuan Hsien (TW); **Tzu Mei Wang**,  
9F, No. 275-1, Yuan-Hua Road,  
Chung-Li City, Taoyuan Hsien (TW)

(\*\*) Term: **14 Years**

(21) Appl. No.: **29/279,799**

(22) Filed: **May 8, 2007**

(51) **LOC (8) Cl.** ..... **06-01**

(52) **U.S. Cl.** ..... **D6/368**

(58) **Field of Classification Search** ..... D6/334-336,  
D6/367, 368, 371-373, 374, 376, 379, 380,  
D6/500-502; 297/16.1, 40, 41, 55-59, 452.1,  
297/452.18

See application file for complete search history.

(56) **References Cited**

**U.S. PATENT DOCUMENTS**

1,600,248	A *	9/1926	Rosenthal et al.	.....	297/56
1,721,138	A *	7/1929	Silverman	.....	297/56
1,740,806	A *	12/1929	Clarín	.....	297/56
1,873,768	A *	8/1932	Kux	.....	297/56
3,695,687	A *	10/1972	Uyeda	.....	297/56

D234,280	S *	2/1975	Ekuan	.....	D6/379
D435,977	S *	1/2001	Ambasz	.....	D6/368
6,386,627	B1 *	5/2002	Tsai	.....	297/16.1
D465,665	S *	11/2002	Ritchie et al.	.....	D6/368
D501,613	S *	2/2005	Kaltenmark et al.	.....	D6/368
D505,025	S *	5/2005	Santamaria	.....	D6/368
7,226,123	B1 *	6/2007	Lin et al.	.....	297/56

\* cited by examiner

*Primary Examiner*—Mimosa De

(57) **CLAIM**

The ornamental design for folding stool, as shown and described.

**DESCRIPTION**

FIG. 1 is a perspective view of folding stool showing my new design;

FIG. 2 is a front elevational view thereof;

FIG. 3 is a rear elevational view thereof;

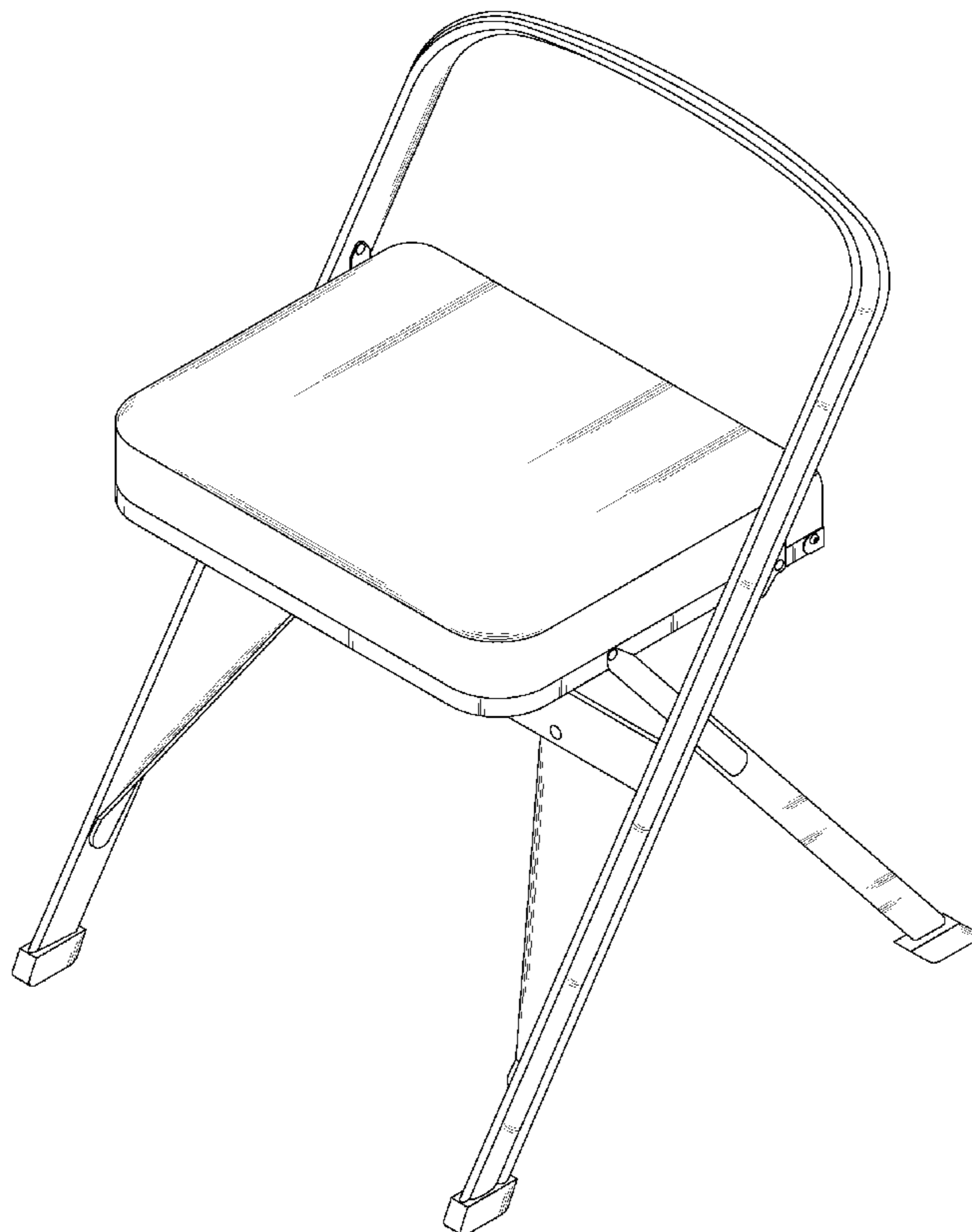
FIG. 4 is a left side elevational view thereof;

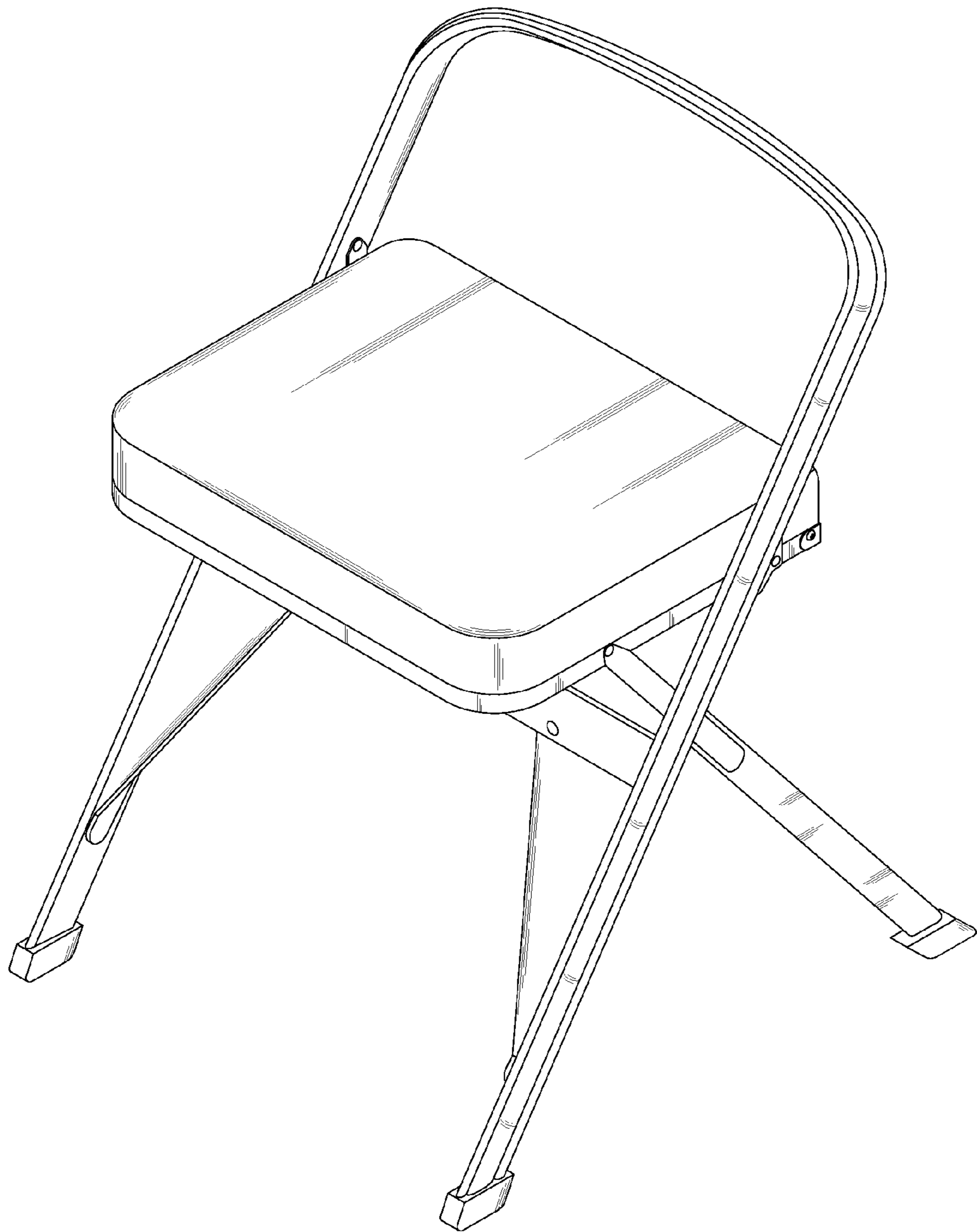
FIG. 5 is right side elevational view thereof;

FIG. 6 is a top view thereof; and,

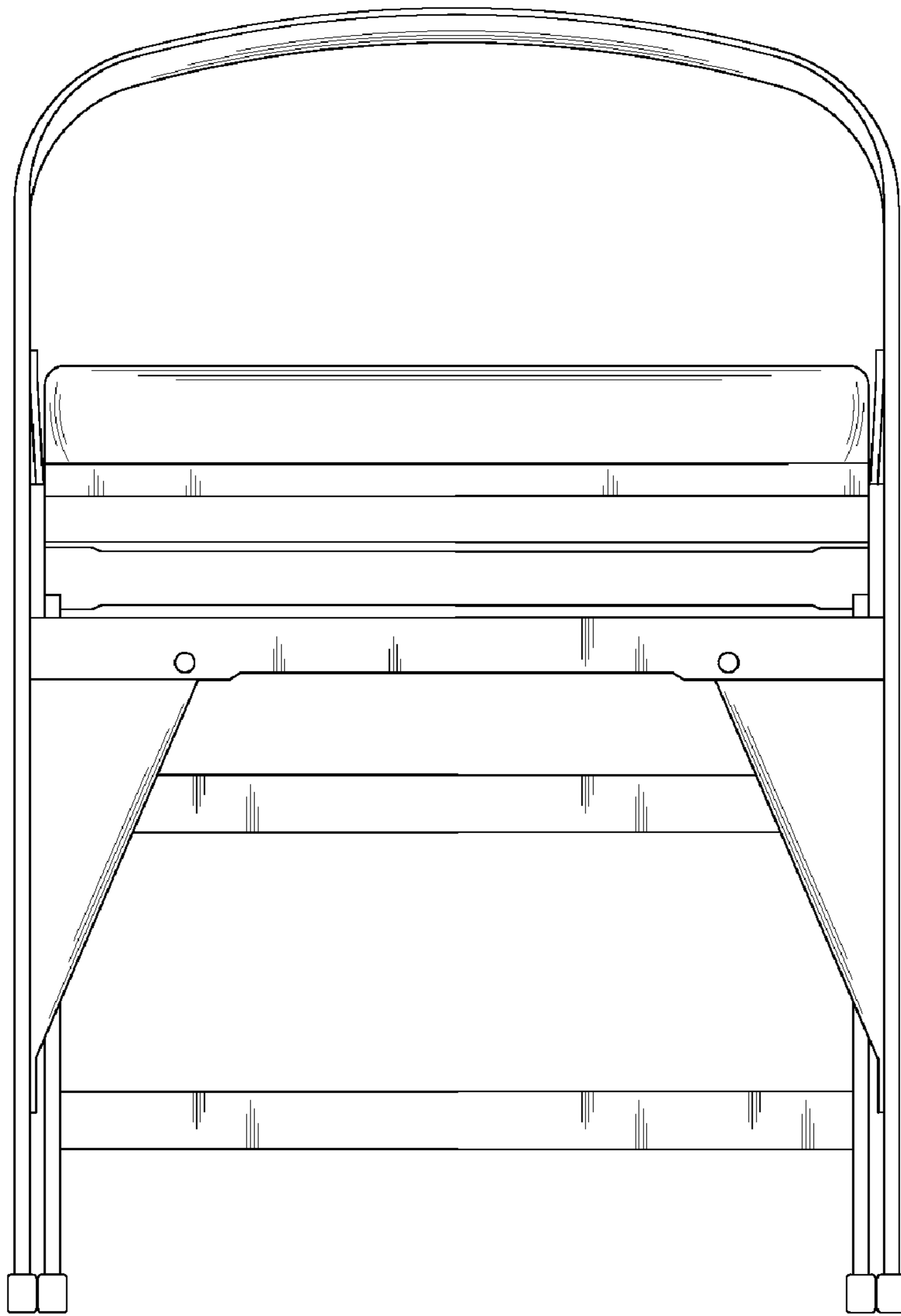
FIG. 7 is a bottom view thereof.

**1 Claim, 7 Drawing Sheets**

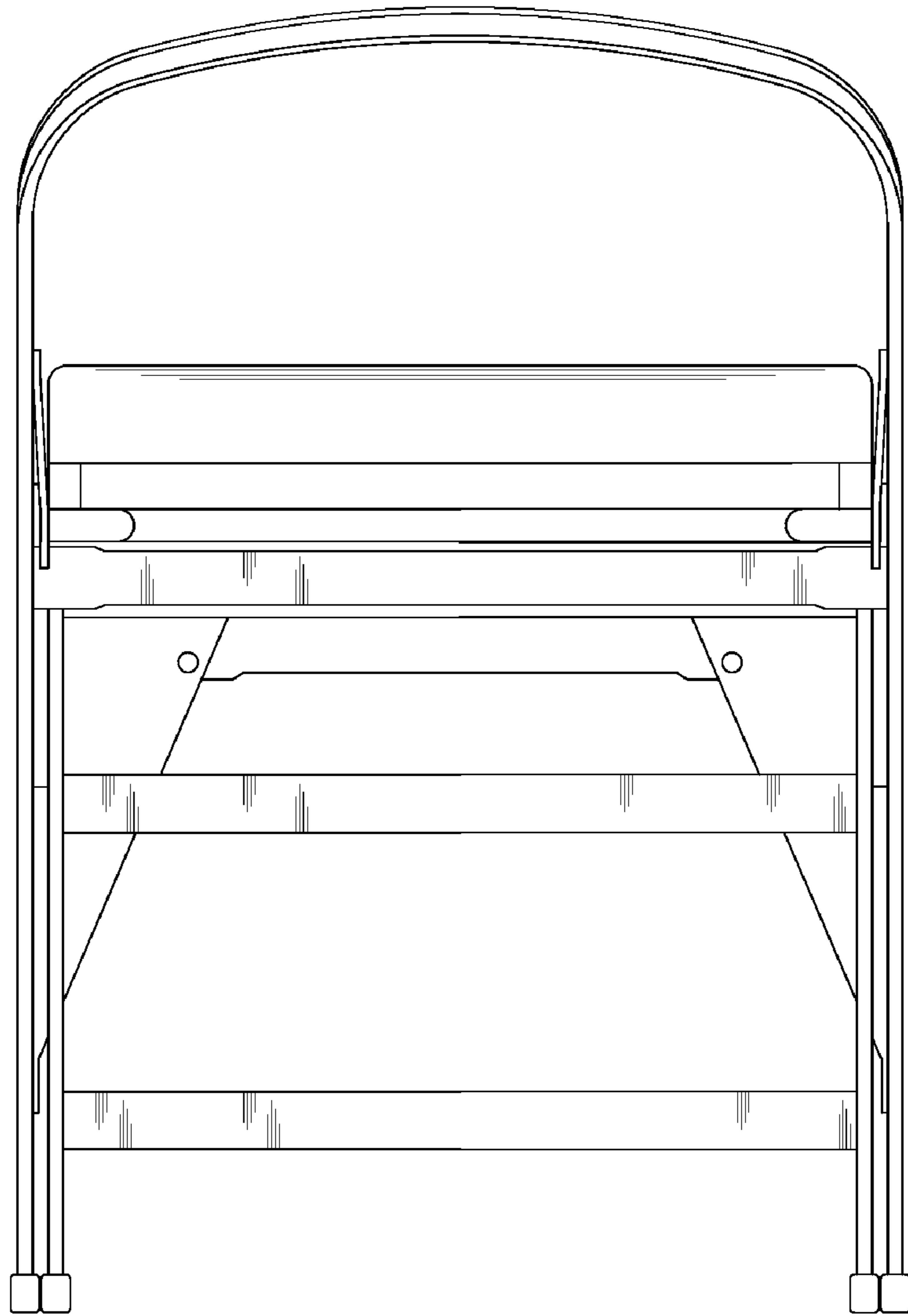




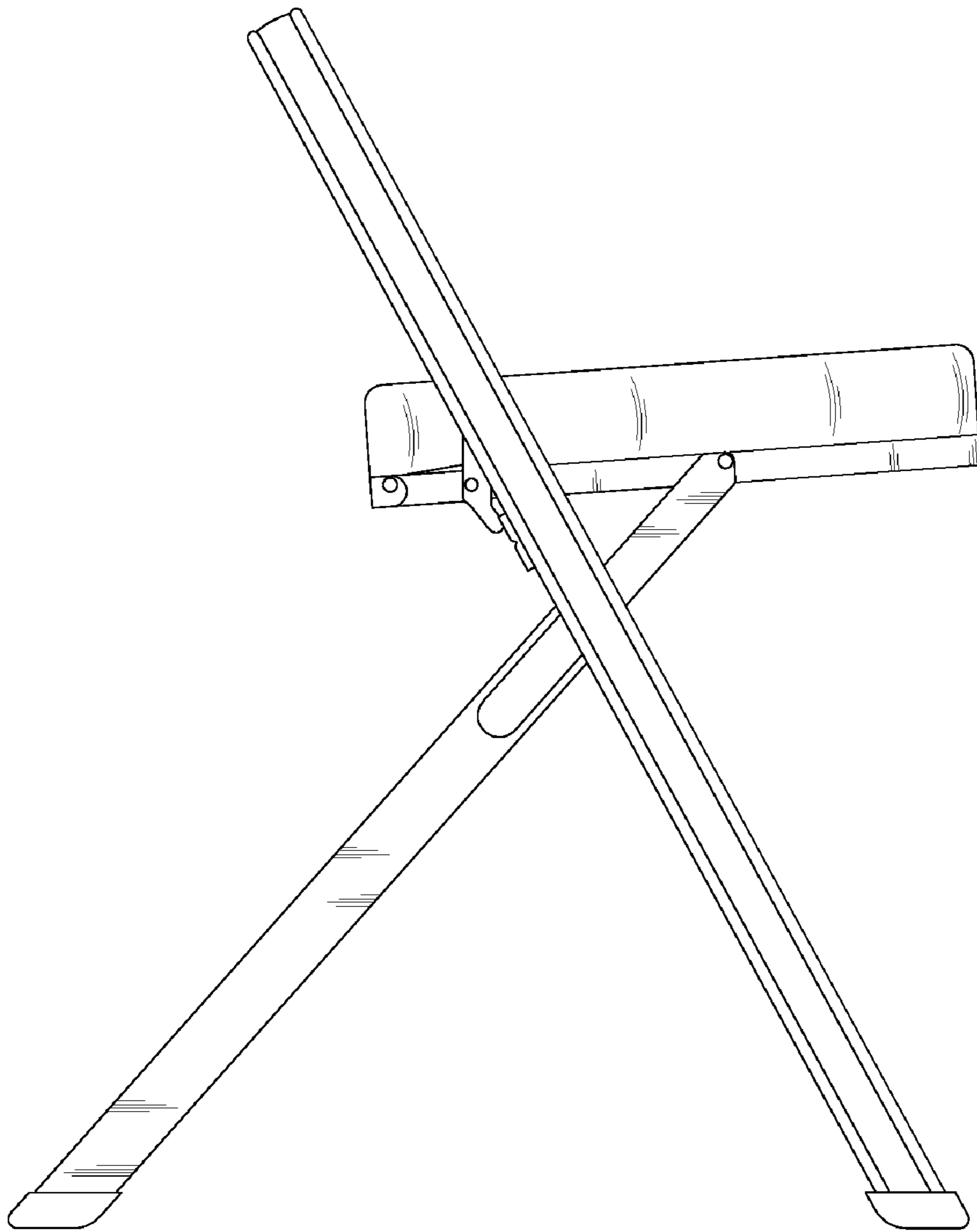
**FIG. 1**



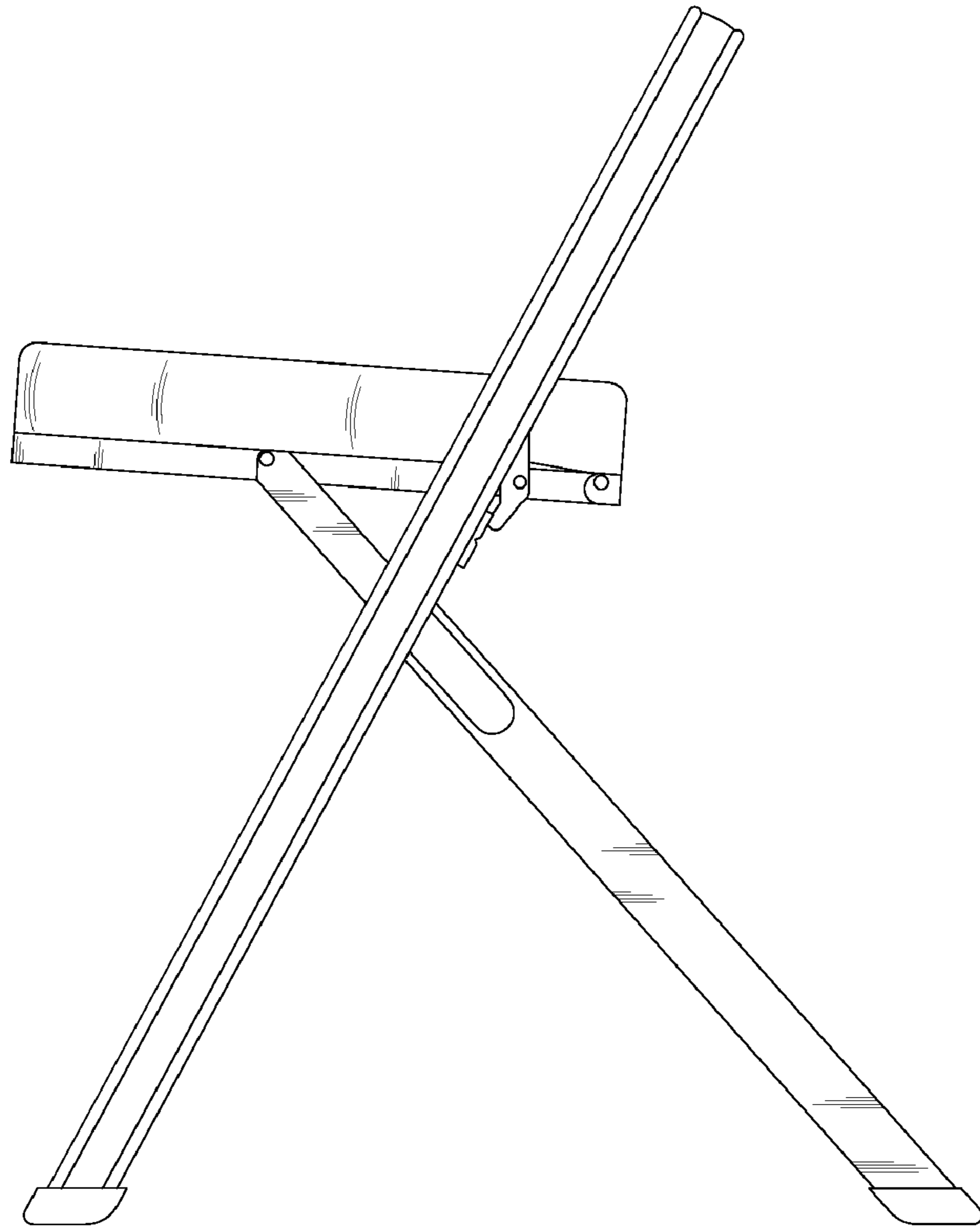
**FIG. 2**



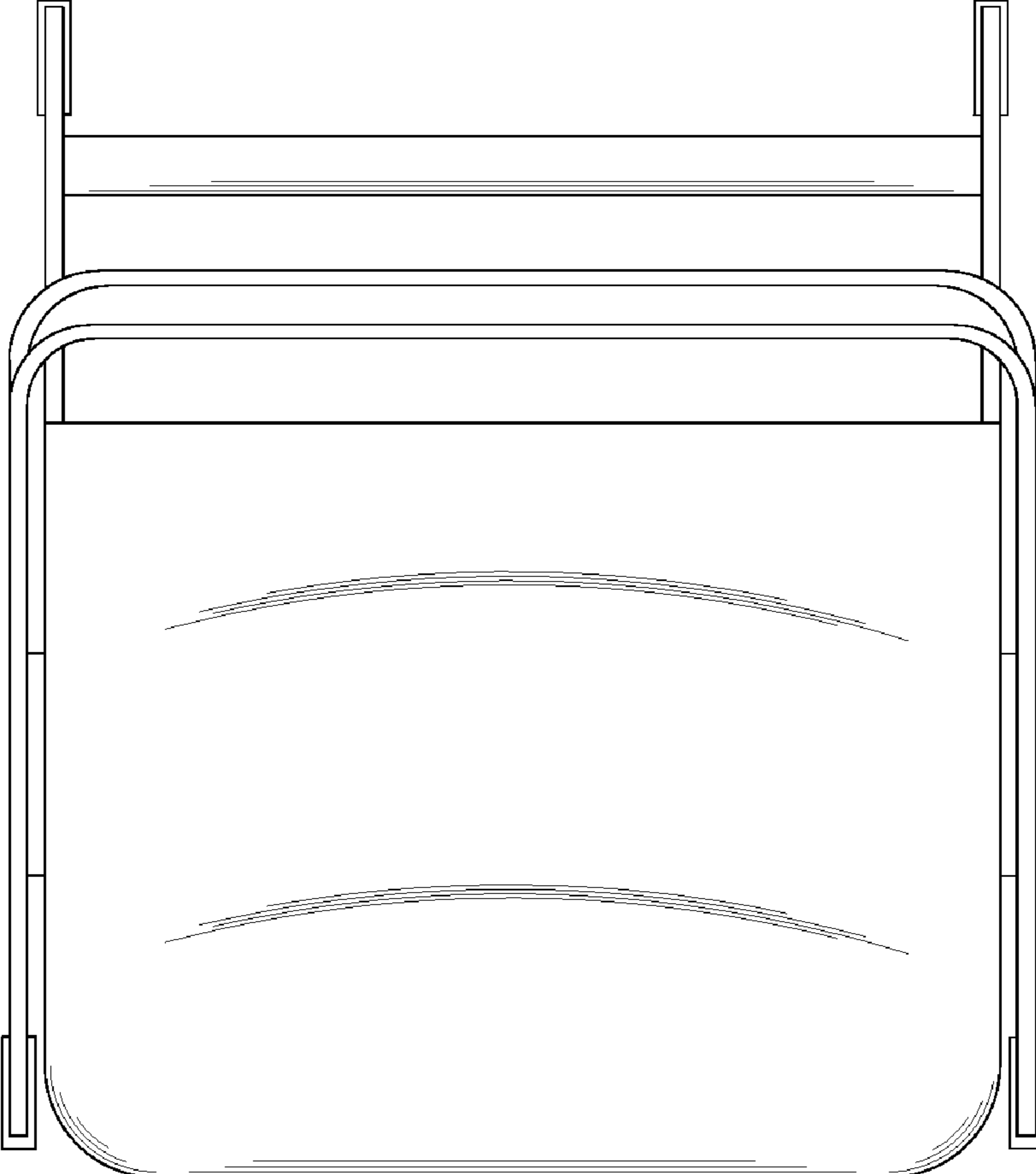
**FIG. 3**



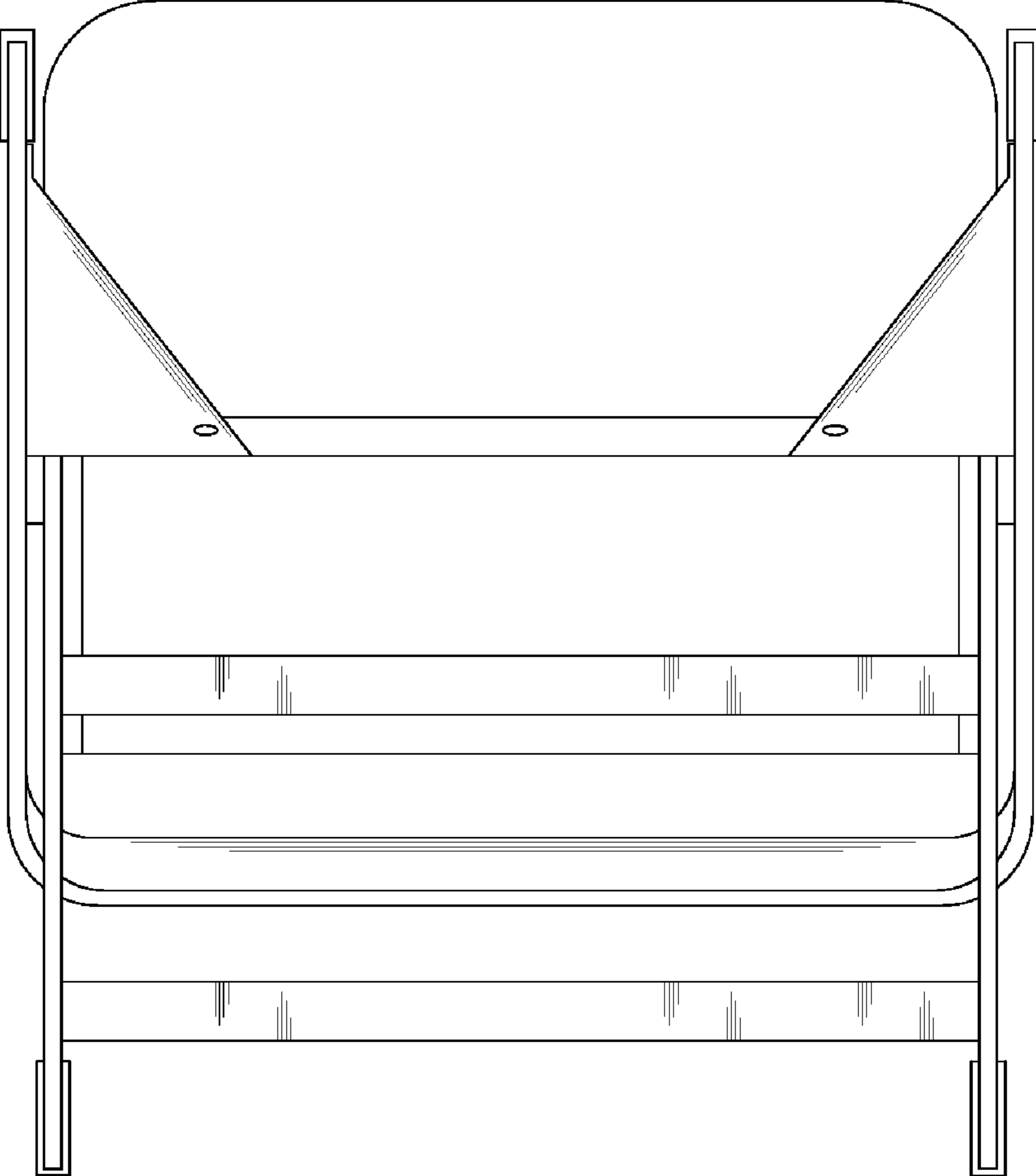
**FIG. 4**



**FIG. 5**



**FIG. 6**



**FIG. 7**