

US00D569117S

(12) **United States Design Patent**
Bennett et al.

(10) **Patent No.:** **US D569,117 S**
(45) **Date of Patent:** **** May 20, 2008**

(54) **CHAIR**

(75) Inventors: **Jeffrey T. Bennett**, New York, NY (US); **Nicholas Dodziuk**, Brooklyn, NY (US)

(73) Assignee: **Knoll, Inc.**, East Greenville, PA (US)

(**) Term: **14 Years**

(21) Appl. No.: **29/293,367**

(22) Filed: **Nov. 19, 2007**

(51) **LOC (8) Cl.** **06-01**

(52) **U.S. Cl.** **D6/366**

(58) **Field of Classification Search** D6/334-336,
D6/364-367, 374, 379, 380, 498, 500-502;
297/353, 354.1, 411.2, 411.27, 411.36, 452.29,
297/452.32, 452.35, 452.48

See application file for complete search history.

(56) **References Cited**

U.S. PATENT DOCUMENTS

D390,712 S	2/1998	Koepke et al.	
D429,584 S	8/2000	Brettschneider et al.	
D436,768 S	1/2001	Jenkins et al.	
D446,033 S *	8/2001	Koepke et al.	D6/366
D459,903 S *	7/2002	Lo	D6/366
D474,630 S *	5/2003	Piretti	D6/500
D481,230 S	10/2003	Piretti et al.	
D507,436 S	7/2005	Chao	
D517,820 S	3/2006	Citterio	

D535,112 S	1/2007	Bennett et al.	
D535,830 S	1/2007	Bennett et al.	
D543,038 S *	5/2007	Benden et al.	D6/366
D558,476 S *	1/2008	Kane et al.	D6/366

* cited by examiner

Primary Examiner—Mimosa De

(74) *Attorney, Agent, or Firm*—Buchanan Ingersoll & Rooney PC

(57) **CLAIM**

The ornamental design for a chair, as shown and described.

DESCRIPTION

FIG. 1 is a front, side perspective view of a chair showing our new design;

FIG. 2 is a front elevational view thereof;

FIG. 3 is a rear elevational view thereof;

FIG. 4 is a top plan view thereof;

FIG. 5 is a bottom plan view thereof;

FIG. 6 is a left side elevational view thereof;

FIG. 7 is a right side elevational view thereof;

FIG. 8 is a front, side perspective view of an alternate embodiment of our new design;

FIG. 9 is a front elevational view thereof;

FIG. 10 is a left side elevational view thereof; and,

FIG. 11 is a right side elevational view thereof.

1 Claim, 7 Drawing Sheets

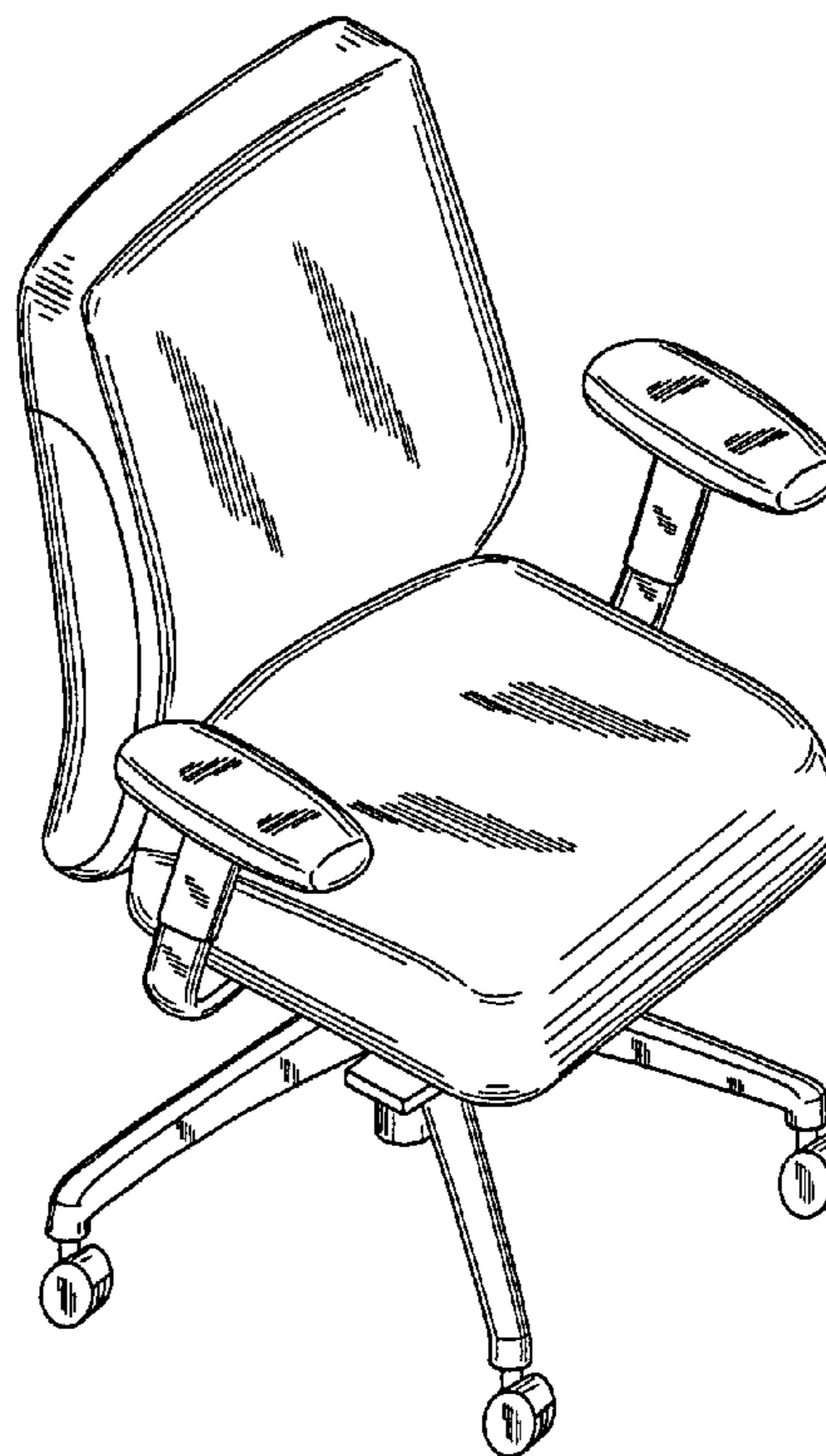
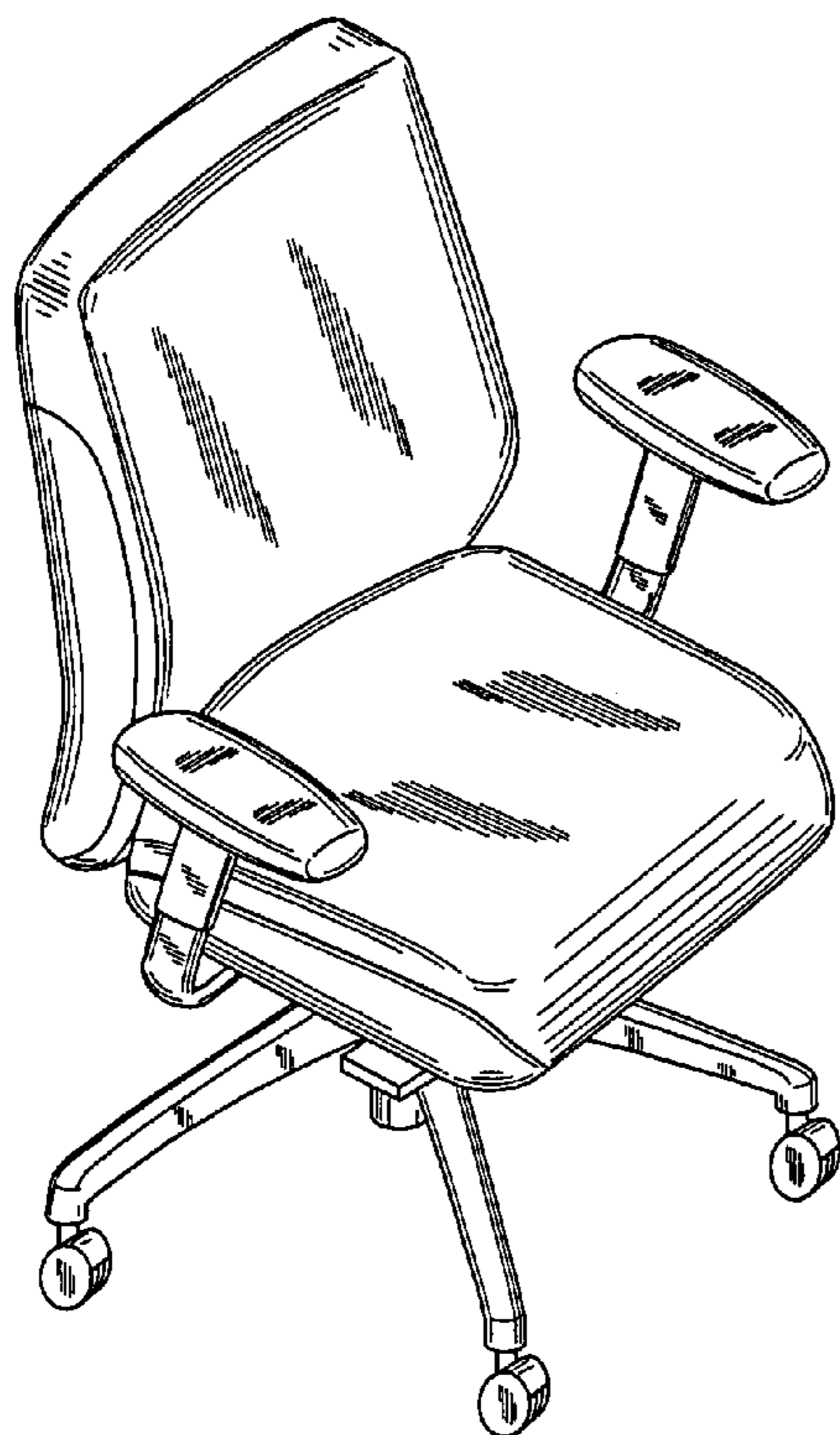




FIG. 1

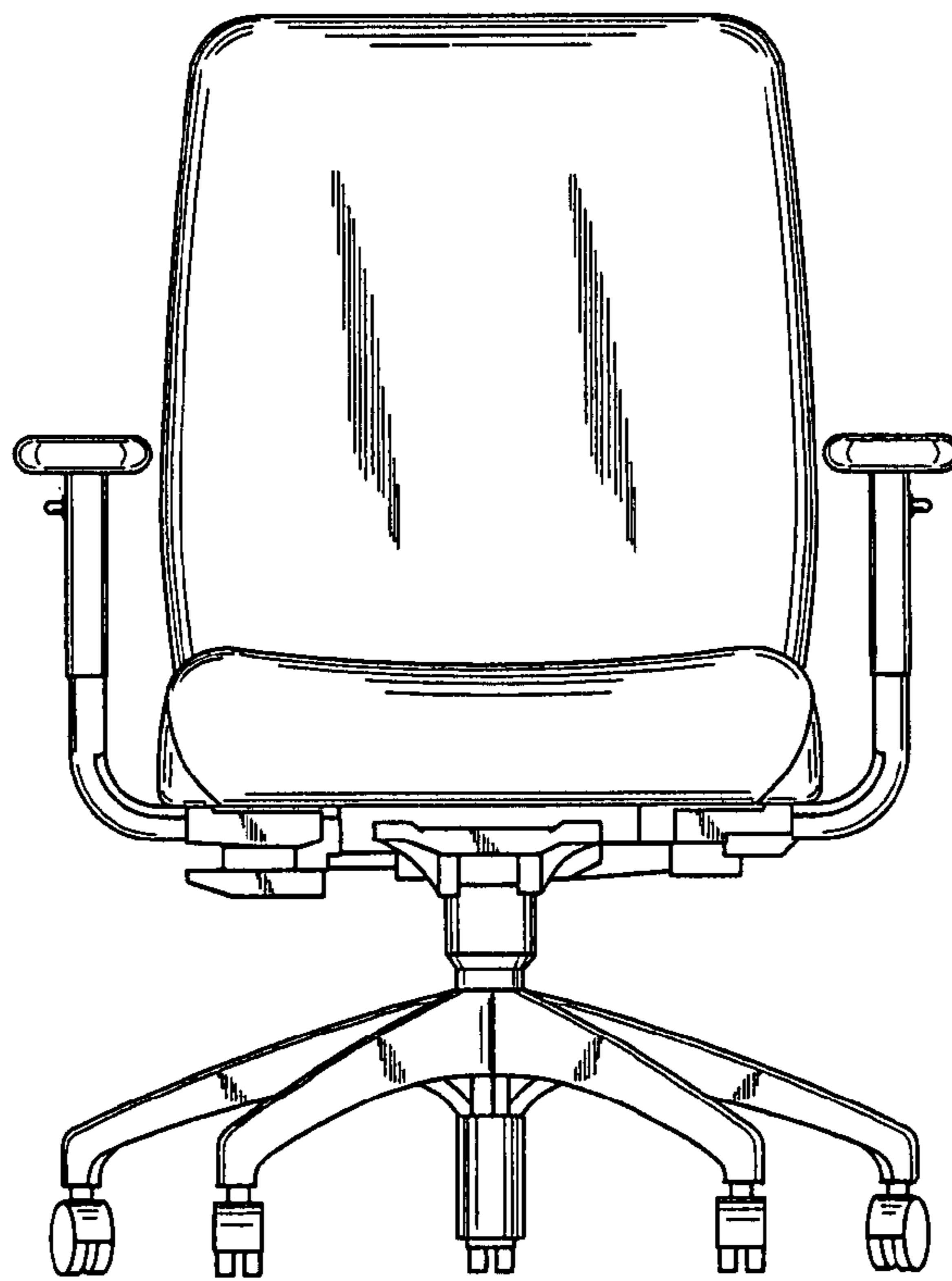


FIG. 2

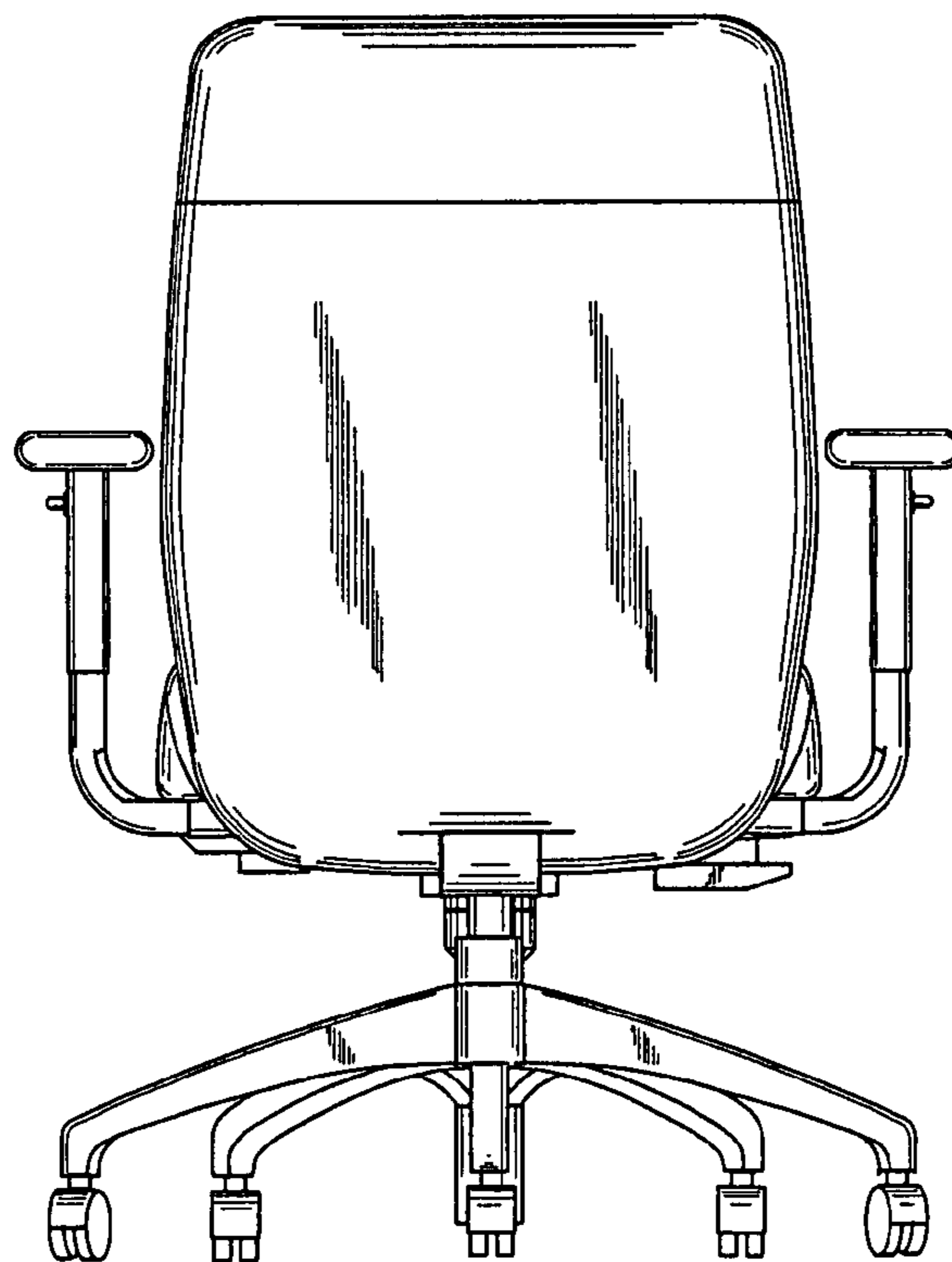


FIG. 3

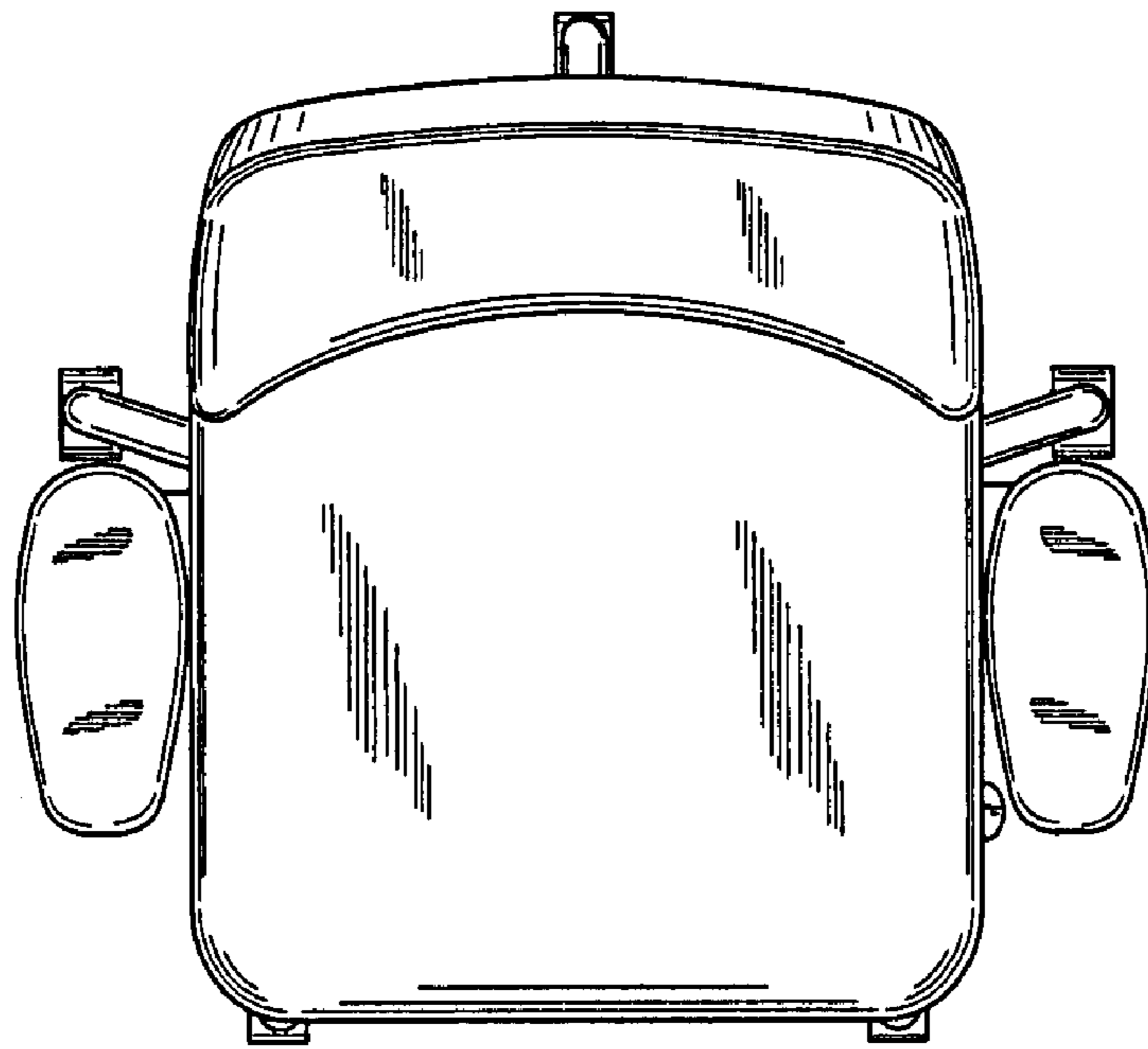


FIG. 4

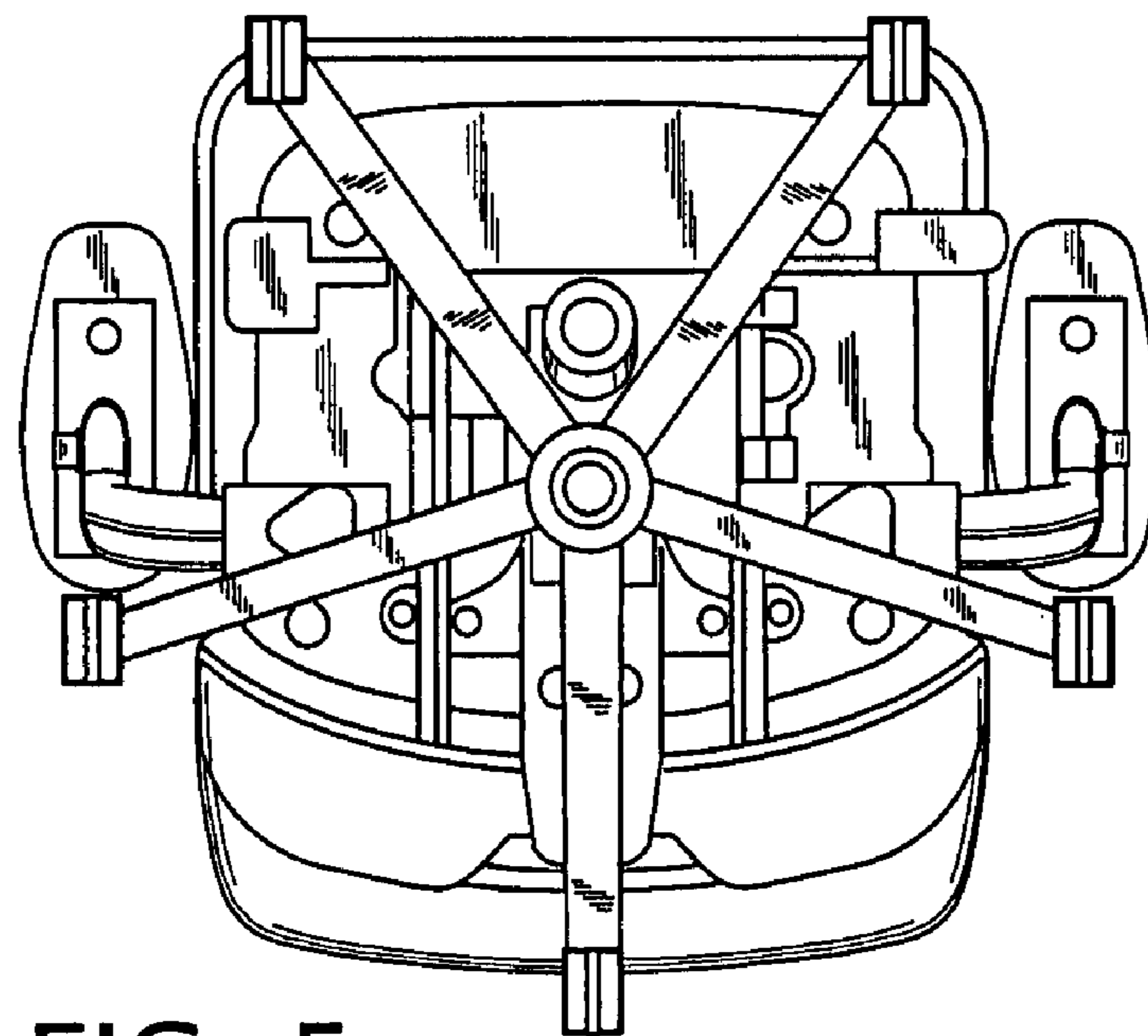


FIG. 5

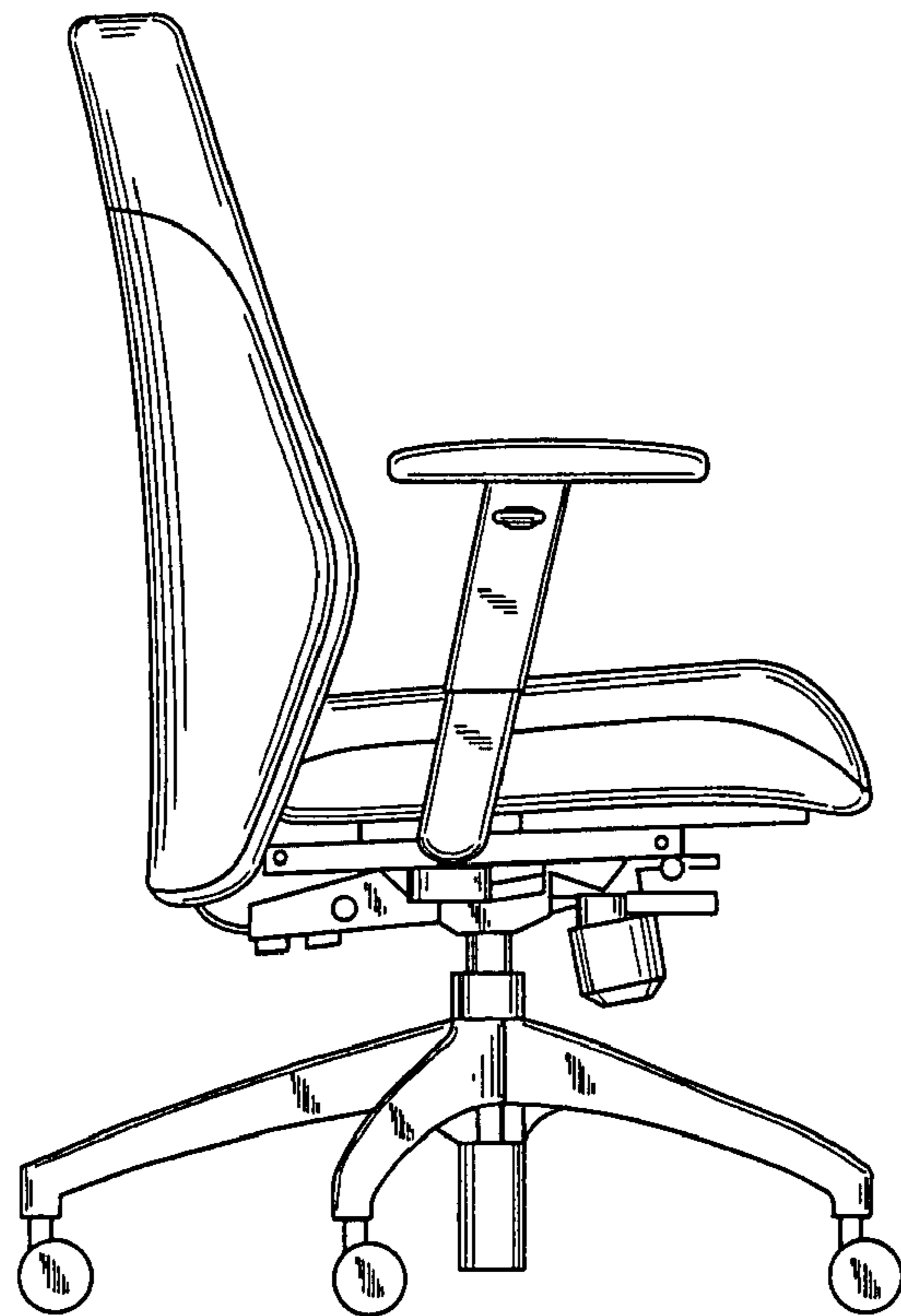


FIG. 6

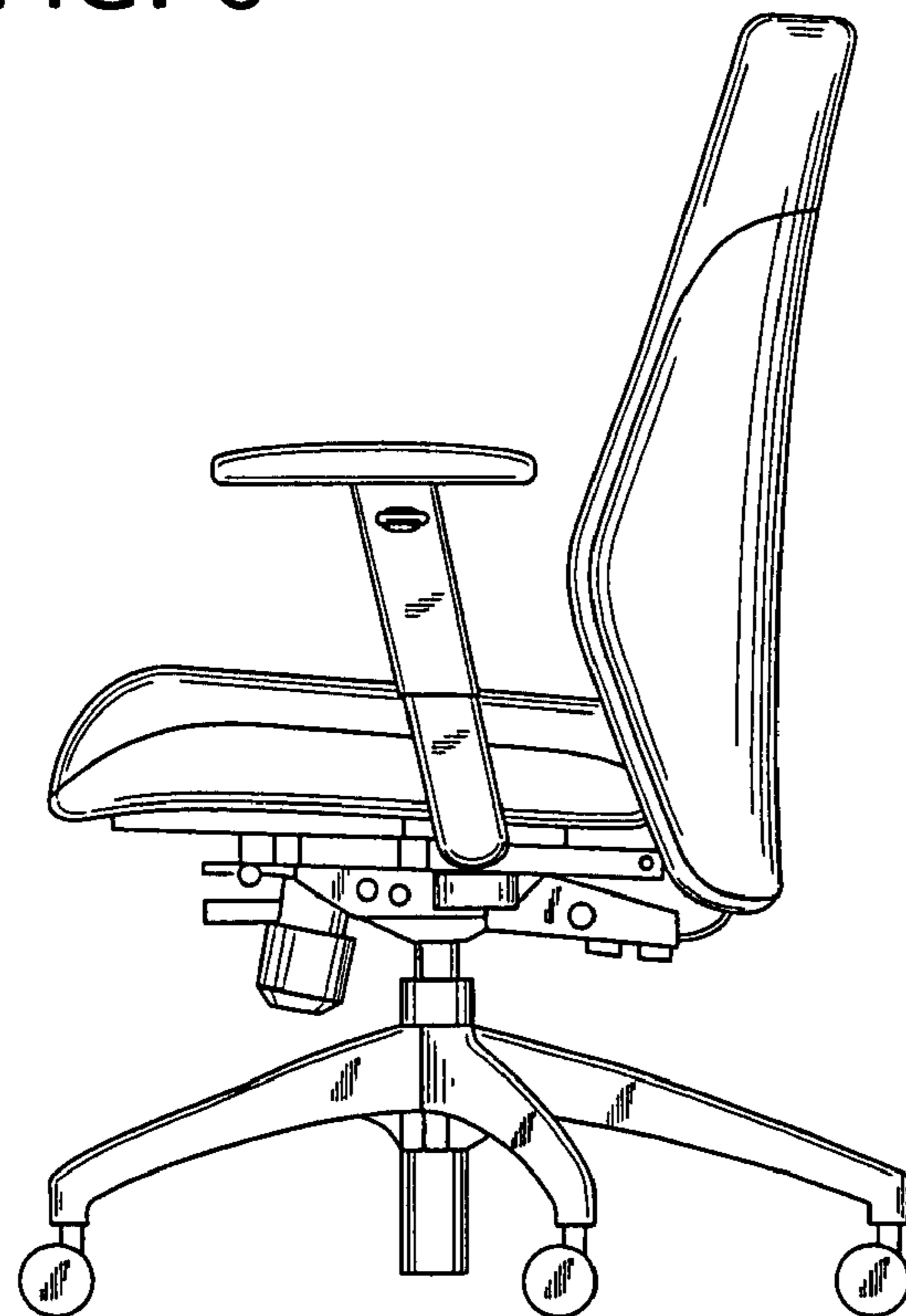


FIG. 7



FIG. 8

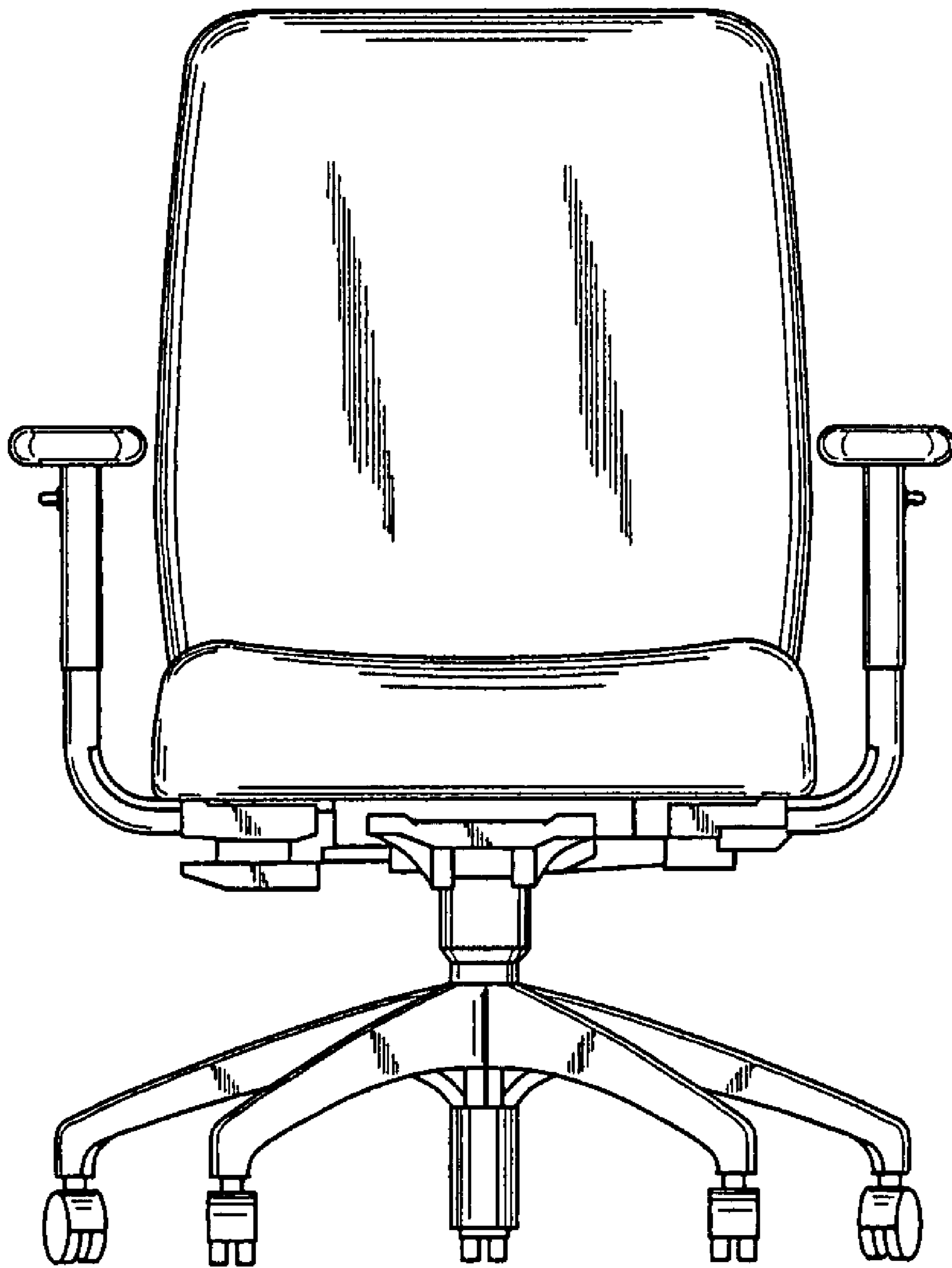


FIG. 9

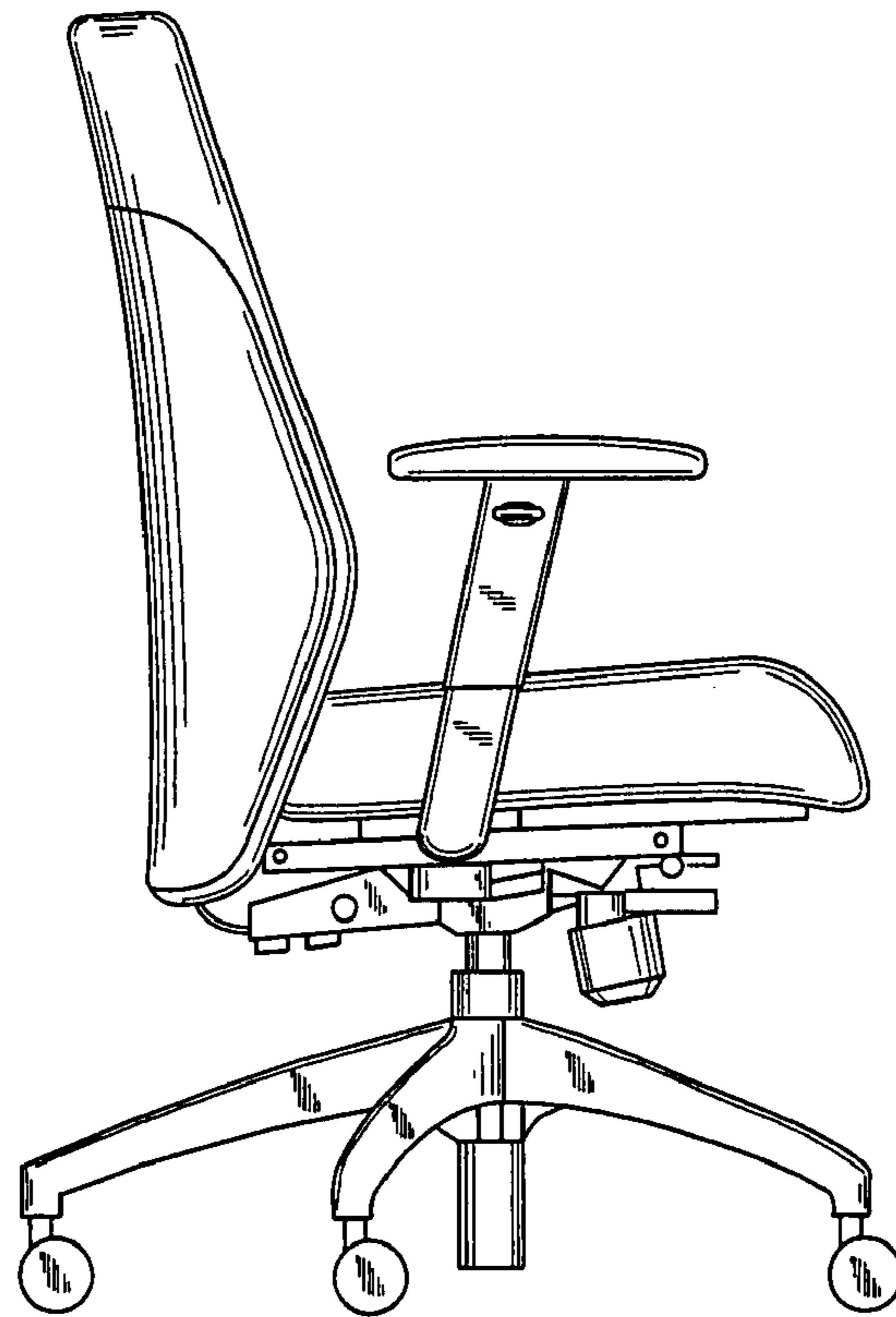


FIG. 10

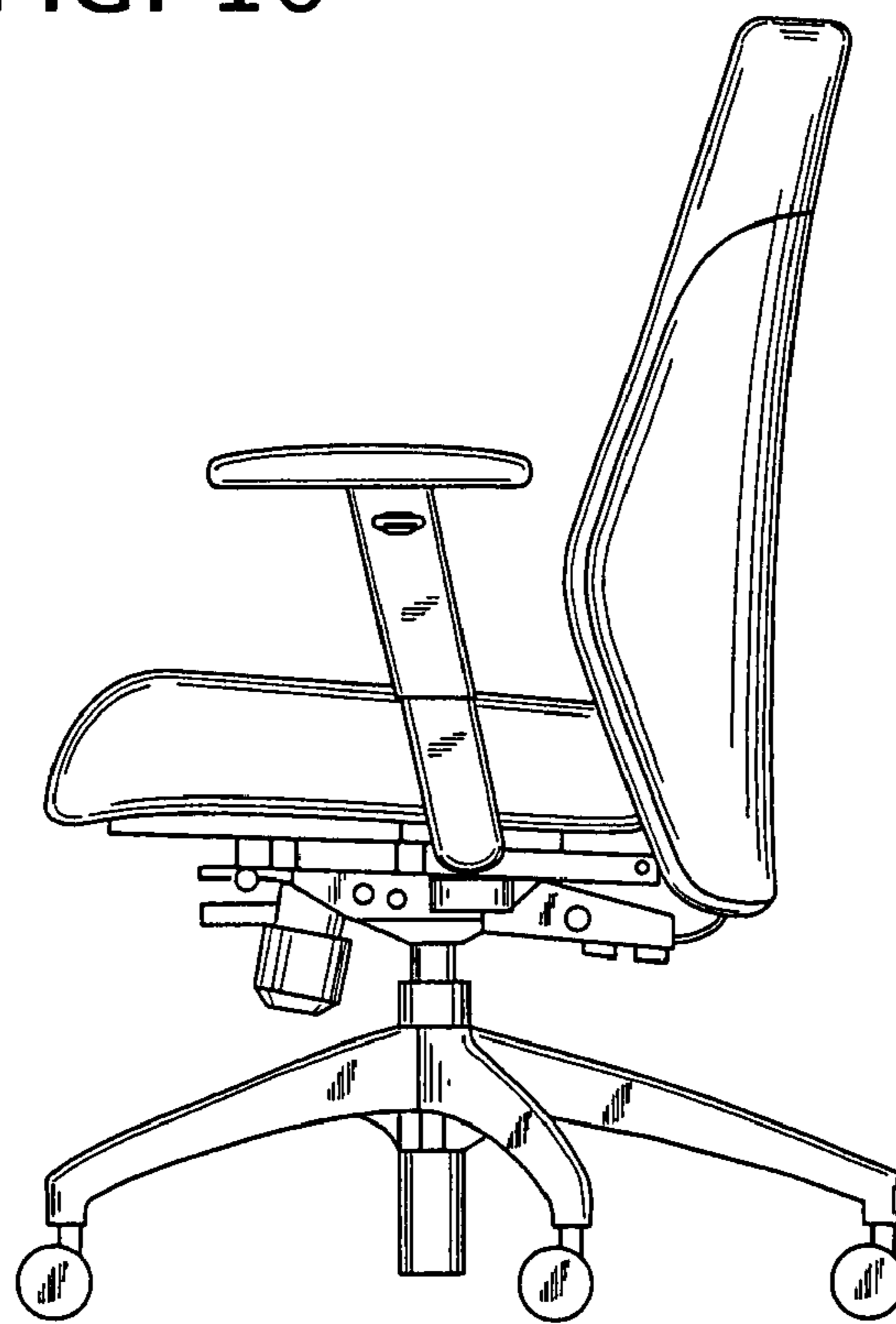


FIG. 11