



US00D569103S

(12) **United States Design Patent**
Hoge et al.

(10) **Patent No.:** **US D569,103 S**

(45) **Date of Patent:** **** May 20, 2008**

(54) **MEDIA CARTRIDGE PROTECTIVE CASE**

(75) Inventors: **David T. Hoge**, Westminster, CO (US);
William E. Faulkner, Broomfield, CO
(US); **James J. Kuhar**, Carlsbad, CA
(US)

(73) Assignee: **Quantum Corporation**, San Jose, CA
(US)

(**) Term: **14 Years**

(21) Appl. No.: **29/272,948**

(22) Filed: **Feb. 21, 2007**

(51) **LOC (8) Cl.** **03-01**

(52) **U.S. Cl.** **D3/294; D3/273; D6/407;**
D6/632; D6/634

(58) **Field of Classification Search** D3/201,
D3/203.5-203.6, 273, 284, 294-295, 903;
D9/414, 422, 424, 430, 432; D14/356, 432,
D14/435-436; D6/407, 627-628, 632, 634;
D21/333; 206/38, 223, 235-236, 307, 569-570,
206/574, 581, 823; 132/293-294, 298, 301
See application file for complete search history.

(56) **References Cited**

U.S. PATENT DOCUMENTS

3,612,233 A	10/1971	Nagpal et al.	
3,939,978 A	2/1976	Thomaswick	
3,949,872 A	4/1976	Paudras	
D242,879 S	12/1976	Schurman	
D257,800 S	1/1981	Pedersen	
4,365,711 A	12/1982	Long et al.	
D268,067 S	3/1983	Lyman	
D271,349 S	11/1983	Thiele	
D306,182 S *	2/1990	Ukisu	D3/271.1
D308,913 S	7/1990	Kirchner	
D321,429 S *	11/1991	Kojo	D6/634
D322,165 S *	12/1991	Lloyd	D3/273
D330,913 S *	11/1992	Hikomori	D19/75
D333,727 S	3/1993	Schurman	

D343,120 S	1/1994	Lapsker et al.	
D347,728 S	6/1994	Taniyama	
5,341,926 A *	8/1994	Leben	206/307
D358,055 S *	5/1995	Long et al.	D6/632
D363,632 S *	10/1995	Ohta	D6/634
D371,962 S *	7/1996	Petruzzi	D9/423
5,573,119 A	11/1996	Luray	
D385,454 S	10/1997	Marsilio et al.	
5,690,224 A	11/1997	Koizumi	
5,703,758 A	12/1997	Snyder et al.	
5,738,216 A	4/1998	Warner	
5,826,720 A	10/1998	Morita	
D419,359 S	1/2000	Eguchi et al.	

(Continued)

Primary Examiner—Philip S. Hyder

Assistant Examiner—R. L. [Ulm] Cody

(74) *Attorney, Agent, or Firm*—Morrison & Foerster LLP

(57) **CLAIM**

The ornamental design for a media cartridge protective case, as shown and described.

DESCRIPTION

FIG. 1 is a top perspective view of a media cartridge protective case showing our new design (with a closing tab in an open position);

FIG. 2 is a bottom perspective view thereof;

FIG. 3 is a front view thereof;

FIG. 4 is a back view thereof;

FIG. 5 is a left/right side view thereof;

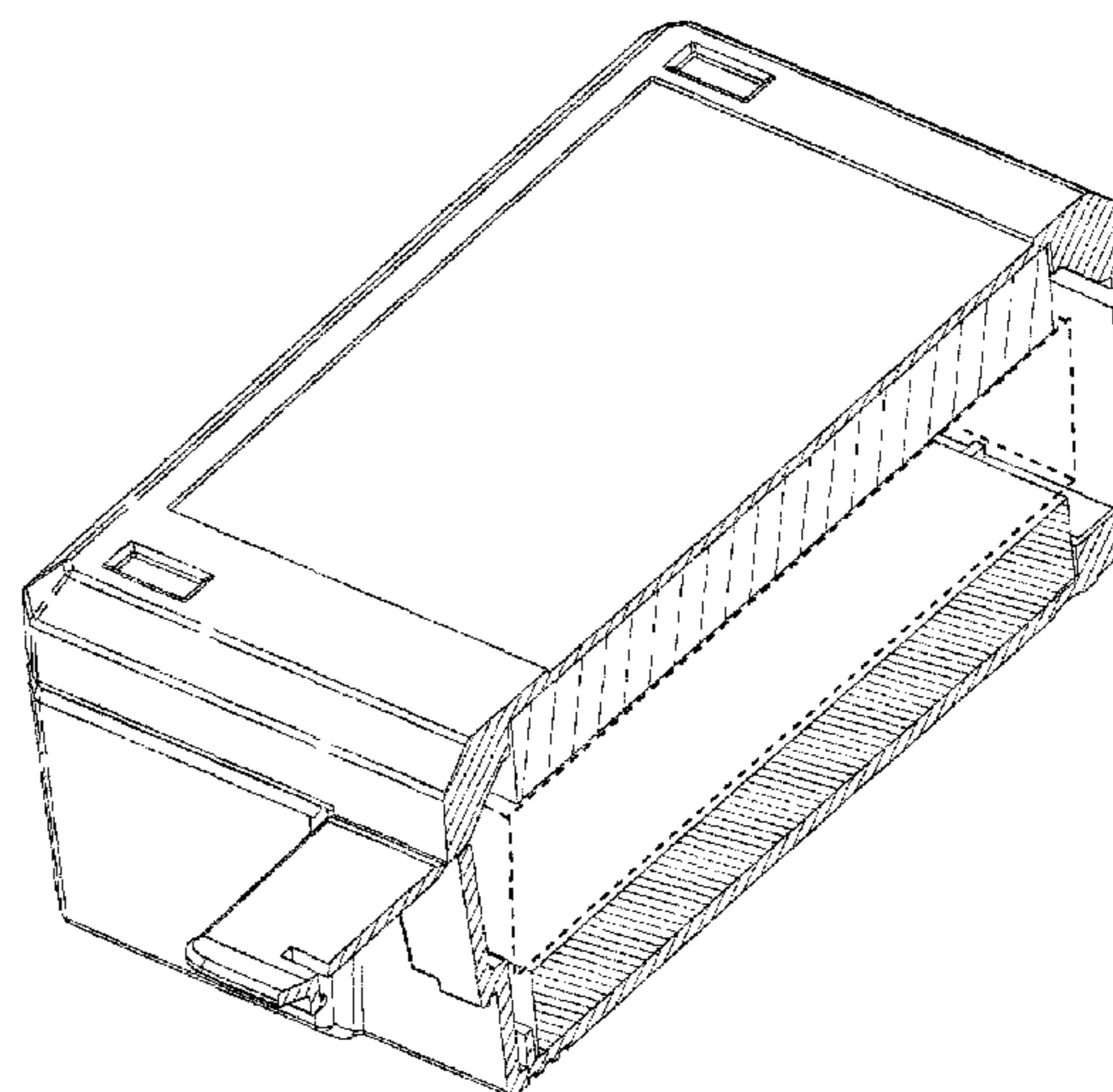
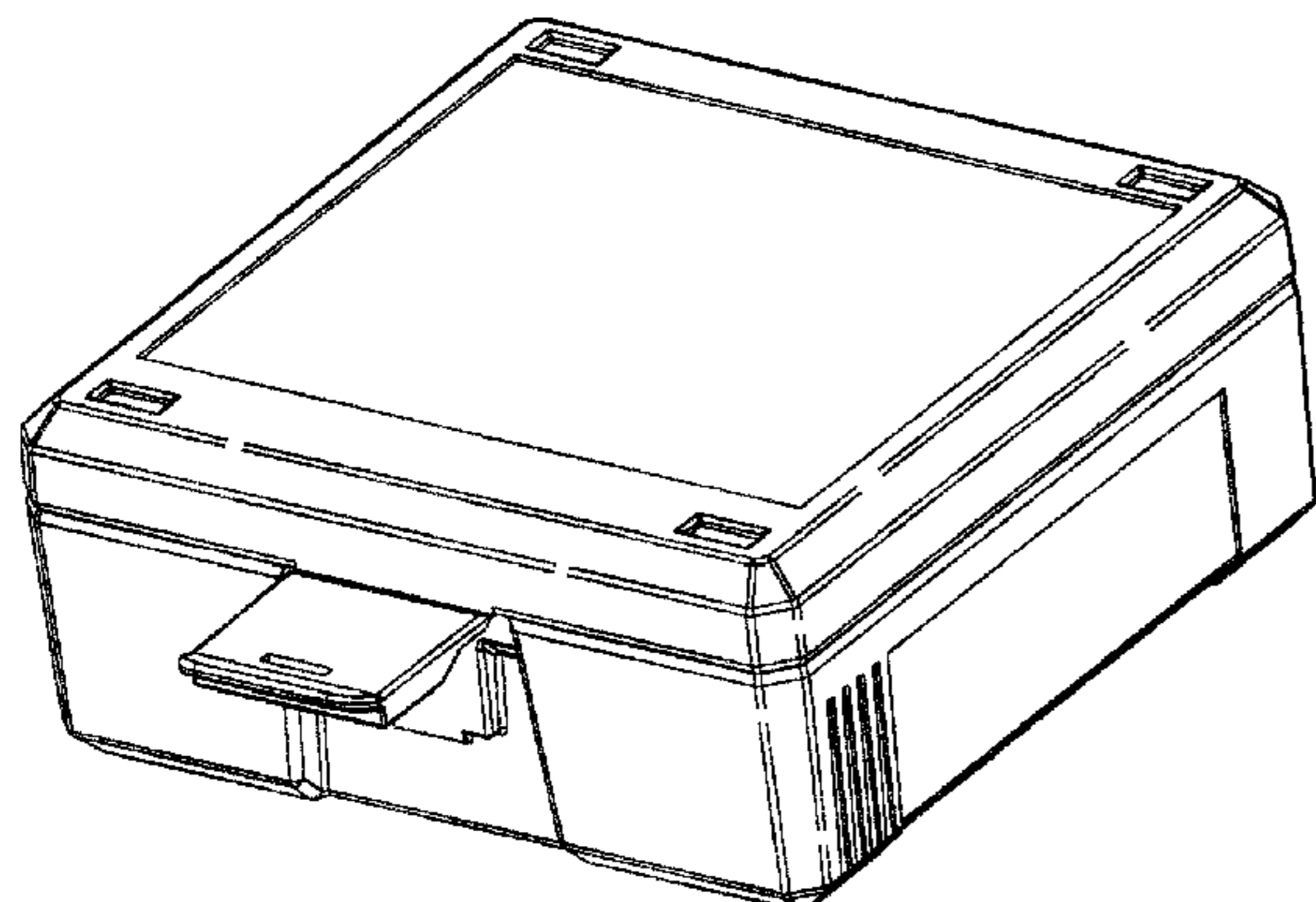
FIG. 6 is a top view thereof;

FIG. 7 is a bottom view thereof; and,

FIG. 8 is a cross-sectional view thereof taken along line 8—8 of FIG. 6 and showing a shock absorbing member and media cartridge therein.

The broken lines shown in FIG. 8 are for illustrative purposes only and form no part of the claimed design.

1 Claim, 4 Drawing Sheets



US D569,103 S

Page 2

U.S. PATENT DOCUMENTS

D439,408 S	3/2001	Gibson et al.		
D446,718 S *	8/2001	Anderson	D9/422	
D449,160 S *	10/2001	Murphy	D3/271.1	
6,357,841 B1	3/2002	Alcini		
D457,374 S *	5/2002	Lee	D6/632	
6,443,304 B1	9/2002	Shiga et al.		
6,981,589 B2	1/2003	Sanders, Jr.		
D470,498 S *	2/2003	Argumedo et al.	D14/435	
D473,376 S *	4/2003	Abate	D3/294	
D477,143 S *	7/2003	Nagata et al.	D3/294	
D477,745 S *	7/2003	Shamoon	D6/632	
D484,352 S	12/2003	Palmer		
D486,498 S *	2/2004	Stamm et al.	D14/481	
6,964,339 B2	11/2005	Meyer		
6,981,586 B2	1/2006	Onmori et al.		
D525,971 S *	8/2006	Ayala et al.	D14/356	

* cited by examiner

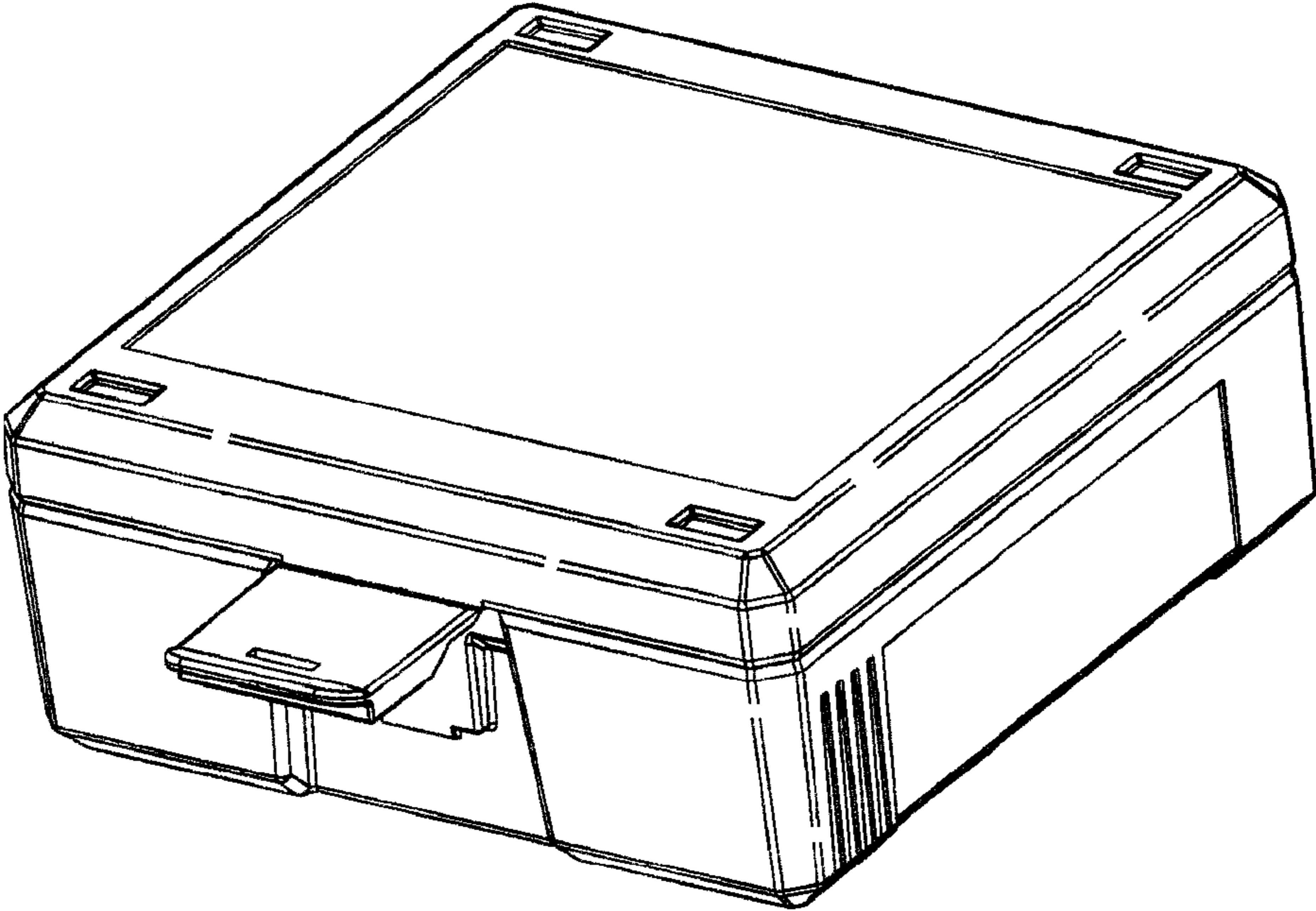


Fig. 1

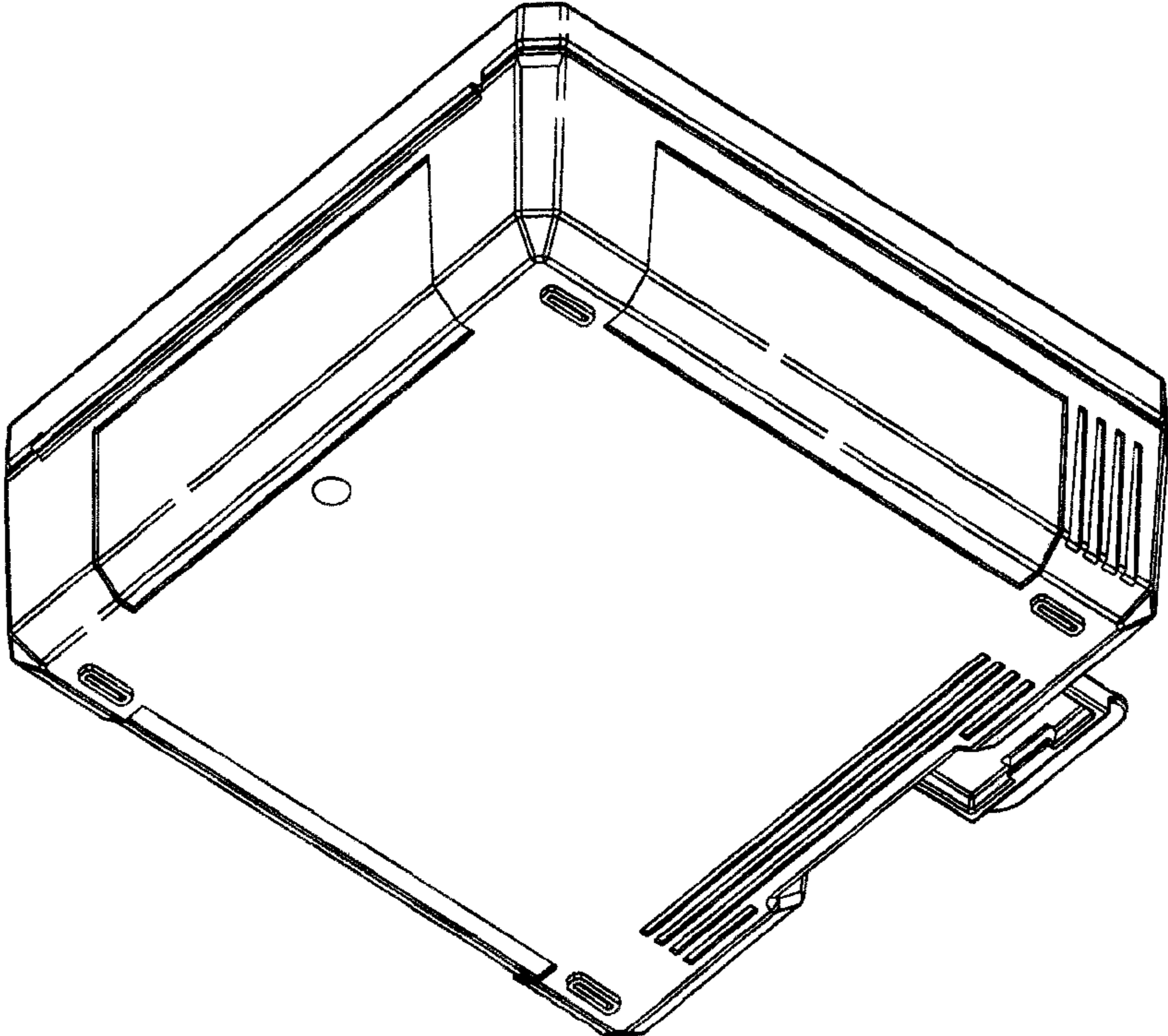


Fig. 2

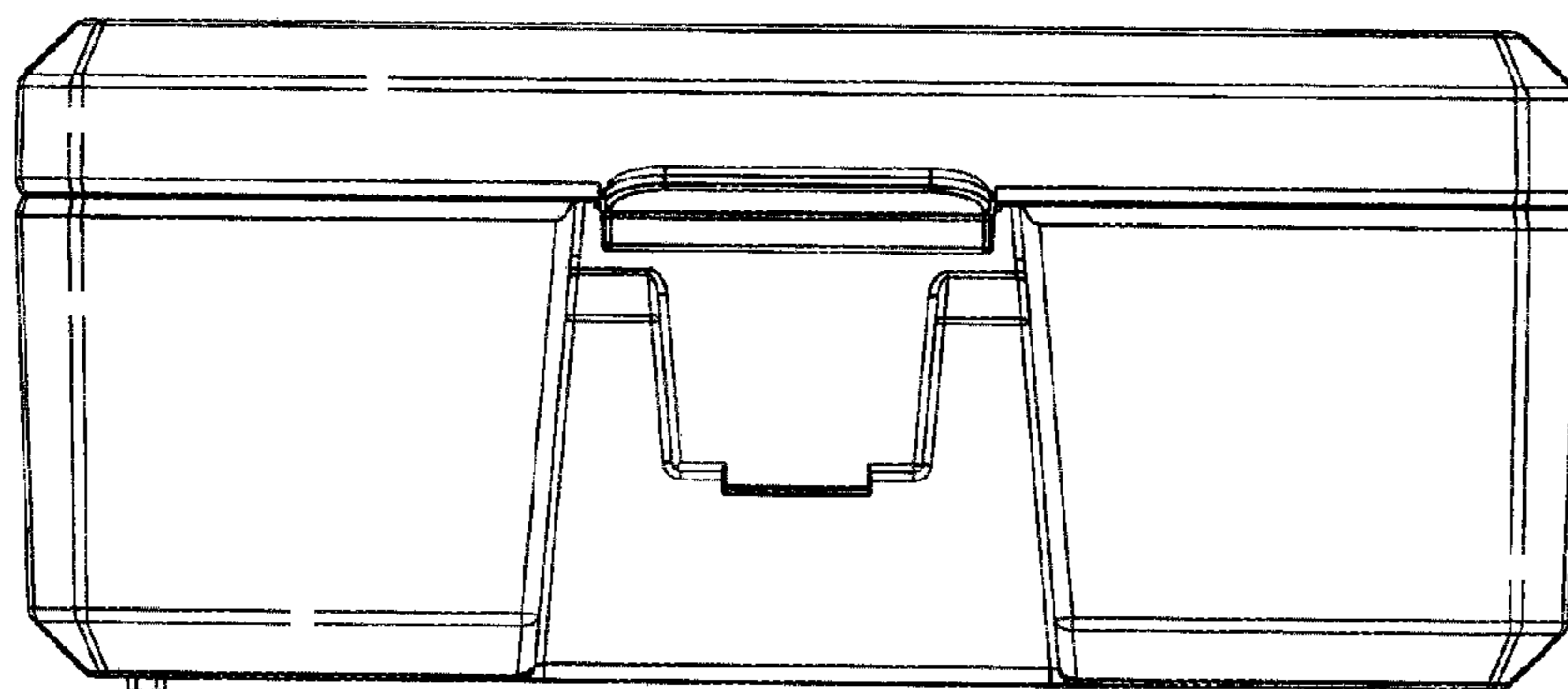


Fig. 3

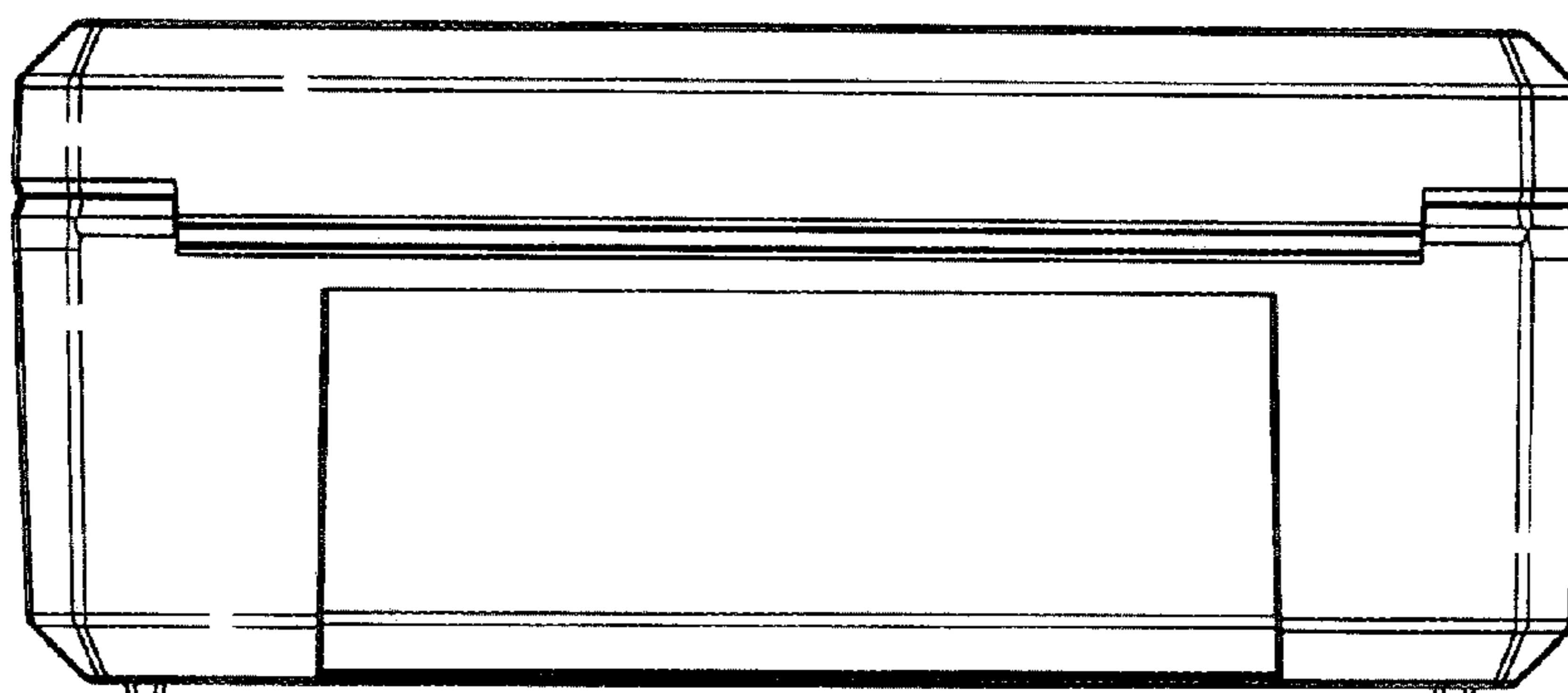


Fig. 4

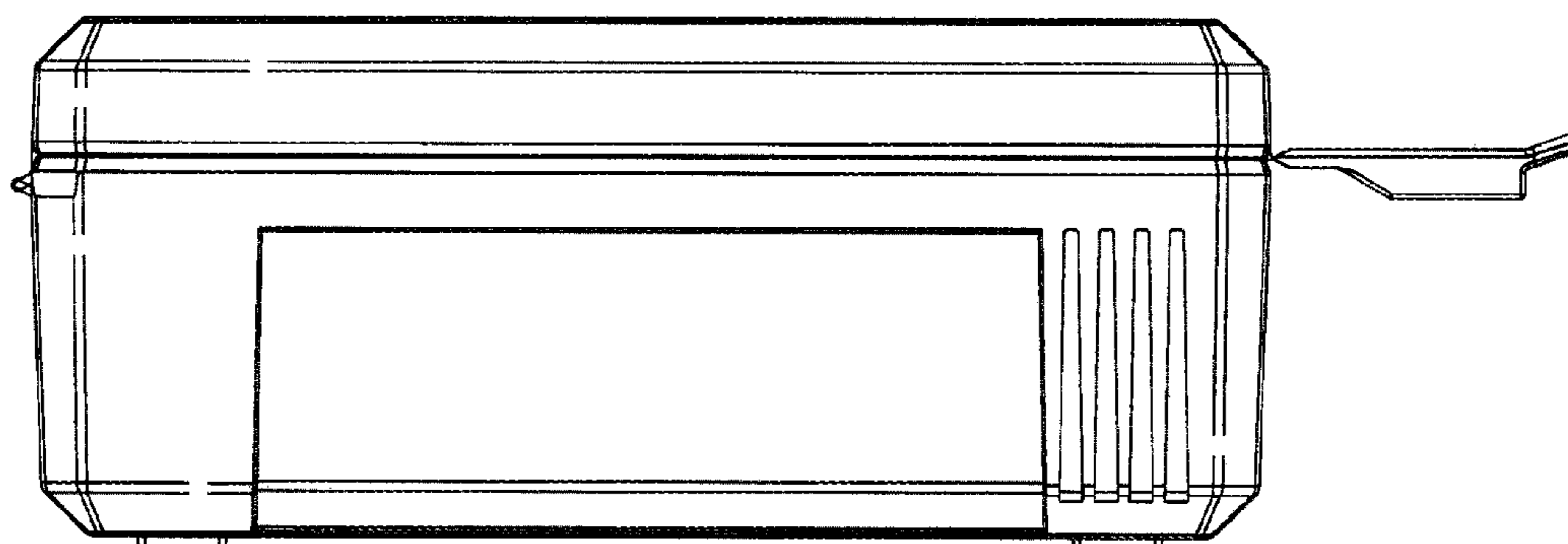
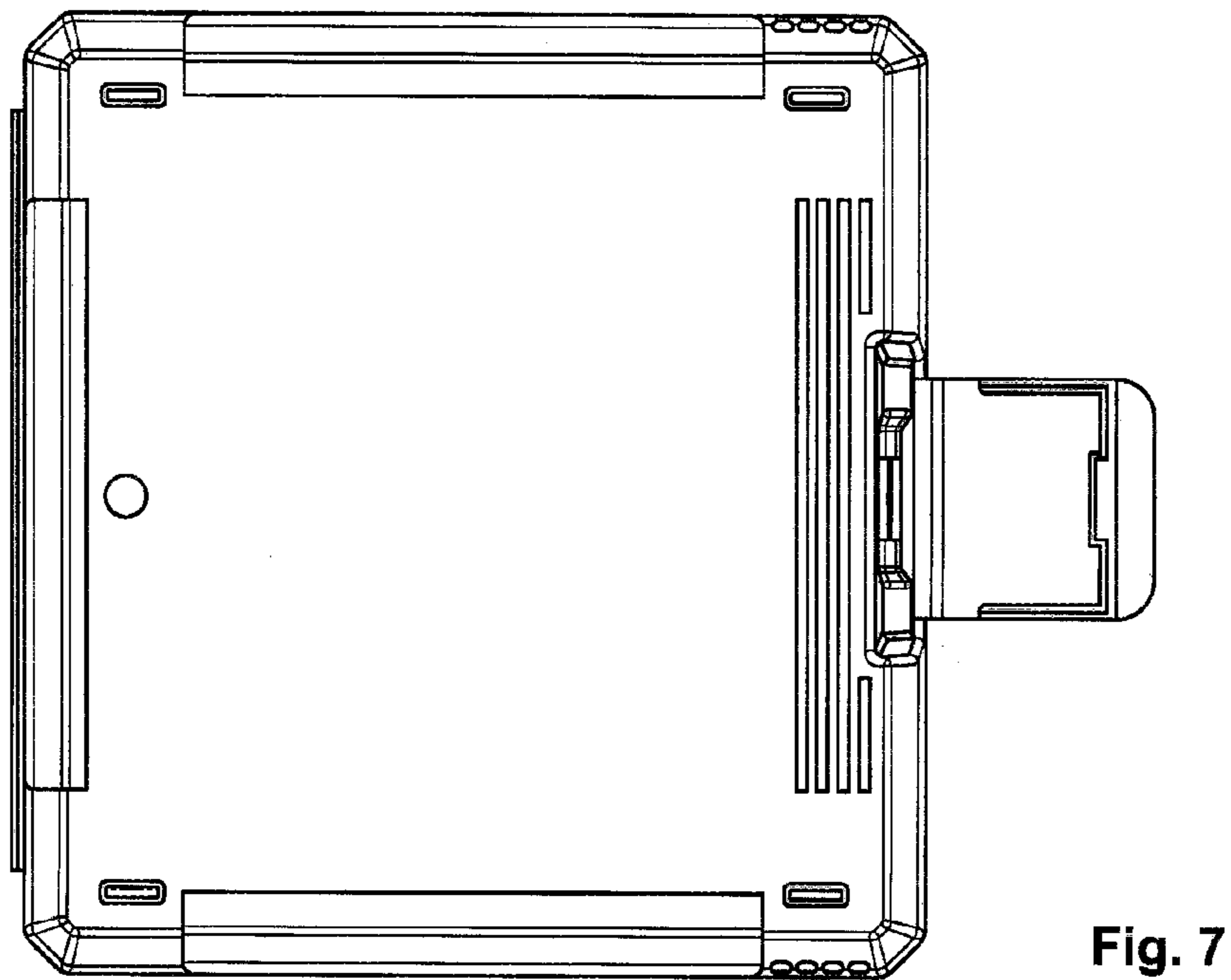
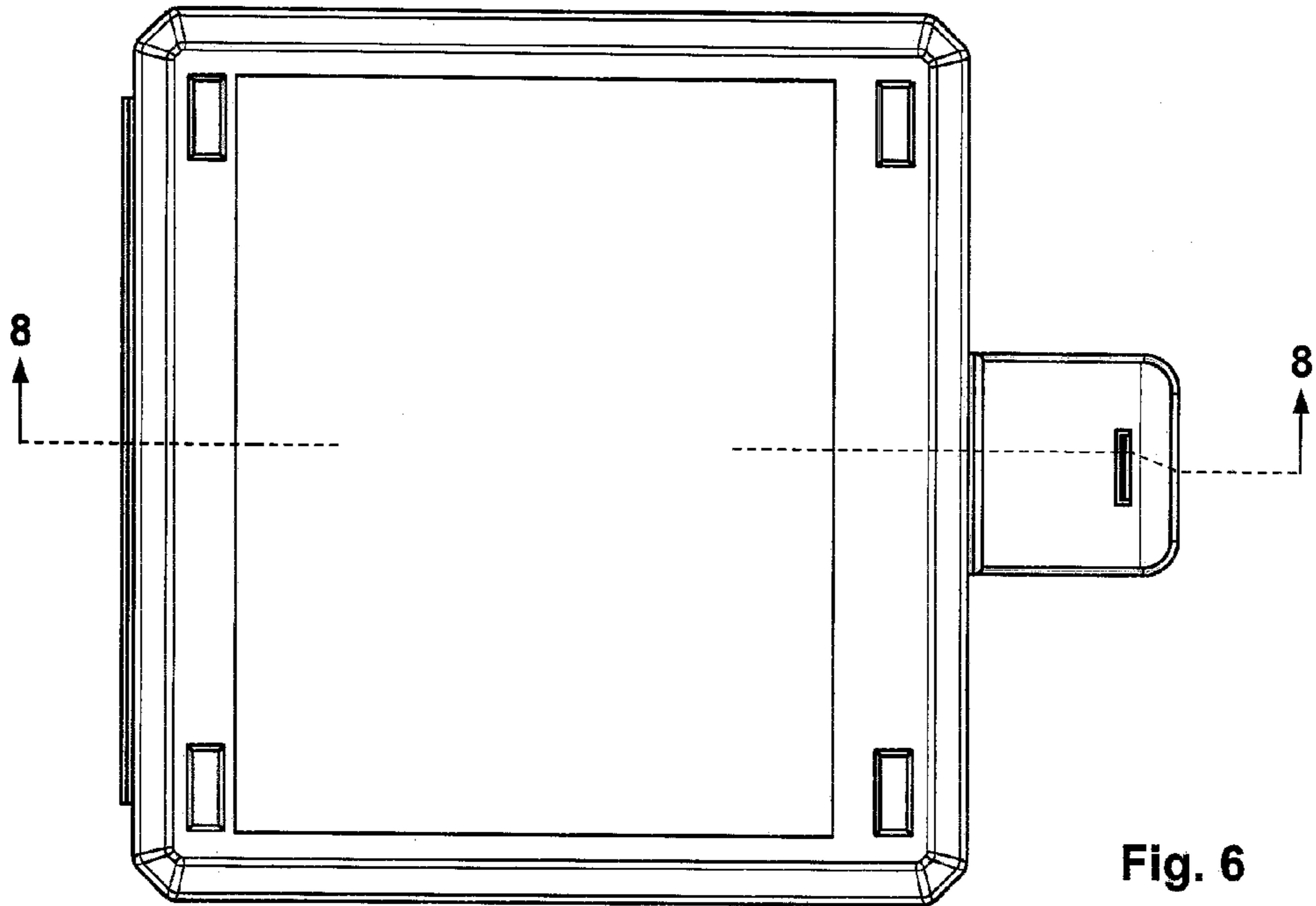


Fig. 5



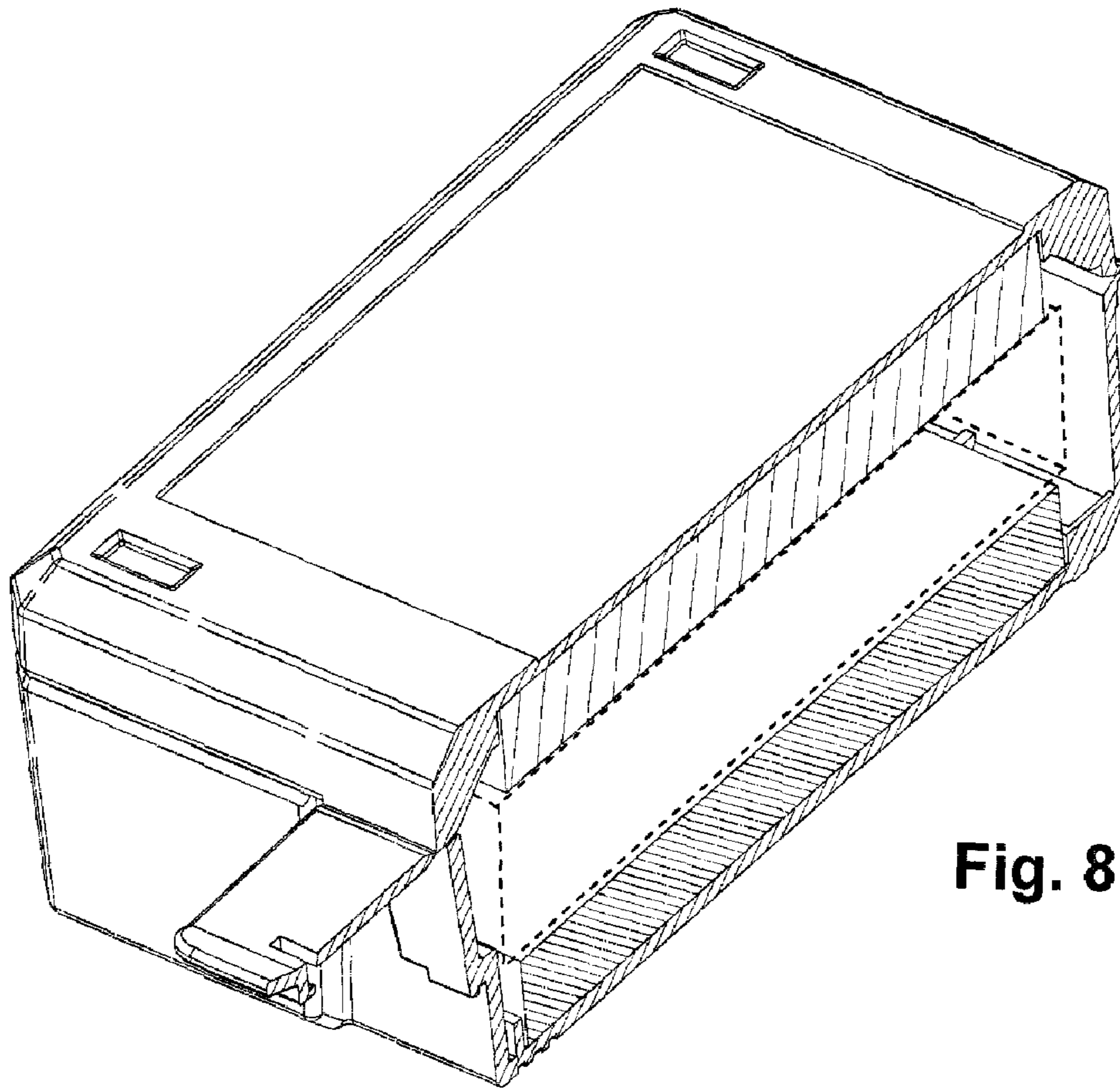


Fig. 8