



US00D569101S

(12) **United States Design Patent**  
**Wang et al.**

(10) **Patent No.:** **US D569,101 S**

(45) **Date of Patent:** **\*\* May 20, 2008**

(54) **EYEGGLASS HOLDER**

(76) Inventors: **Lihchyun Wang**, 3904 Bresee Ave.,  
#11, Baldwin Park, CA (US) 91706;  
**Wilson Wang**, 3904 Bresee Ave., #11,  
Baldwin Park, CA (US) 91706

(\*\*) Term: **14 Years**

(21) Appl. No.: **29/283,180**

(22) Filed: **Aug. 8, 2007**

**Related U.S. Application Data**

(63) Continuation-in-part of application No. 11/506,025,  
filed on Aug. 18, 2006, now abandoned.

(51) **LOC (8) Cl.** ..... **03-01**

(52) **U.S. Cl.** ..... **D3/266; D3/263**

(58) **Field of Classification Search** ..... D3/219,  
D3/263, 264, 265, 266; D6/523, 550; 206/5,  
206/5.1, 6; 248/124.1, 183.1

See application file for complete search history.

(56) **References Cited**

**U.S. PATENT DOCUMENTS**

D101,210	S	*	9/1936	Conners	.....	D6/550
D120,972	S	*	6/1940	Desser	.....	D6/550
2,663,530	A		12/1953	Nye		
D182,150	S	*	2/1958	Unetic	.....	D6/550
2,884,220	A	*	4/1959	Manley	.....	248/316.8
3,384,987	A		5/1968	Prechtl		
D259,180	S	*	5/1981	Zeiger	.....	D9/451
5,056,668	A		10/1991	Berger		
5,316,252	A	*	5/1994	Charnow et al.	.....	248/224.51
D414,638	S		10/1999	Brightbill		
D417,115	S		11/1999	Creel		
D448,929	S	*	10/2001	Burke	.....	D3/266

D455,924	S	*	4/2002	Zetsche	.....	D6/523
D464,248	S	*	10/2002	Laabs et al.	.....	D8/343
D466,292	S		12/2002	Hulback et al.		
D485,742	S	*	1/2004	Heberle	.....	D8/354
D503,329	S	*	3/2005	Berberet	.....	D8/350
6,955,270	B2	*	10/2005	Lay et al.	.....	211/85.11
D528,839	S	*	9/2006	Kirar	.....	D6/550
D533,384	S	*	12/2006	Gilbert	.....	D6/550
D551,886	S	*	10/2007	Berberet	.....	D6/524

\* cited by examiner

*Primary Examiner*—Celia A Murphy

(74) *Attorney, Agent, or Firm*—Chen Yoshimura LLP

(57) **CLAIM**

The ornamental design for an eyeglass holder, as shown and described.

**DESCRIPTION**

FIG. 1 is a front, top and left side perspective view of an eyeglass holder showing our new design;

FIG. 2 is a top plan view thereof;

FIG. 3 is a bottom plan view thereof;

FIG. 4 is a right side elevational view thereof, the left side elevational view being a mirror image of the right side elevational view;

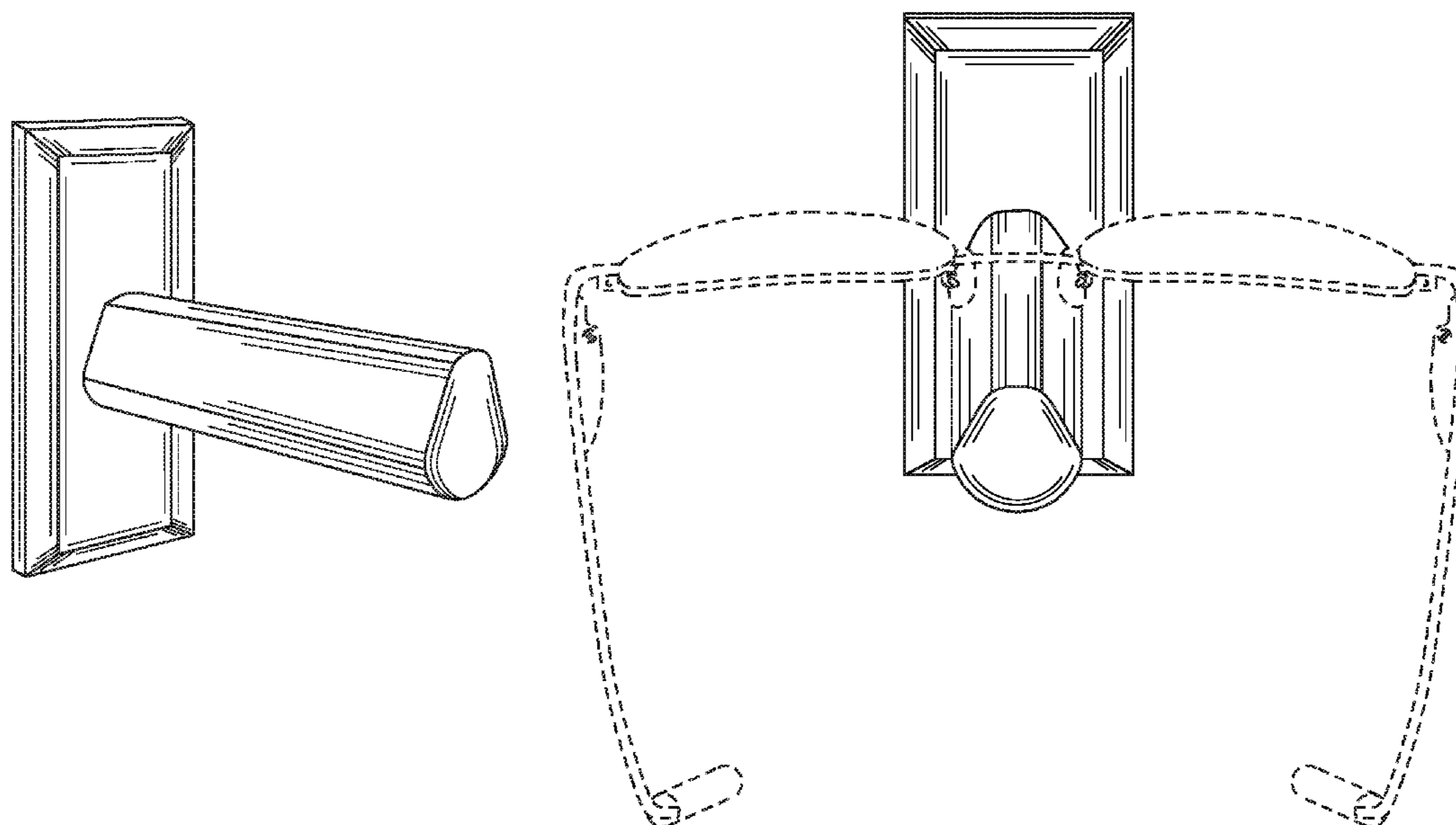
FIG. 5 is a front elevational view thereof;

FIG. 6 is a rear elevational view thereof; and,

FIG. 7 is a front and top perspective view of the eyeglass holder with a pair of eyeglasses held thereon.

The broken lines shown in the drawings are for illustrating environmental structures that form no part of the claimed design.

**1 Claim, 4 Drawing Sheets**



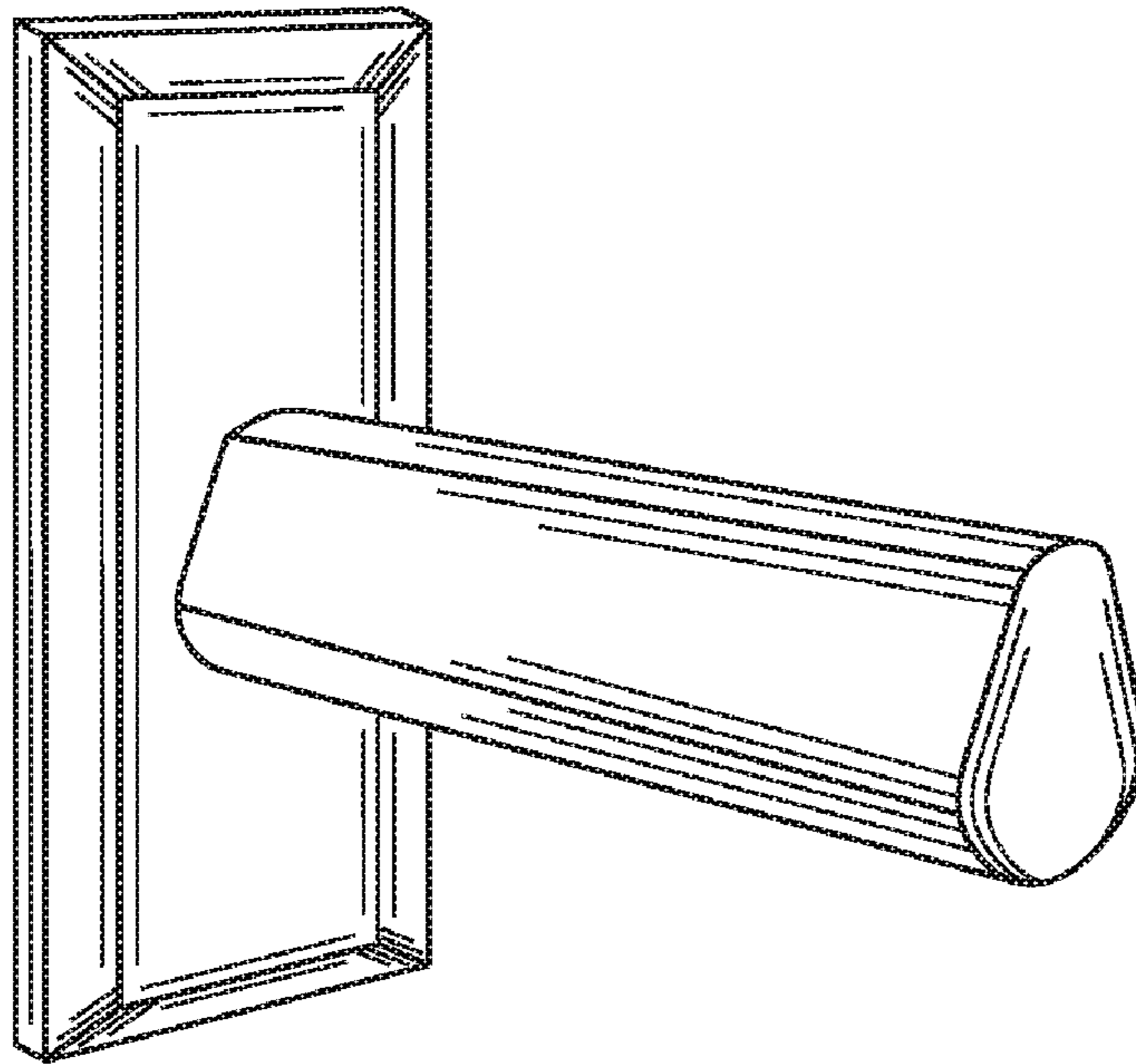


FIG. 1

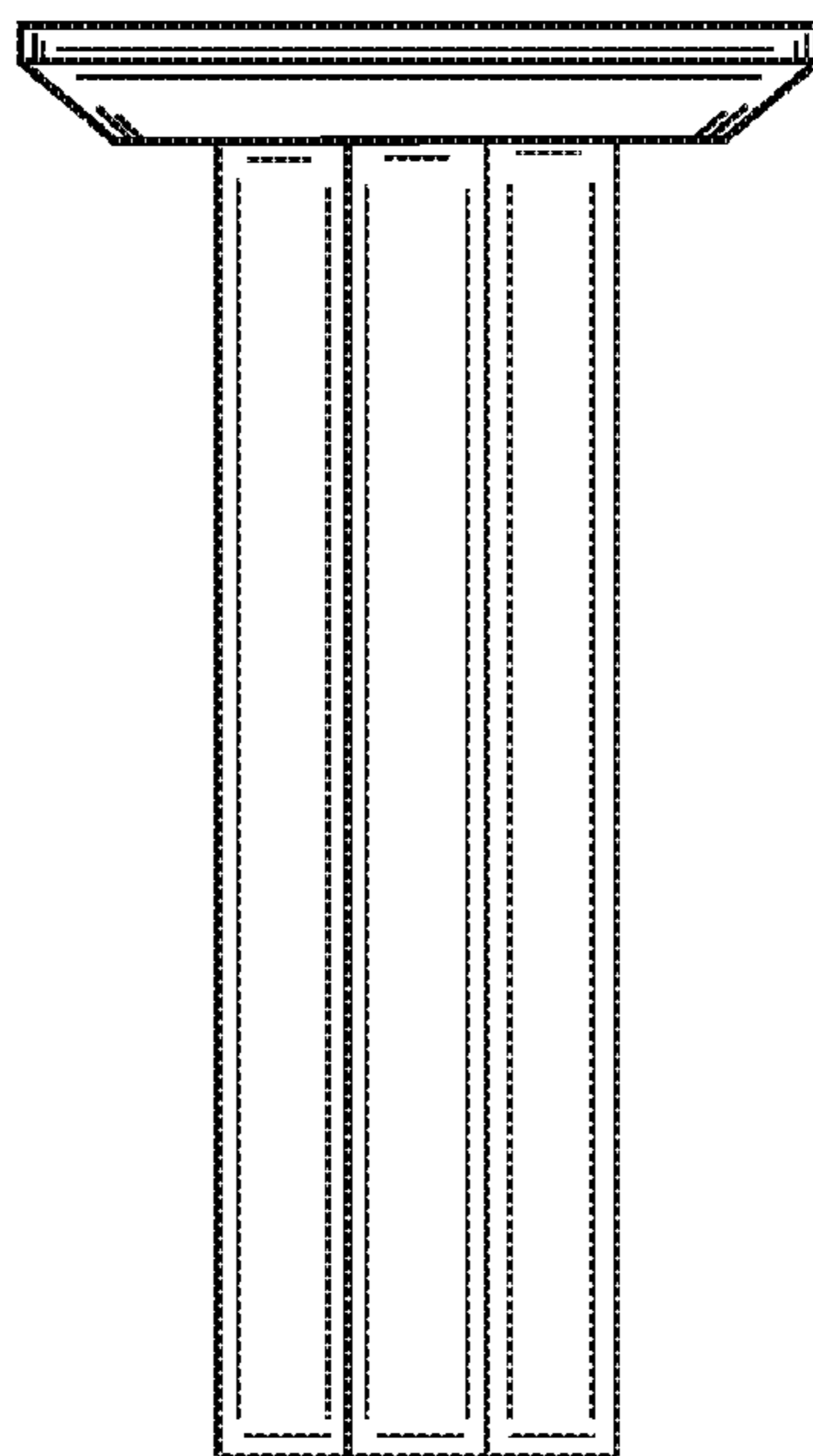


FIG. 2

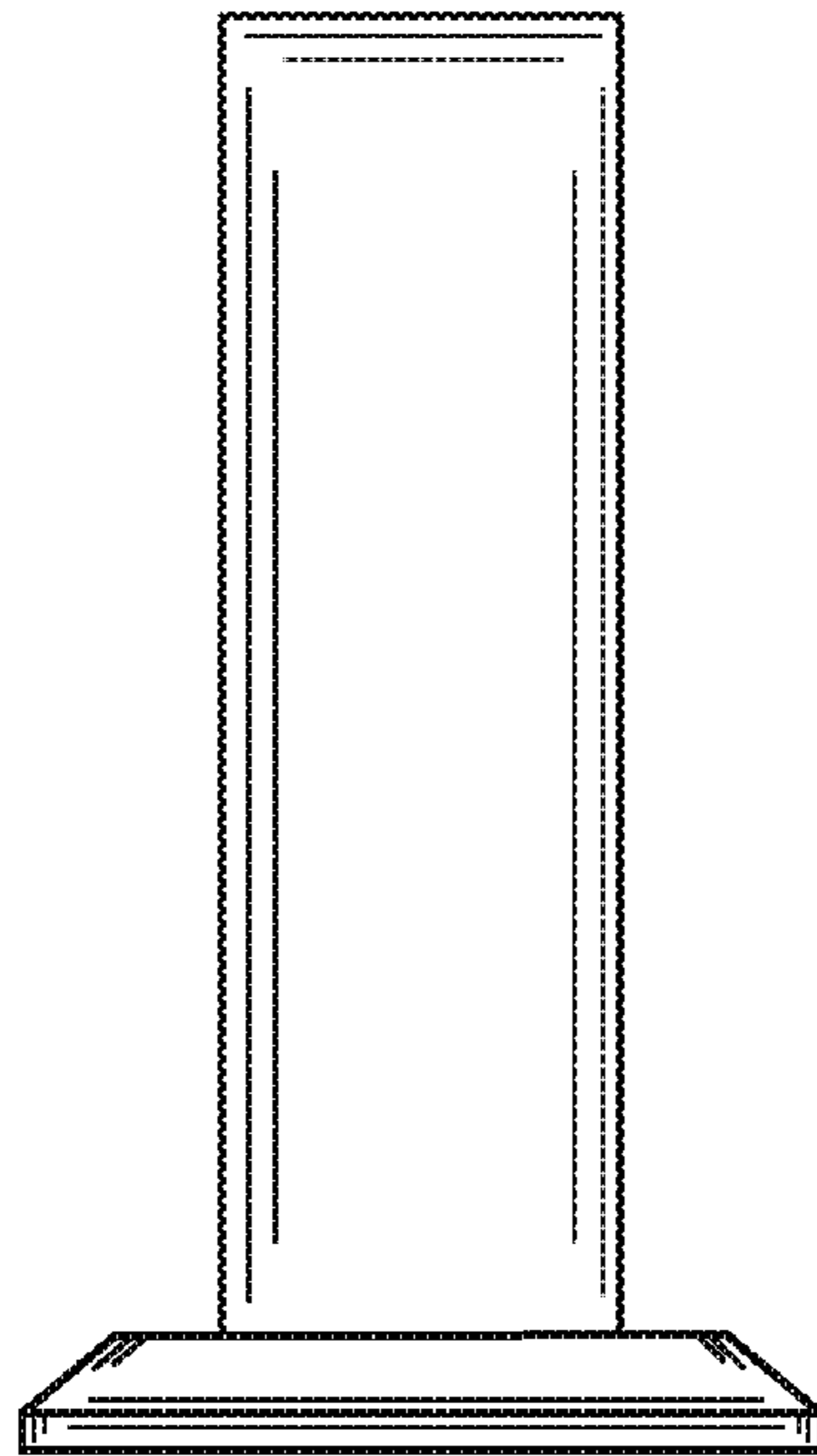


FIG. 3

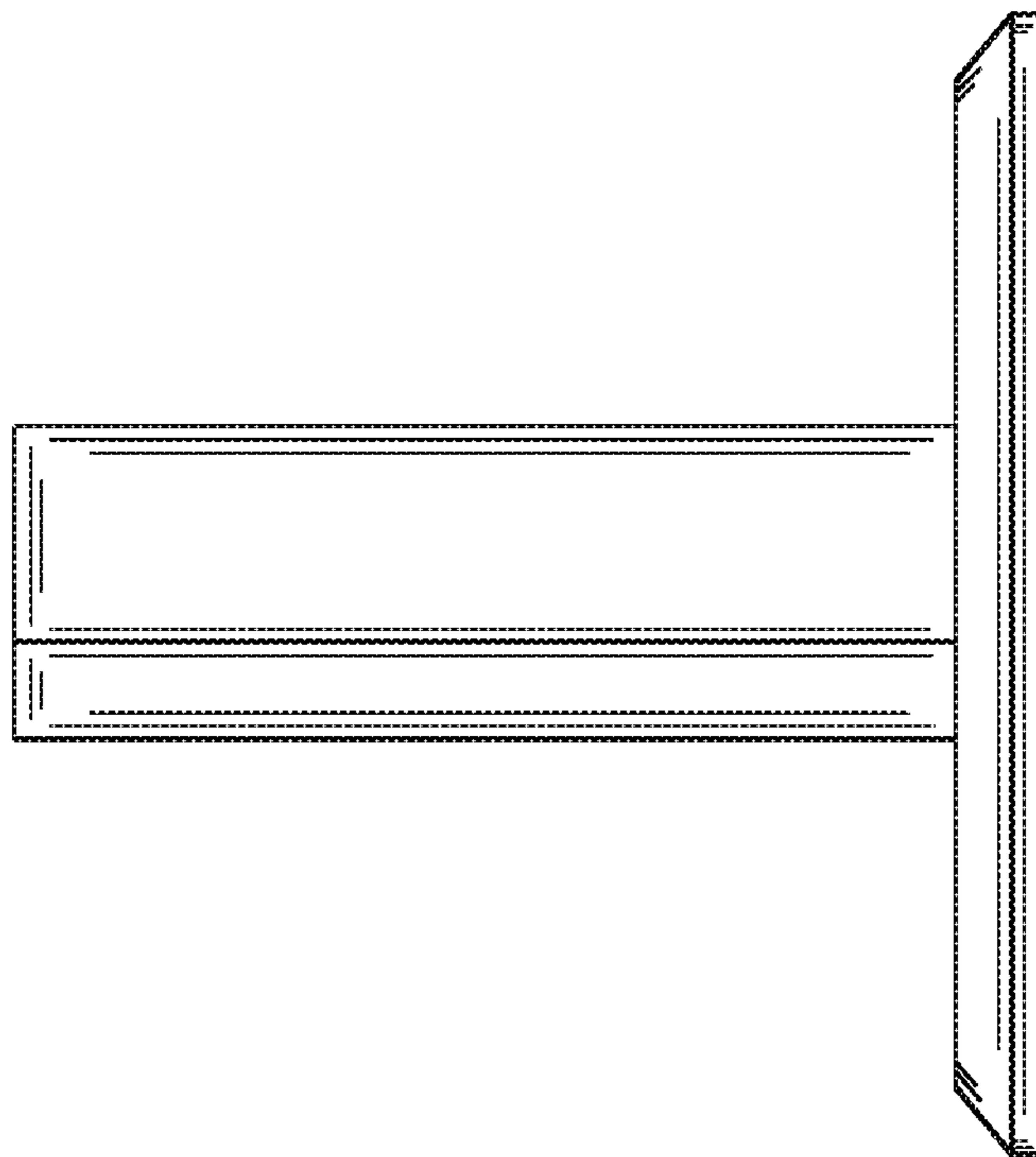


FIG. 4

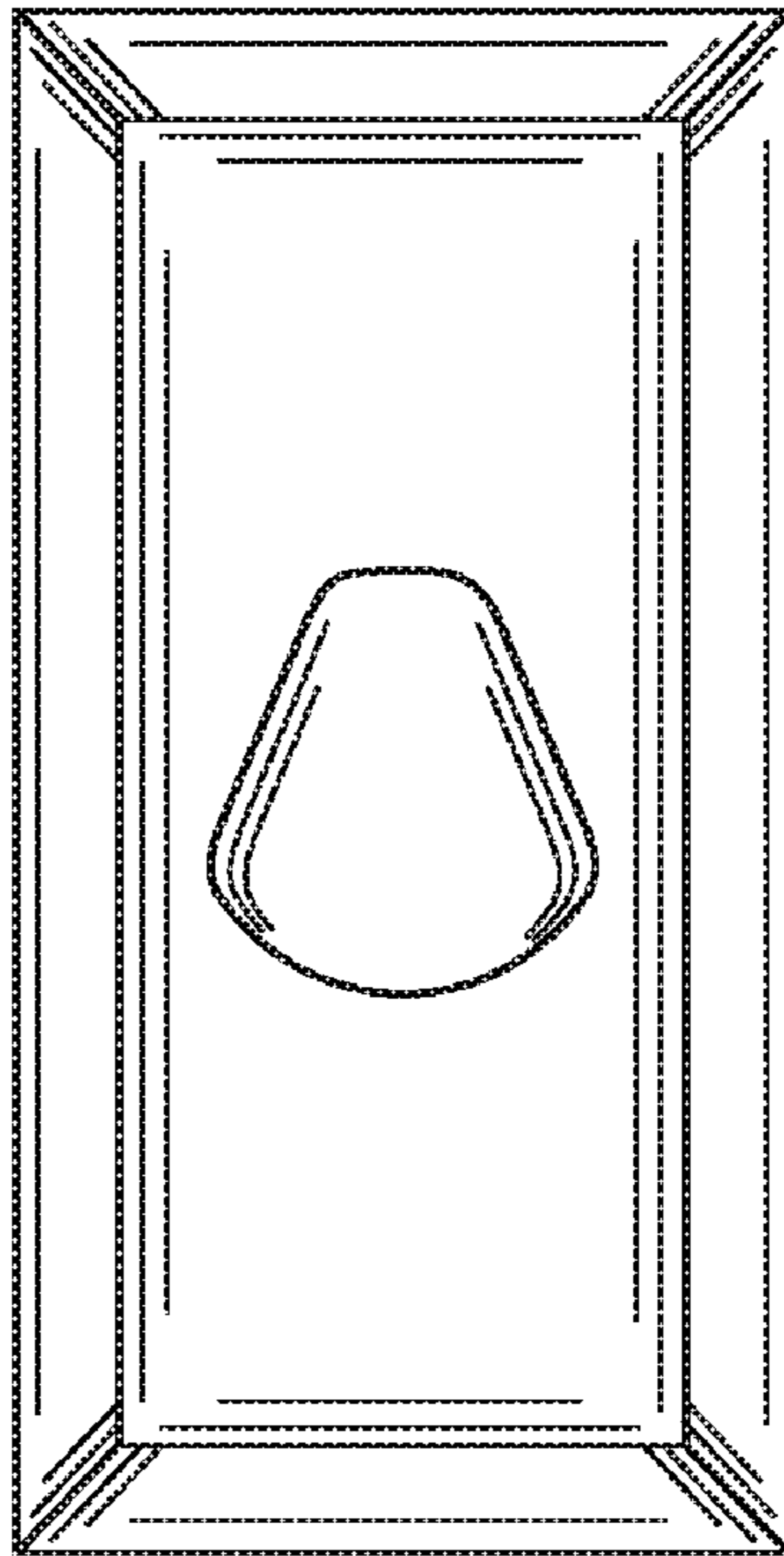


FIG. 5

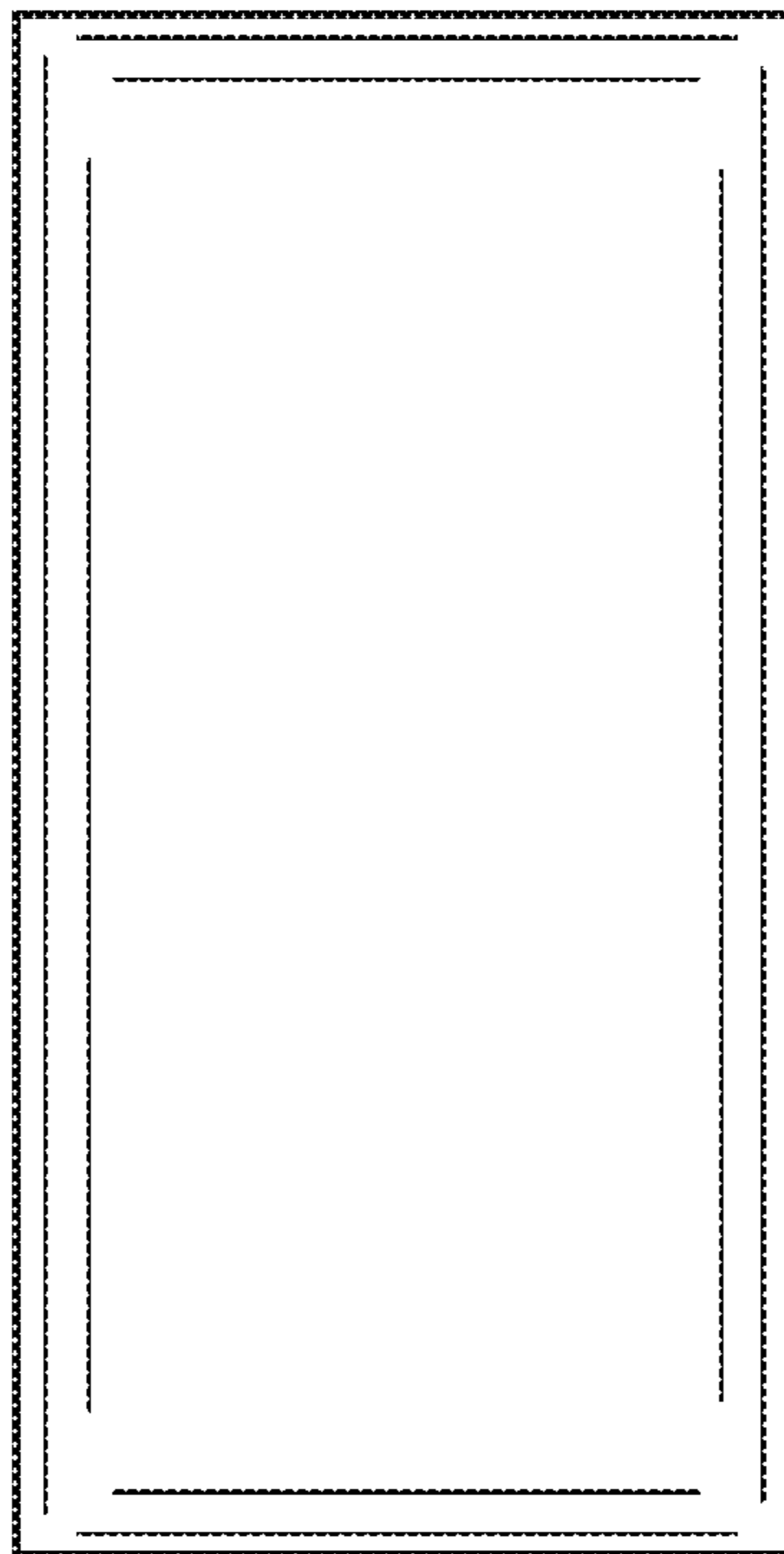


FIG. 6

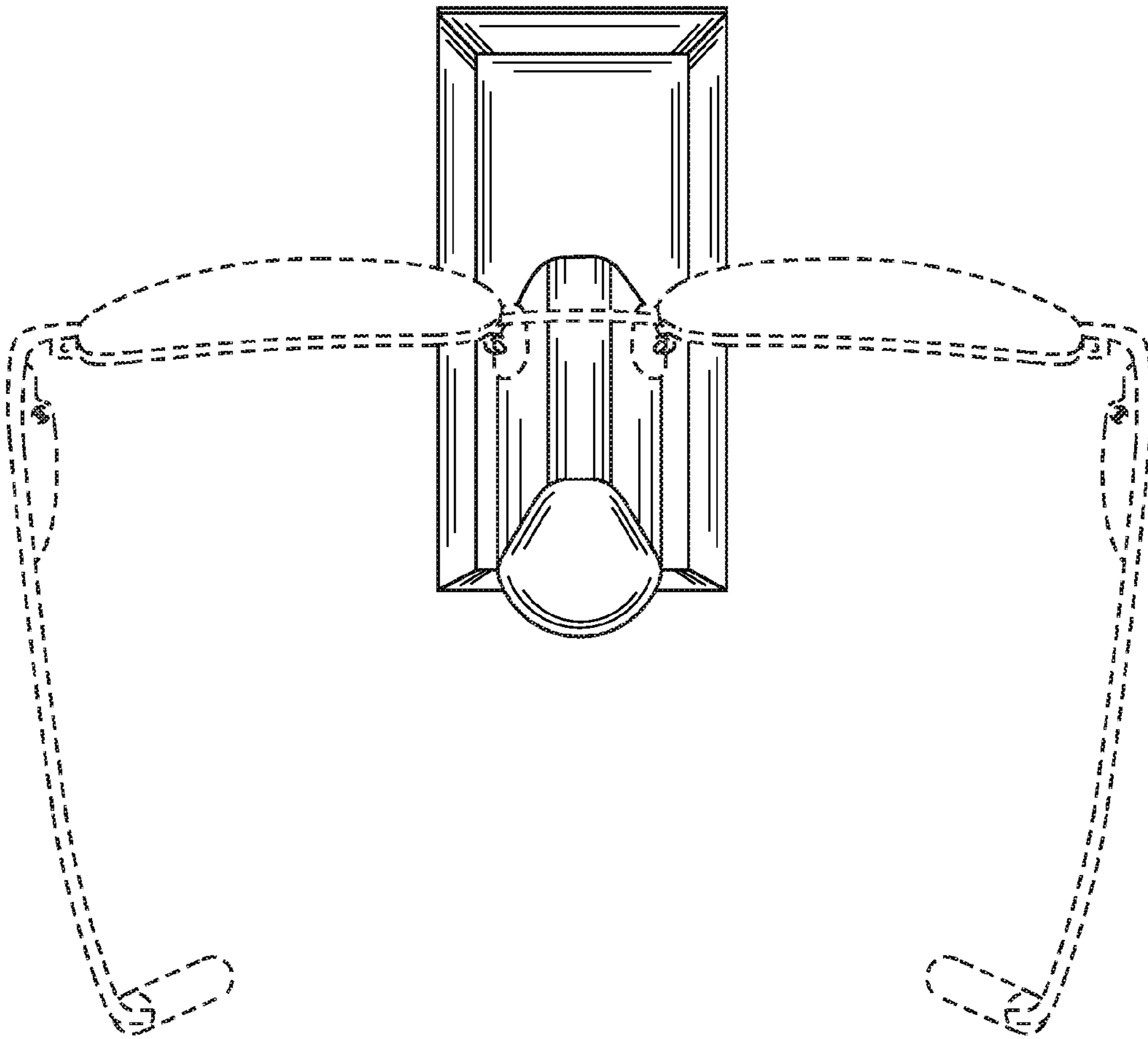


FIG. 7