



US00D569090S

(12) **United States Design Patent**  
**Uratsu**

(10) **Patent No.:** **US D569,090 S**  
(45) **Date of Patent:** **\*\* May 20, 2008**

(54) **PORTION OF A FOOTWEAR UPPER**

D136,965 S \* 1/1944 Wharton ..... D2/911

(75) Inventor: **Sarah Uratsu**, Santa Barbara, CA (US)

\* cited by examiner

(73) Assignee: **Deckers Outdoor Corporation**, Goleta, CA (US)

*Primary Examiner*—Stella M. Reid

*Assistant Examiner*—Rashida C McCoy

(74) *Attorney, Agent, or Firm*—Greer, Burns & Crain, Ltd.

(\*\*) Term: **14 Years**

(57) **CLAIM**

(21) Appl. No.: **29/292,678**

The ornamental design for a portion of a footwear upper, as shown and described.

(22) Filed: **Oct. 24, 2007**

(51) **LOC (8) Cl.** ..... **02-99**

(52) **U.S. Cl.** ..... **D2/970**

(58) **Field of Classification Search** ..... D2/896,  
D2/909–912, 943, 969, 970, 972, 978; 36/45,  
36/11.5, 8.1, 77 M, 77 R

See application file for complete search history.

**DESCRIPTION**

FIG. 1 is a front perspective view of a portion of a footwear upper showing my new design;

FIG. 2 is a lateral side elevational view thereof;

FIG. 3 is a medial side elevational view thereof;

FIG. 4 is a front elevational view thereof;

FIG. 5 is a rear elevational view thereof;

FIG. 6 is a top plan view thereof; and,

FIG. 7 is a bottom plan view thereof.

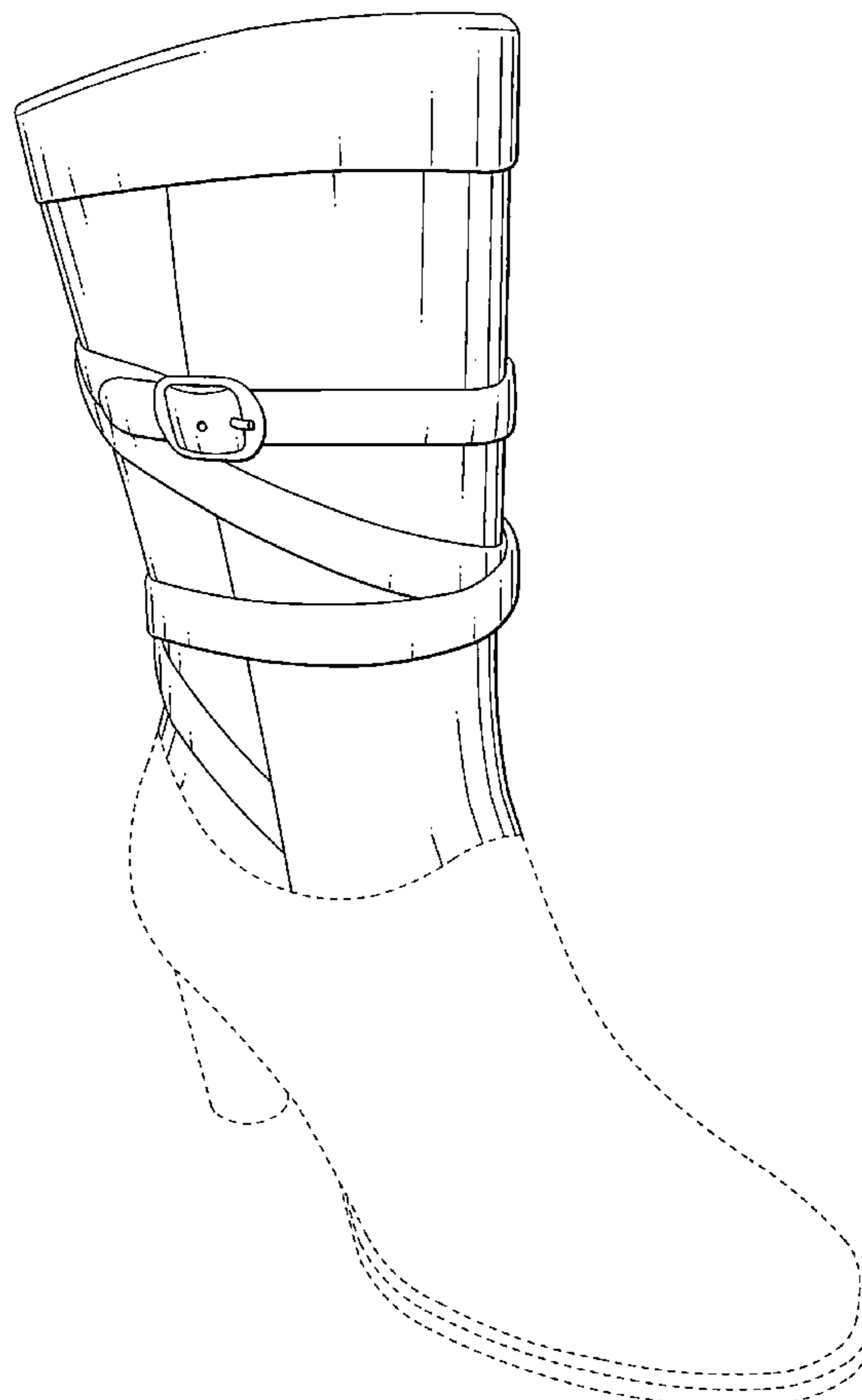
The broken lines in FIGS. 1–7 represent portions of the footwear that form no part of the claimed design.

(56) **References Cited**

**U.S. PATENT DOCUMENTS**

674,726 A *	5/1901	Bray	.....	36/2 R
1,165,874 A *	12/1915	Hale	.....	36/50.1
D64,104 S *	2/1924	Kezy	.....	D2/911
D76,218 S *	9/1928	Bott	.....	D2/911
D122,454 S *	9/1940	Ascheim	.....	D2/911
D129,261 S *	9/1941	Justin	.....	D2/911

**1 Claim, 5 Drawing Sheets**



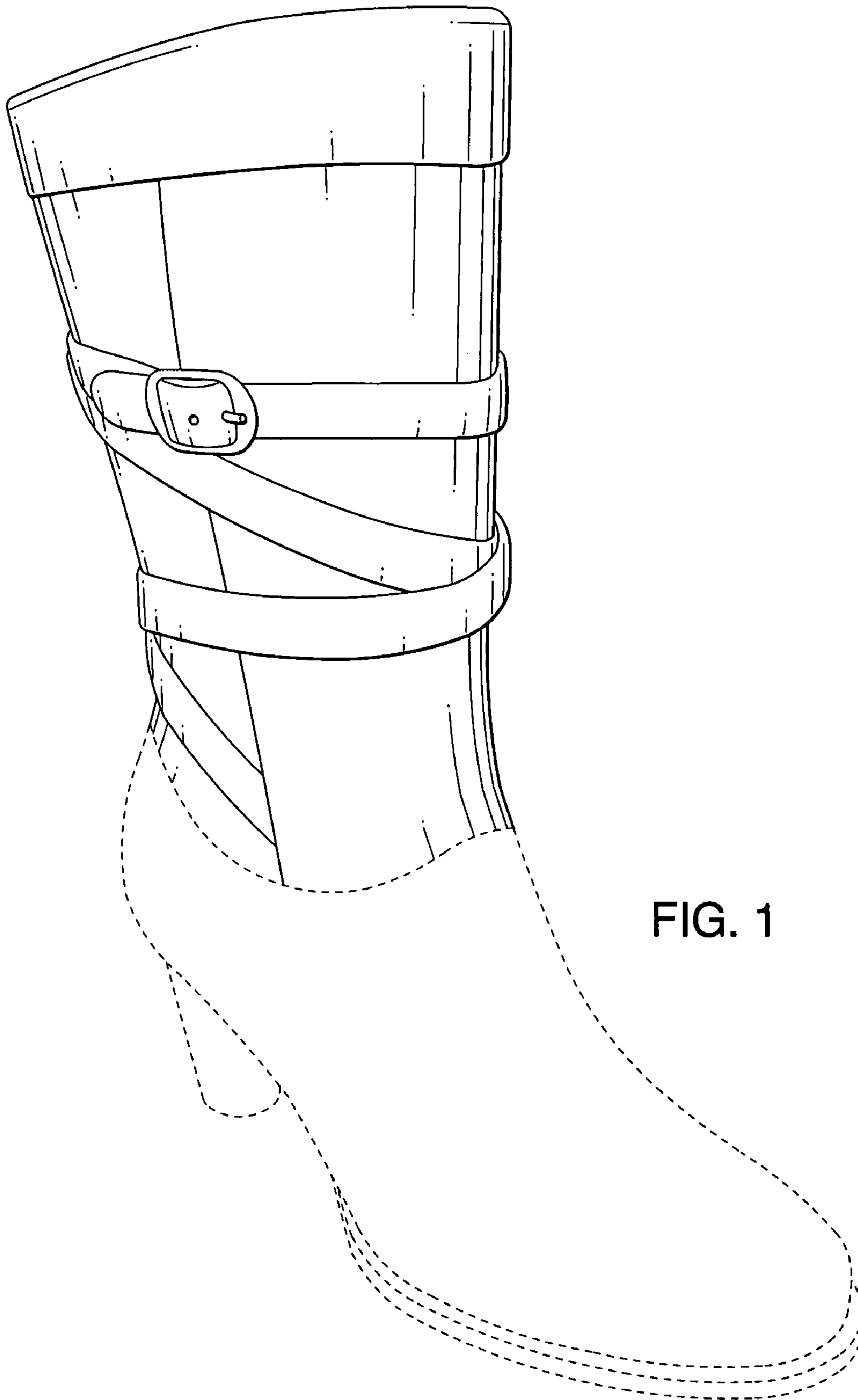


FIG. 1

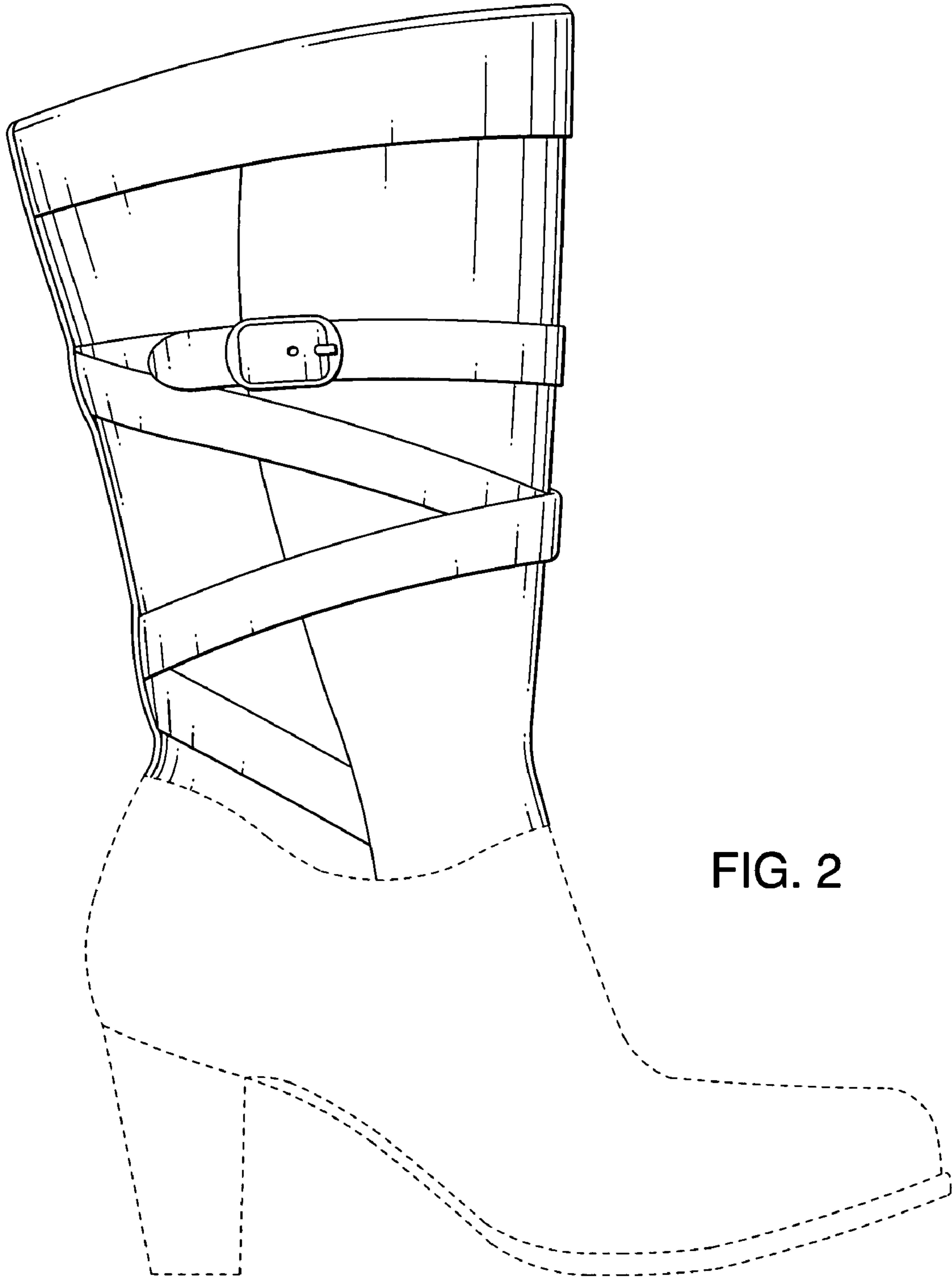


FIG. 2

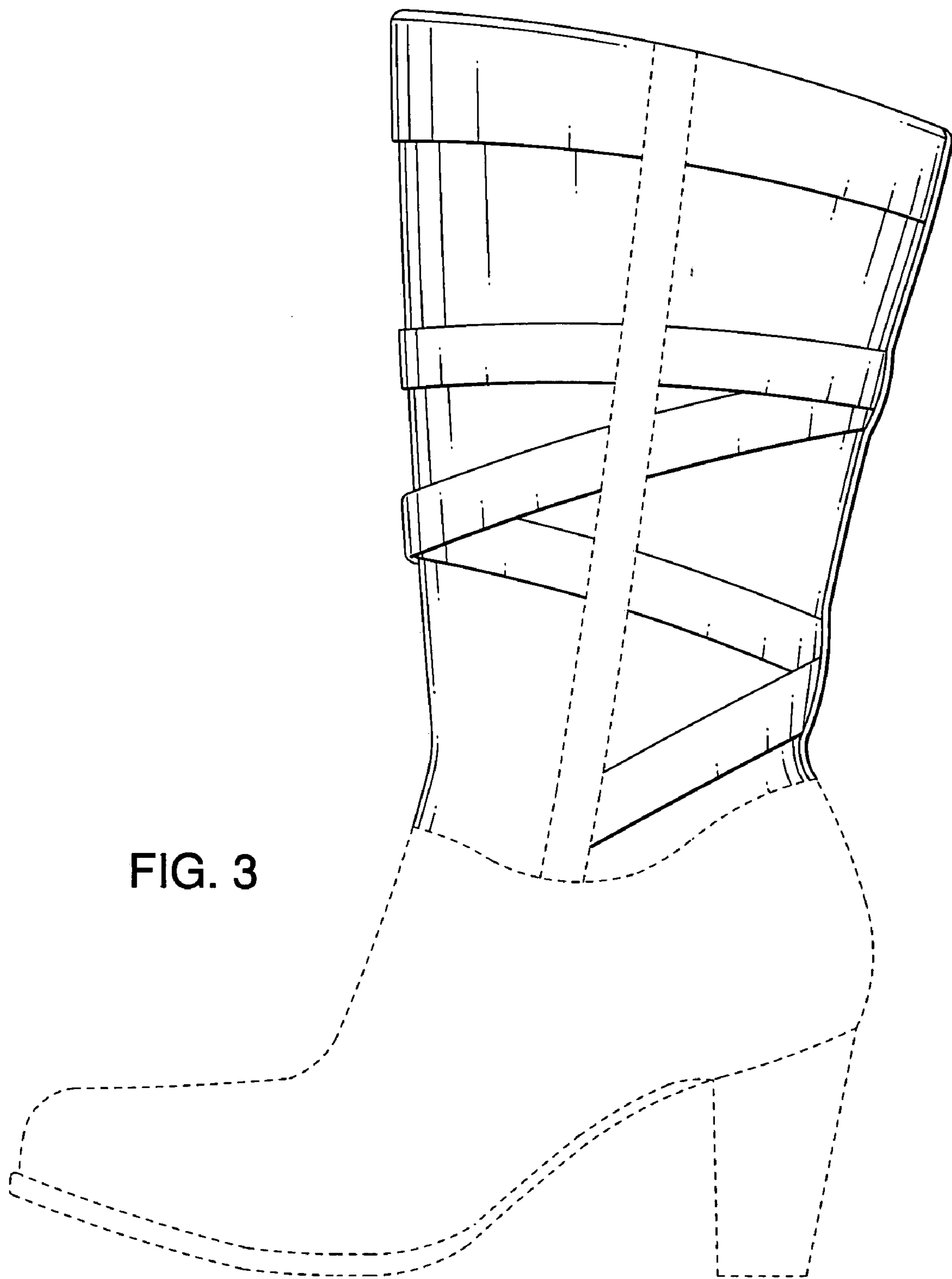


FIG. 3

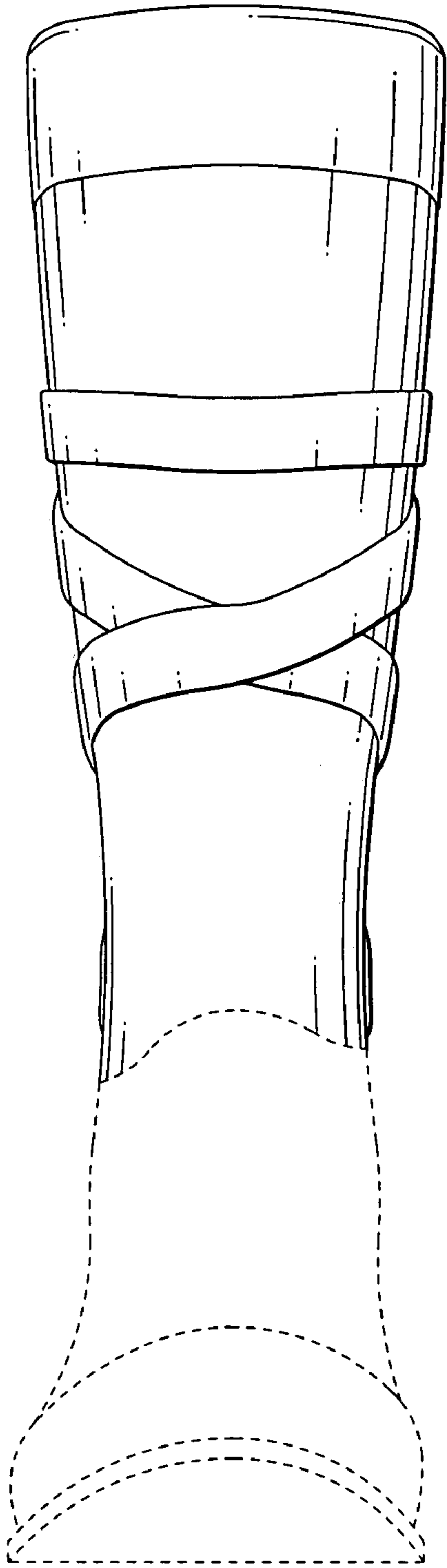


FIG. 4

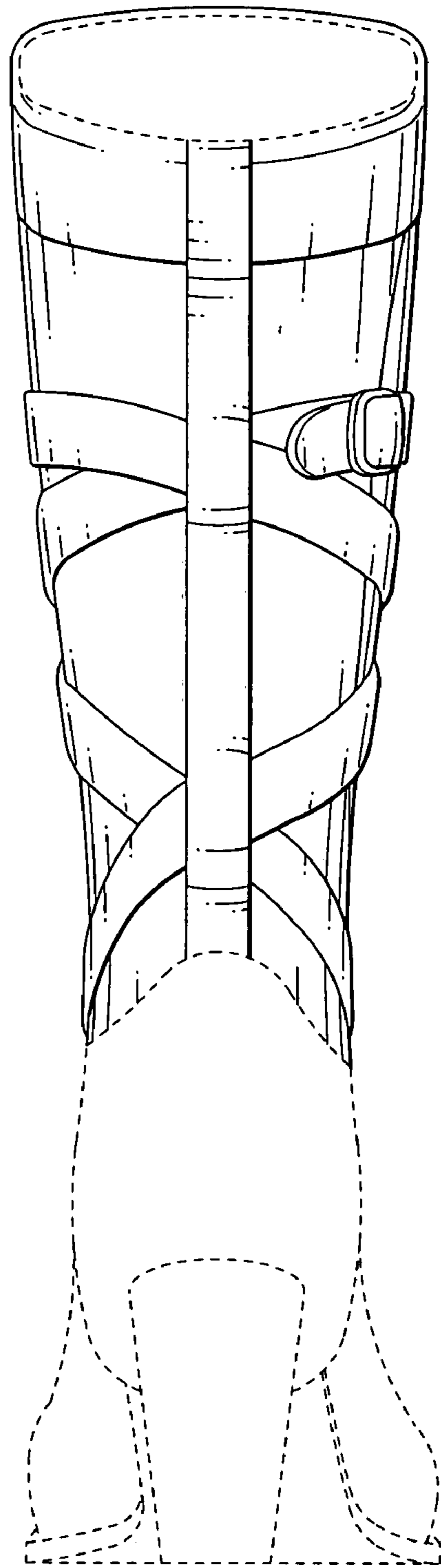


FIG. 5

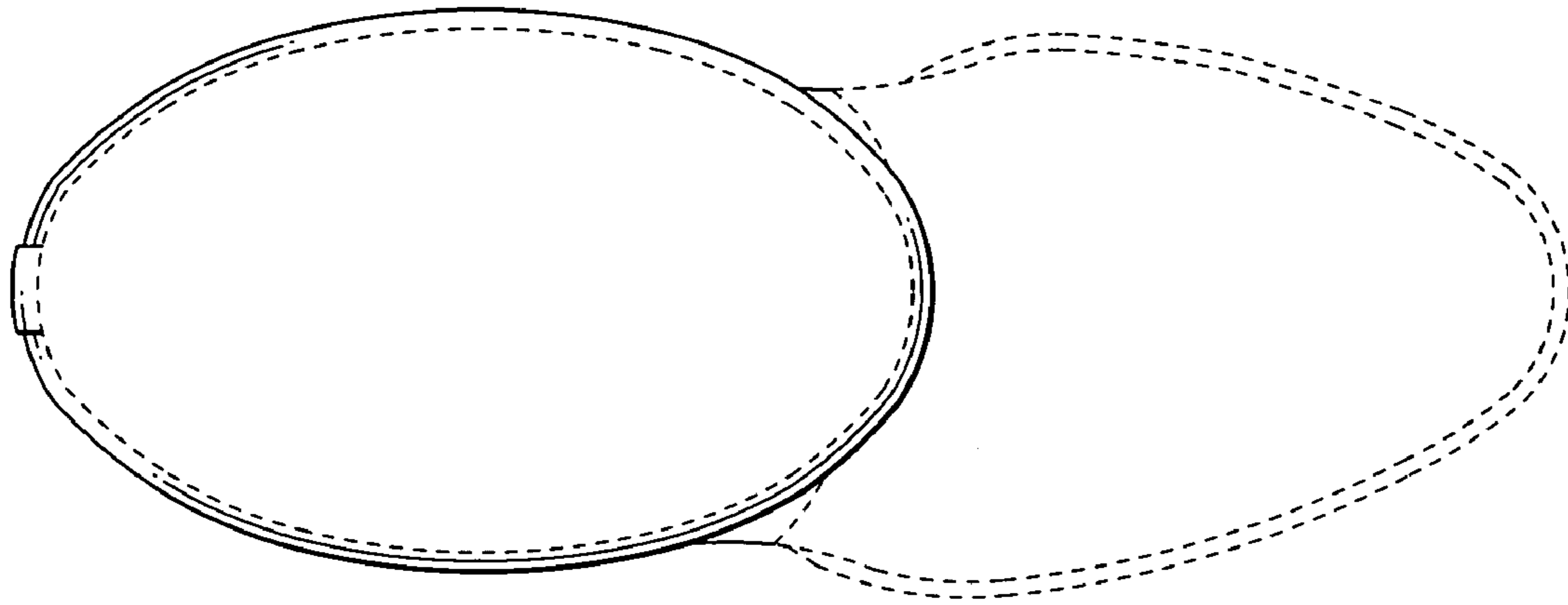


FIG. 6

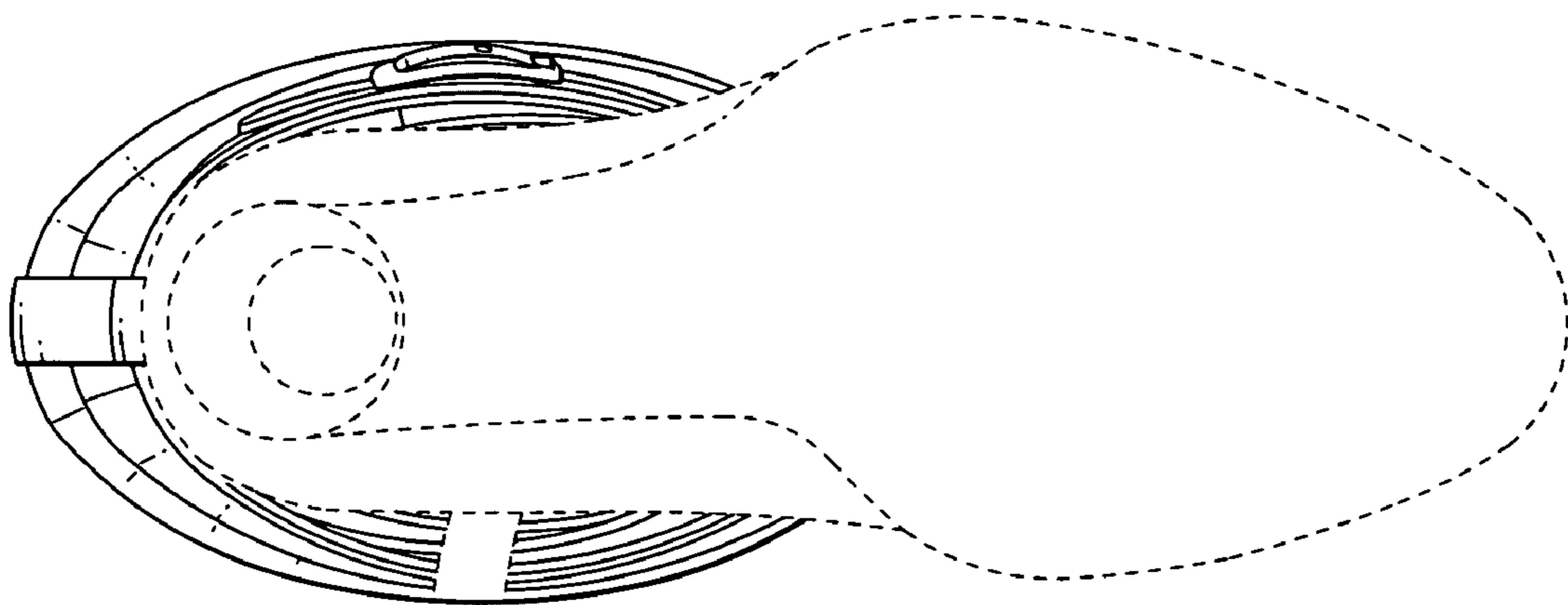


FIG. 7