



US00D569086S

(12) **United States Design Patent** (10) **Patent No.:** **US D569,086 S**
Le (45) **Date of Patent:** **** May 20, 2008**

(54) **FOOTWEAR OUTSOLE**

(75) Inventor: **Tuan Le**, Portland, OR (US)

(73) Assignee: **Deckers Outdoor Corporation**, Goleta, CA (US)

(**) Term: **14 Years**

(21) Appl. No.: **29/289,336**

(22) Filed: **Jul. 17, 2007**

(51) **LOC (8) Cl.** **02-04**

(52) **U.S. Cl.** **D2/957; D2/953**

(58) **Field of Classification Search** D2/902,
D2/947, 951-955, 957-960; 36/3 B, 22 R,
36/24.5, 25 R, 28, 32 R, 34 R, 67 A, 59 C
See application file for complete search history.

(56) **References Cited**

U.S. PATENT DOCUMENTS

D281,286 S *	11/1985	Mangini et al.	D2/952
D378,239 S *	3/1997	Bramani	D2/953
D378,318 S *	3/1997	James	D2/953
D394,947 S *	6/1998	Avar	D2/960
D414,922 S *	10/1999	Wright	D2/960
D507,695 S *	7/2005	McClaskie	D2/960
D523,614 S *	6/2006	Mitchell	D2/960
D540,014 S *	4/2007	Turner et al.	D2/957
D543,340 S *	5/2007	Favreau et al.	D2/960
D546,036 S *	7/2007	Schoenborn et al.	D2/957
D551,834 S *	10/2007	Favreau et al.	D2/957
D561,431 S *	2/2008	Walton et al.	D2/902

OTHER PUBLICATIONS

UGG Australia, Fall '98 Regional Ad Slicks, Outsoles, pp. 1 and 2.
UGG Australia, Adirondack Collection Outsole, p. 12.

UGG Australia, Winter 2002 Collection, Aspen Outsole, p. 21.

UGG Australia, Fall/Winter 2003, Soho Outsole.

UGG Australia, Fall/Winter 2003, Cambridge Outsole.

UGG Australia, Fall/Winter 2004, Essential Short Outsole, p. 3.

UGG Australia, Fall/Winter 2004, Ultimate Tall, p. 5.

* cited by examiner

Primary Examiner—Celia A. Murphy

(74) *Attorney, Agent, or Firm*—Greer, Burns & Crain, Ltd.

(57) **CLAIM**

The ornamental design for a footwear outsole, as shown and described.

DESCRIPTION

FIG. 1 is a bottom perspective view of a footwear outsole showing my new design;

FIG. 2 is a left side elevational view thereof;

FIG. 3 is a right side elevational view thereof;

FIG. 4 is a bottom plan view thereof;

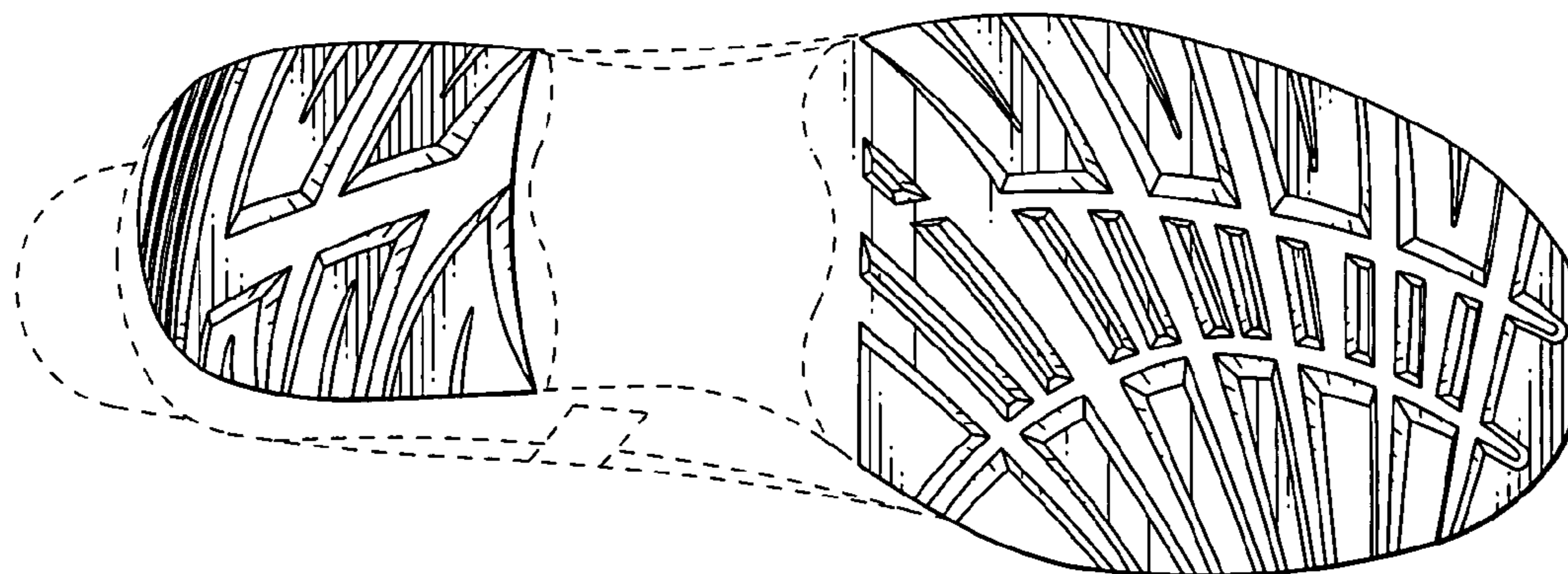
FIG. 5 is a top plan view thereof;

FIG. 6 is a front elevational view thereof; and,

FIG. 7 is a rear elevational view thereof.

The broken lines immediately adjacent to the solid lines in FIGS. 1-3 & 5-7 represent the unclaimed boundary of the design while the broken lines showing the remainder of the footwear outsole and boot throughout the views, illustrate the portions of the design that form no part of the claim.

1 Claim, 5 Drawing Sheets



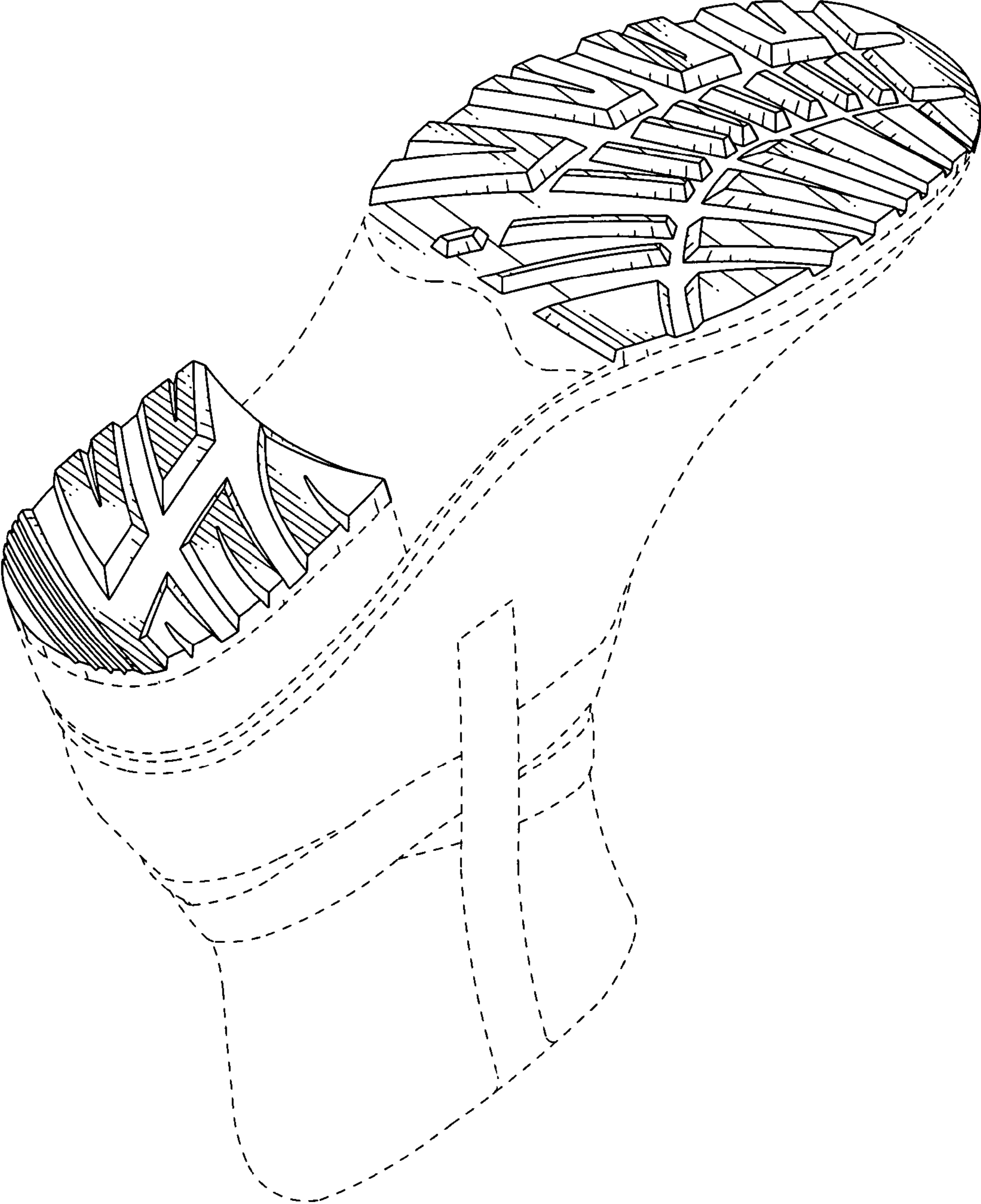


FIG. 1



FIG. 2



FIG. 3

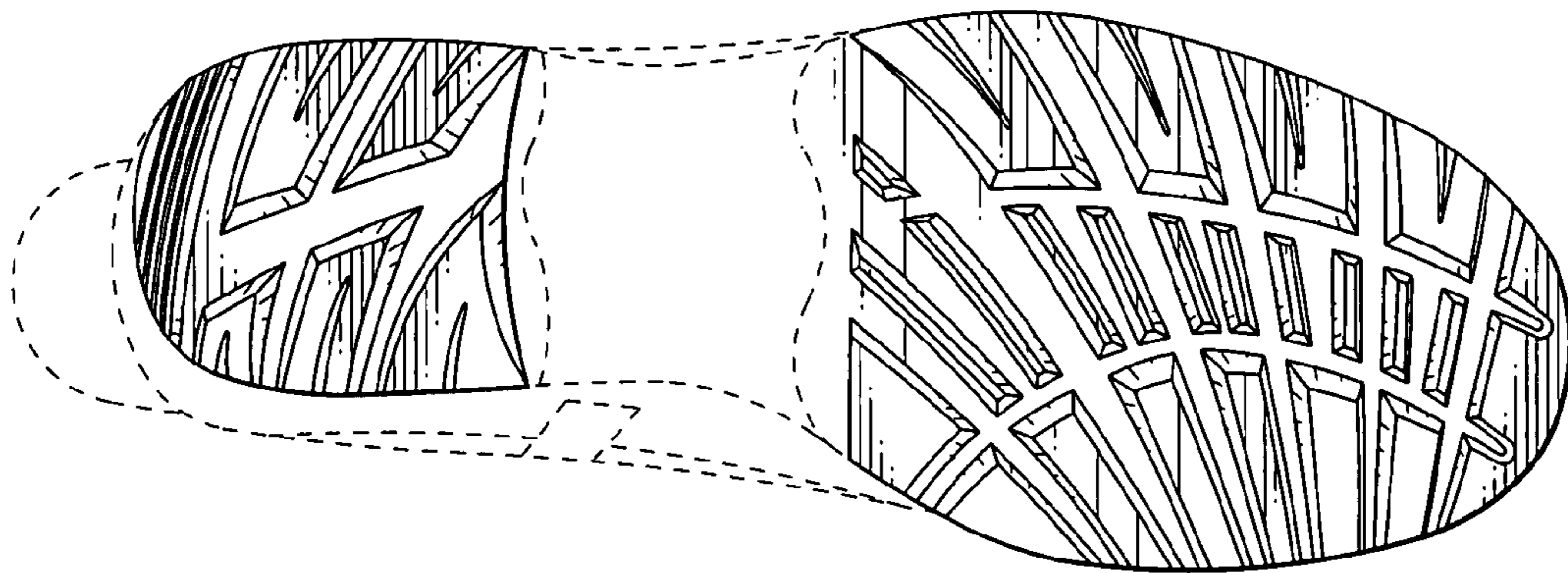


FIG. 4

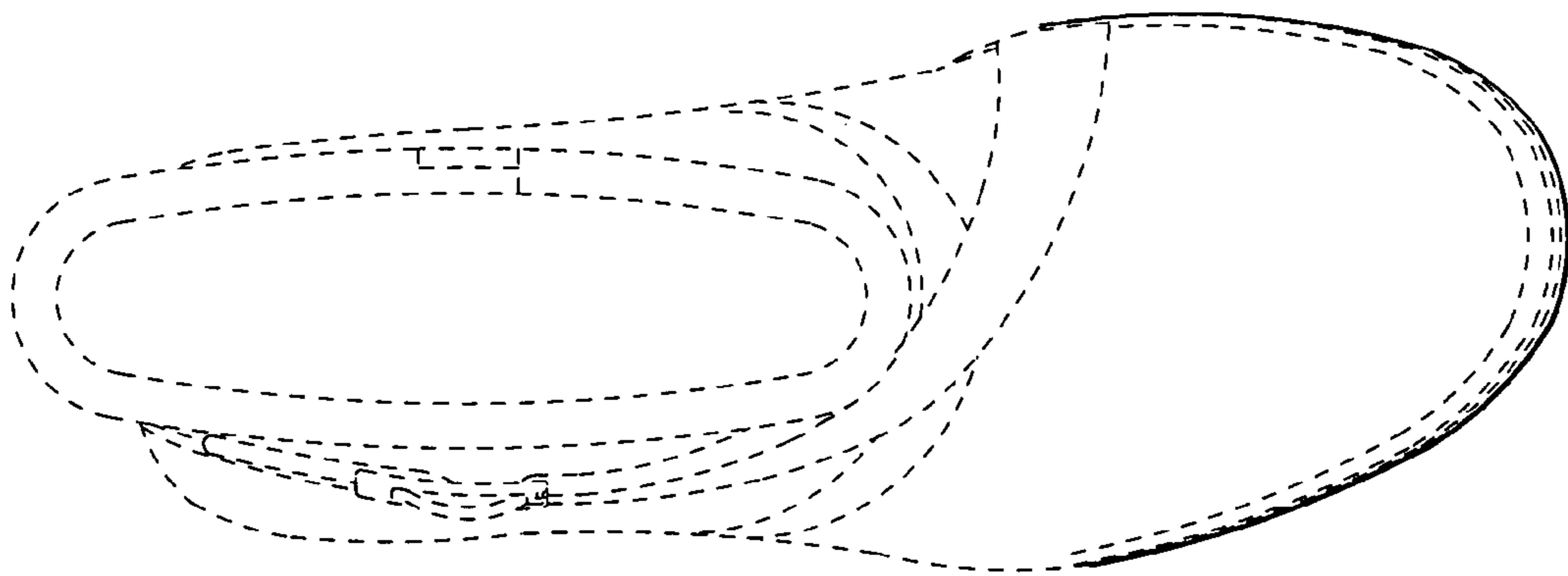


FIG. 5

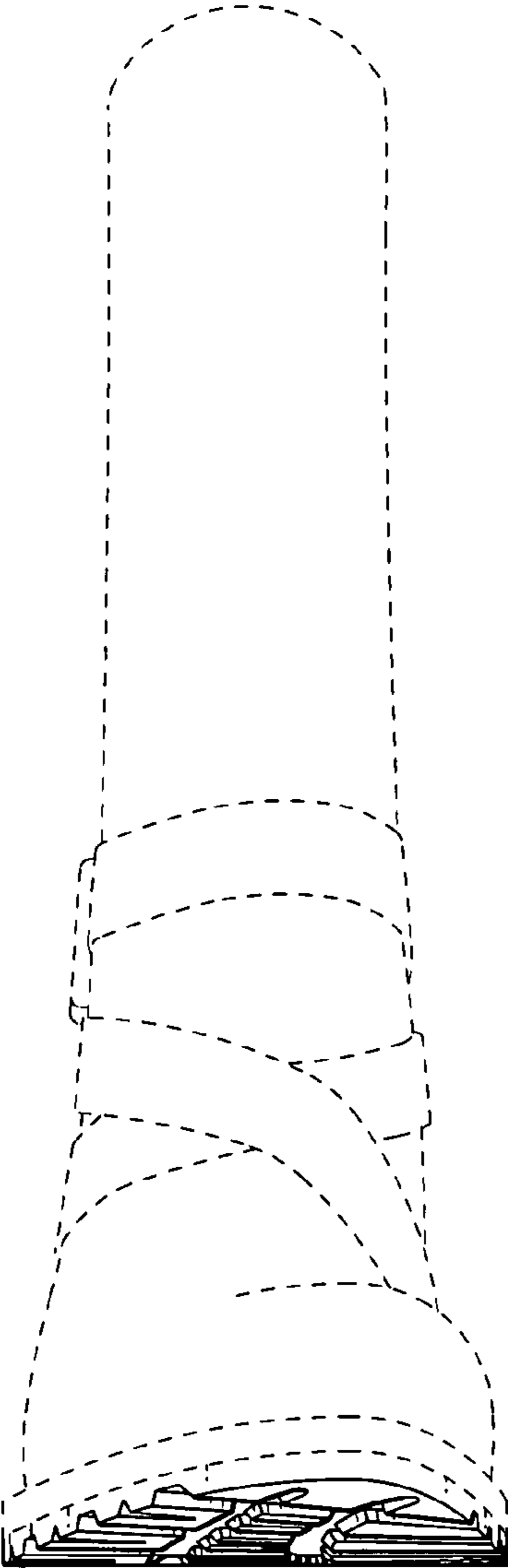


FIG. 6

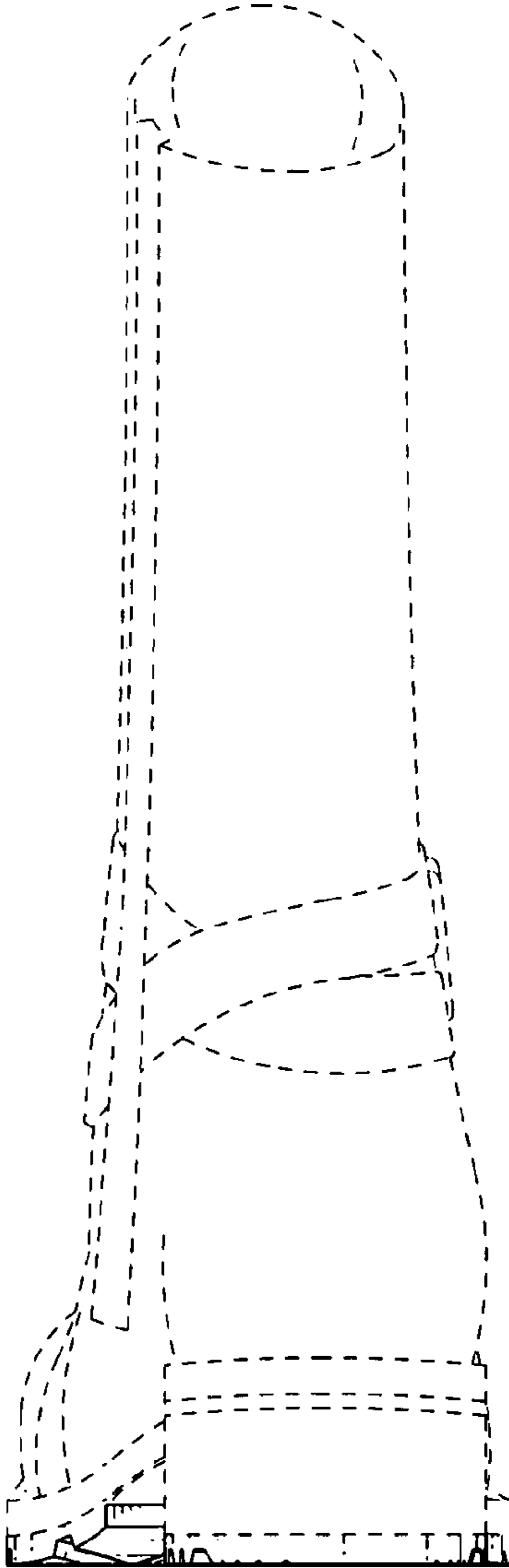


FIG. 7