



US00D569075S

(12) **United States Design Patent**
Ehrbaker

(10) **Patent No.:** **US D569,075 S**

(45) **Date of Patent:** **** May 13, 2008**

(54) **MAILBOX ALERT FLAG**

(76) Inventor: **Jeff Ehrbaker**, 105 Meadow Hill Dr.,
York, PA (US) 17402

(**) Term: **14 Years**

(21) Appl. No.: **29/269,897**

(22) Filed: **Dec. 11, 2006**

(51) **LOC (8) Cl.** **99-00**

(52) **U.S. Cl.** **D99/43**

(58) **Field of Classification Search** D99/25-43,
D99/99; 232/17, 21, 33-35, 39-42, 43.1-43.3,
232/45; D11/165-168, 174, 181-182; D21/708,
D21/718, 733

See application file for complete search history.

(56) **References Cited**

U.S. PATENT DOCUMENTS

1,296,866	A *	3/1919	Skretting	248/539
D122,573	S *	9/1940	McDonald	D21/385
4,372,481	A *	2/1983	Benson	232/34
D287,898	S	1/1987	Carter		
4,697,733	A *	10/1987	Todd	232/34
D313,688	S	1/1991	La Fountain et al.		
5,143,284	A *	9/1992	Socarras	232/21
D350,007	S	8/1994	Ferguson		
5,366,148	A *	11/1994	Schreckengost	232/35
D361,195	S	8/1995	Suta		
D365,910	S	1/1996	King		
5,634,589	A	6/1997	Greene		
5,816,489	A *	10/1998	Stockman	232/35
D446,379	S	8/2001	Taylor		

6,425,521	B1	7/2002	Cooper
D475,172	S	5/2003	Jones
D479,031	S	8/2003	Hostetler
D508,959	S	8/2005	Marchitto
D511,235	S	11/2005	Skolnick et al.
7,028,883	B1	4/2006	Choi

* cited by examiner

Primary Examiner—Robert M. Spear
Assistant Examiner—Susan E Krakower
(74) *Attorney, Agent, or Firm*—Robert C. Montgomery

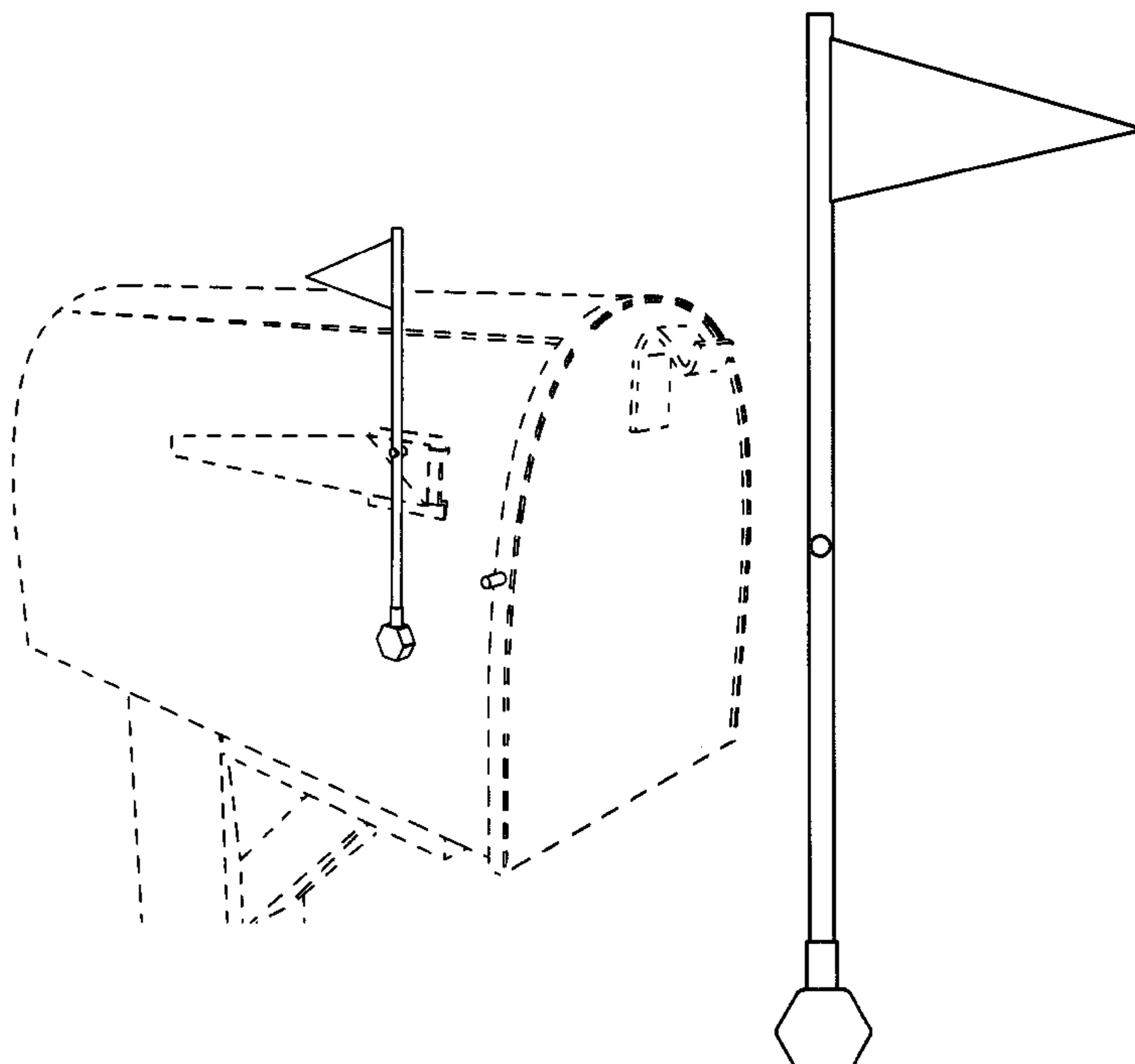
(57) **CLAIM**

The ornamental design for a mailbox alert flag, as shown and described.

DESCRIPTION

FIG. 1 is a perspective view of a mailbox alert flag, as shown on an existing mailbox and in a deployed state;
FIG. 2 is an enlarged top plan view thereof;
FIG. 3 is an enlarged bottom plan view thereof;
FIG. 4 is an enlarged front view thereof;
FIG. 5 is an enlarged rear view thereof;
FIG. 6 is an enlarged side view thereof; and,
FIG. 7 is a perspective view of a mailbox flag, as shown mounted on an existing mailbox and in a resting state.
The broken line showing of a mailbox and post is included for the purpose of illustrating environmental structure and forms no part of the claimed design.

1 Claim, 5 Drawing Sheets



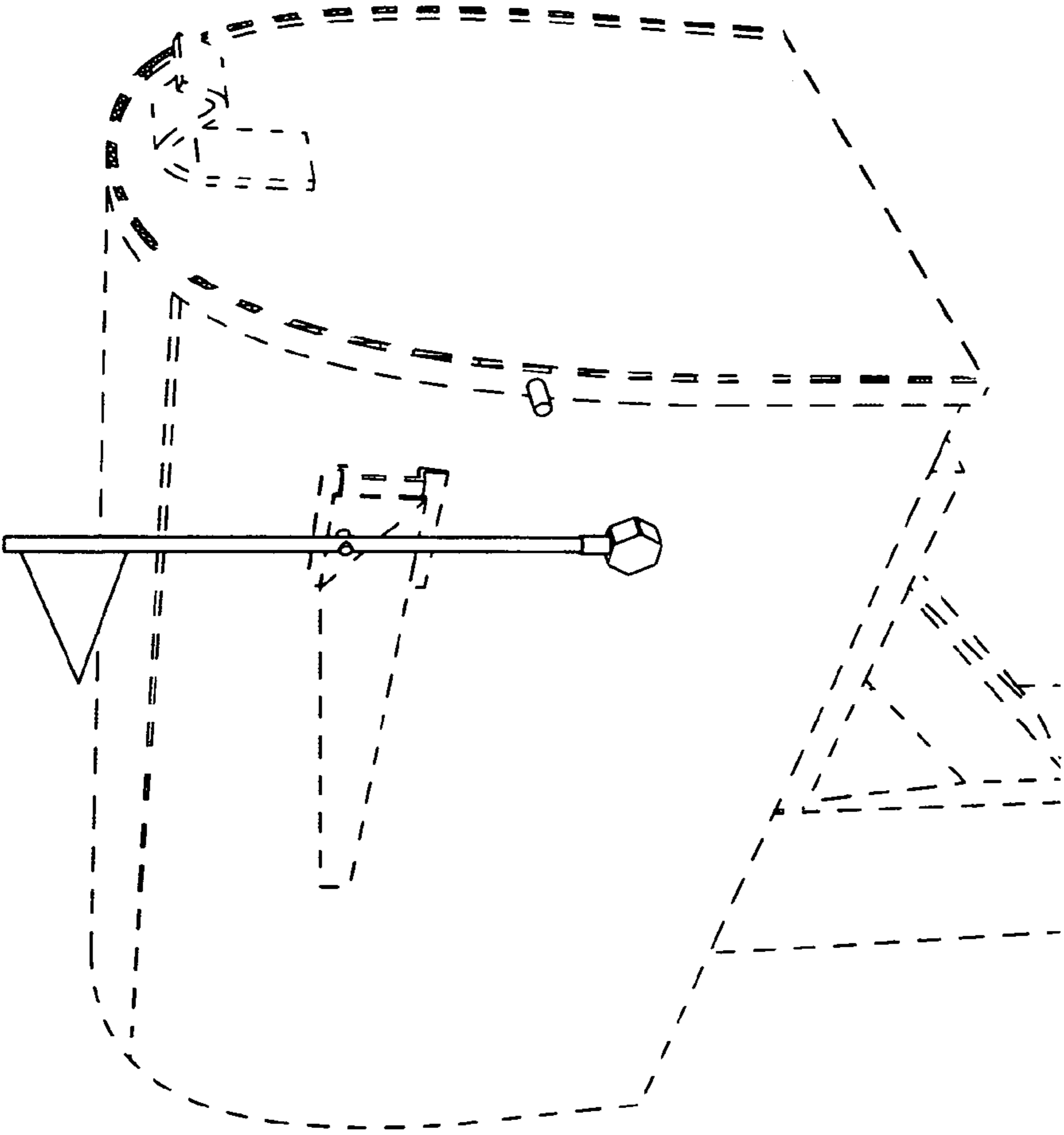


FIG. 1

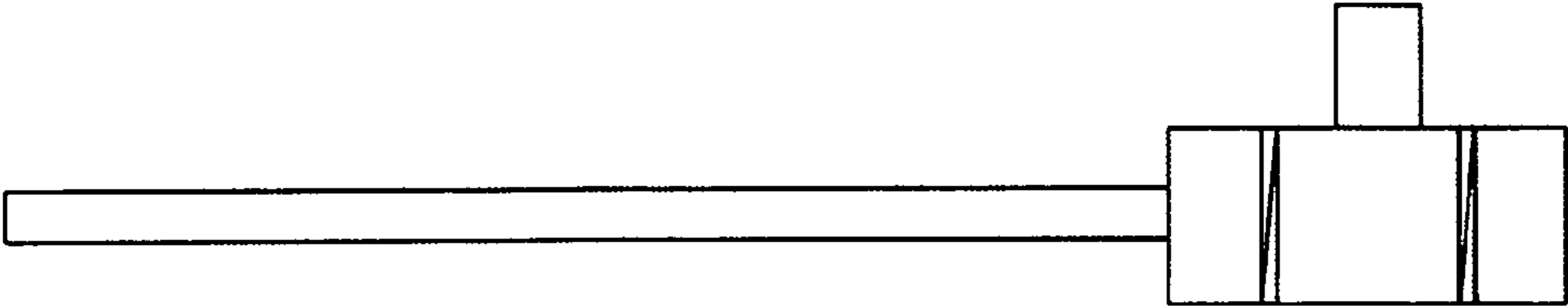


FIG. 3

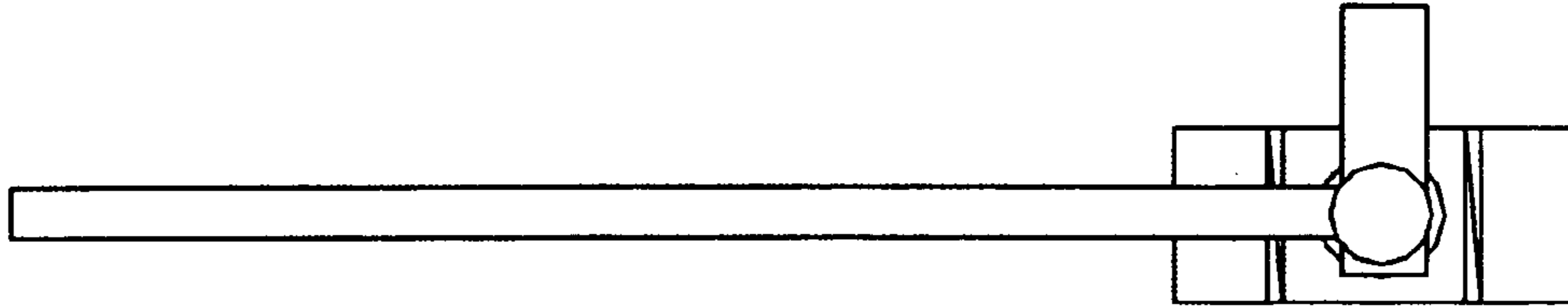


FIG. 2

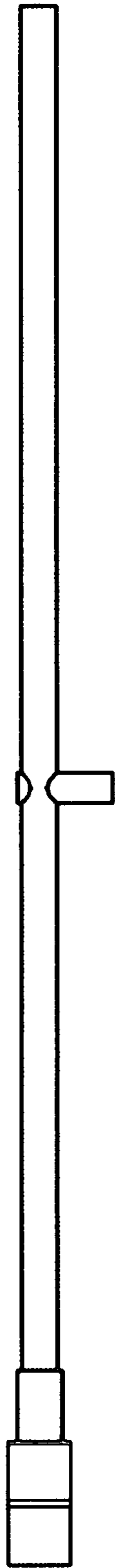


FIG. 4

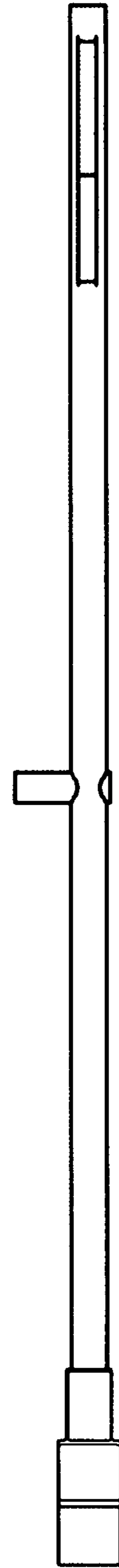


FIG. 5

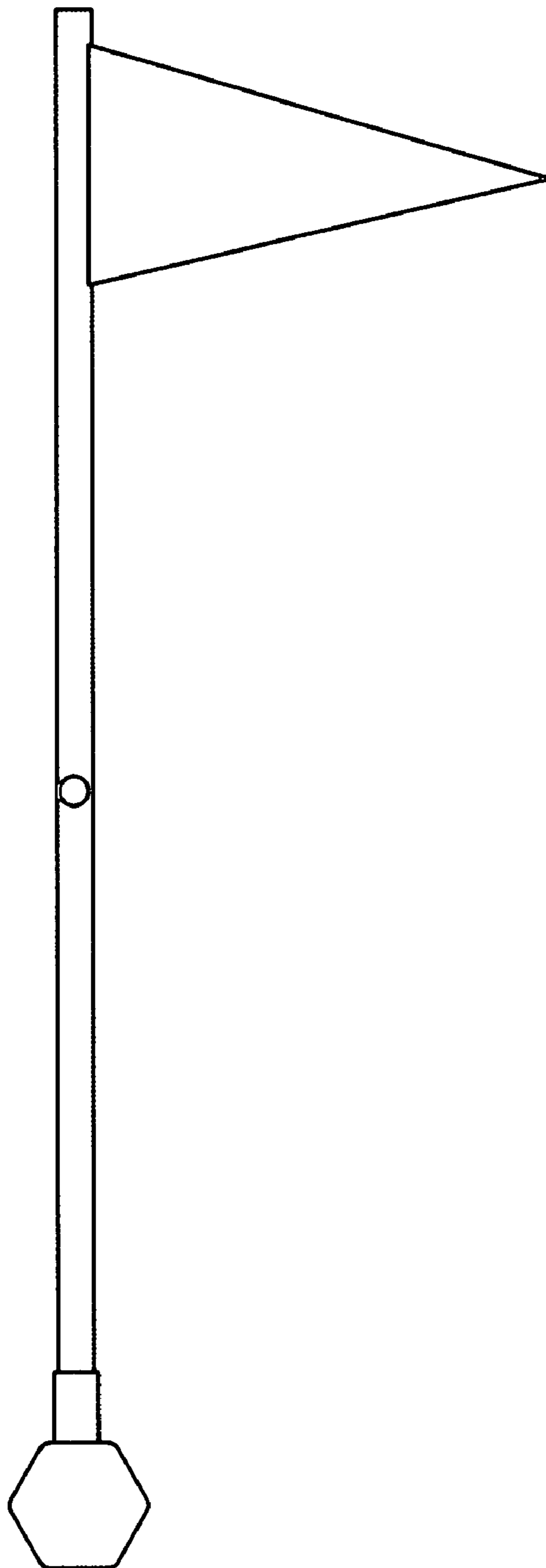


FIG. 6

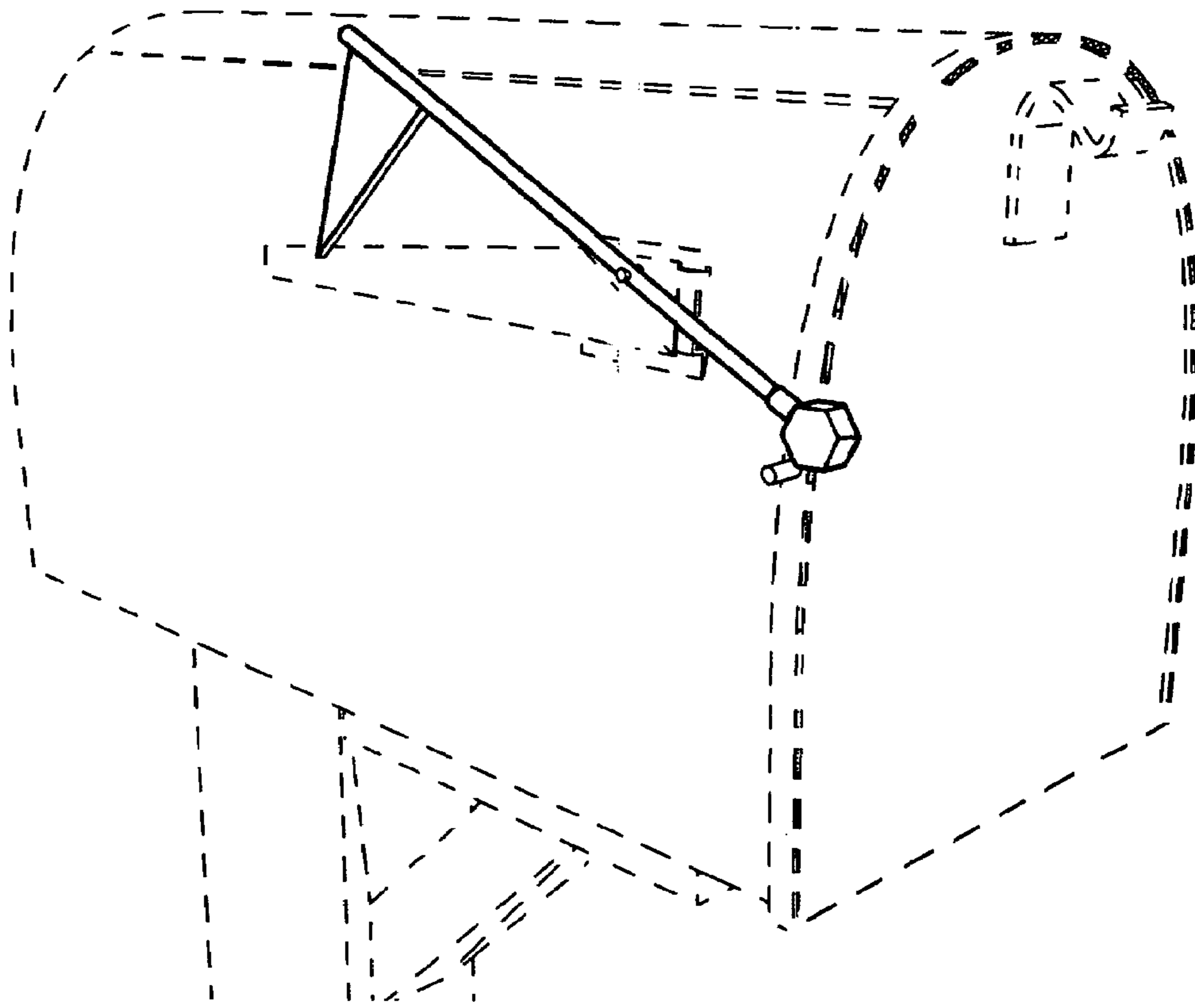


FIG. 7