



US00D569074S

(12) **United States Design Patent**  
**Irwin et al.**

(10) **Patent No.:** **US D569,074 S**  
(45) **Date of Patent:** **\*\* May 13, 2008**

(54) **PACKAGE COLLECTION DEVICE**

(75) Inventors: **Donald E. Irwin**, Fredericksburg, VA (US); **Karen F. Key**, Haymarket, VA (US)

(73) Assignee: **United States Postal Service**, Washington, DC (US)

(\*\*) Term: **14 Years**

(21) Appl. No.: **29/224,764**

(22) Filed: **Mar. 8, 2005**

(51) **LOC (8) Cl.** ..... **99-00**

(52) **U.S. Cl.** ..... **D99/29**

(58) **Field of Classification Search** ..... D99/28, D99/29, 30, 31, 32, 35; D20/10; 232/4 R, 232/43.2, 17, 19, 24, 25, 38, 39, 45, 44; 109/46, 109/66; 206/370, 365, 366; 312/333; D32/37  
See application file for complete search history.

(56) **References Cited**

**U.S. PATENT DOCUMENTS**

D195,373 S *	6/1963	Dwyer	.....	D99/28
D200,503 S *	3/1965	Shuman	.....	D32/37
3,799,430 A *	3/1974	Huguenin	.....	232/43.2
3,981,436 A *	9/1976	Neal	.....	232/17
4,715,498 A *	12/1987	Hanifl	.....	206/336
4,890,733 A *	1/1990	Anderson	.....	206/365
5,076,429 A *	12/1991	Patrick et al.	.....	206/370
5,137,212 A *	8/1992	Fiterman et al.	.....	232/43.2
5,178,322 A *	1/1993	Shillington	.....	232/44
D371,883 S *	7/1996	Burt et al.	.....	D99/29
D374,461 S *	10/1996	Greenlee	.....	D20/10
D445,234 S *	7/2001	Isaacs et al.	.....	D99/28

**OTHER PUBLICATIONS**

U.S. Appl. No. 29/210,344, filed Jul. 30, 2004, Daniel A. Wilson, F. Andrew Better, and Edgar T. Bellinger.

\* cited by examiner

*Primary Examiner*—Paula A. Greene

(74) *Attorney, Agent, or Firm*—Finnegan, Henderson, Farabow, Garrett & Dunner, L.L.P.

(57) **CLAIM**

The ornamental design for the package collection device, as shown and described.

**DESCRIPTION**

FIG. 1 is a left-perspective view of a package collection device showing a first embodiment of our new design;

FIG. 2 is a left-side view of the first embodiment of our new design;

FIG. 3 is a right-side view of the first embodiment of our new design;

FIG. 4 is a top view of the first embodiment of our new design, the bottom of the device not being visible during its intended use;

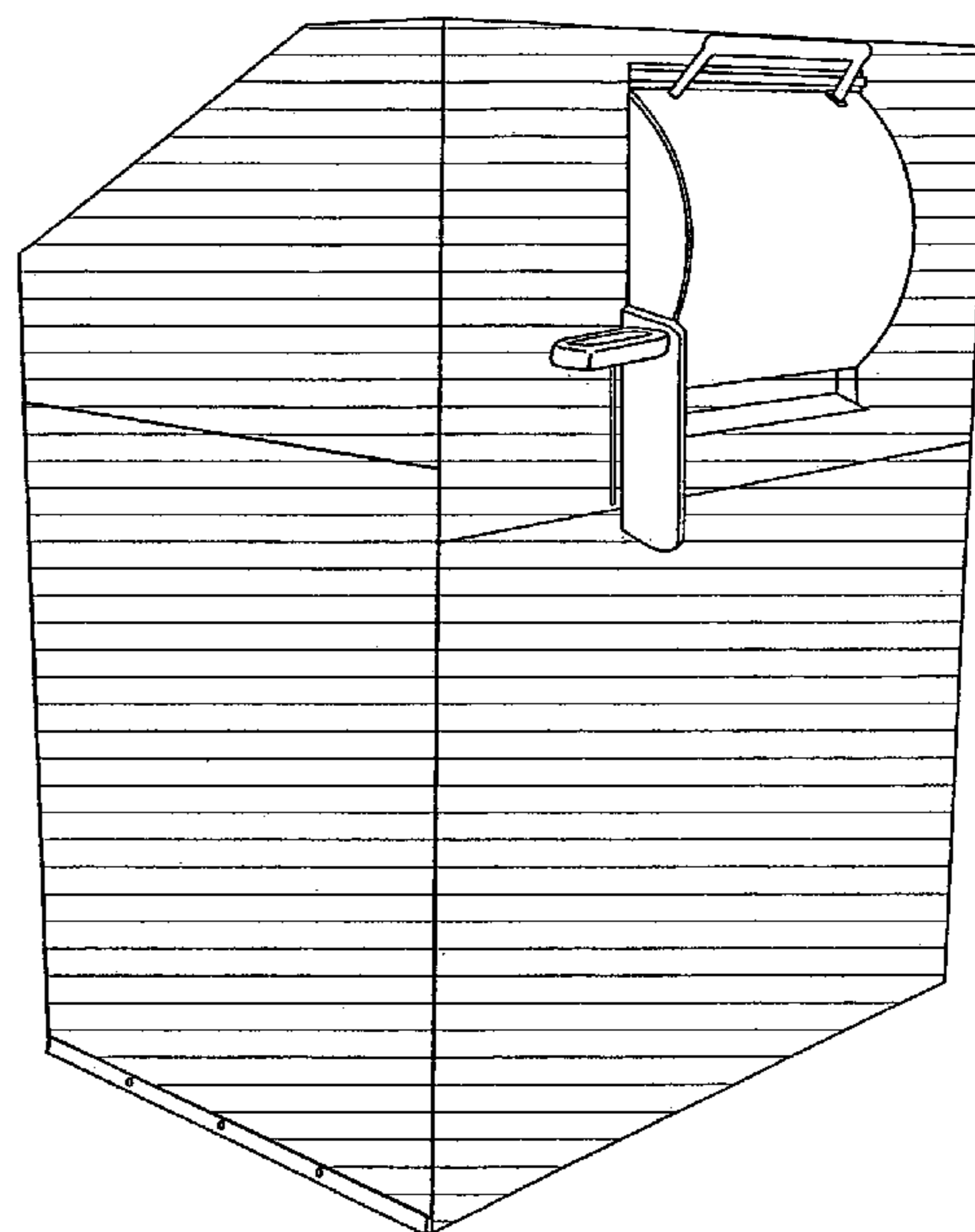
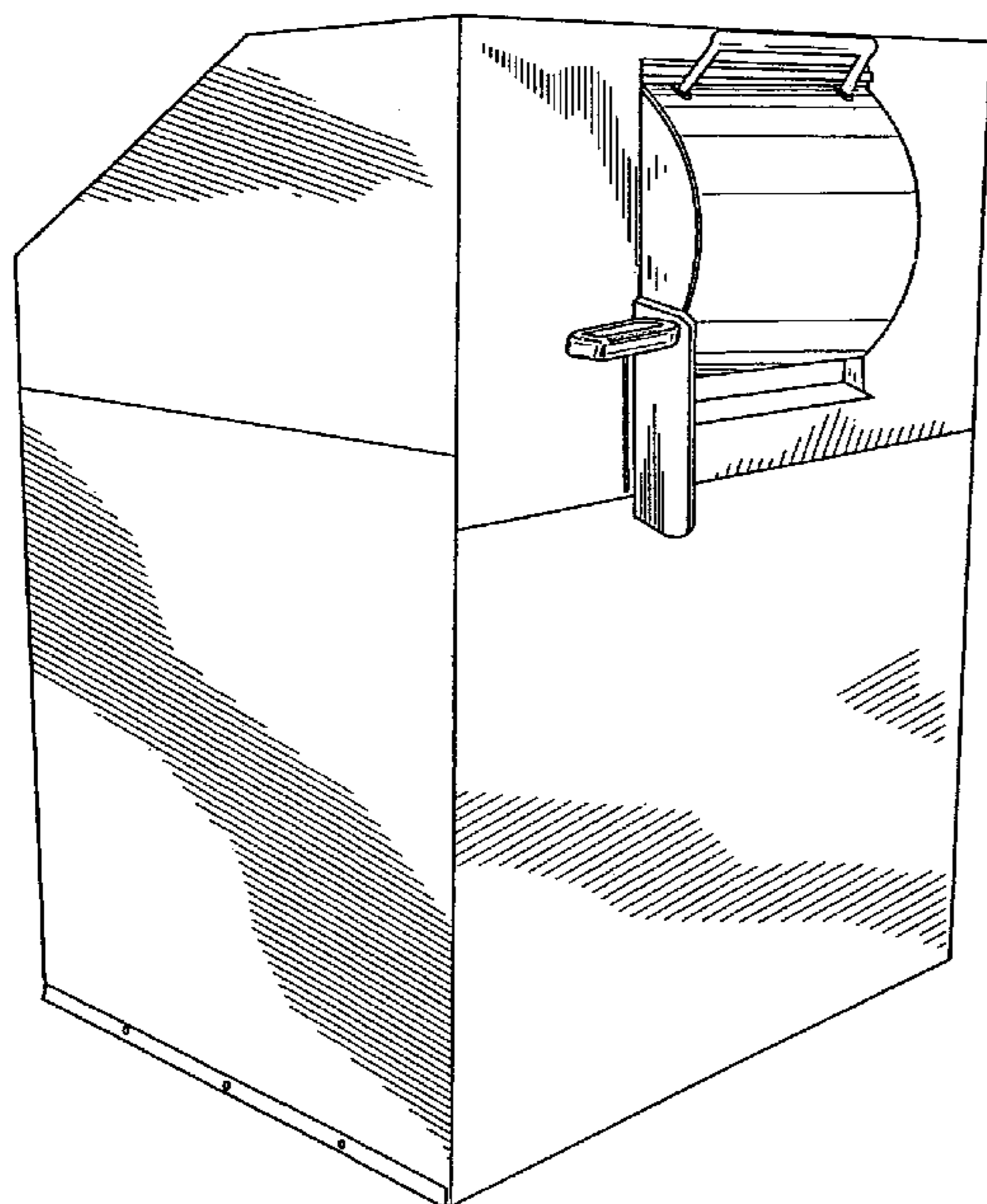
FIG. 5 is a front view of the first embodiment of our new design;

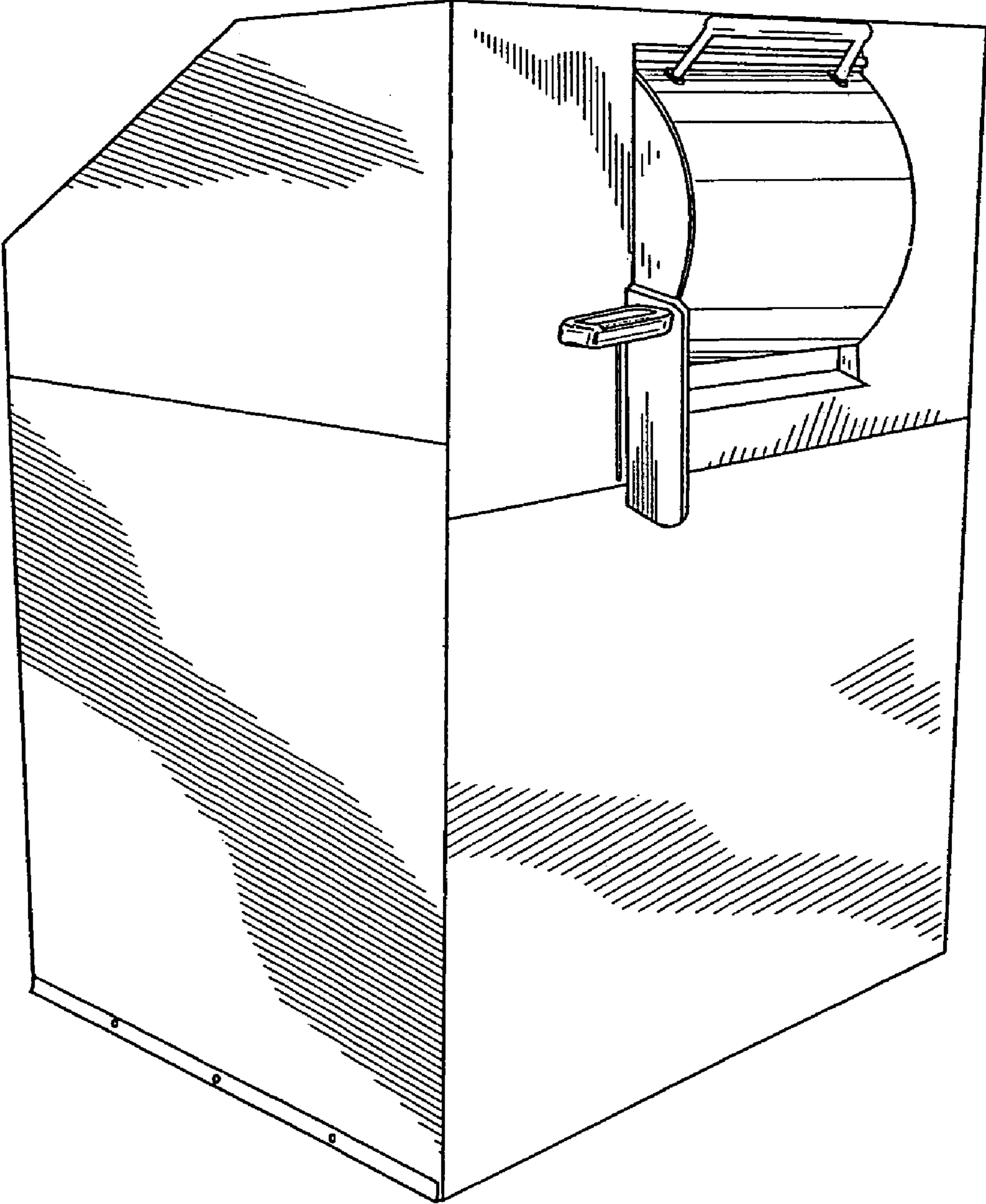
FIG. 6 is a rear view of the first embodiment of our new design; and,

FIG. 7 is a left perspective view of a second embodiment of a package collection device, the only difference being the color blue.

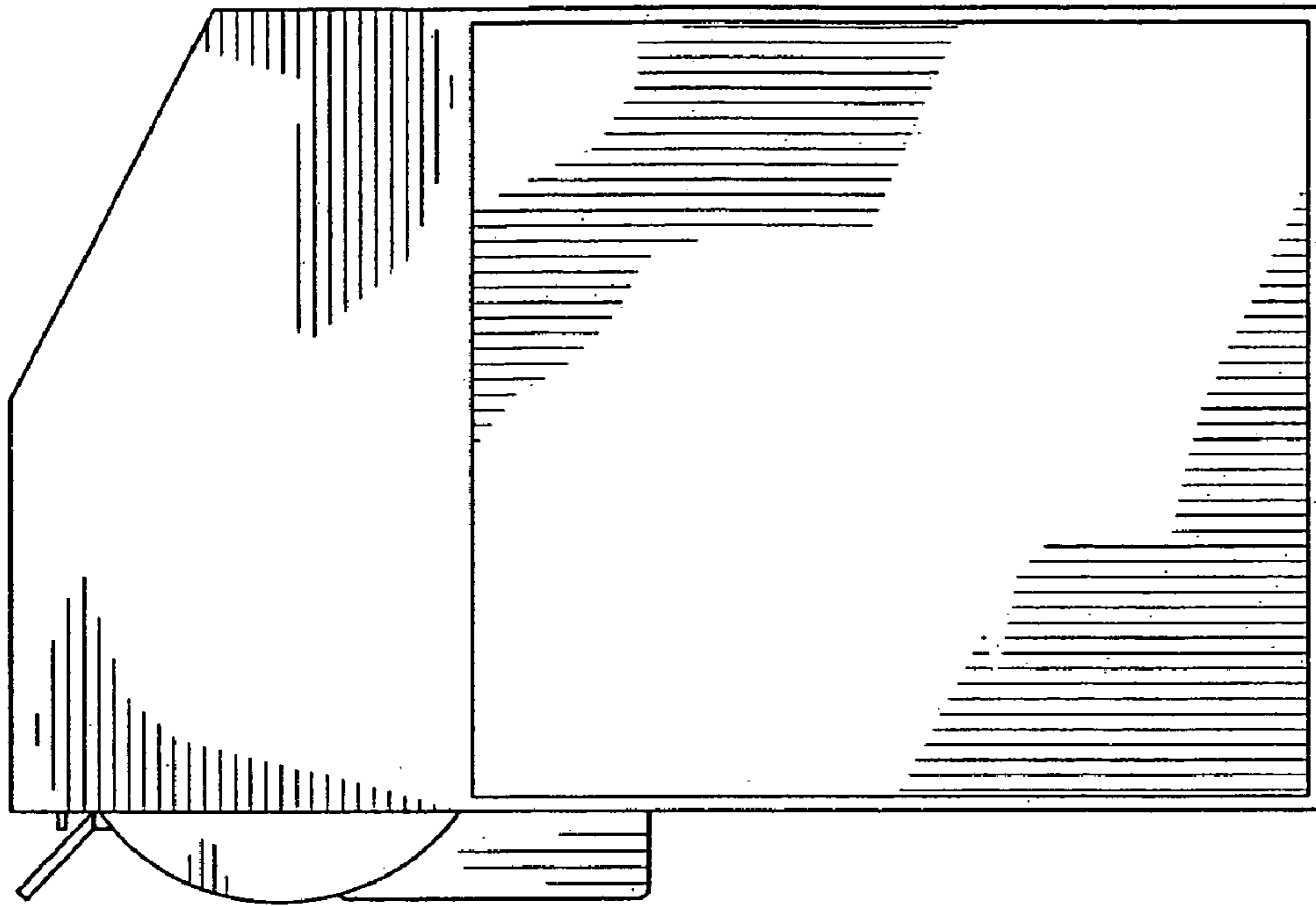
The drawing of FIG. 7 is lined for color, specifically the color blue.

**1 Claim, 5 Drawing Sheets**

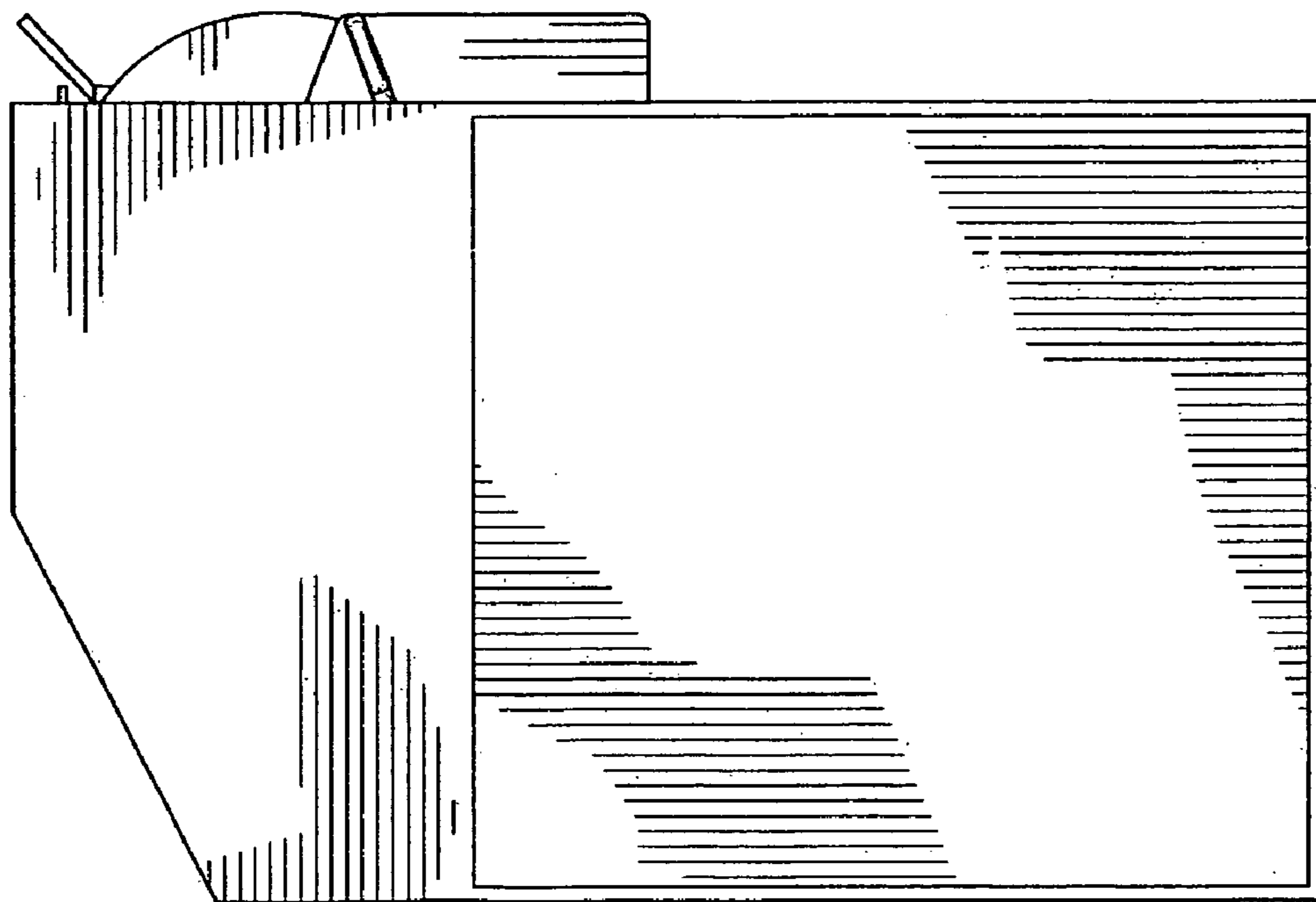




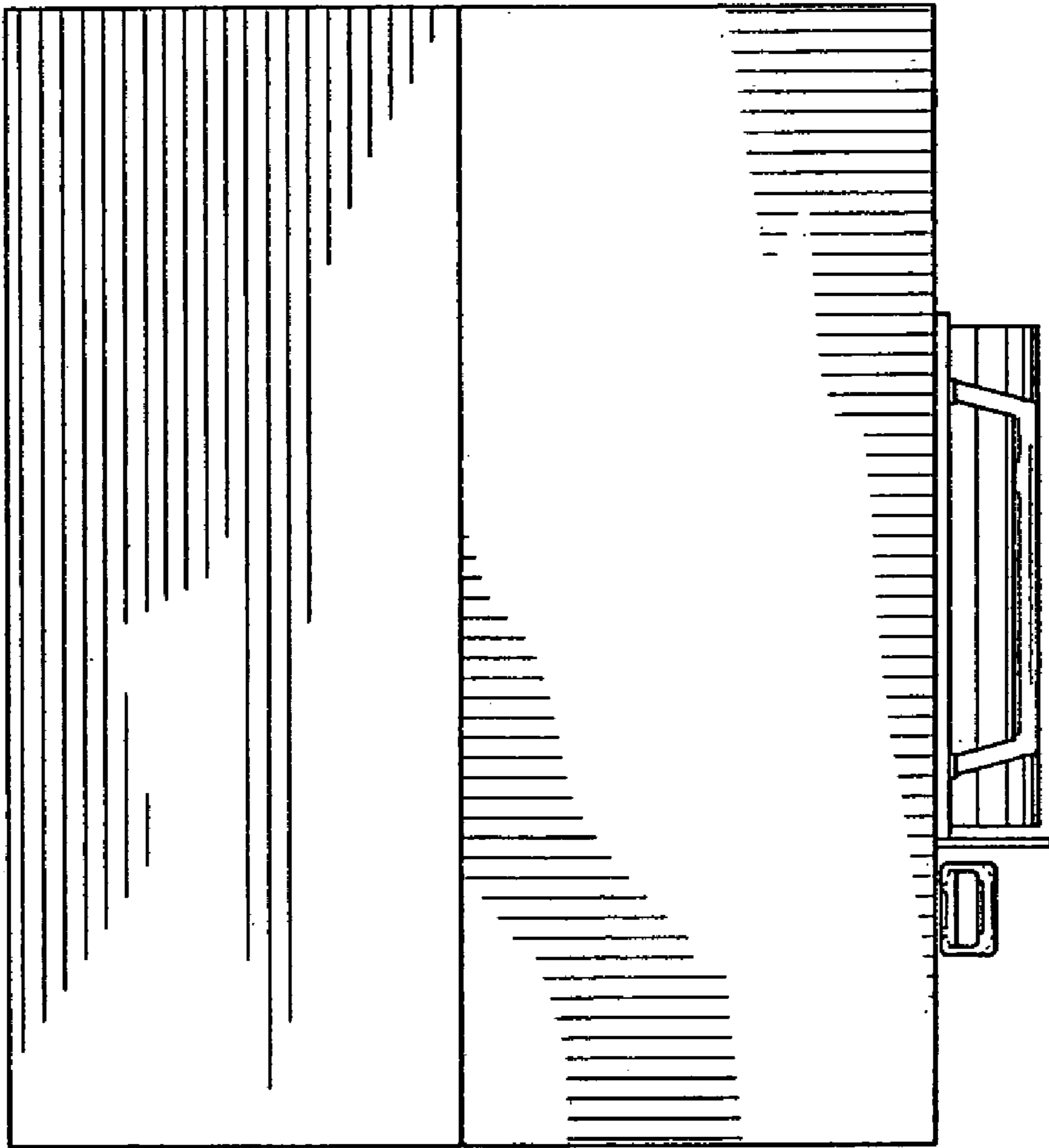
**FIG. 1**



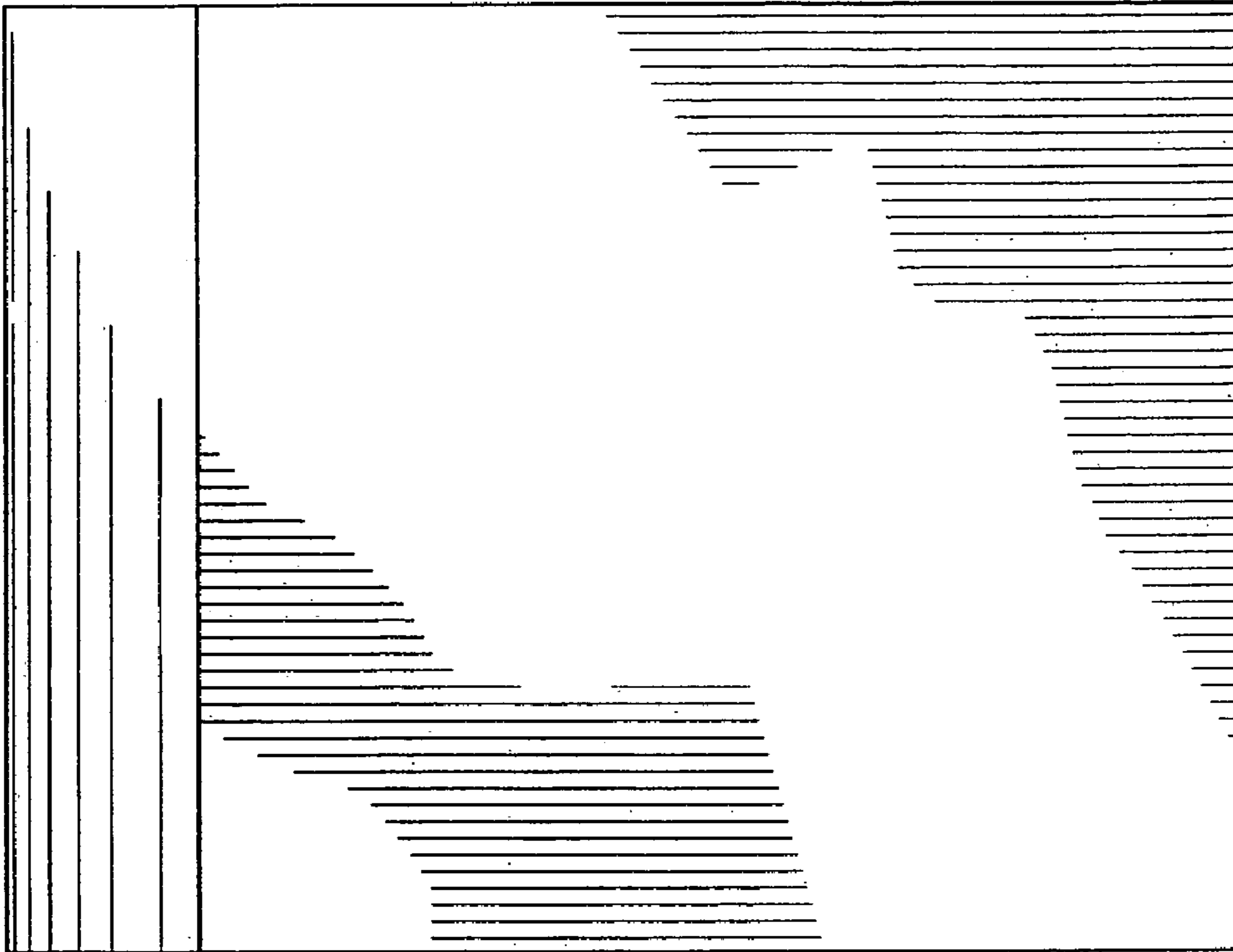
**FIG. 3**



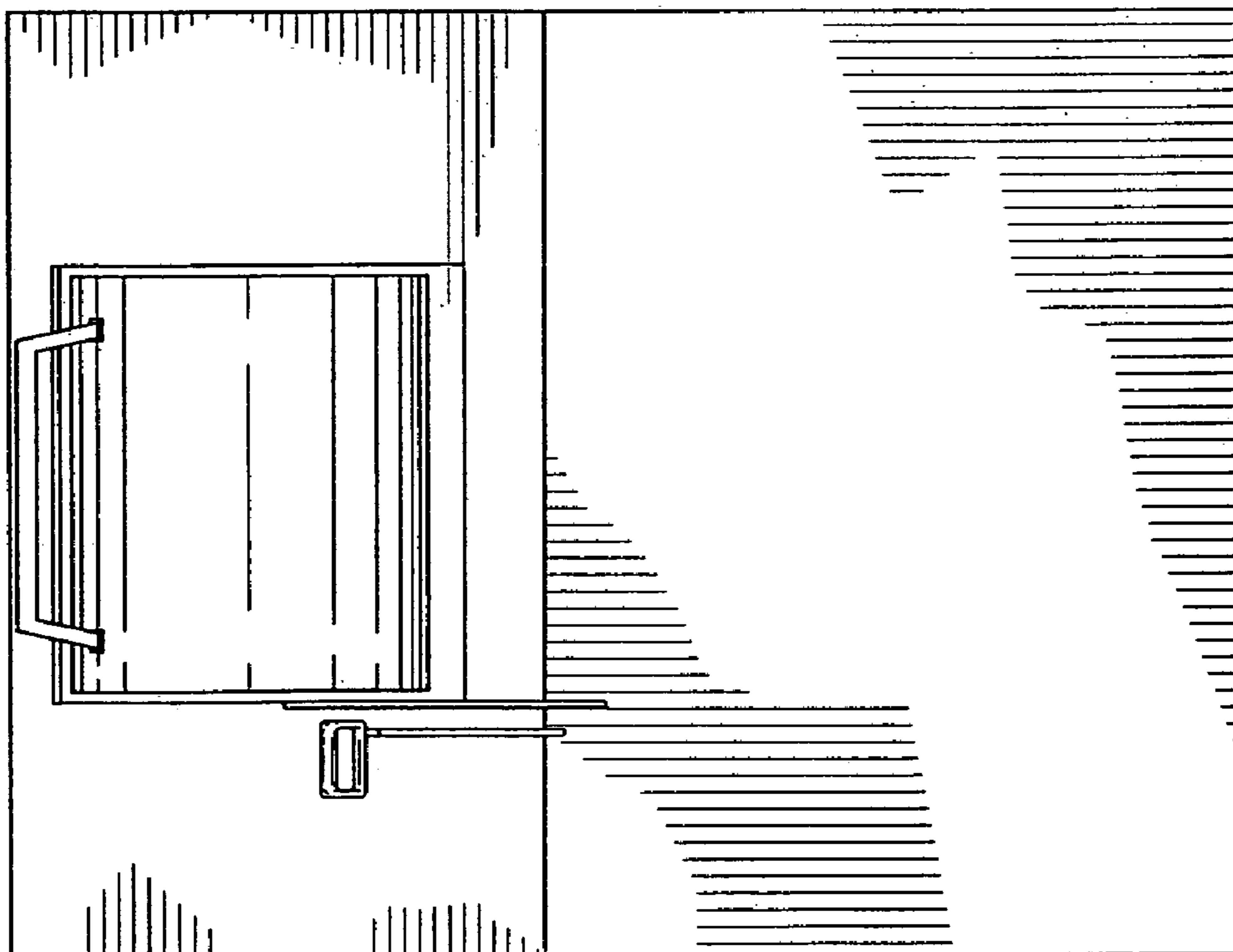
**FIG. 2**



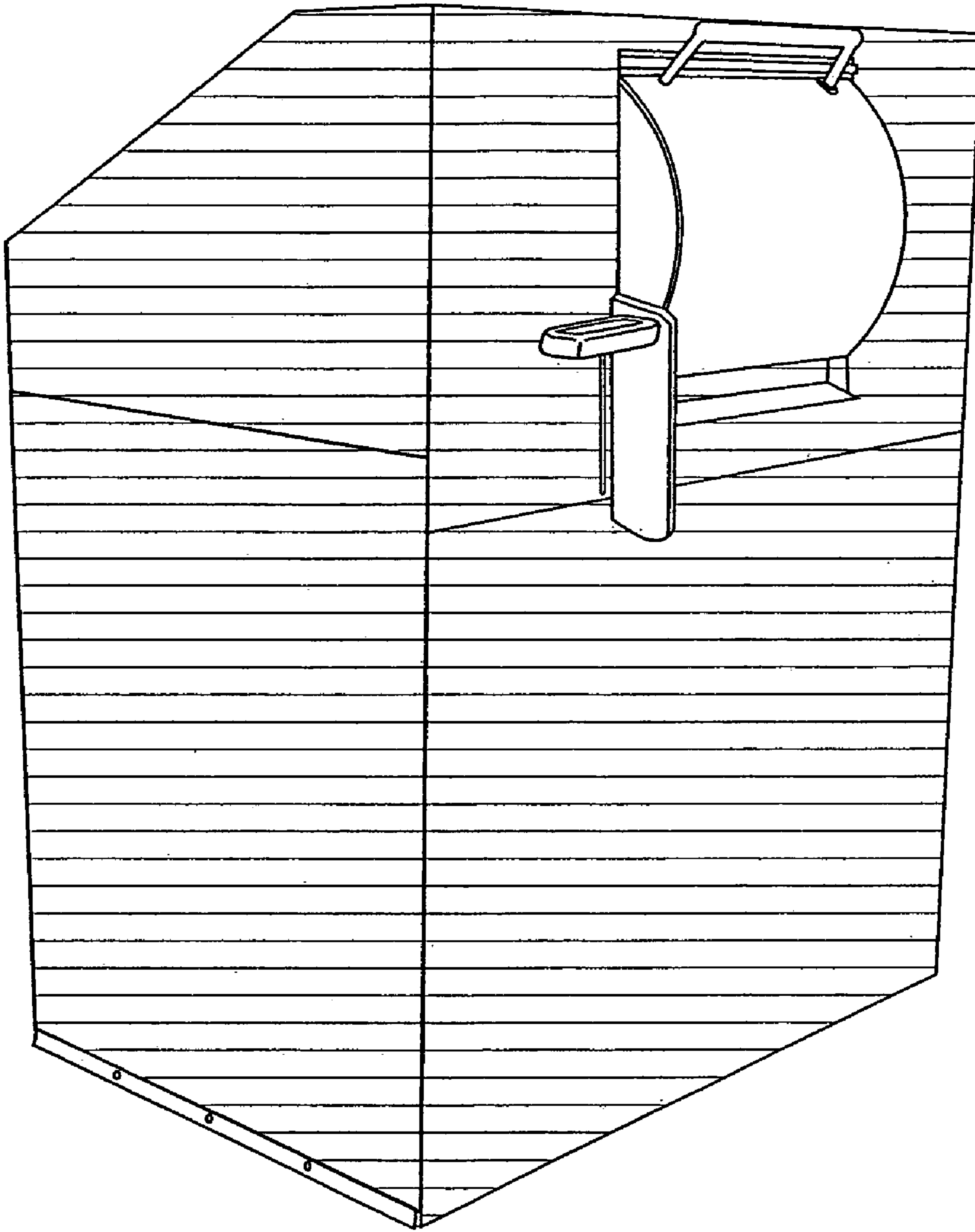
**FIG. 4**



**FIG. 6**



**FIG. 5**



**FIG. 7**