

US00D569073S

(12) **United States Design Patent**
Osiecki et al.

(10) **Patent No.:** **US D569,073 S**

(45) **Date of Patent:** **** May 13, 2008**

(54) **BLOW MOLDED FIRE RESISTANT SAFE**

(75) Inventors: **Scott W. Osiecki**, Skaneateles, NY
(US); **Peter Castellucci**, Syracuse, NY
(US)

(73) Assignee: **John D. Brush & Co., Inc.**, Rochester,
NY (US)

(**) Term: **14 Years**

(21) Appl. No.: **29/283,712**

(22) Filed: **Aug. 21, 2007**

(51) **LOC (8) Cl.** **06-04**

(52) **U.S. Cl.** **D99/28**

(58) **Field of Classification Search** D99/28,
D99/34-43, 99; D18/3.1-3.3; D14/385,
D14/448, 173, 307, 901, 146, 144, 151; 235/375-381;
705/35, 43; 109/2, 24.1, 50, 53, 66, 83;
106/644; 52/659, 73; 902/8, 21, 30; 340/5.41;
348/150; D20/1, 2; D25/16; 361/681, 683,
361/686, 687, 694; D6/573, 634; D3/201,
D3/291, 294, 276, 273

See application file for complete search history.

(56) **References Cited**

U.S. PATENT DOCUMENTS

D3,814 S *	1/1870	McFarland	D99/28
D11,158 S *	4/1879	Field	D3/291
D93,372 S *	9/1934	Zacher	D20/1
D121,362 S *	7/1940	Binks	D99/28
D268,063 S *	2/1983	Chase	D99/28
D281,921 S *	12/1985	Losi	D99/28
D289,582 S *	5/1987	Brush et al.	D3/281
D291,139 S *	7/1987	Warwicker	D99/28
D293,279 S *	12/1987	Evans	D6/634
D302,491 S *	8/1989	Brush et al.	D3/294
5,069,358 A *	12/1991	Avery, Jr.	220/560.01
D335,378 S *	5/1993	Mariol	D99/28
5,377,514 A *	1/1995	Robbins et al.	70/452

D356,891 S *	4/1995	Hobson	D3/294
D372,360 S *	8/1996	Burns et al.	D3/273
D445,234 S *	7/2001	Isaacs et al.	D99/28
D446,011 S *	8/2001	Ogilvie et al.	D3/273
D465,330 S *	11/2002	Parker	D3/273
D474,596 S *	5/2003	Osiecki et al.	D3/273
D489,158 S *	4/2004	Magee et al.	D99/28
D528,735 S *	9/2006	Osiecki et al.	D99/43

* cited by examiner

Primary Examiner—Robert M. Spear

Assistant Examiner—Susan E Krakower

(74) *Attorney, Agent, or Firm*—Jaeckle Fleischmann & Mugel, LLP

(57) **CLAIM**

The ornamental design for a blow molded fire resistant safe, as shown and described.

DESCRIPTION

FIG. 1 is a right front perspective view of a blow molded fire resistant safe according to the present invention;

FIG. 2 is a front view of the blow molded fire resistant safe shown in FIG. 1;

FIG. 3 is a left side view of the blow molded fire resistant safe shown in FIG. 1;

FIG. 4 is a right side view of the blow molded fire resistant safe shown in FIG. 1;

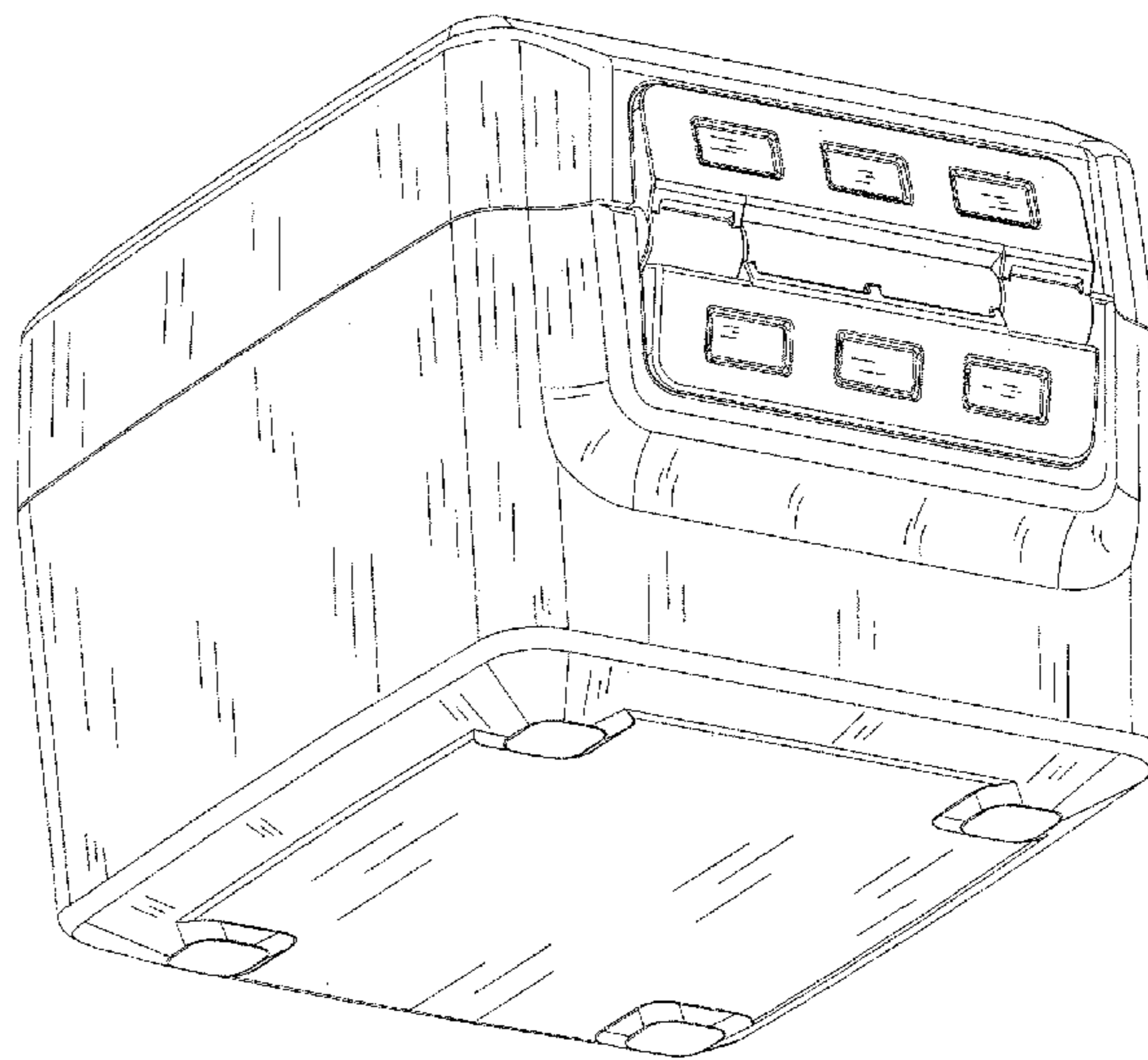
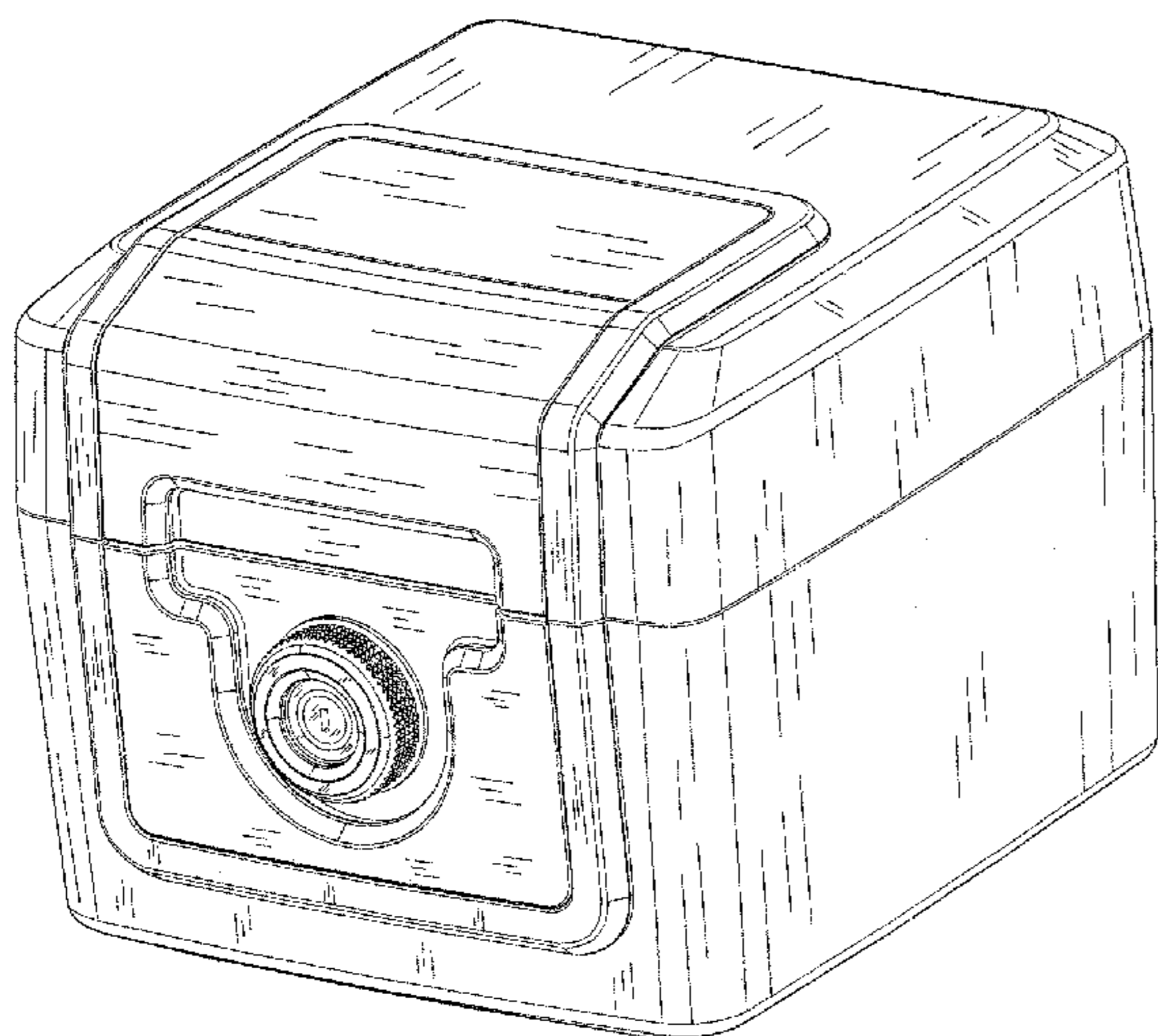
FIG. 5 is a top view of the blow molded fire resistant safe shown in FIG. 1;

FIG. 6 is a bottom view of the blow molded fire resistant safe shown in FIG. 1;

FIG. 7 is a rear view of the blow molded fire resistant safe shown in FIG. 1; and,

FIG. 8 is a left rear perspective view of the blow molded fire resistant safe in FIG. 1.

1 Claim, 8 Drawing Sheets



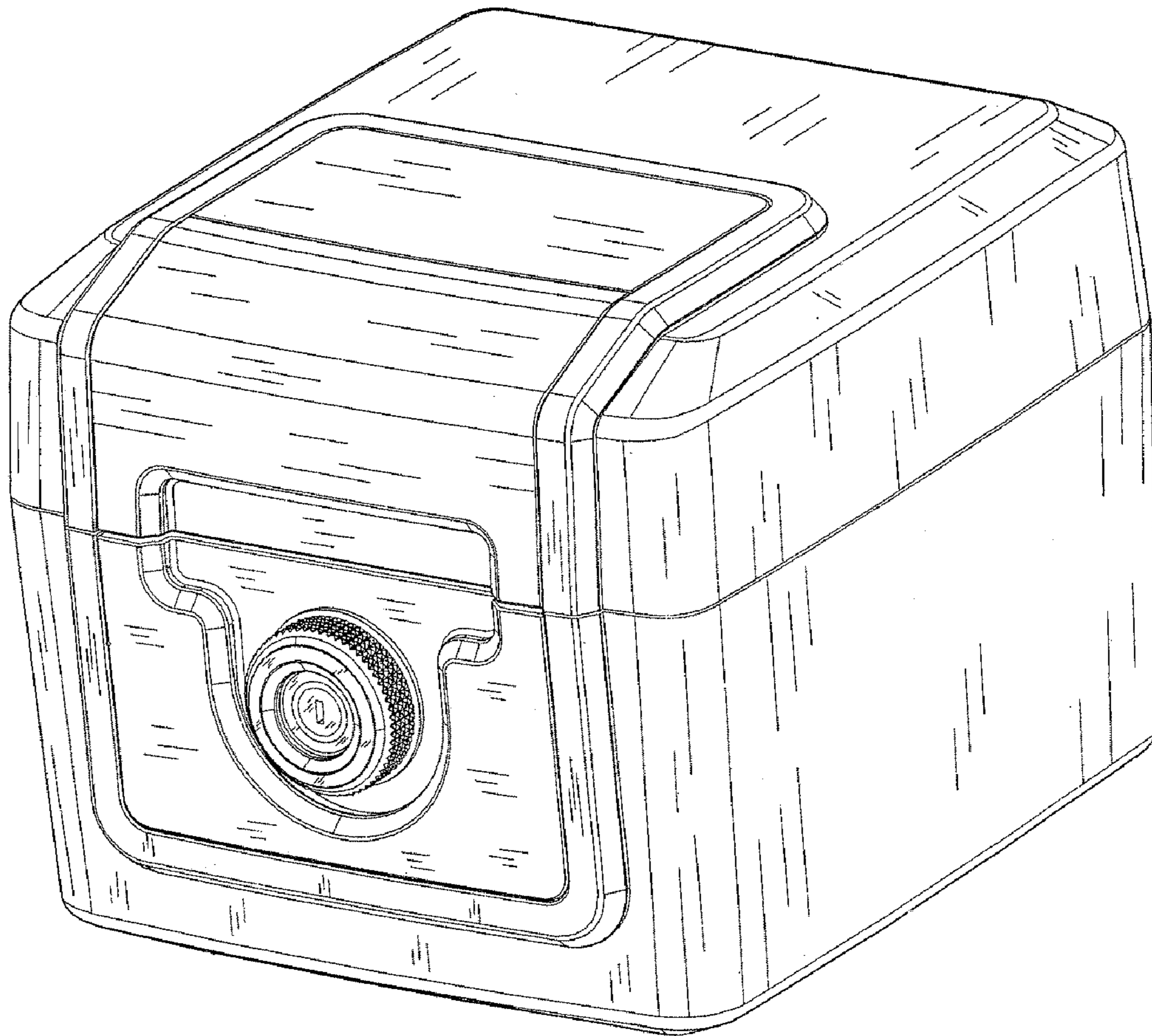


FIG. 1

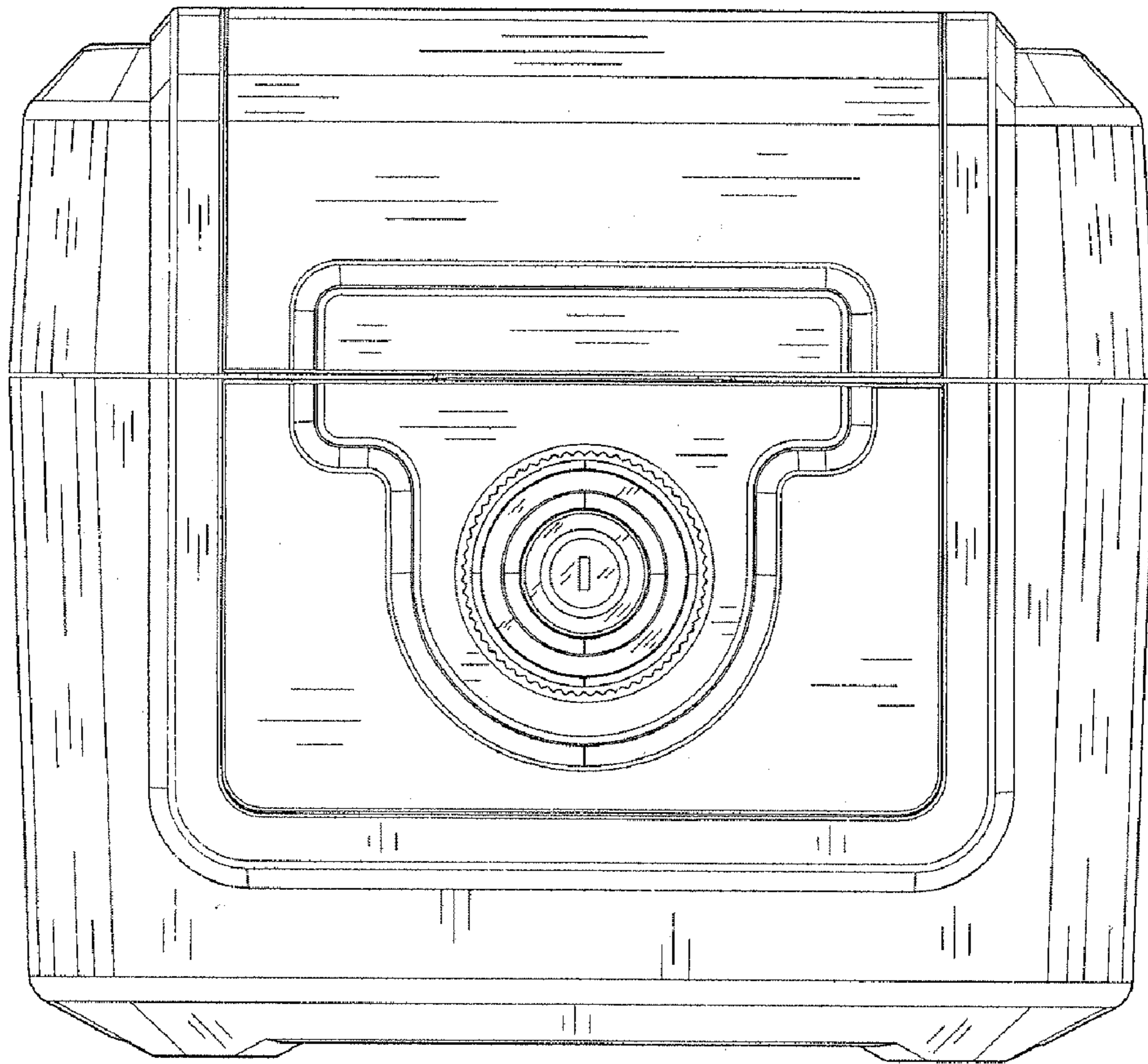


FIG. 2

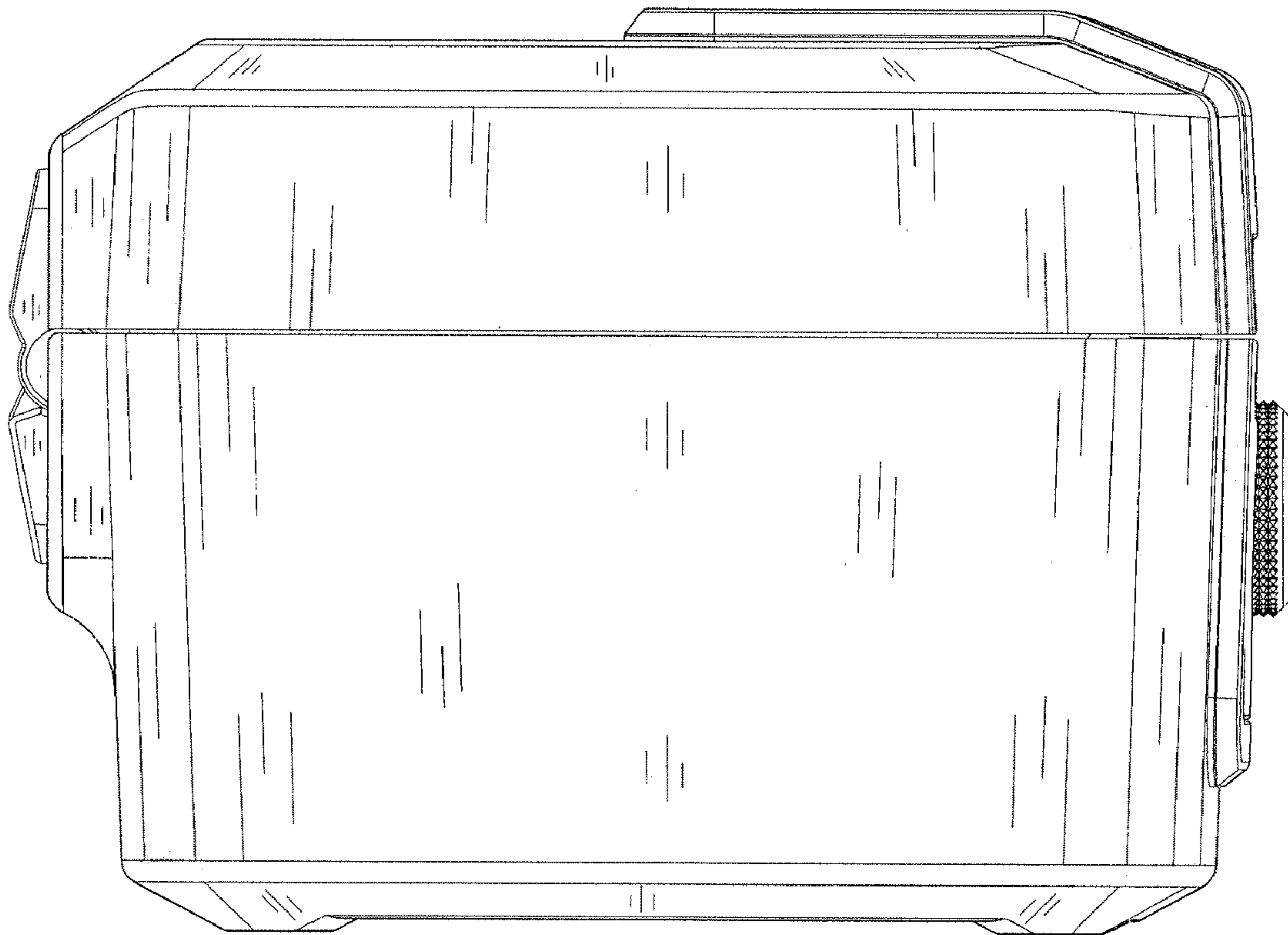


FIG. 3

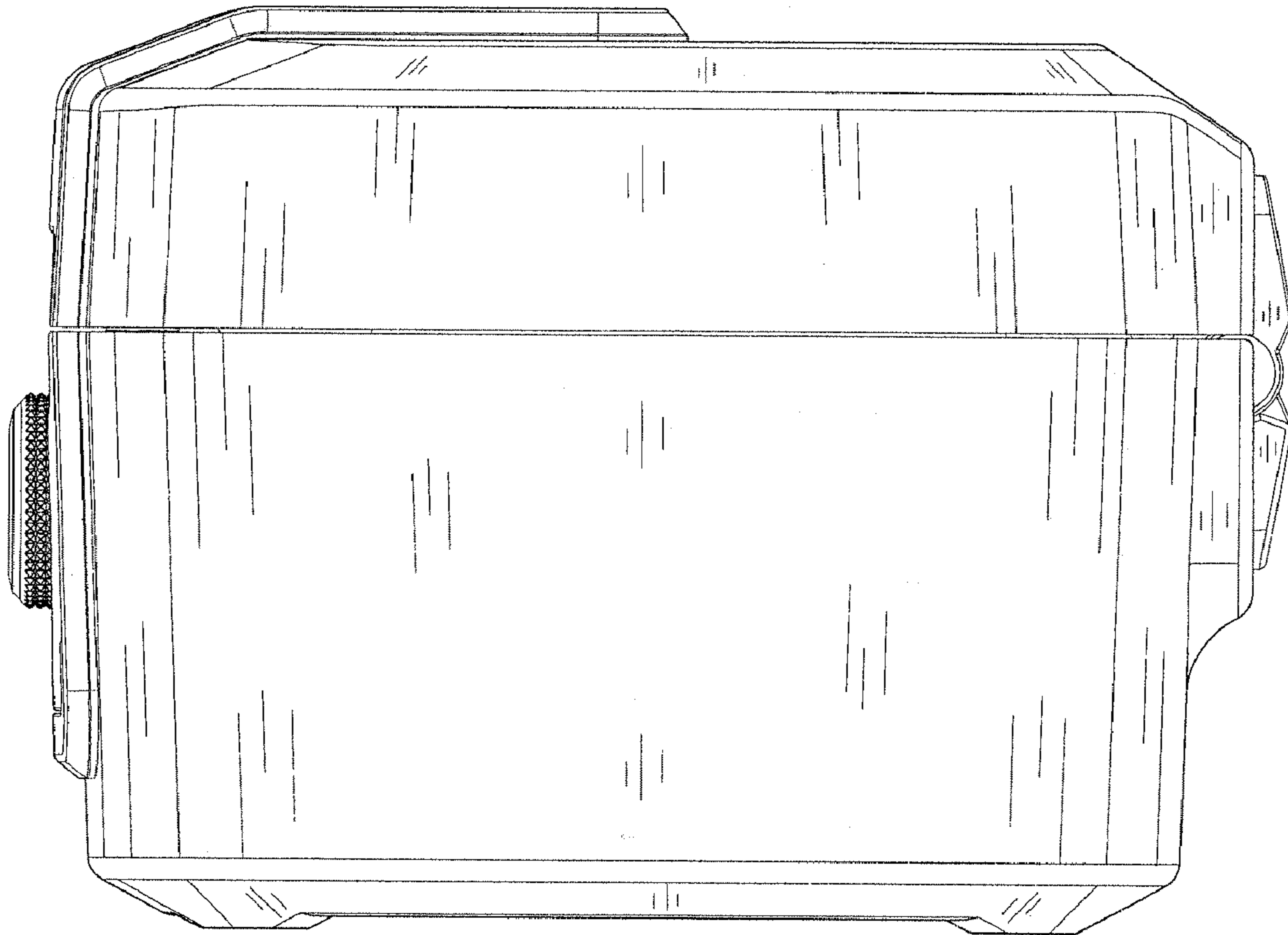


FIG. 4

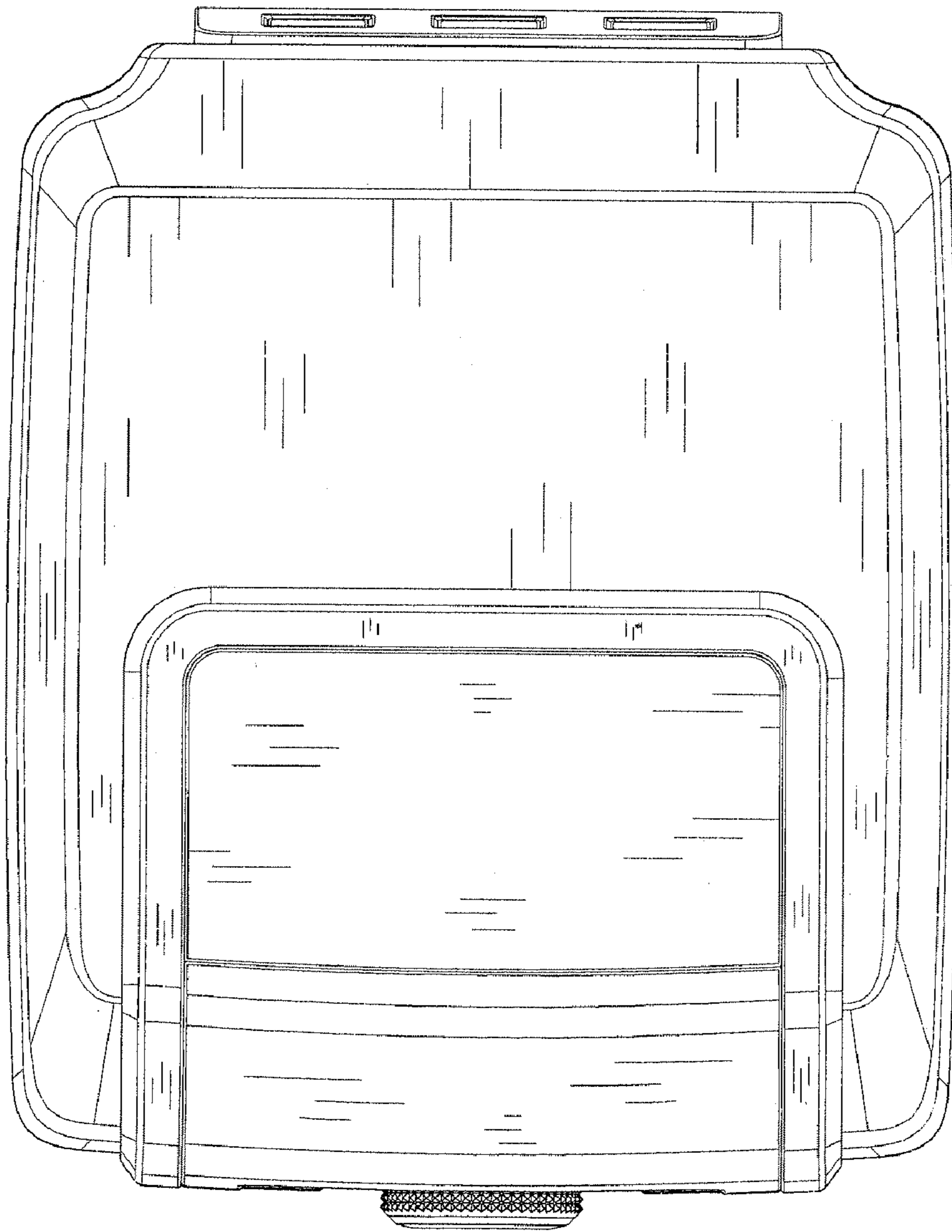


FIG. 5

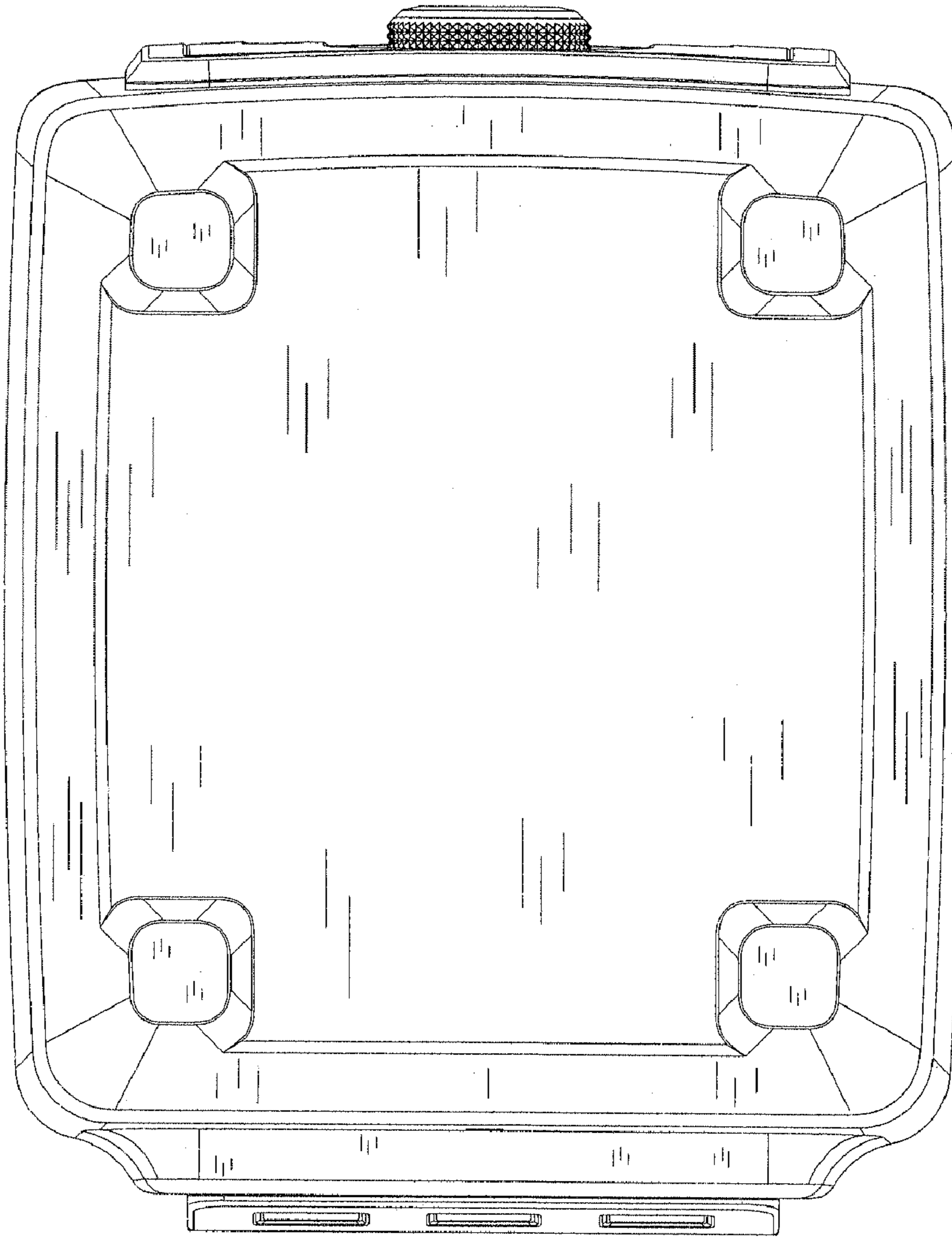


FIG. 6

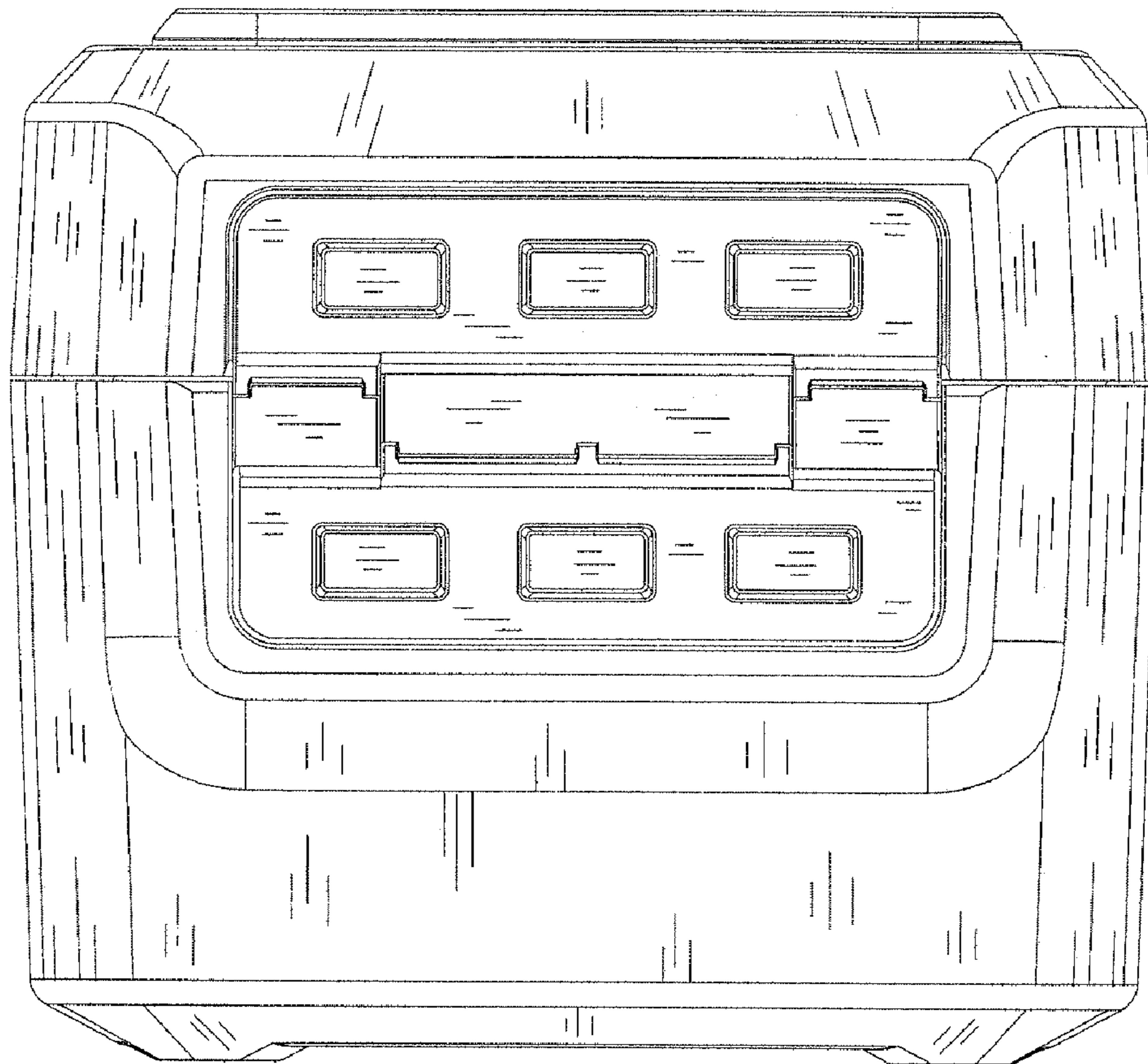


FIG. 7

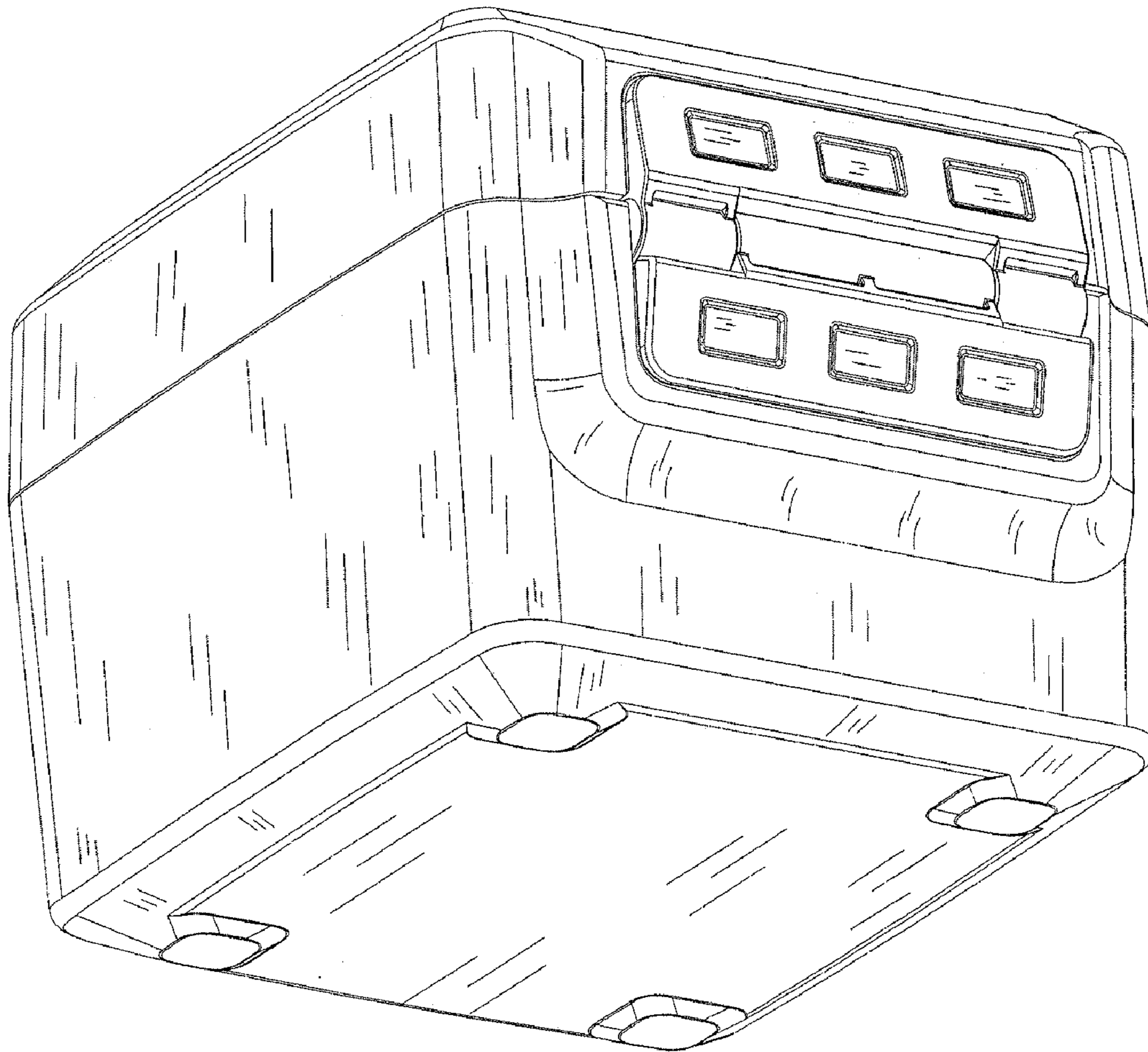


FIG. 8