



US00D569072S

(12) **United States Design Patent**
Osiecki et al.

(10) **Patent No.:** **US D569,072 S**
(45) **Date of Patent:** **** May 13, 2008**

(54) **PROTECTIVE ENCLOSURE FOR AN ELECTRONIC DEVICE**

DESCRIPTION

(75) Inventors: **Scott W. Osiecki**, Skaneateles, NY (US); **Donwoong Kang**, Syracuse, NY (US)

(73) Assignee: **John D. Brush & Co., Inc.**, Rochester, NY (US)

(**) Term: **14 Years**

(21) Appl. No.: **29/283,702**

(22) Filed: **Aug. 21, 2007**

(51) **LOC (8) Cl.** **06-04**

(52) **U.S. Cl.** **D99/28**

(58) **Field of Classification Search** D13/184, D13/199; D14/302, 314, 441; D99/25-43, D99/99; D8/302, 306, 331, 312; 109/59 T; 70/278.1; D6/48; D21/519; 232/43.2, 43.3
See application file for complete search history.

(56) **References Cited**

U.S. PATENT DOCUMENTS

- 4,669,394 A * 6/1987 Fogleman et al. 109/59 T
- D401,915 S * 12/1998 Johnson D14/349
- D478,077 S * 8/2003 Poole et al. D14/349
- 2006/0221580 A1* 10/2006 Bliven et al. 361/727

* cited by examiner

Primary Examiner—Robert M. Spear

Assistant Examiner—Ania K Dworzecka

(74) *Attorney, Agent, or Firm*—Jaeckle Fleischmann & Mugel, LLP

(57) **CLAIM**

The protective enclosure for an electronic device, as shown and described.

FIG. 1 is a right front perspective view of a first embodiment of an ornamental design for a protective enclosure for an electronic device according to the present invention;

FIG. 2 is a front view of the protective enclosure for an electronic device shown in FIG. 1;

FIG. 3 is a left side view of the protective enclosure for an electronic device shown in FIG. 1;

FIG. 4 is a right side view of the protective enclosure for an electronic device shown in FIG. 1;

FIG. 5 is a top view of the protective enclosure for an electronic device shown in FIG. 1;

FIG. 6 is a bottom view of the protective enclosure for an electronic device shown in FIG. 1;

FIG. 7 is a rear view of the protective enclosure for an electronic device shown in FIG. 1;

FIG. 8 is a left rear perspective view of the protective enclosure for an electronic device shown in FIG. 1;

FIG. 9 is a right front perspective view of a second embodiment of an ornamental design for a protective enclosure for an electronic device according to the present invention;

FIG. 10 is a front view of the protective enclosure for an electronic device shown in FIG. 9;

FIG. 11 is a left side view of the protective enclosure for an electronic device shown in FIG. 9;

FIG. 12 is a right side view of the protective enclosure for an electronic device shown in FIG. 9;

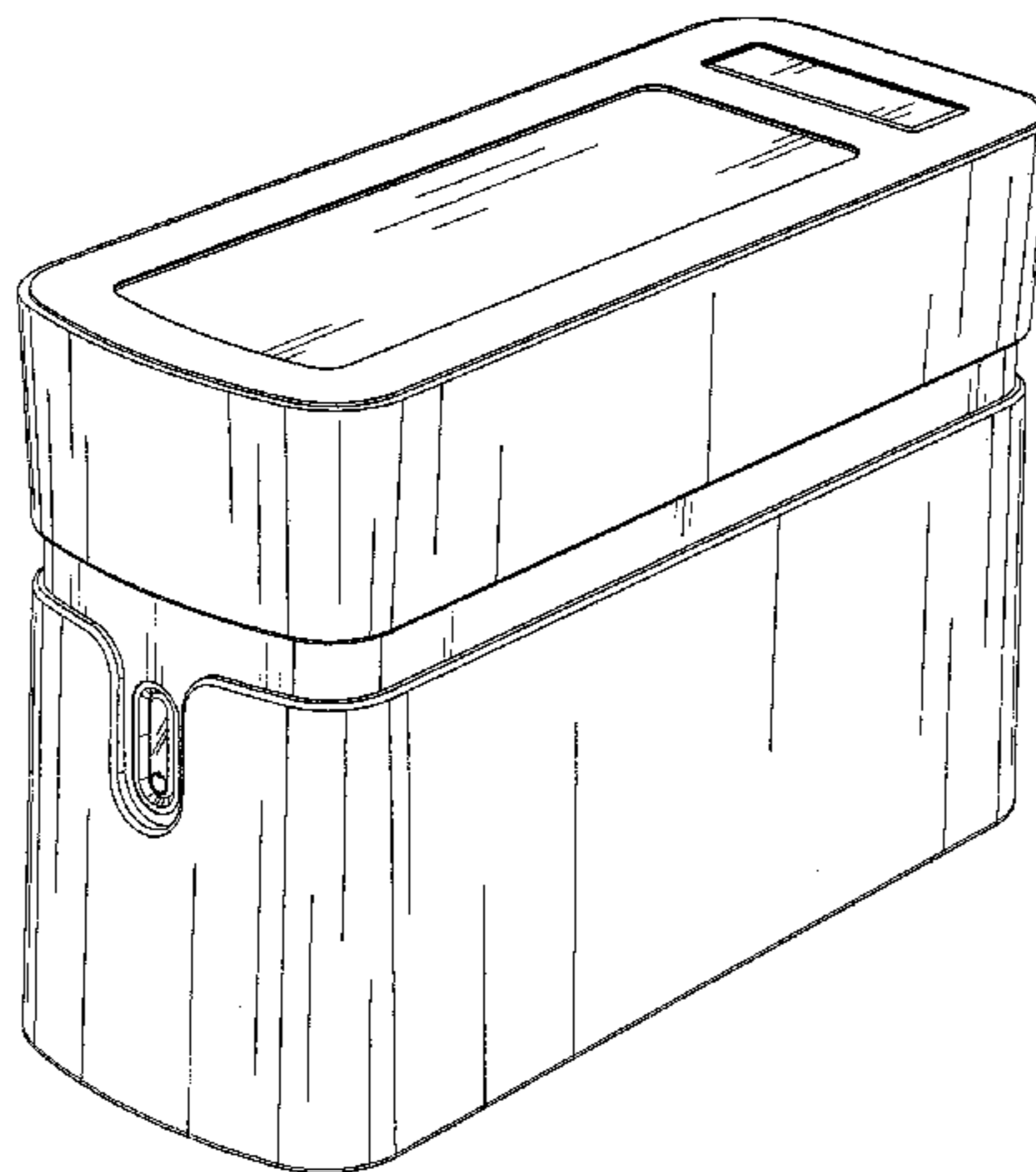
FIG. 13 is a top view of the protective enclosure for an electronic device shown in FIG. 9;

FIG. 14 is a bottom view of the protective enclosure for an electronic device shown in FIG. 9;

FIG. 15 is a rear view of the protective enclosure for an electronic device shown in FIG. 9; and,

FIG. 16 is a left rear perspective view of the protective enclosure for an electronic device shown in FIG. 9.

1 Claim, 16 Drawing Sheets



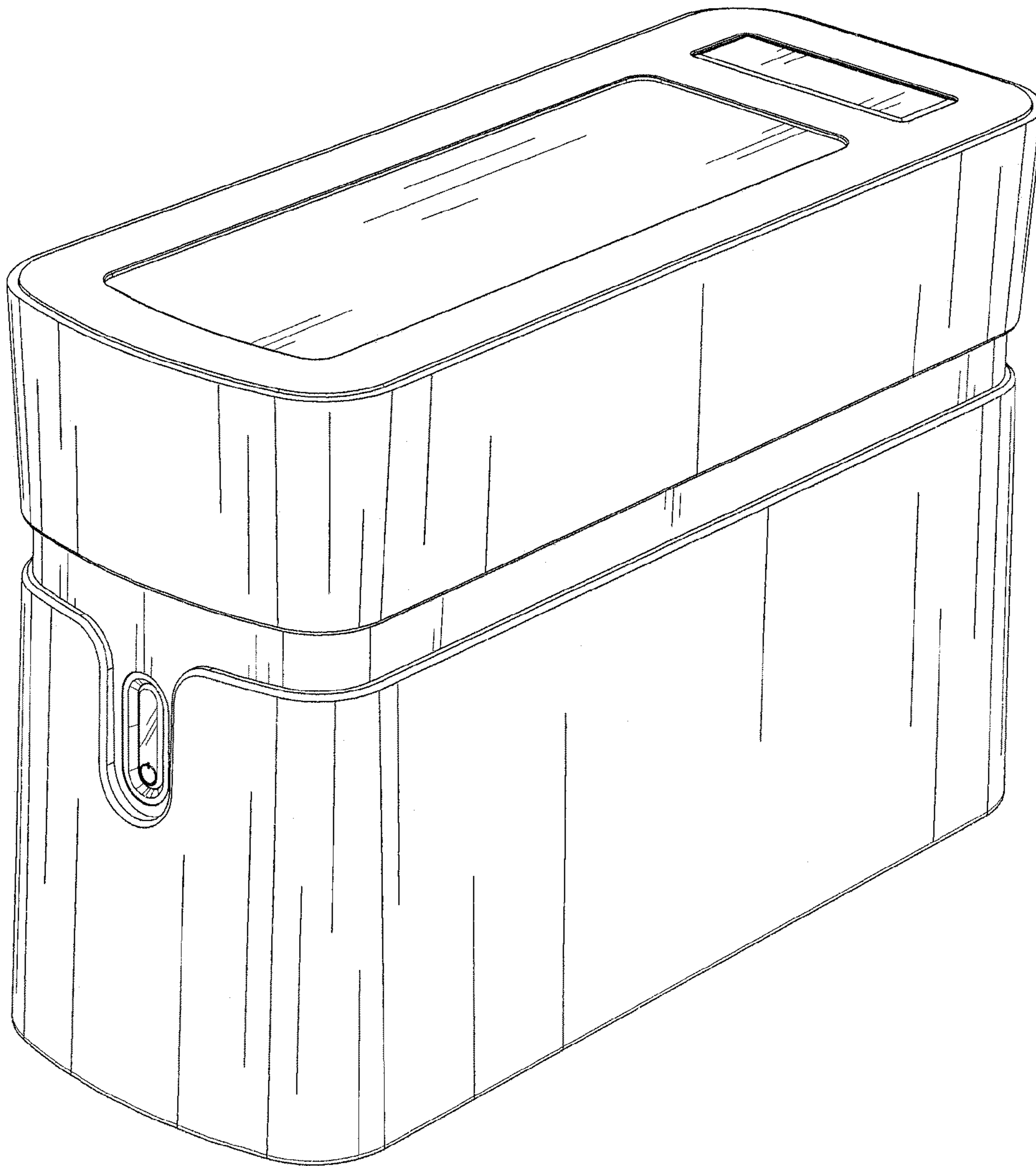


FIG. 1

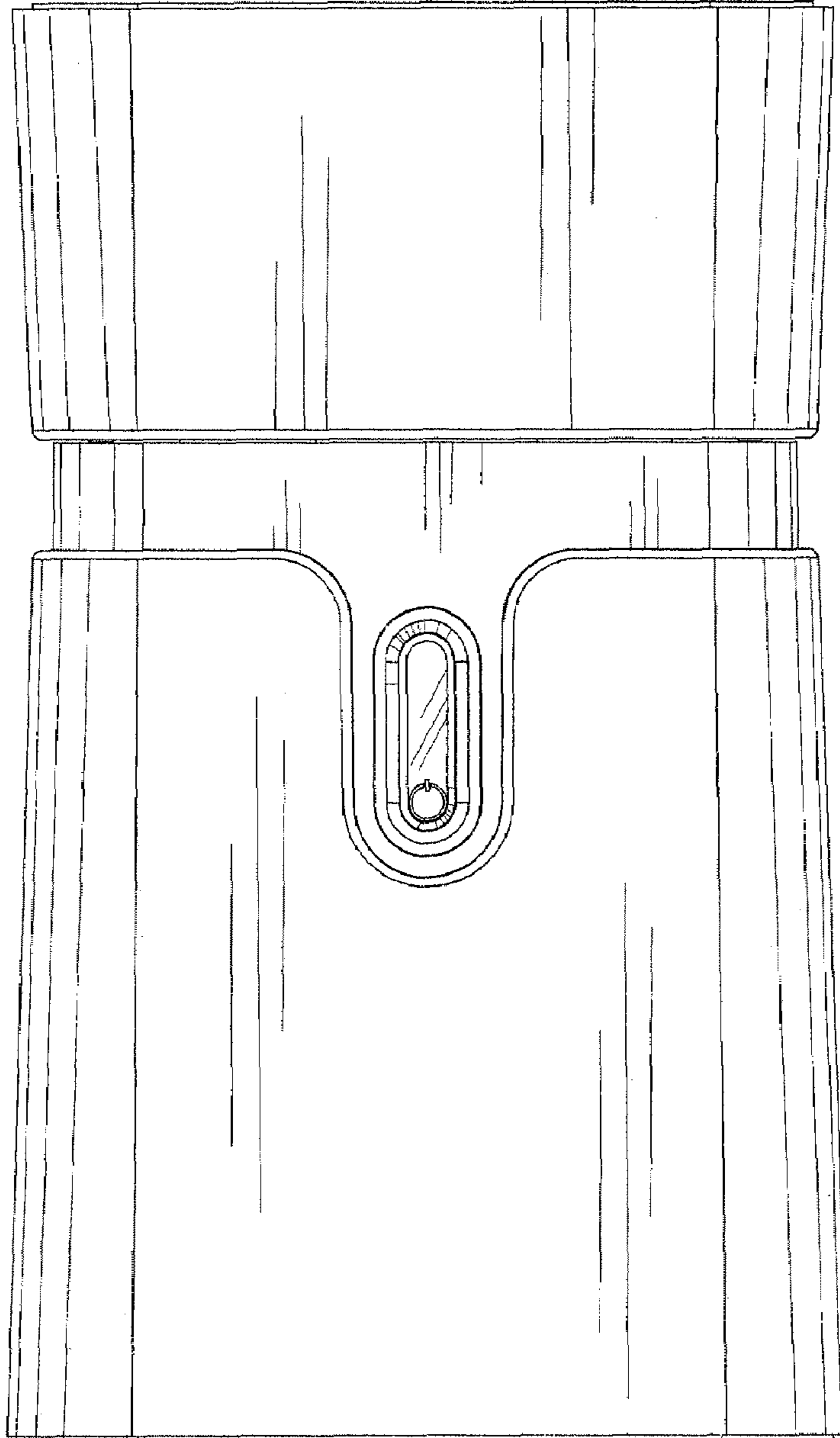


FIG. 2

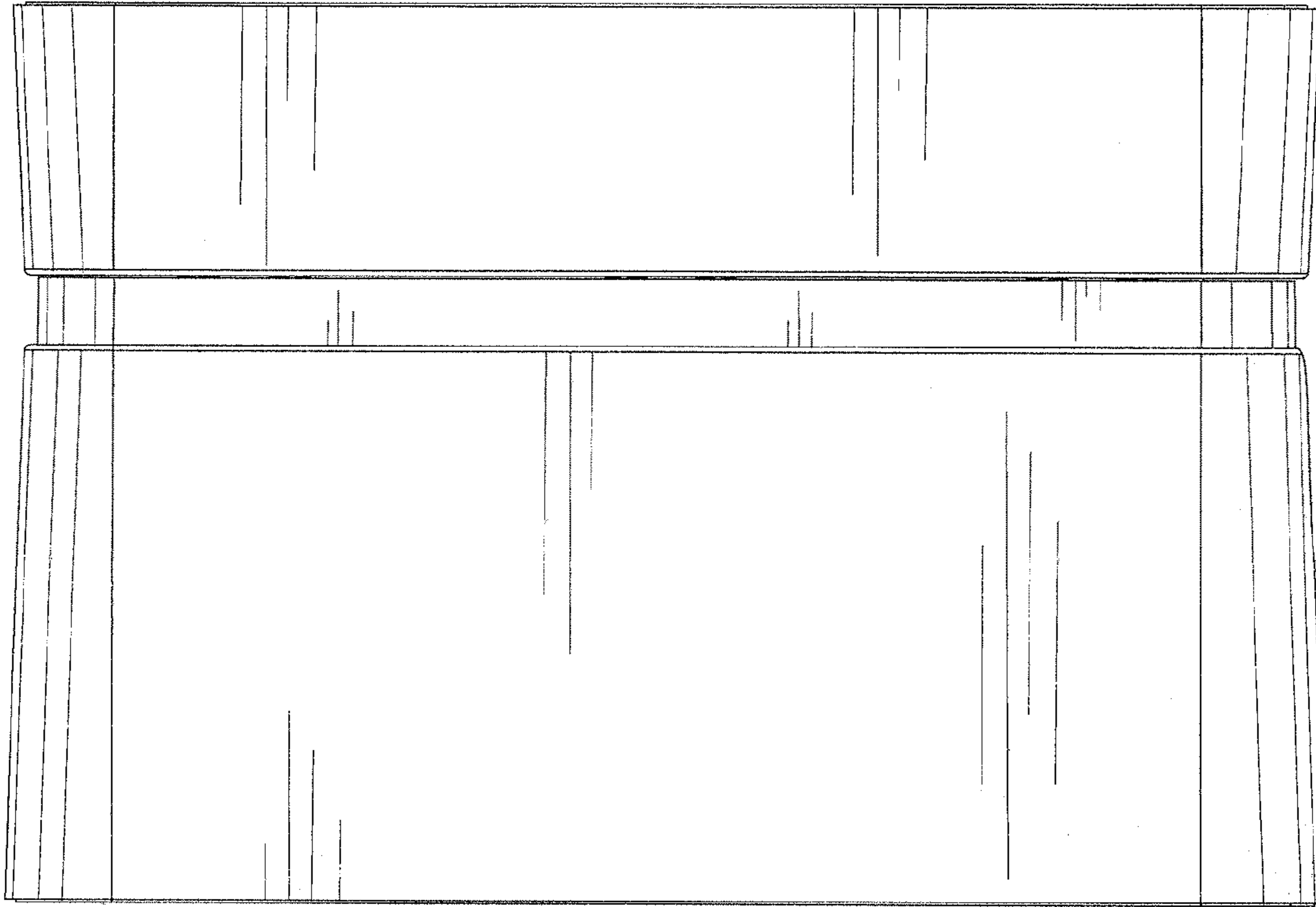


FIG. 3

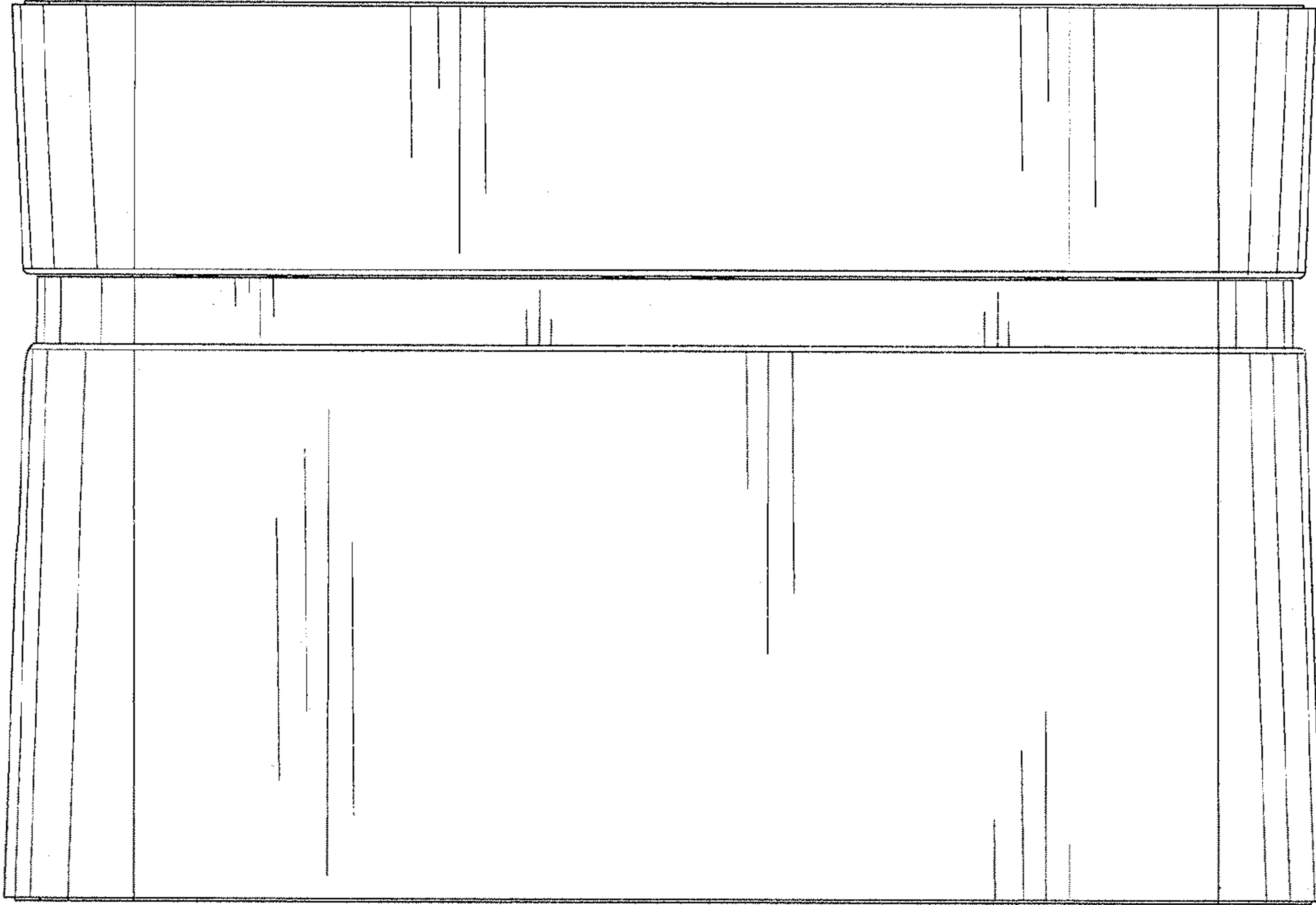


FIG. 4

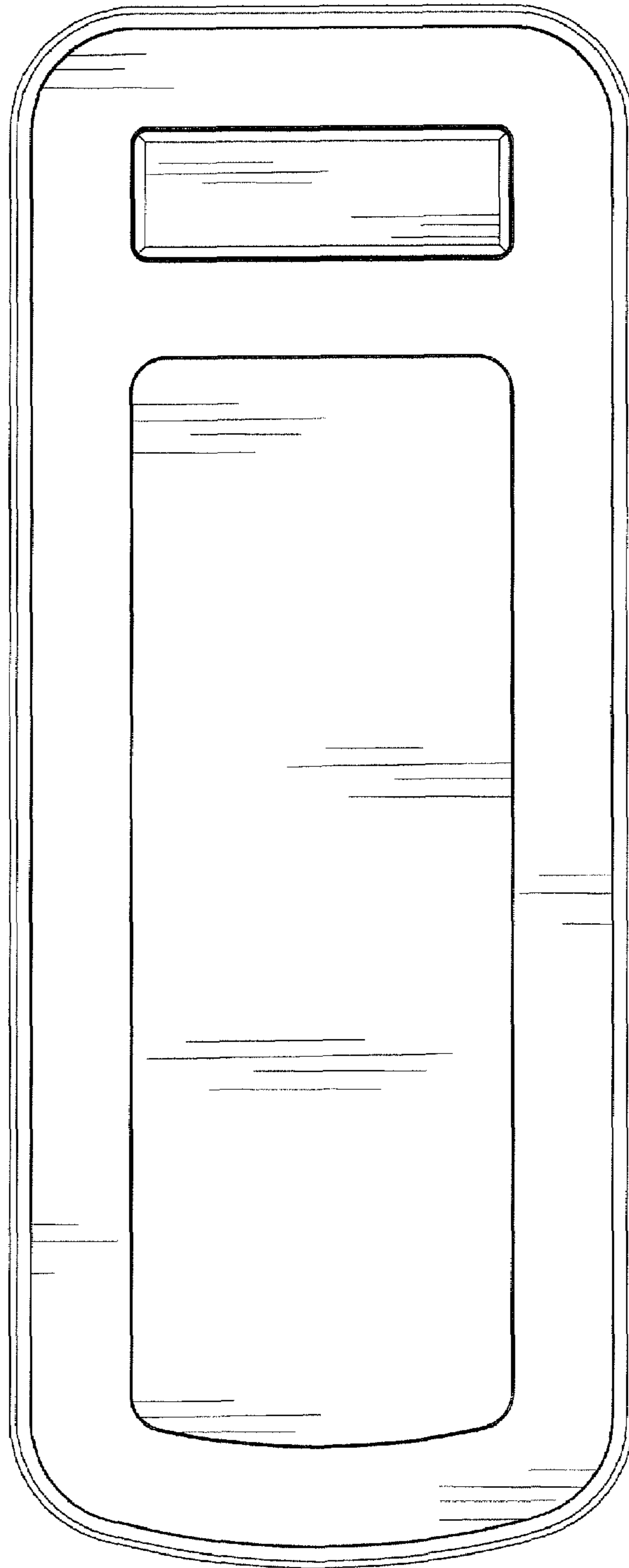


FIG. 5

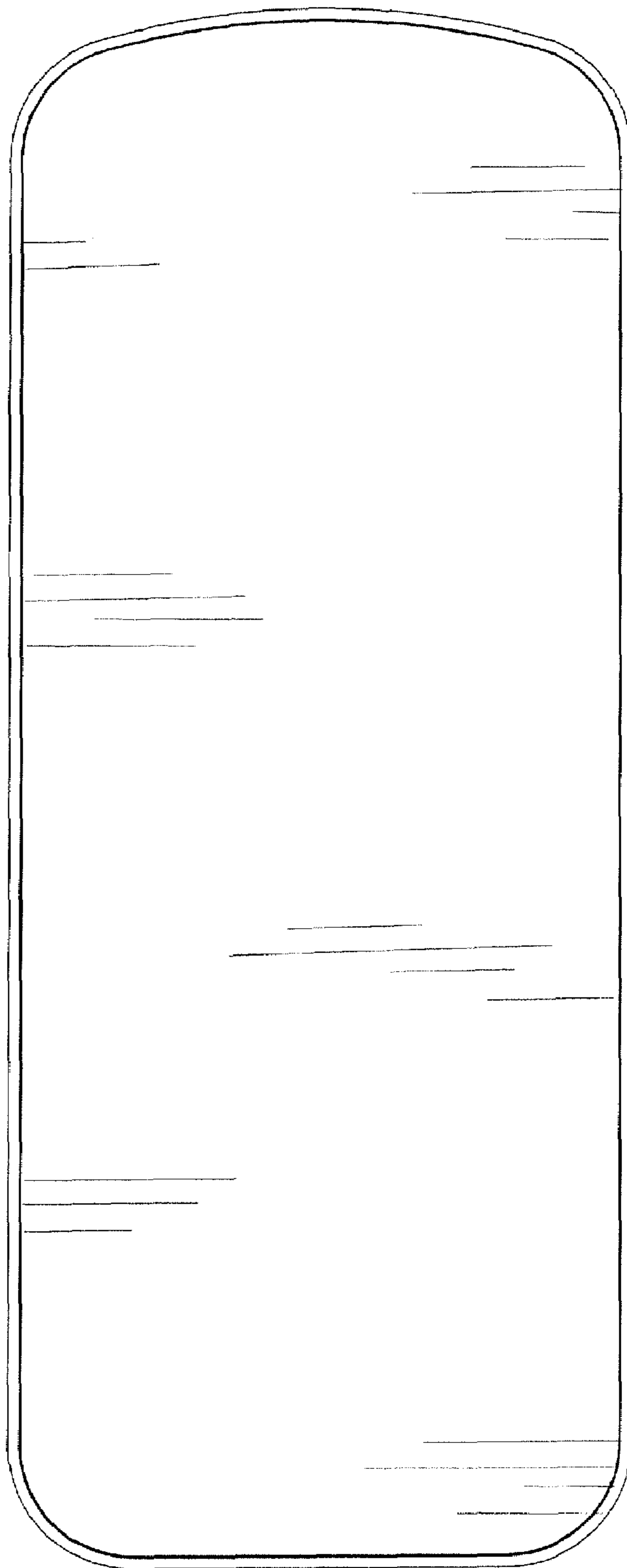


FIG. 6

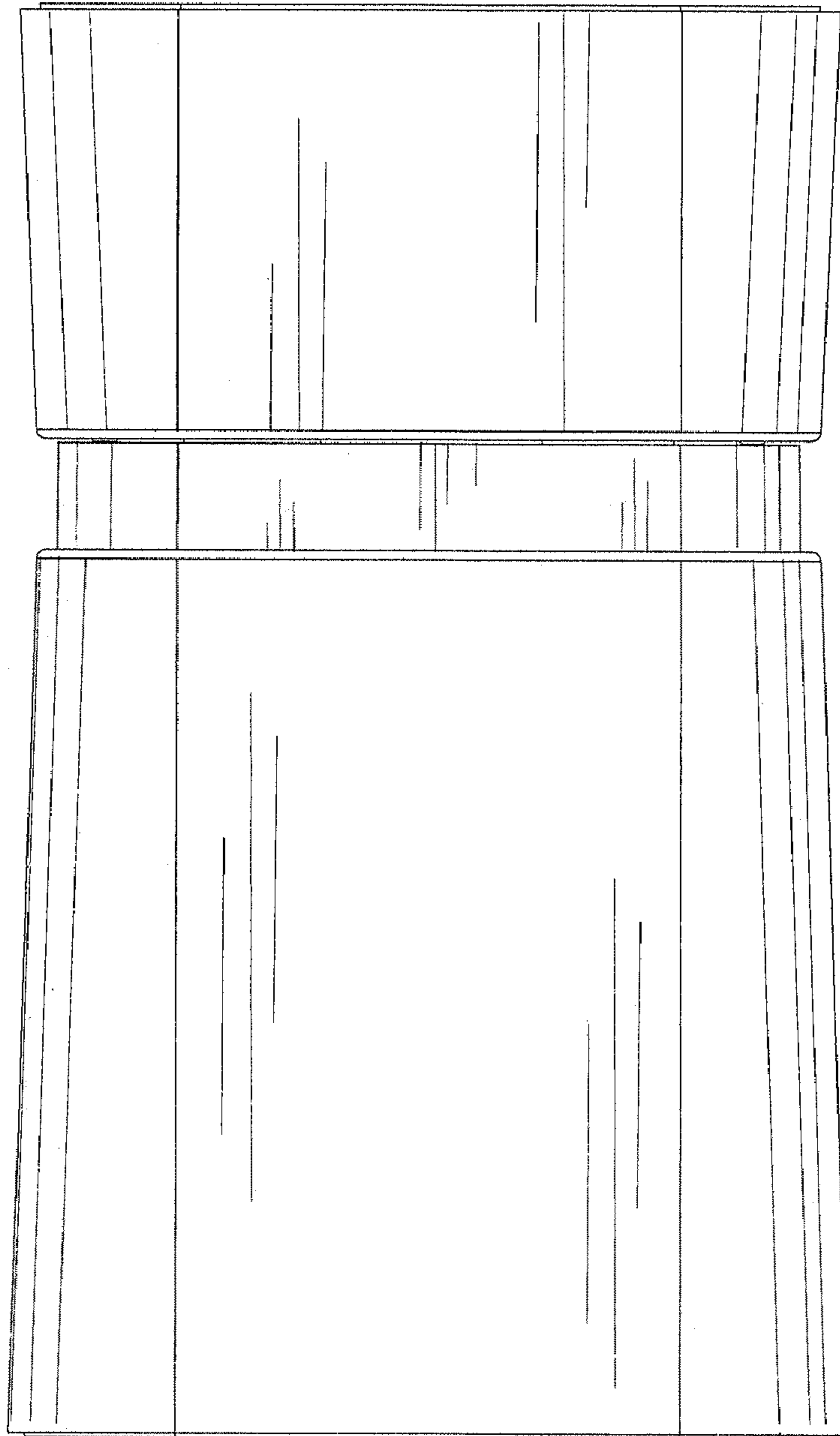


FIG. 7

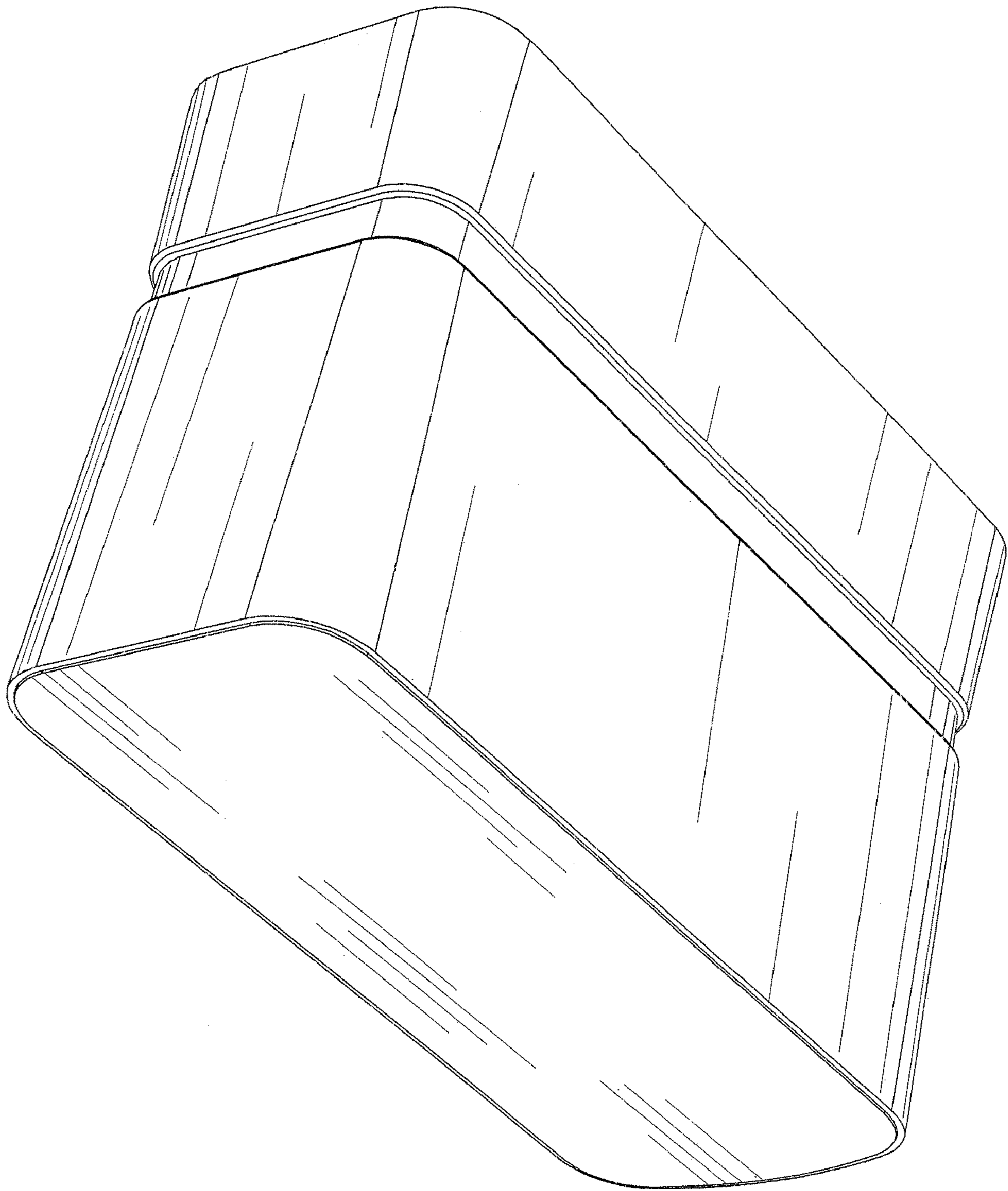


FIG. 8

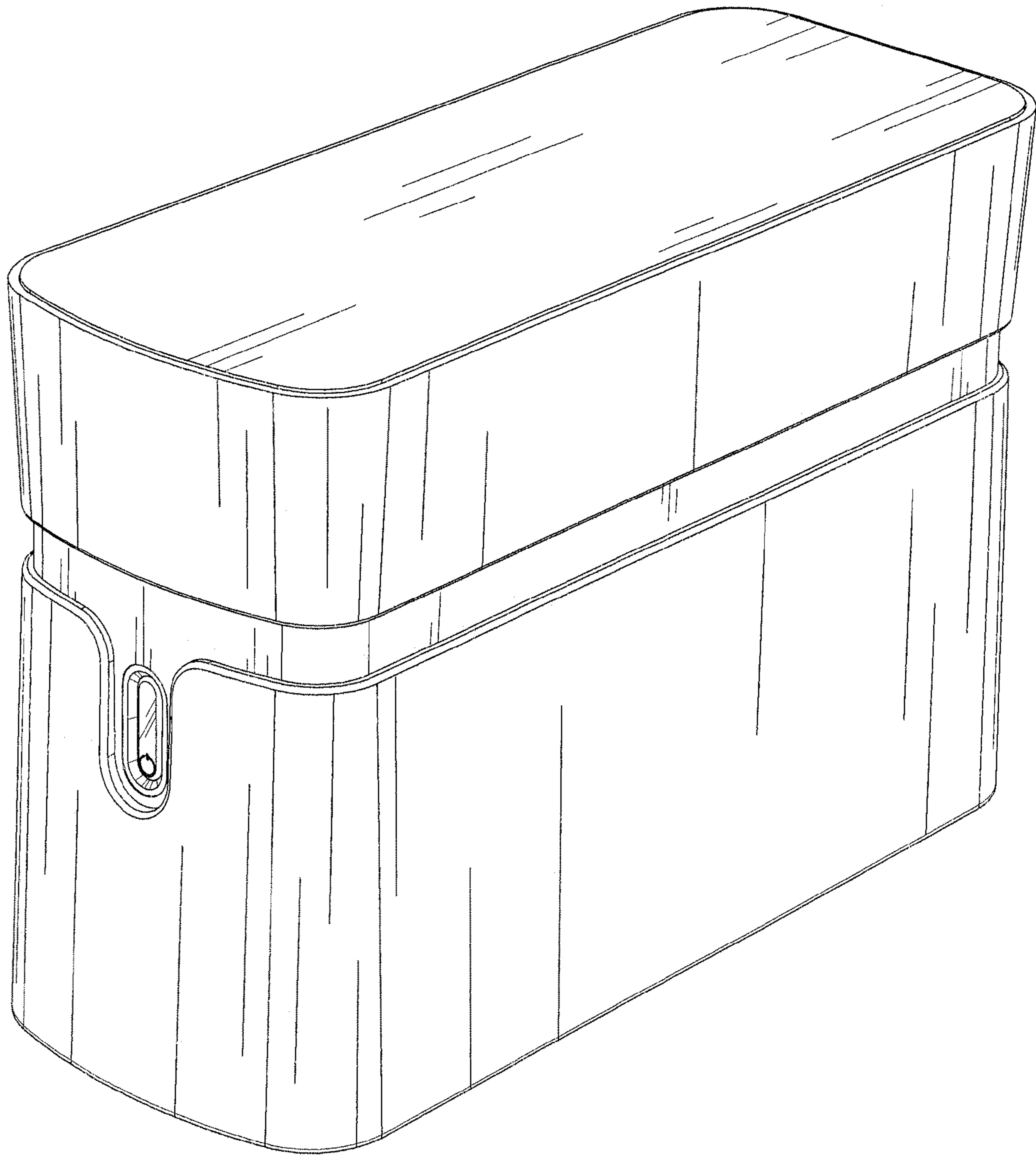


FIG. 9

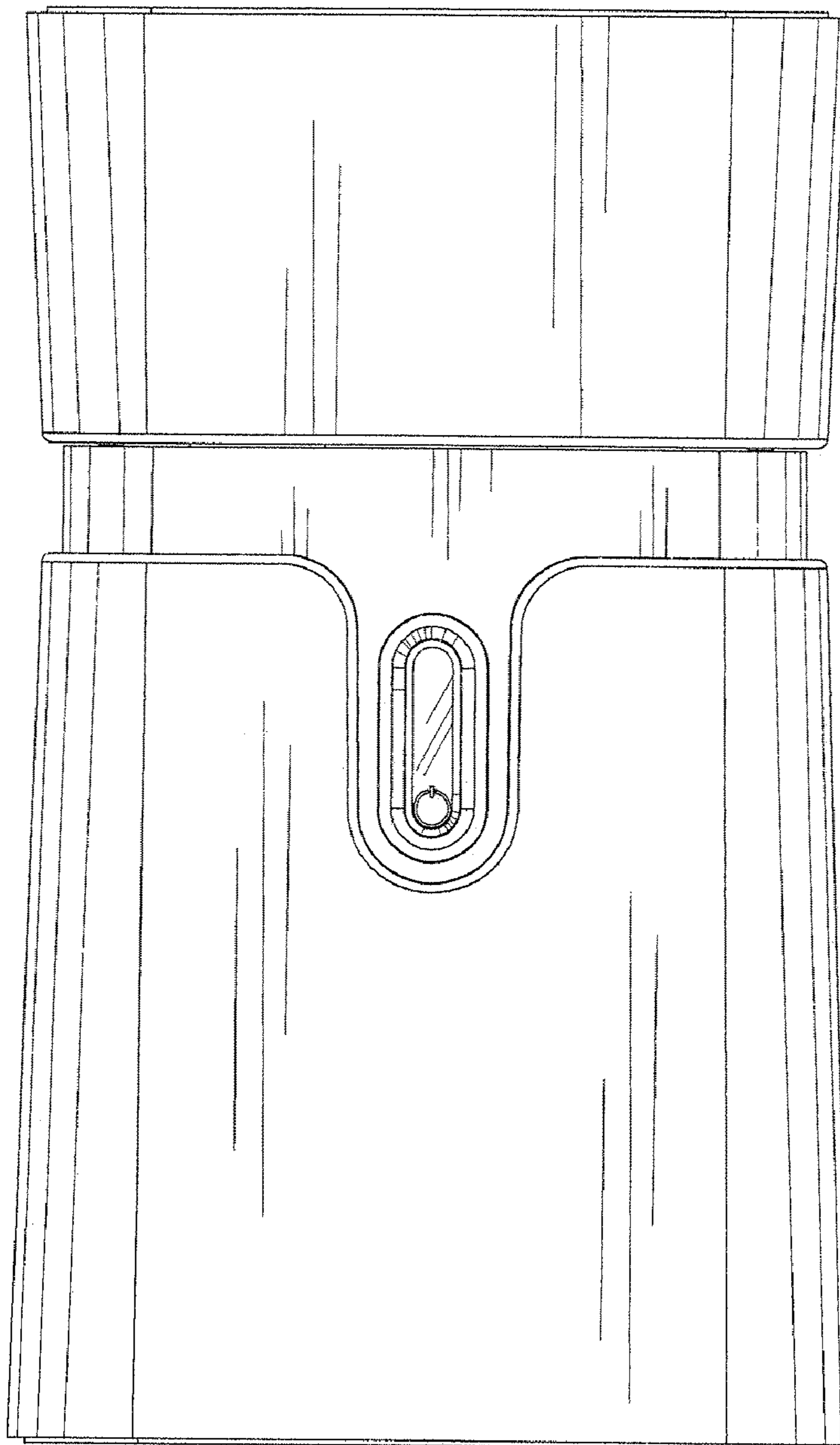


FIG. 10

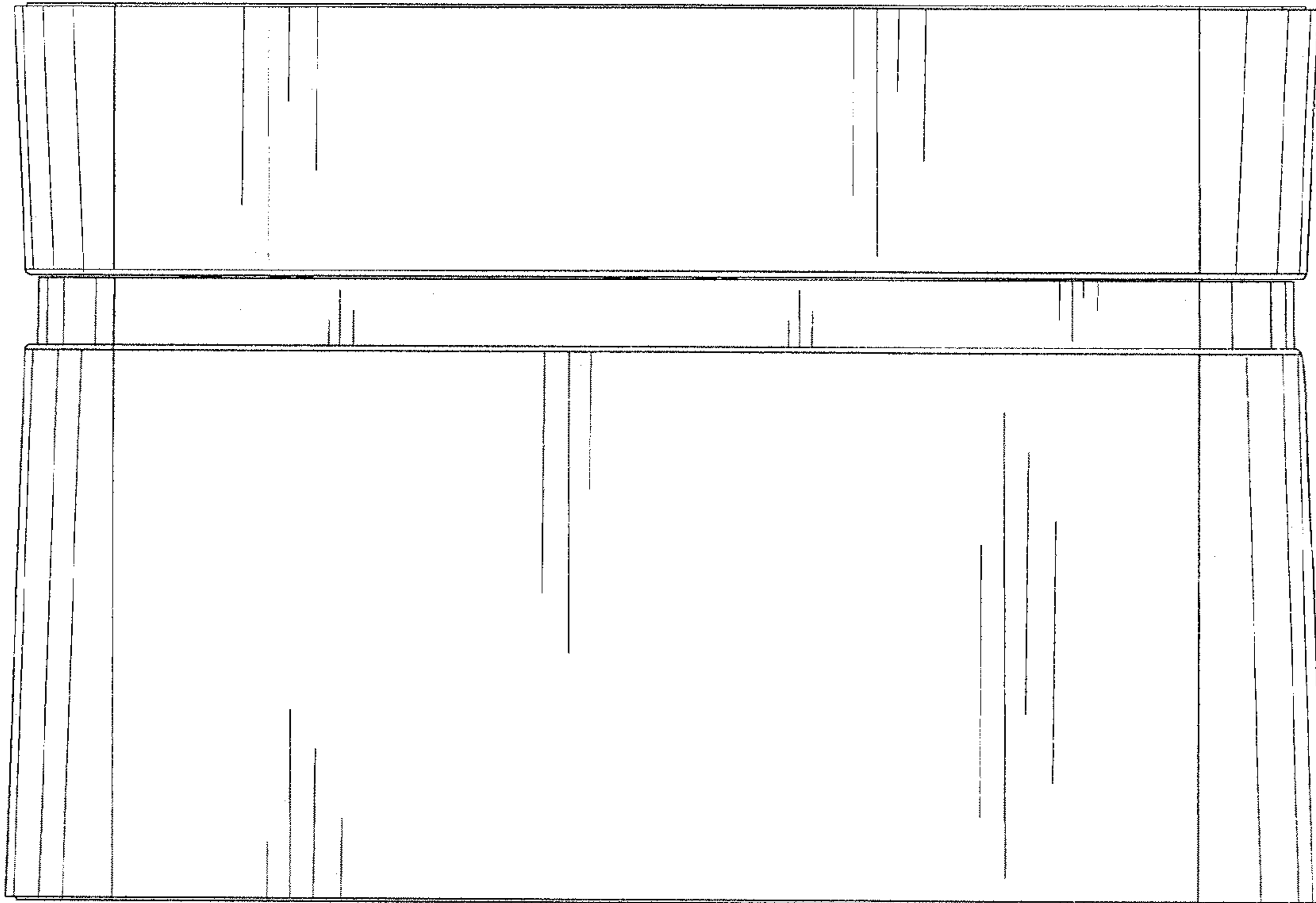


FIG. 11

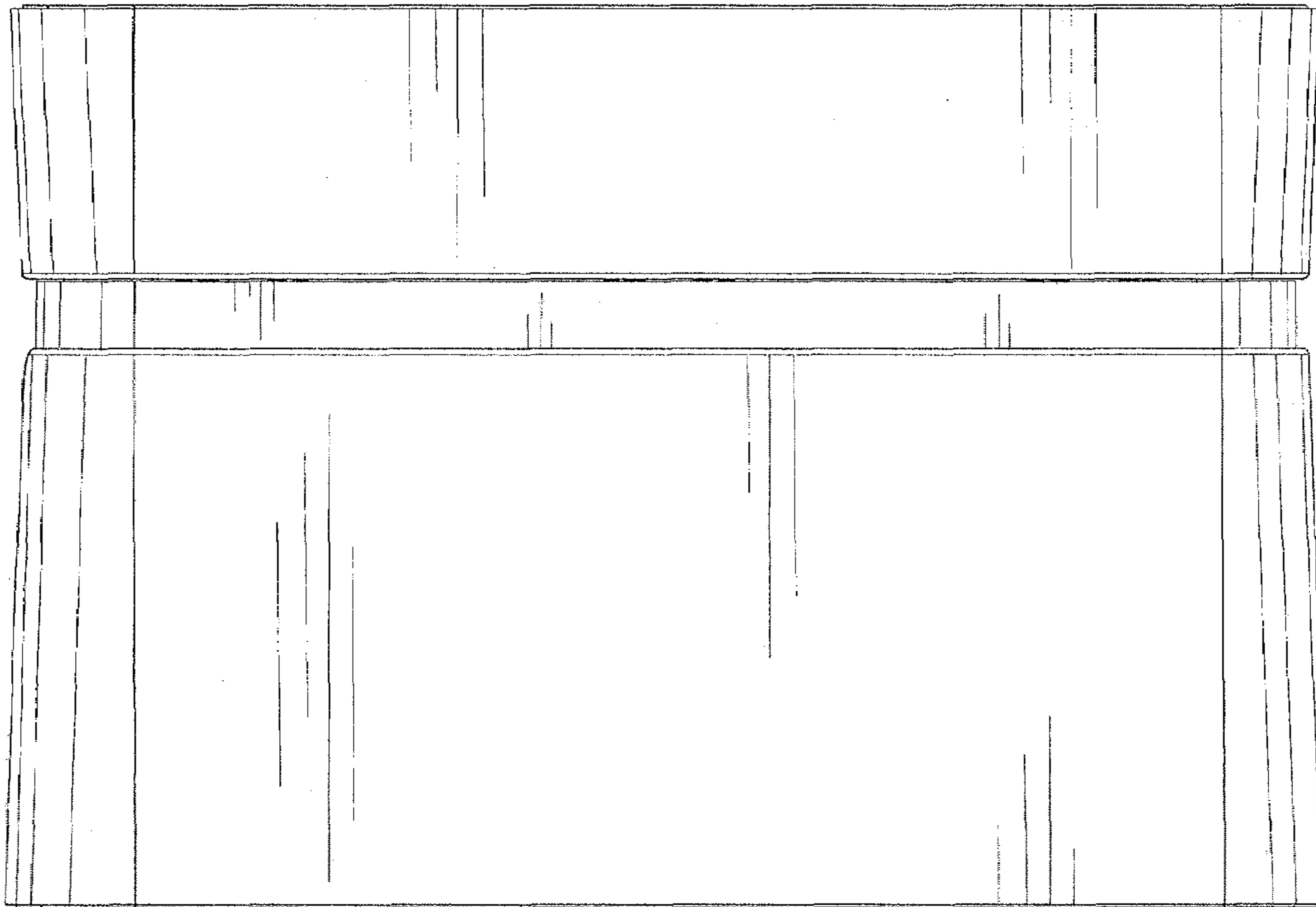


FIG. 12

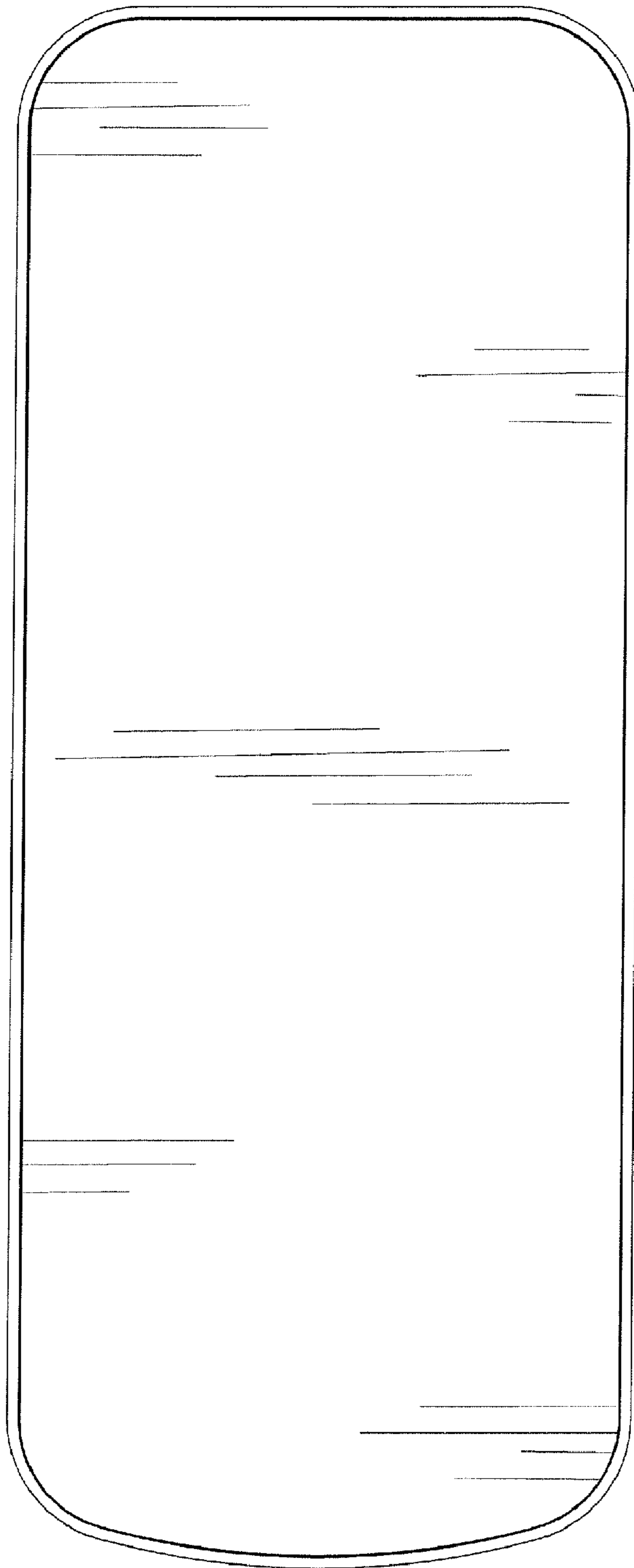


FIG. 13

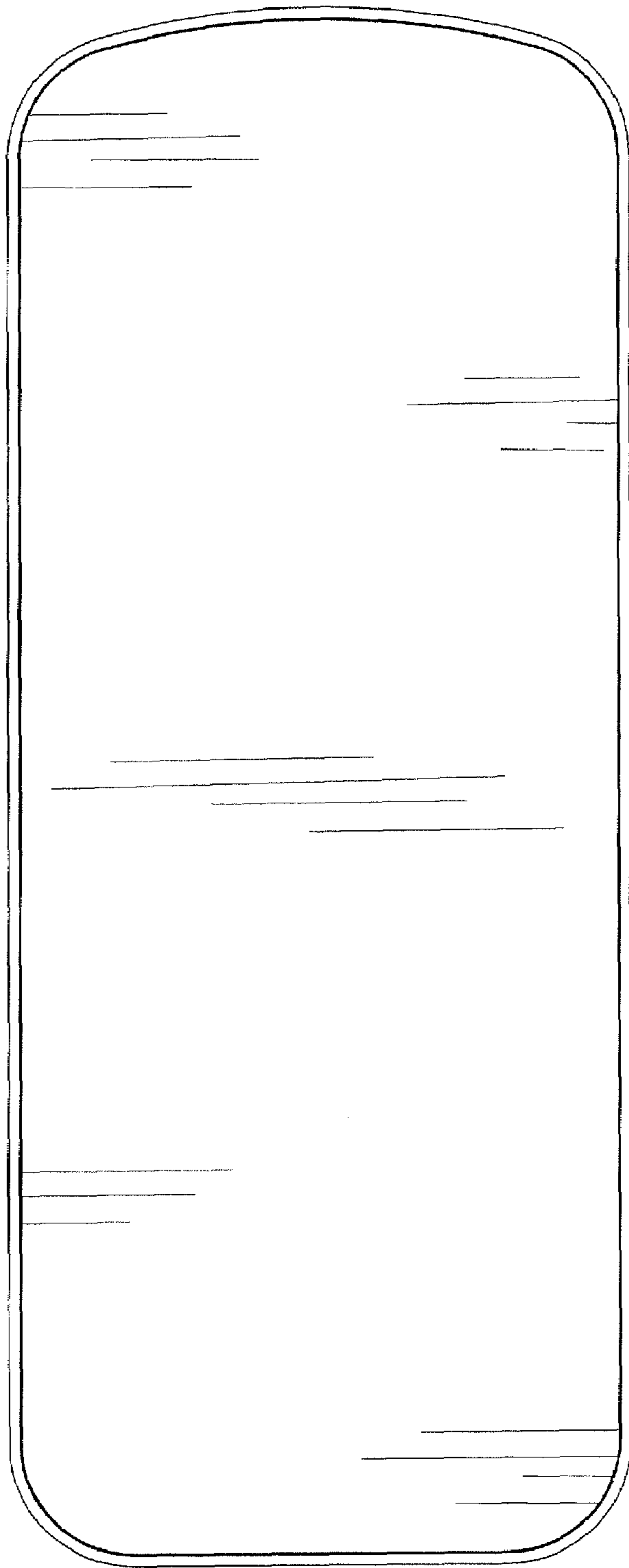


FIG. 14

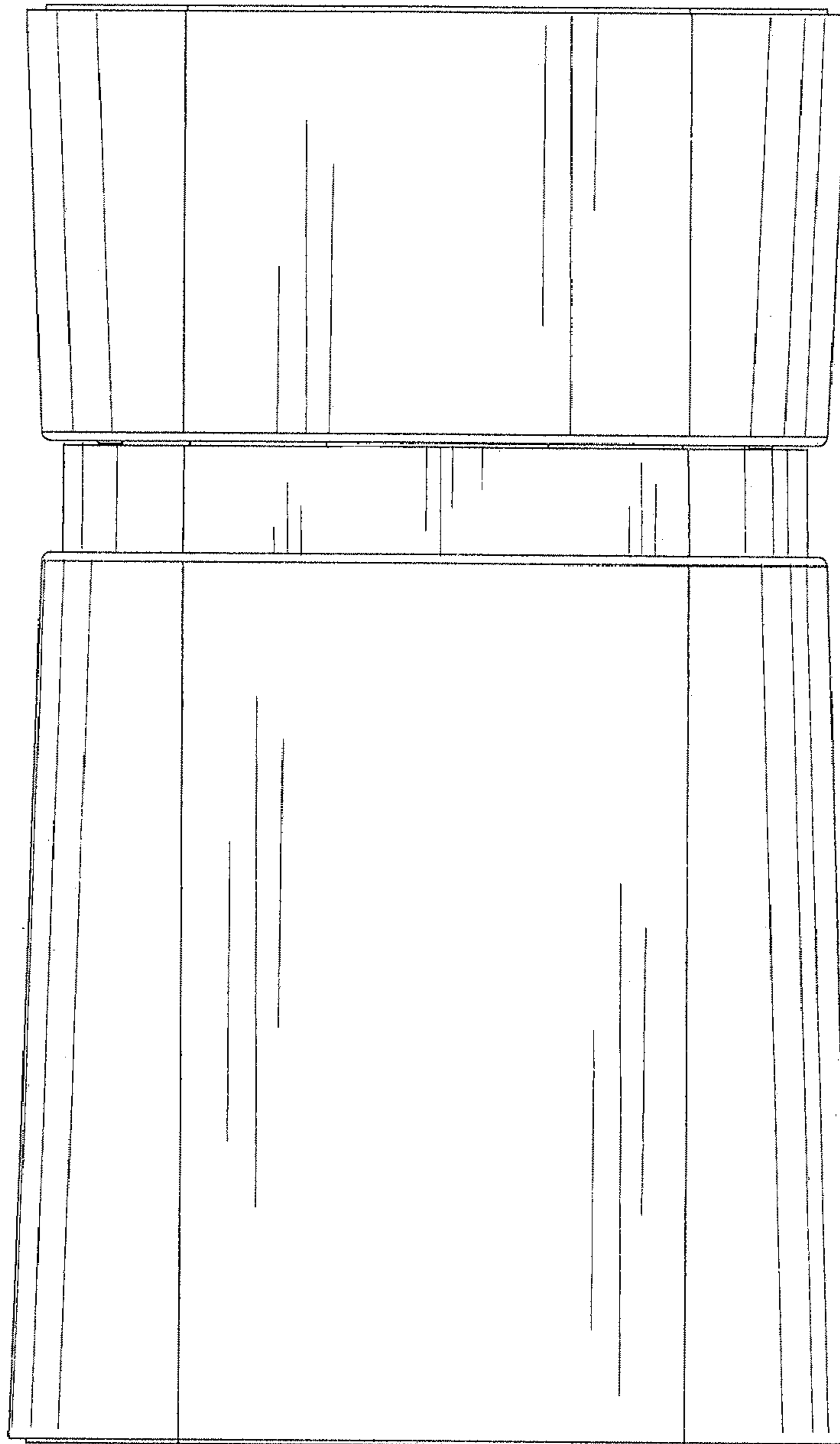


FIG. 15

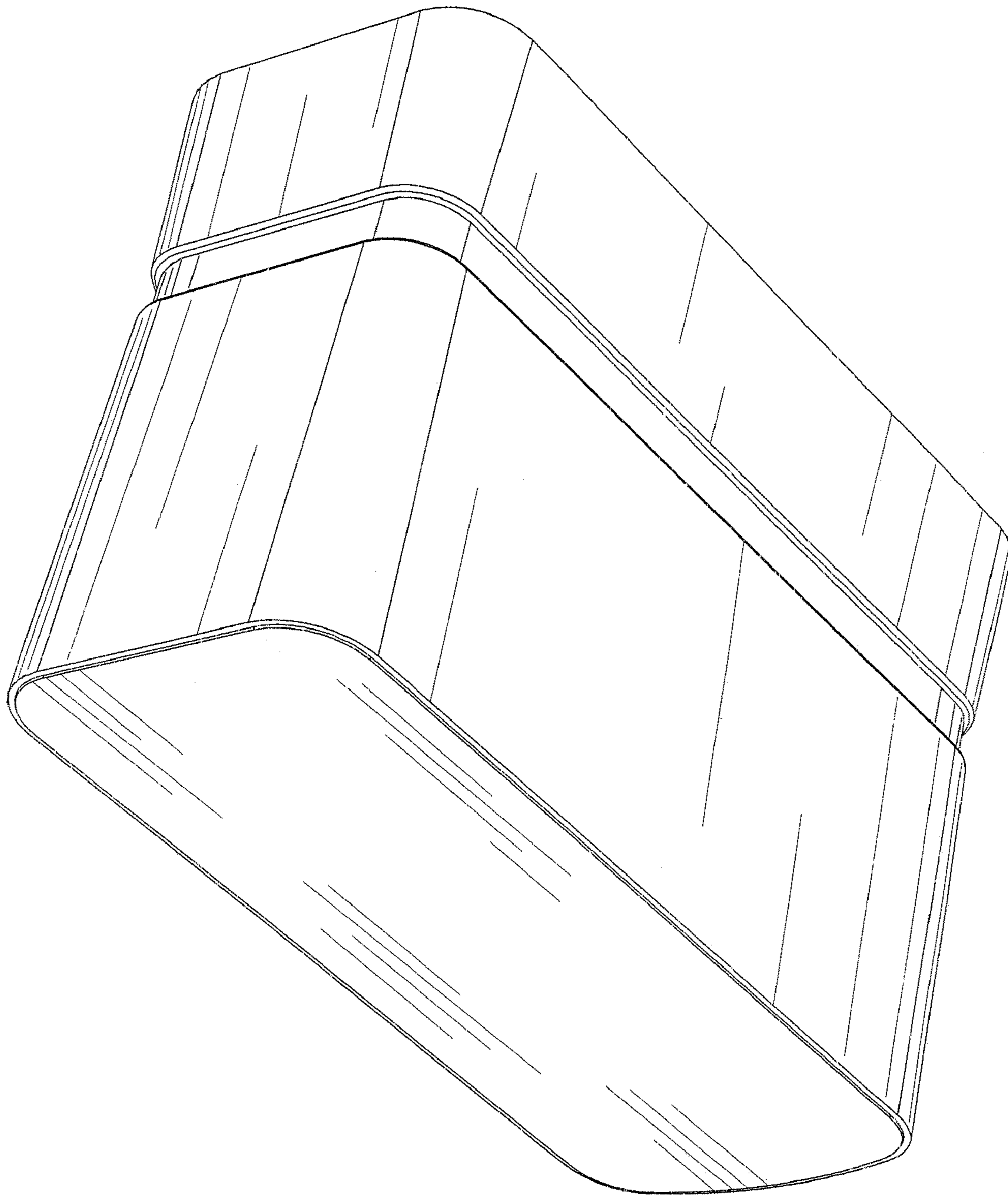


FIG. 16