



US00D569068S

(12) **United States Design Patent**
Keane

(10) **Patent No.:** **US D569,068 S**

(45) **Date of Patent:** **** May 13, 2008**

(54) **PAINTING TRAY**

(57) **CLAIM**

(76) **Inventor:** **Carolyn Keane**, 3131 Buccaneer Rd.,
Lake Worth, FL (US) 33462

The ornamental design for a painting tray, as shown and described.

(**) **Term:** **14 Years**

(21) **Appl. No.:** **29/279,766**

DESCRIPTION

(22) **Filed:** **May 7, 2007**

(51) **LOC (8) Cl.** **07-07**

(52) **U.S. Cl.** **D32/53.1**

(58) **Field of Classification Search** D32/53,
D32/53.1, 54; D9/435, 449; 220/697, 254.1–254.2,
220/212, 200, 351, 357.1, 397, 784, 792–793
See application file for complete search history.

FIG. 1 is a perspective view of my ornamental design;
FIG. 2 is a front elevation view of the ornamental design of FIG. 1, where cut lines 8—8 and 9—9 are included for descriptive purposes only and form no part of the claimed design;
FIG. 3 is a rear elevation view of the ornamental design of FIG. 1;
FIG. 4 is a left elevation view of the ornamental design of FIG. 1;
FIG. 5 is a right elevation view of the ornamental design of FIG. 1;
FIG. 6 is a top view of the ornamental design of FIG. 1;
FIG. 7 is a bottom view of the ornamental design of FIG. 1;
FIG. 8 is a plan view taken along line 8—8 in FIG. 2;
FIG. 9 is a plan view taken along line 9—9 in FIG. 2; and,
FIG. 10 is a perspective view of the ornamental design of FIG. 1 with broken lines showing painting tools, which are shown for illustrative purposes only and form no part of the claimed design.

(56) **References Cited**

U.S. PATENT DOCUMENTS

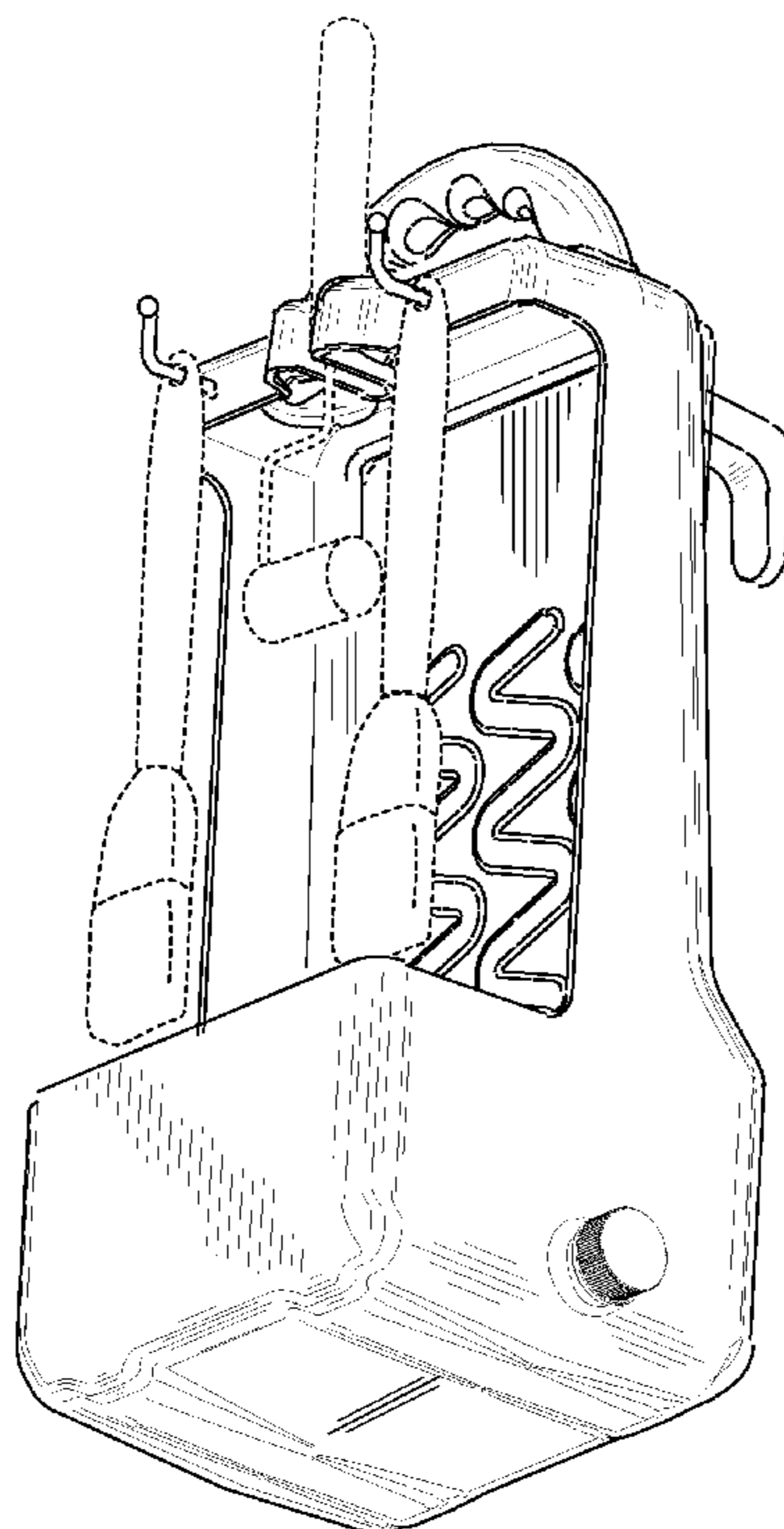
2,661,858	A	12/1953	Howell	
4,890,353	A	1/1990	Shannon et al.	
5,493,751	A *	2/1996	Misiukowiec et al. ...	15/257.06
D419,736	S *	1/2000	Clark	D32/53.1
6,419,106	B1 *	7/2002	Bebak	220/570
D472,684	S *	4/2003	Bebak	D32/53.1
6,622,340	B2 *	9/2003	Rosa	15/257.06
D544,310	S *	6/2007	Smigiel	D7/603
D558,420	S *	12/2007	Shea et al.	D32/53.1
2006/0225959	A1	10/2006	Pohl	

* cited by examiner

Primary Examiner—Pamela J. Burgess

(74) *Attorney, Agent, or Firm*—Akerman Senterfitt; J. Rodman Steele, Jr.; Peter A. Chiabotti

1 Claim, 10 Drawing Sheets



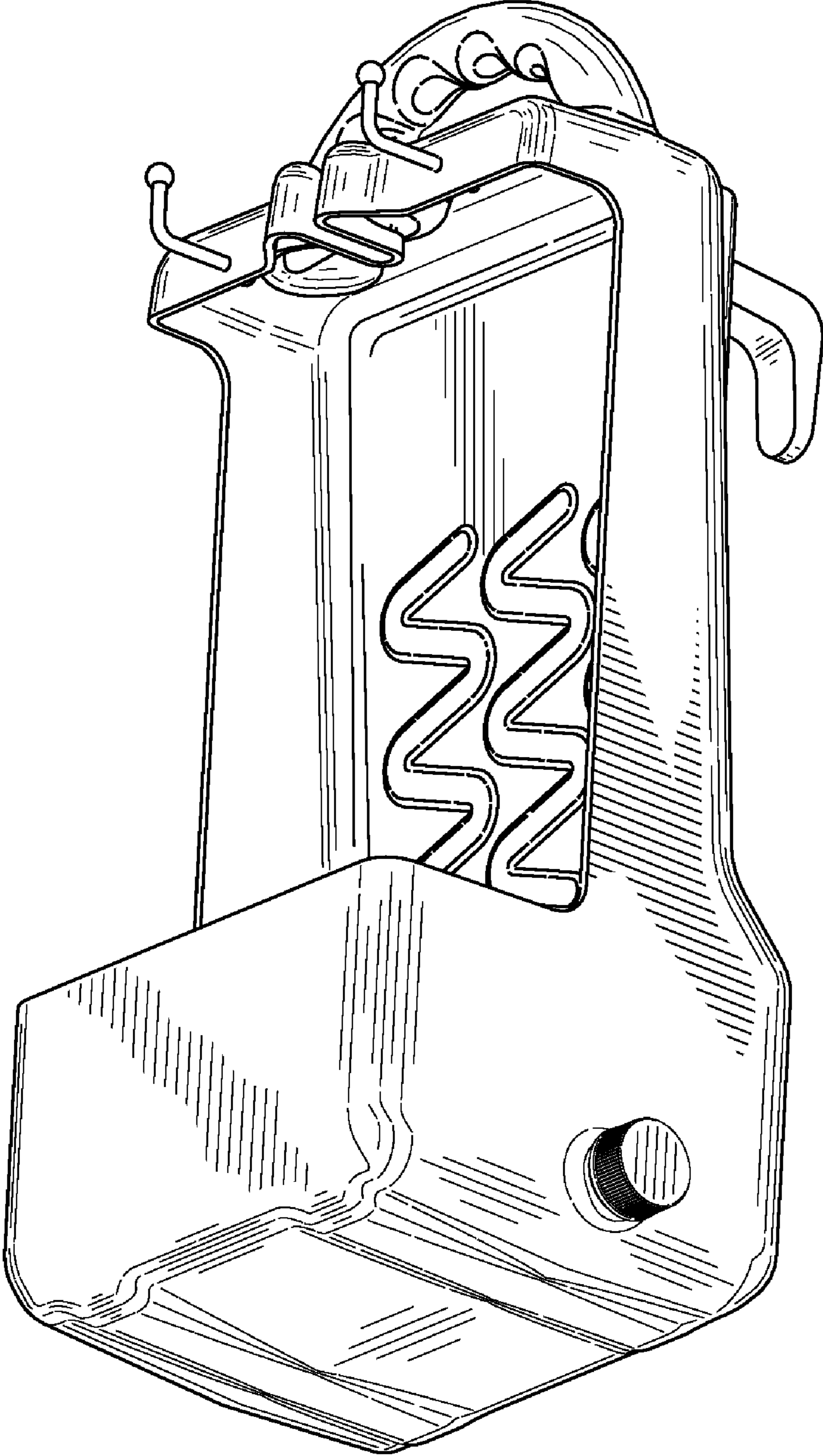


FIG. 1

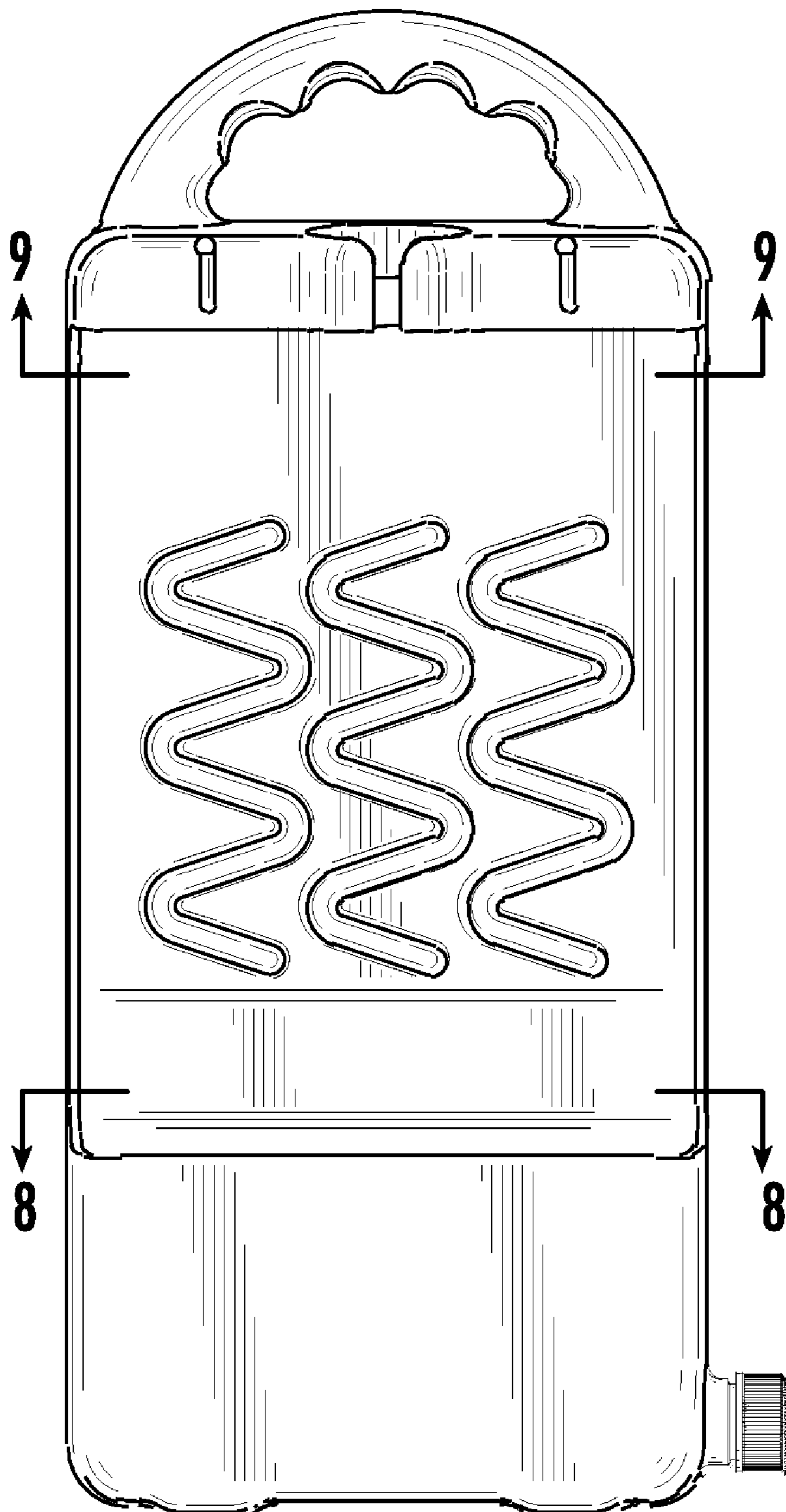


FIG. 2

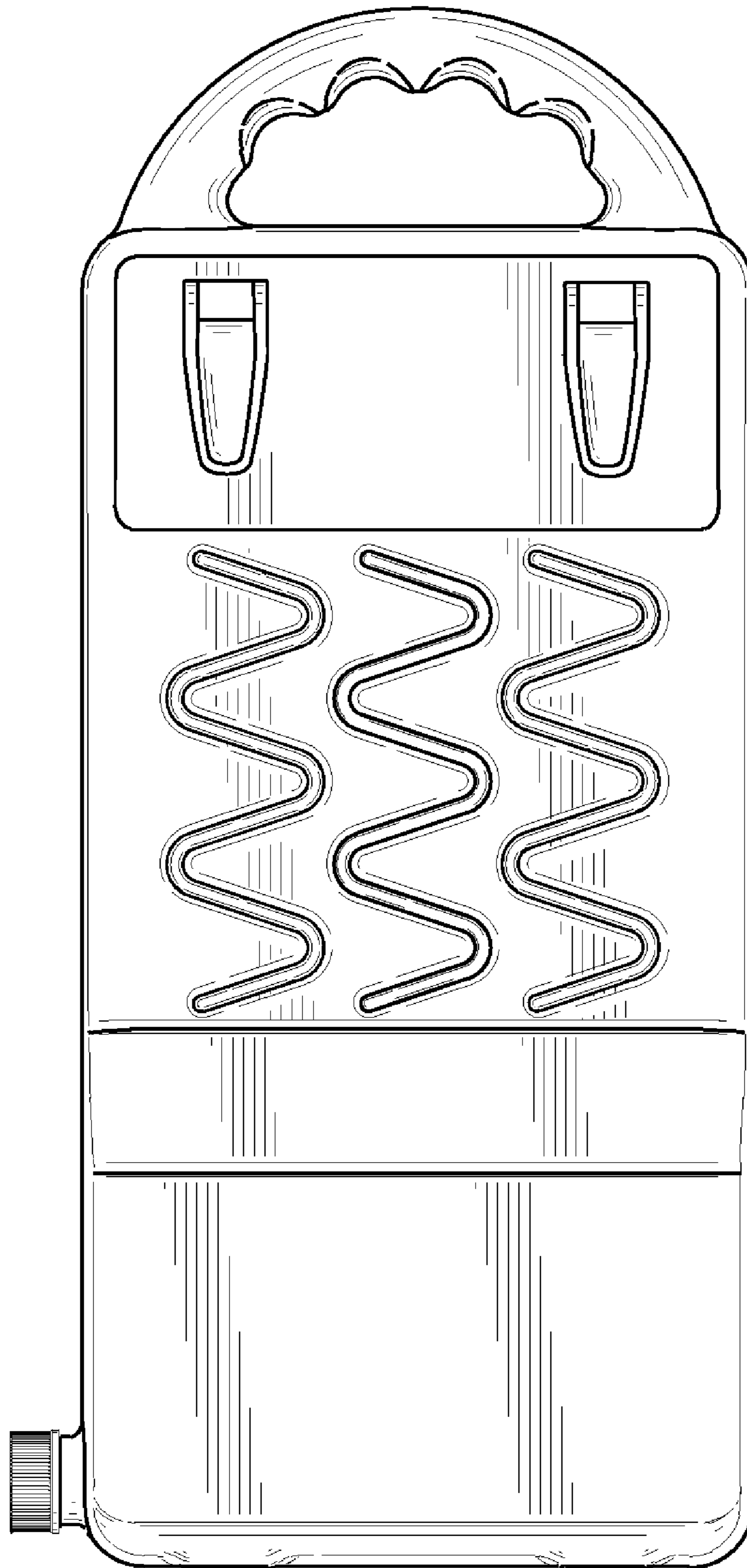


FIG. 3



FIG. 4

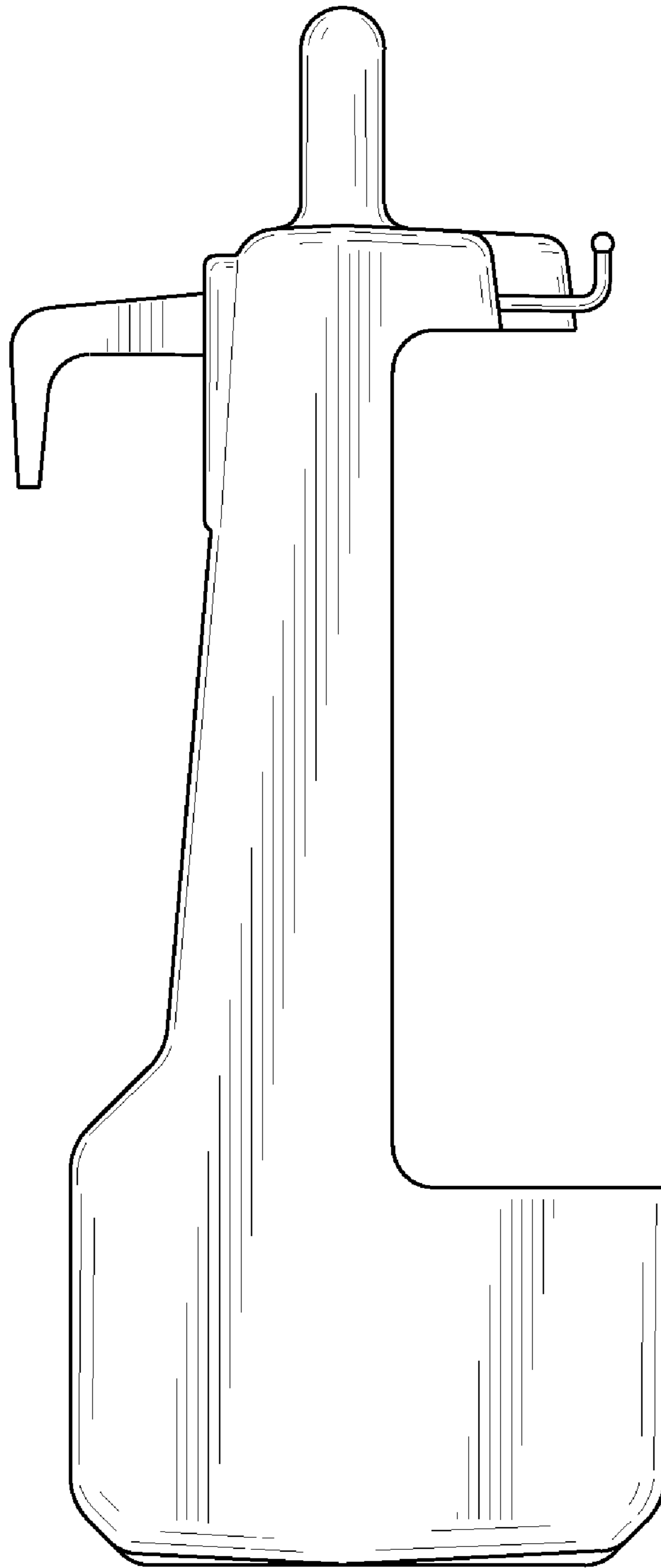


FIG. 5

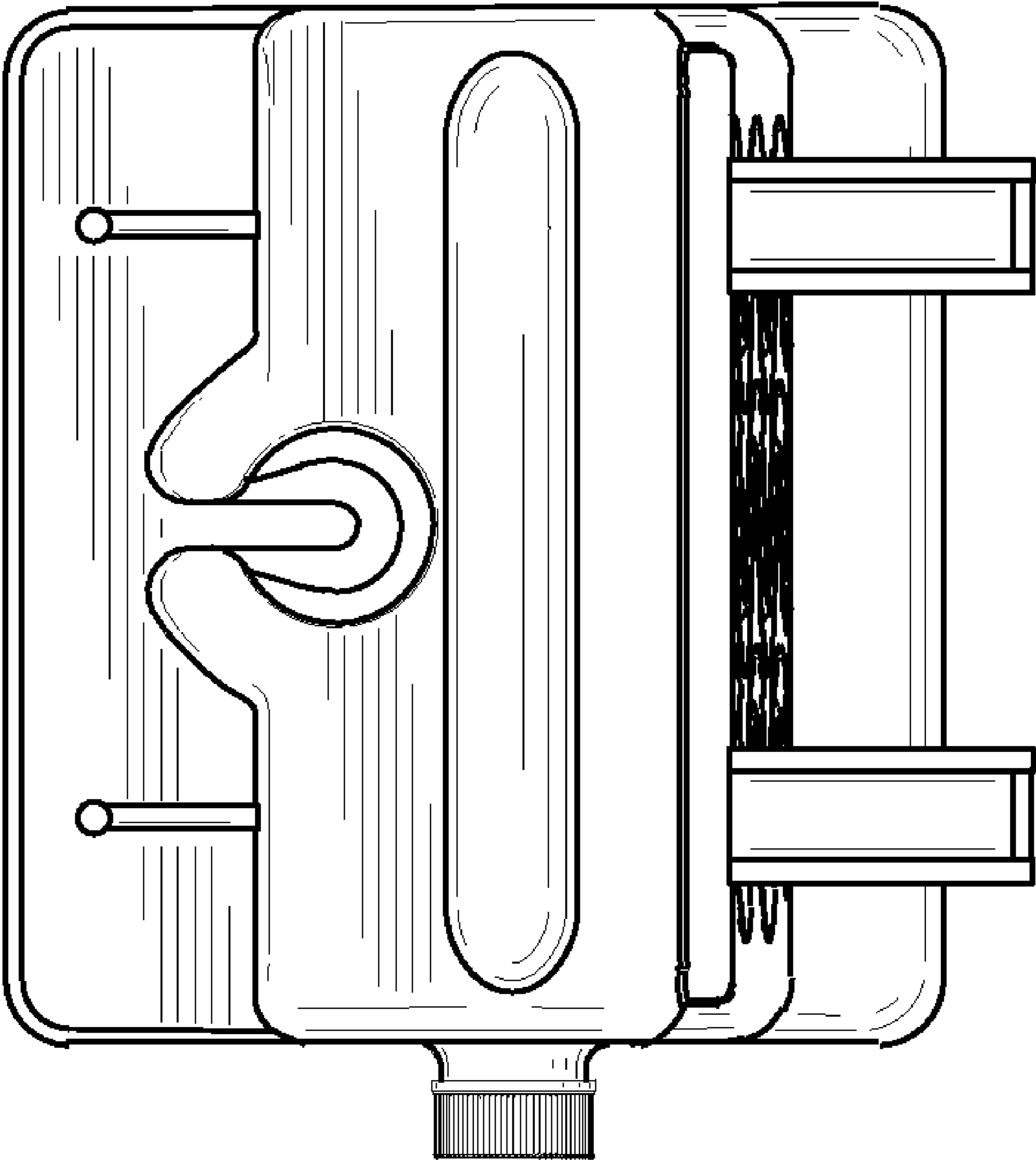


FIG. 6

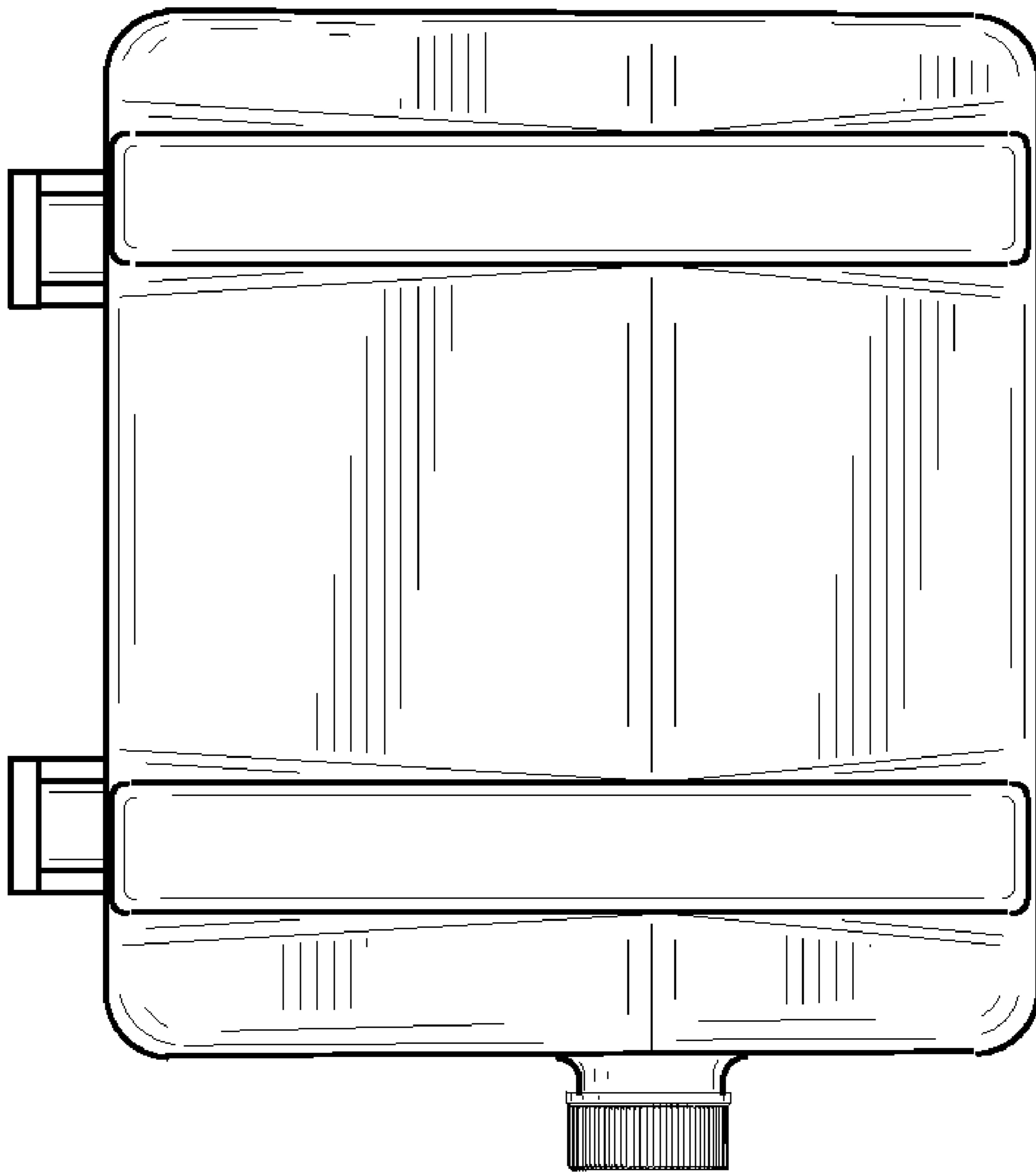


FIG. 7

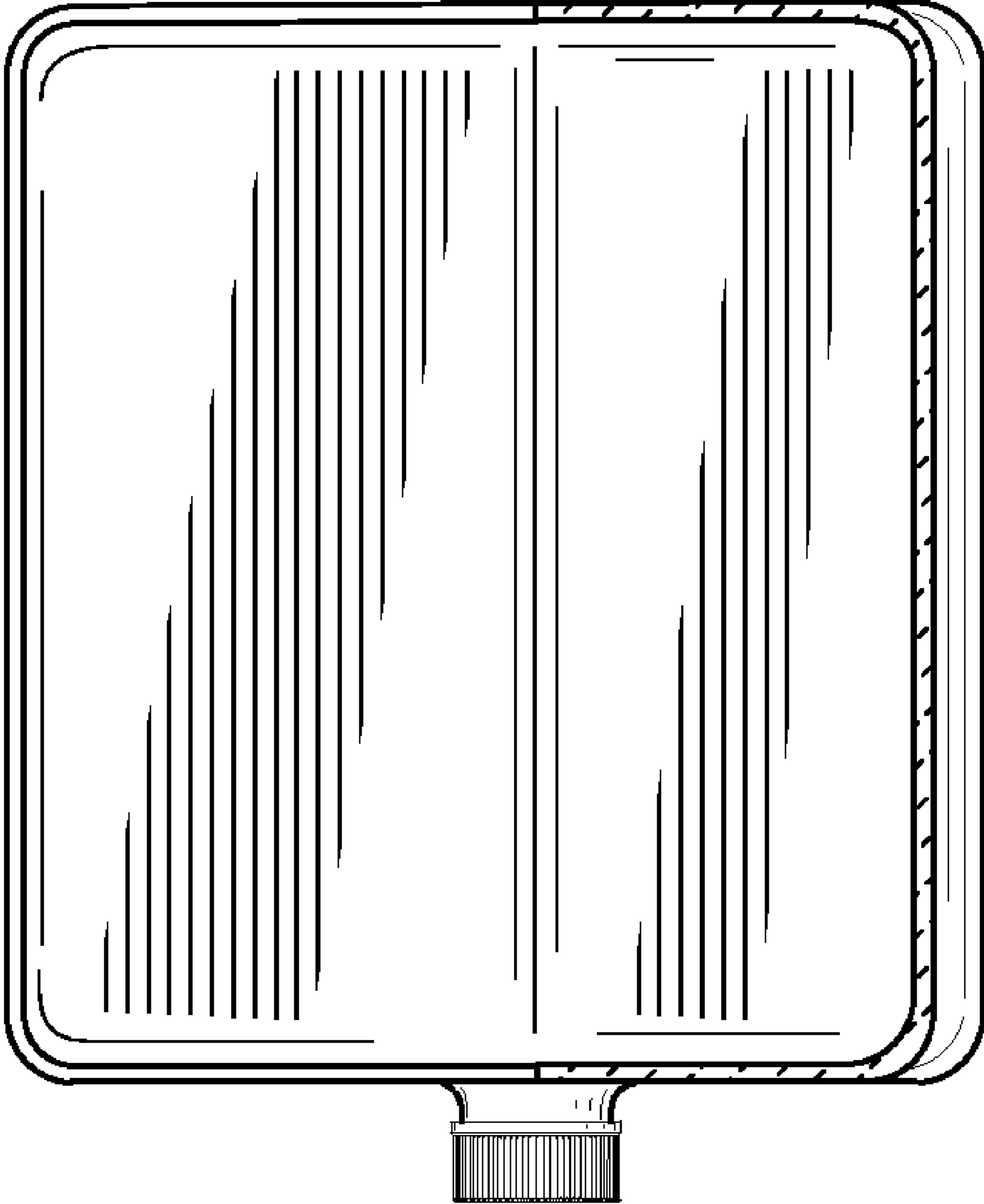


FIG. 8

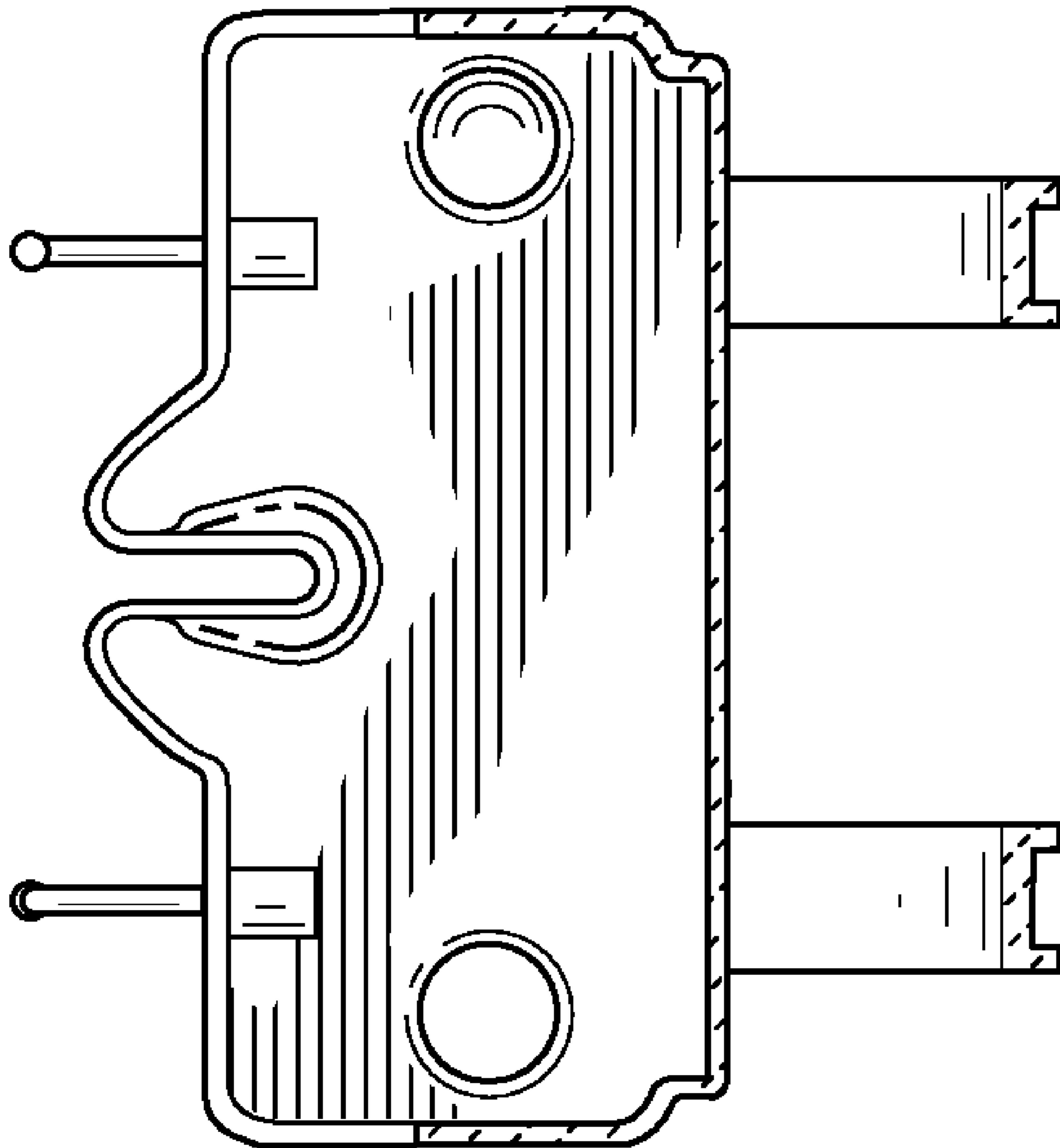


FIG. 9

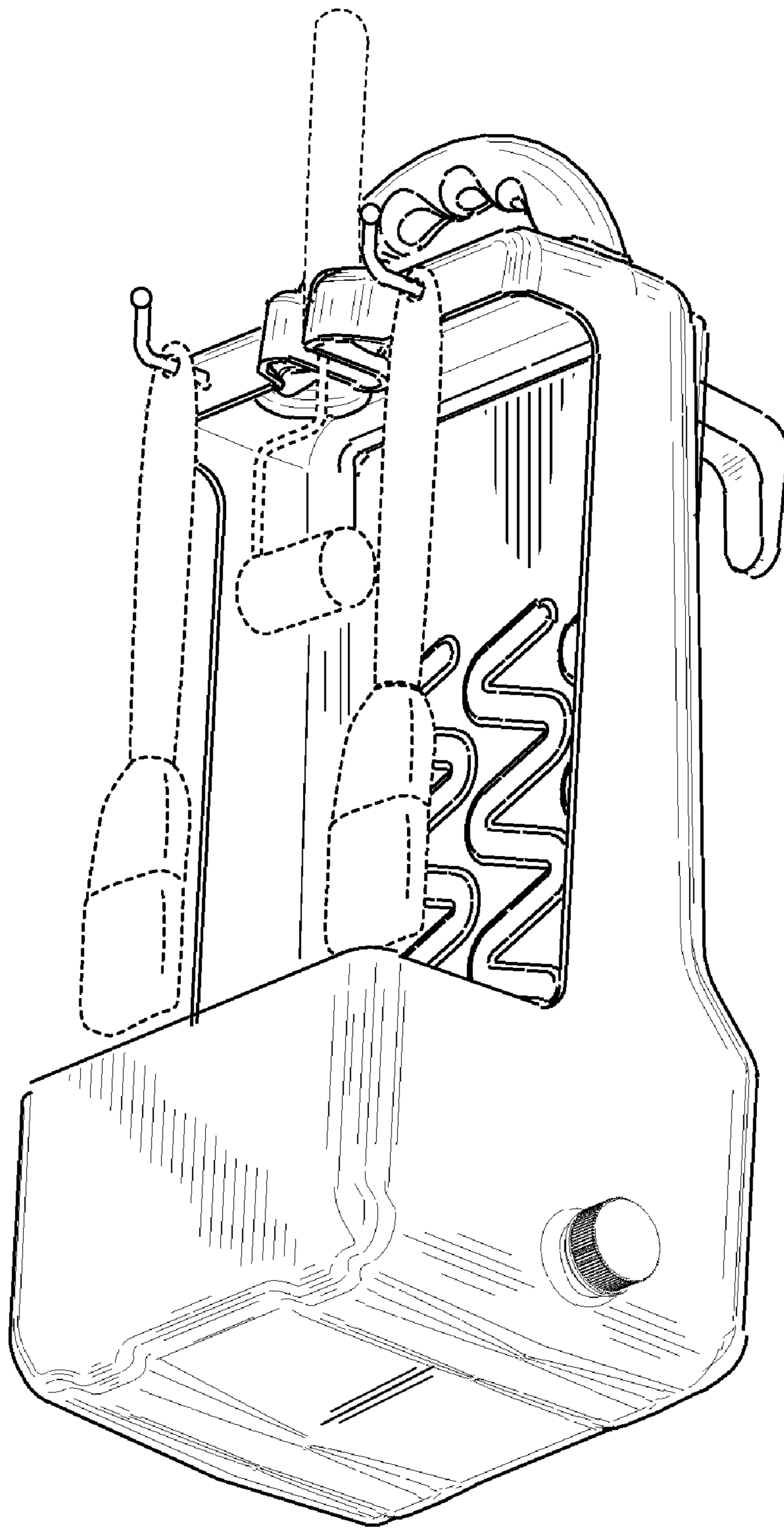


FIG. 10