

US00D569066S

(12) **United States Design Patent**  
**Crevling, Jr. et al.**

(10) **Patent No.:** **US D569,066 S**

(45) **Date of Patent:** **\*\* May 13, 2008**

(54) **VACUUM CLEANER**

(75) Inventors: **Robert Lent Crevling, Jr.**,  
Williamsport, PA (US); **Kevin D. Fry**,  
South Williamsport, PA (US); **John**  
**Griffin**, Phoenix, AZ (US)

(73) Assignee: **Shop-Vac Corporation**, Williamsport,  
PA (US)

(\*\*) Term: **14 Years**

(21) Appl. No.: **29/266,502**

(22) Filed: **Sep. 22, 2006**

(51) **LOC (8) Cl.** ..... **15-05**

(52) **U.S. Cl.** ..... **D32/31**

(58) **Field of Classification Search** ..... D32/21,  
D32/23-24, 31, 15-16; D23/225; 15/320-321,  
15/353, 323, 327.1-327.7, 329, 339, 412,  
15/340.2, 344, 347; 55/DIG. 2

See application file for complete search history.

(56) **References Cited**

**U.S. PATENT DOCUMENTS**

D426,359 S	6/2000	Griffin et al.	
D426,360 S	6/2000	Griffin et al.	
D426,687 S	6/2000	Griffin et al.	
D429,042 S	8/2000	Griffin et al.	
D429,855 S	8/2000	Griffin	
D429,857 S	8/2000	Griffin	
D430,367 S	8/2000	Griffin	
D430,713 S	9/2000	Griffin	
D434,537 S	11/2000	Griffin et al.	
D438,678 S	3/2001	Griffin	
D439,710 S *	3/2001	Griffin	..... D32/31
D444,274 S	6/2001	Griffin	
D444,276 S *	6/2001	Griffin	..... D32/31
D445,548 S	7/2001	Griffin	
D446,892 S	8/2001	Griffin	
D447,292 S	8/2001	Griffin	
D447,293 S	8/2001	Griffin	
D447,842 S	9/2001	Griffin	
D447,843 S	9/2001	Griffin	
D447,844 S *	9/2001	Griffin	..... D32/31

D452,052 S	12/2001	Griffin	
D454,672 S	3/2002	Griffin	
6,484,351 B2	11/2002	Griffin et al.	
D469,934 S	2/2003	Fry et al.	
D470,279 S	2/2003	Griffin et al.	
D470,280 S	2/2003	Griffin et al.	
D470,281 S	2/2003	Griffin et al.	
6,530,116 B2	3/2003	Berfield et al.	
D479,371 S	9/2003	Griffin et al.	
D479,372 S *	9/2003	Griffin	..... D32/23
D506,042 S	6/2005	Griffin et al.	
D506,044 S	6/2005	Griffin	
D506,857 S	6/2005	Griffin	
D507,386 S *	7/2005	Griffin et al.	..... D32/21
D507,388 S	7/2005	Griffin	
D512,545 S	12/2005	Griffin	
D521,700 S	5/2006	Griffin	
D527,503 S	8/2006	Griffin et al.	
D527,504 S *	8/2006	Griffin et al.	..... D32/21
D528,255 S *	9/2006	Griffin et al.	..... D32/21

\* cited by examiner

*Primary Examiner*—Ruth McInroy

(74) *Attorney, Agent, or Firm*—Marshall, Gerstein & Borun  
LLP

(57) **CLAIM**

The ornamental design for a vacuum cleaner, as shown and described.

**DESCRIPTION**

FIG. 1 is an isometric view of a vacuum cleaner showing our new design;

FIG. 2 is a front elevational view thereof;

FIG. 3 is a left side elevational view thereof;

FIG. 4 is a right side elevational view thereof;

FIG. 5 is a rear elevational view thereof; and,

FIG. 6 is a top plan view thereof.

The bottom of the vacuum cleaner forms no part of the claimed design. The broken lines in FIGS. 1-5 are for illustrative purposes only and form no part of the claimed design.

**1 Claim, 6 Drawing Sheets**

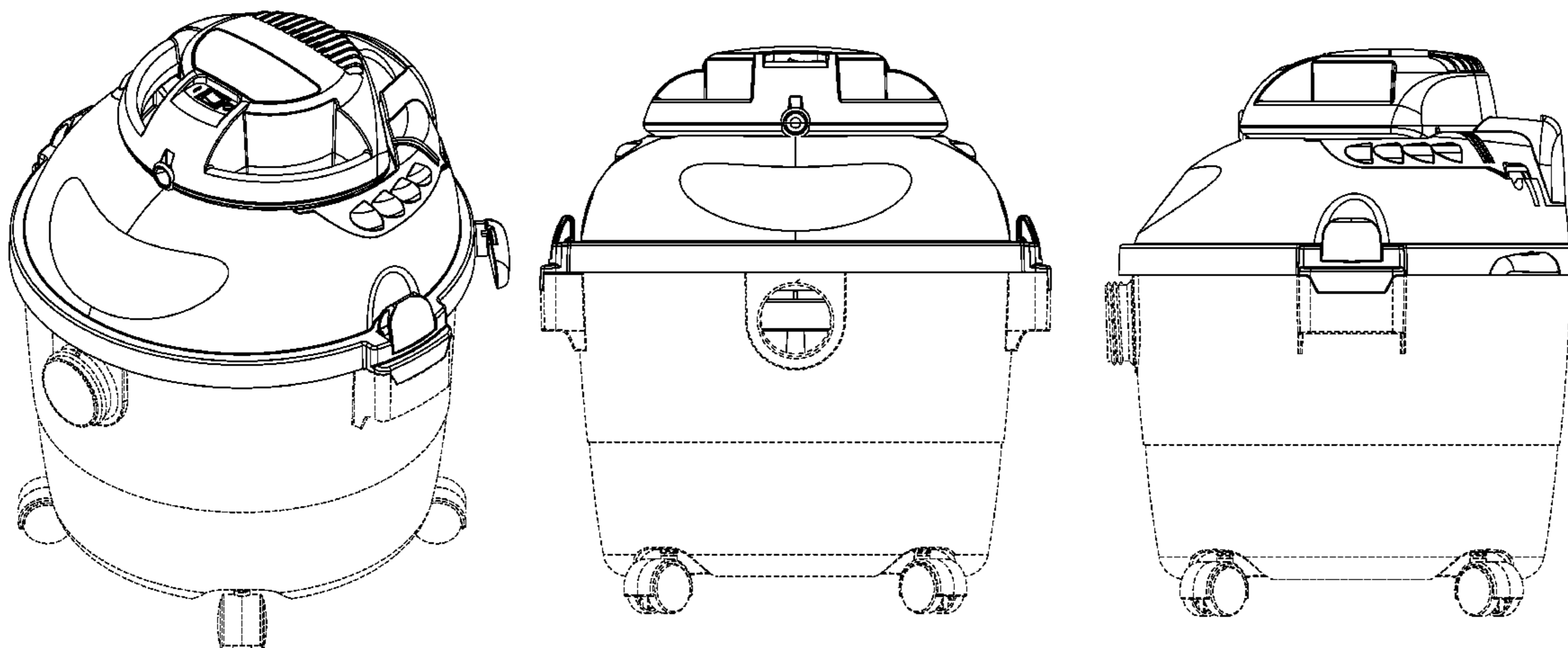
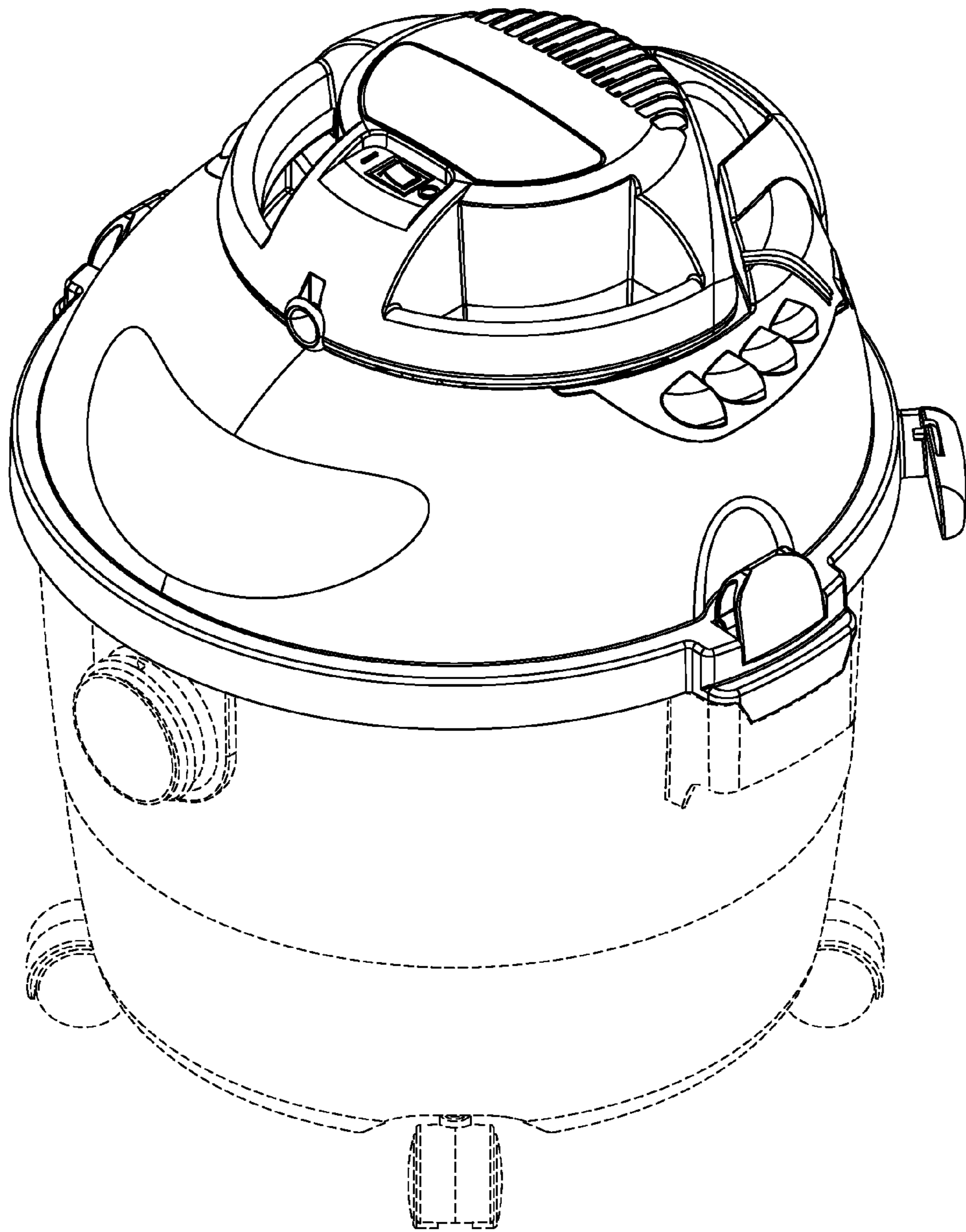
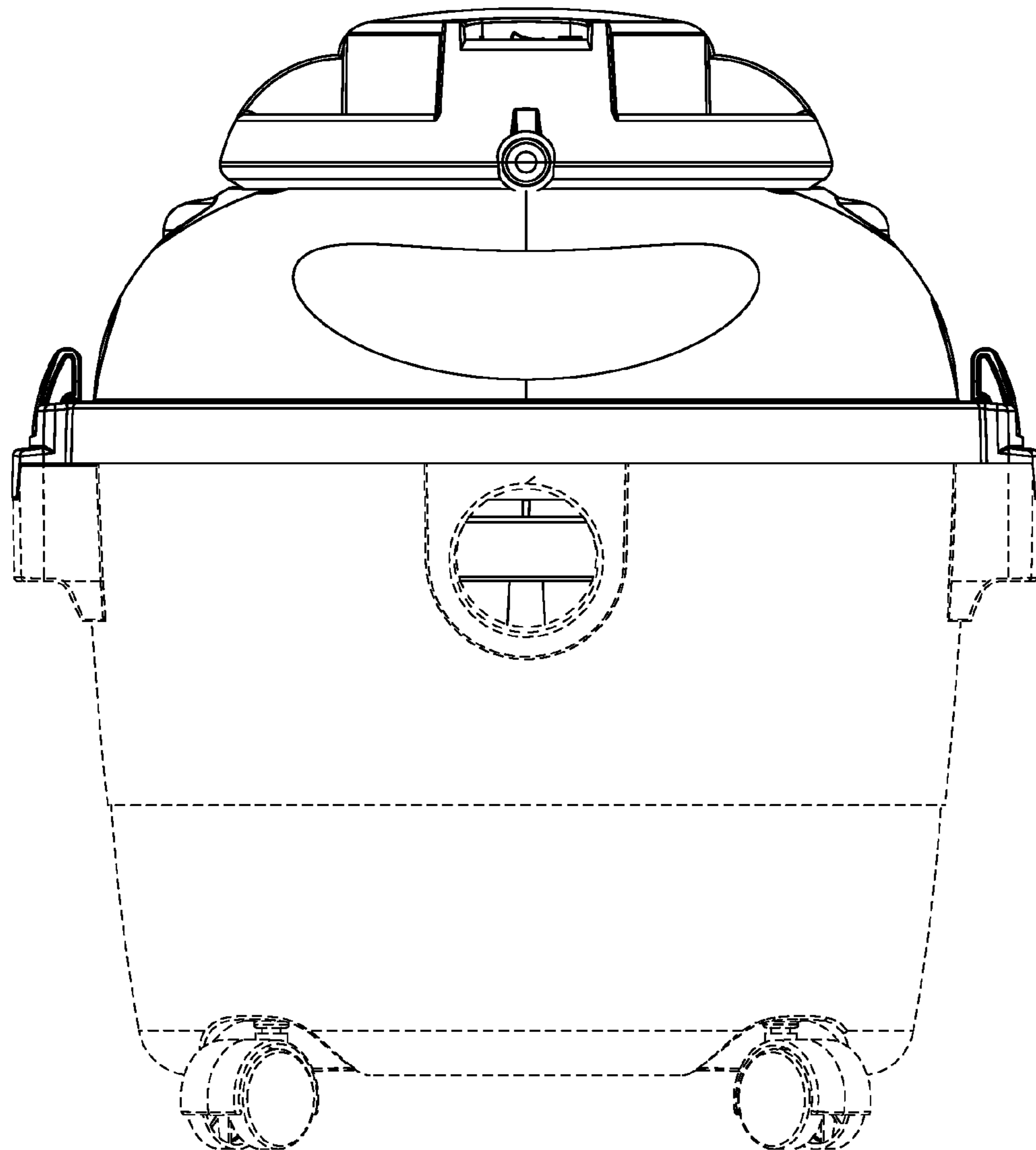


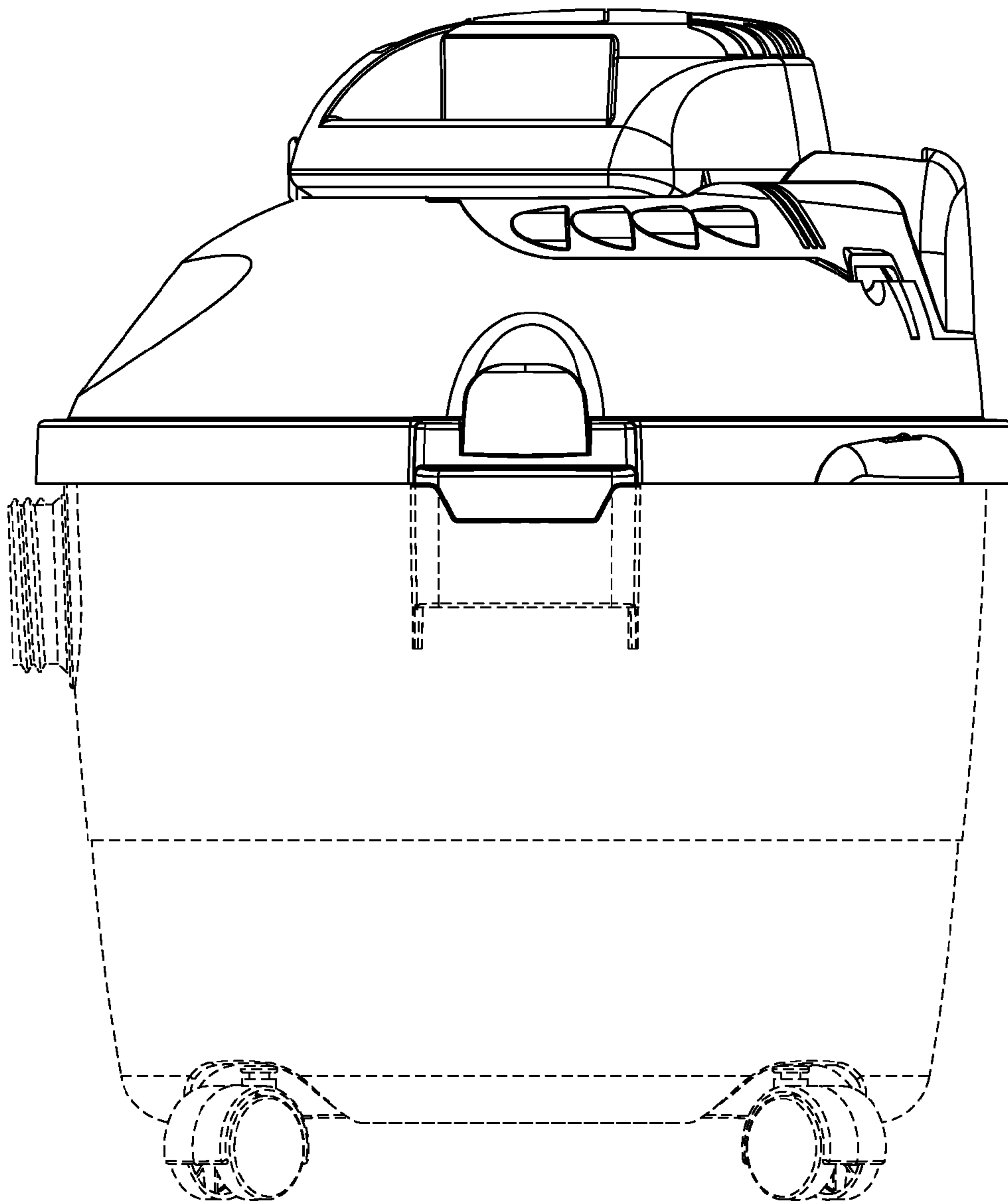
FIG. 1



**FIG. 2**



**FIG. 3**



**FIG. 4**

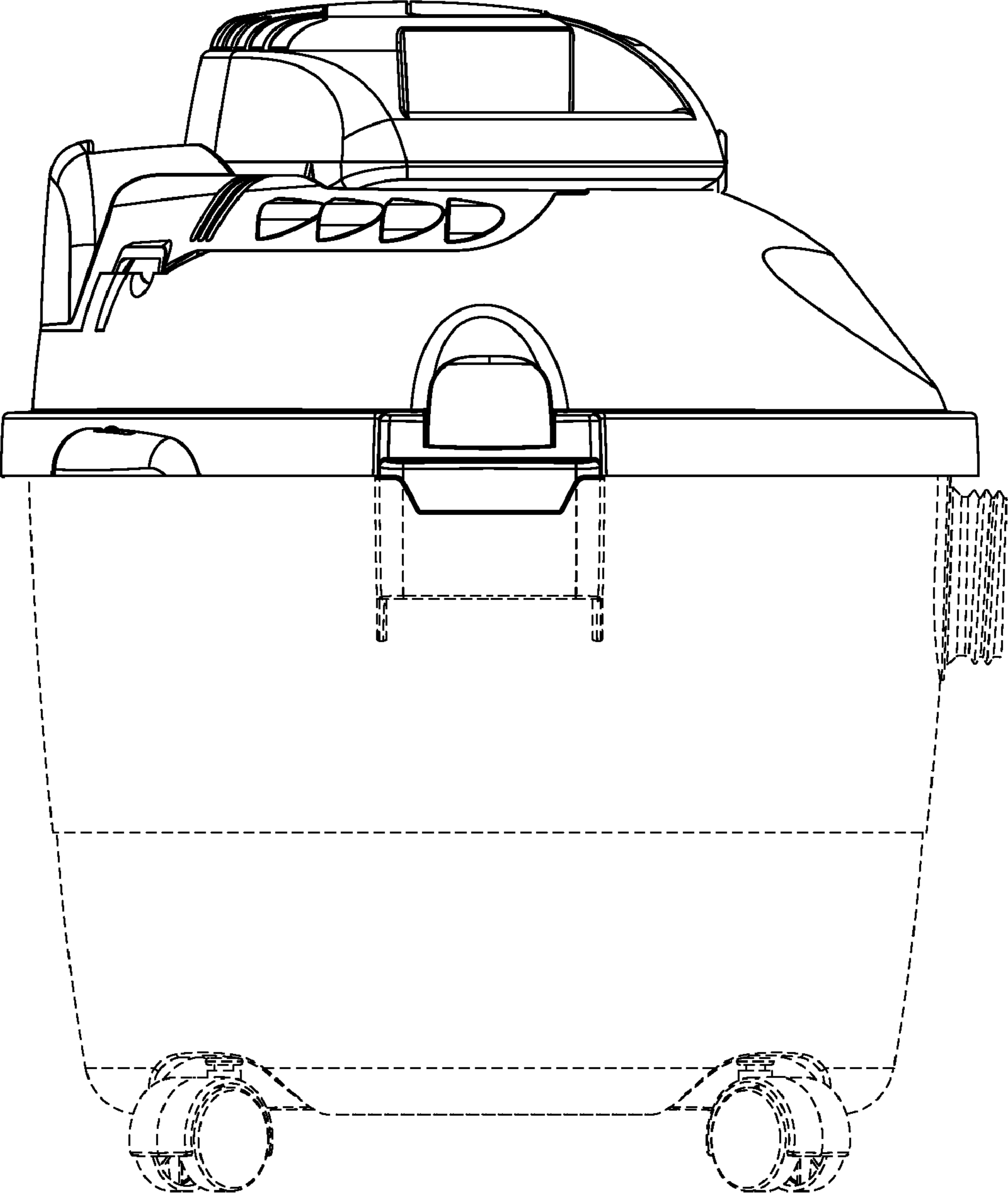
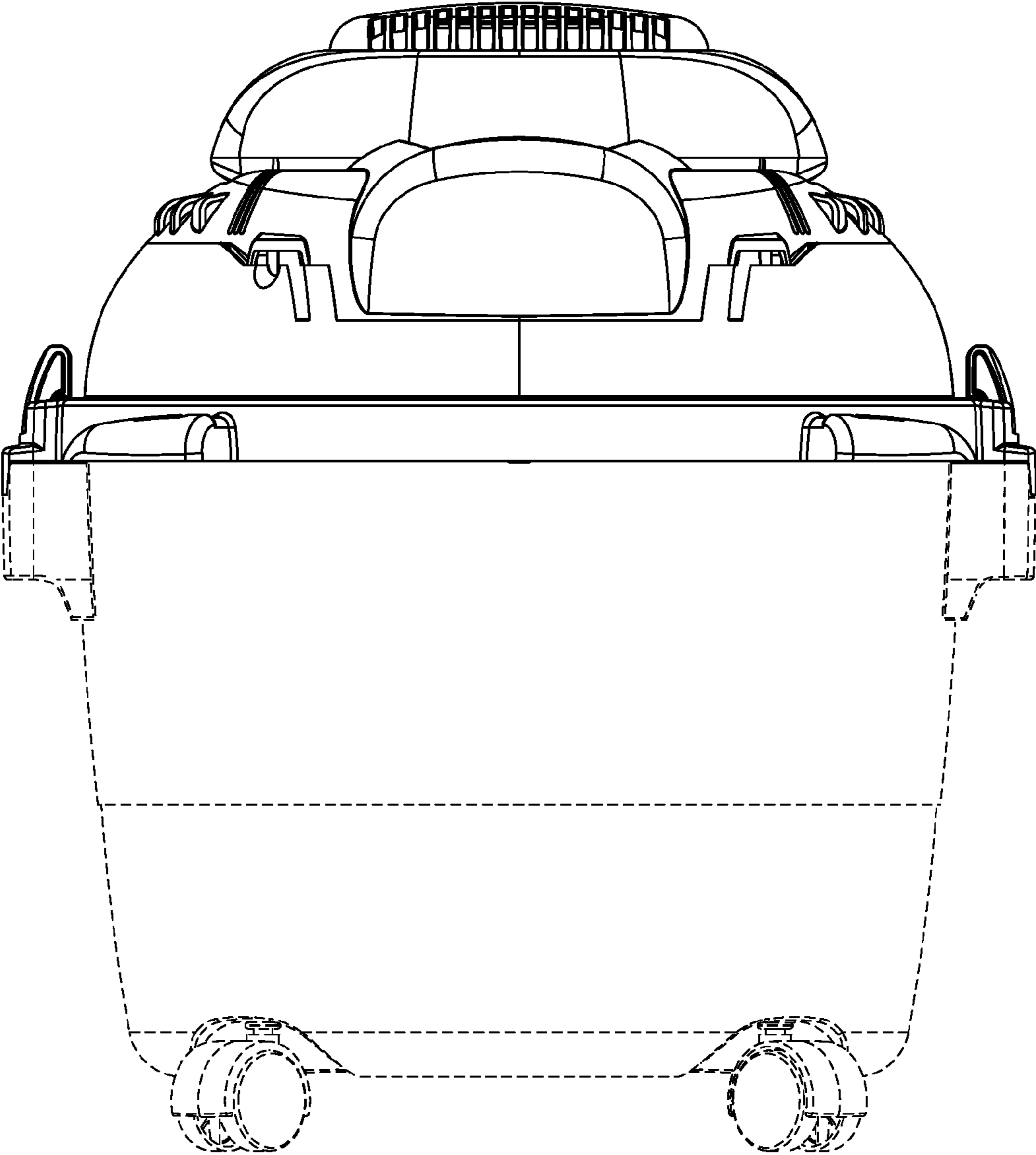


FIG. 5



**FIG. 6**

