



US00D569065S

(12) **United States Design Patent**  
**Ritterling**

(10) **Patent No.:** **US D569,065 S**

(45) **Date of Patent:** **\*\* May 13, 2008**

(54) **LAUNDRY MACHINE PEDESTAL WITH  
DRAWER**

DE 42 28 469 A1 5/1993  
EP 1 233 100 A1 8/2002  
FR 2 736 942 A1 7/1995

(75) Inventor: **Douglas K. Ritterling**, Anderson, SC  
(US)

\* cited by examiner

(73) Assignee: **Electrolux Home Products, Inc.**,  
Cleveland, OH (US)

*Primary Examiner*—Louis S. Zarfes

*Assistant Examiner*—Kathleen Sims

(74) *Attorney, Agent, or Firm*—Pearne & Gordon LLP

(\*\*) Term: **14 Years**

(21) Appl. No.: **29/255,460**

(57) **CLAIM**

(22) Filed: **Mar. 7, 2006**

The ornamental design for a laundry machine pedestal with  
drawer, as shown and described.

(51) **LOC (8) Cl.** ..... **15-05**

(52) **U.S. Cl.** ..... **D32/25**

(58) **Field of Classification Search** ..... D32/1–2,  
D32/6–10, 25, 3, 5, 12; D6/445, 446, 510,  
D6/463; D7/339, 348, 349; 68/3 R, 5 R,  
68/12.01, 4, 212; 34/523–524; 312/31  
See application file for complete search history.

**DESCRIPTION**

FIG. 1 is a perspective view of my new laundry machine  
pedestal with drawer;

FIG. 2 is a front view thereof;

FIG. 3 is a top view thereof;

FIG. 4 is a right side view thereof, a left side view being a  
mirror image thereof;

FIG. 5 is a bottom view thereof;

FIG. 6 is a perspective view thereof, showing the drawer  
extended;

FIG. 7 is a rotated top view thereof;

FIG. 8 is a right side view thereof, a left side view being a  
mirror image thereof; and,

FIG. 9 is a rotated bottom view thereof.

The broken line showing of the top, sides, bottom, legs, as  
well as the drawer sides and interior, including dividers, seen  
in FIGS. 1–9, is included for the purpose of illustrating  
portions of the laundry pedestal with drawer and forms no  
part of the claimed design.

(56) **References Cited**

U.S. PATENT DOCUMENTS

D228,167 S *	8/1973	Holmes et al.	.....	D6/510
D326,381 S *	5/1992	Heiligenthal et al.	.....	D6/510
D458,780 S	6/2002	Siepmann et al.		
D460,224 S	7/2002	Richardson		
D474,566 S	5/2003	Baldwin et al.		
D477,154 S *	7/2003	Benn	.....	D6/446
D483,206 S *	12/2003	Schweikarth	.....	D6/510
D504,259 S *	4/2005	Arceta	.....	D6/510
D504,260 S *	4/2005	Arceta	.....	D6/510
D521,702 S *	5/2006	No et al.	.....	D32/25
D536,738 S *	2/2007	Smith	.....	D19/92
2004/0245899 A1 *	12/2004	Cho	.....	312/351.2

FOREIGN PATENT DOCUMENTS

DE 32 13 420 A1 10/1983

**1 Claim, 5 Drawing Sheets**

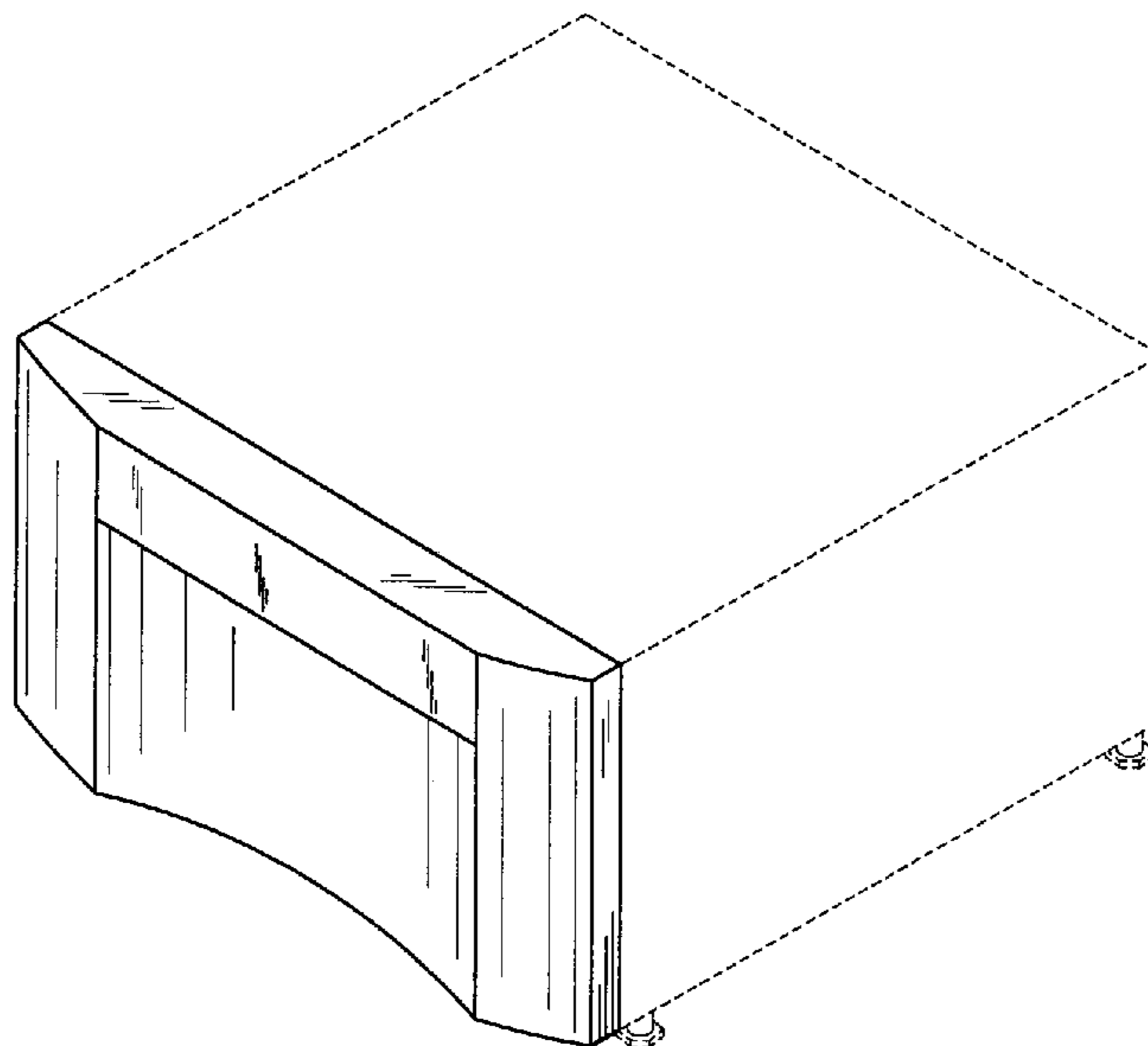


FIG. 1

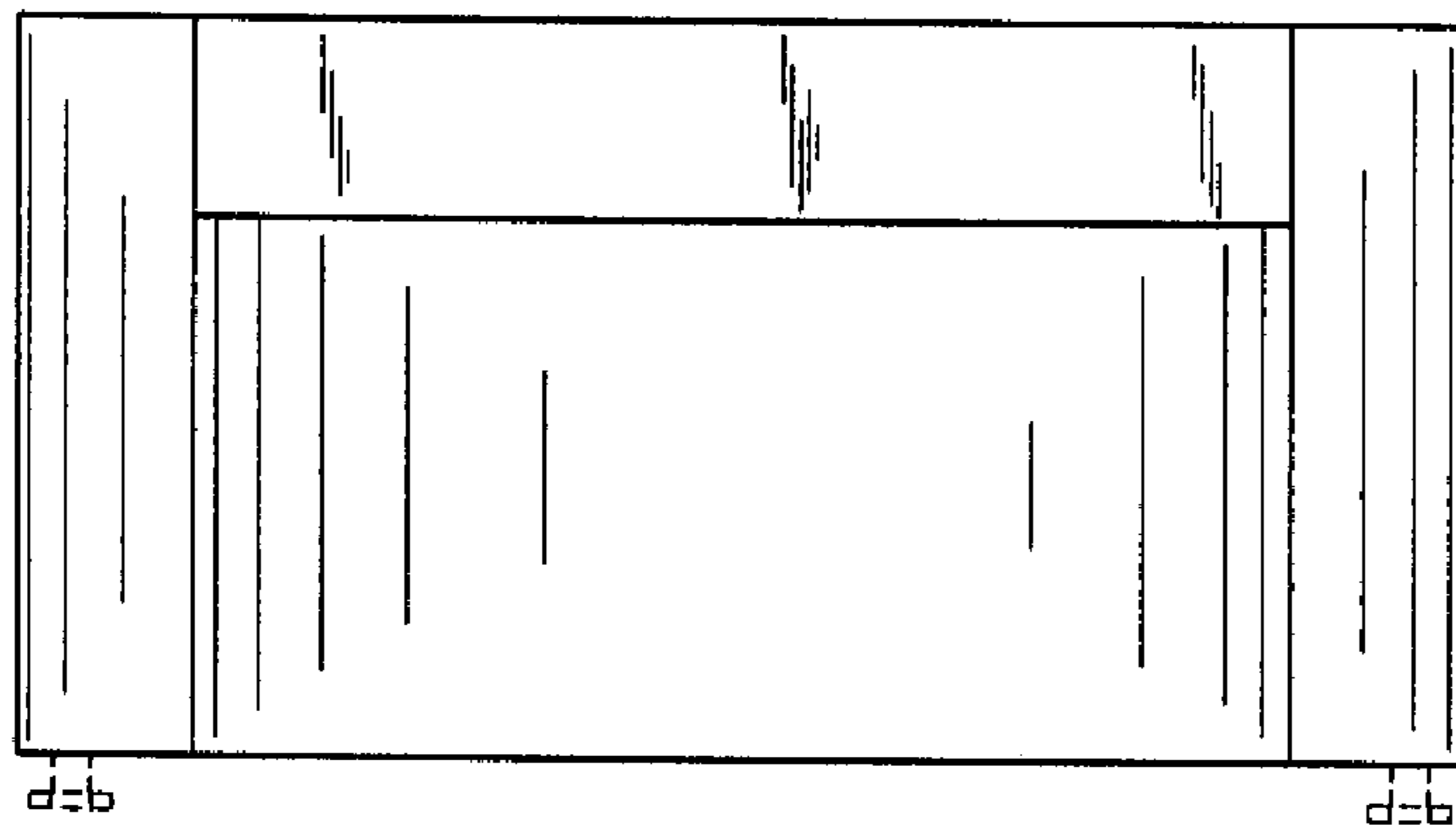
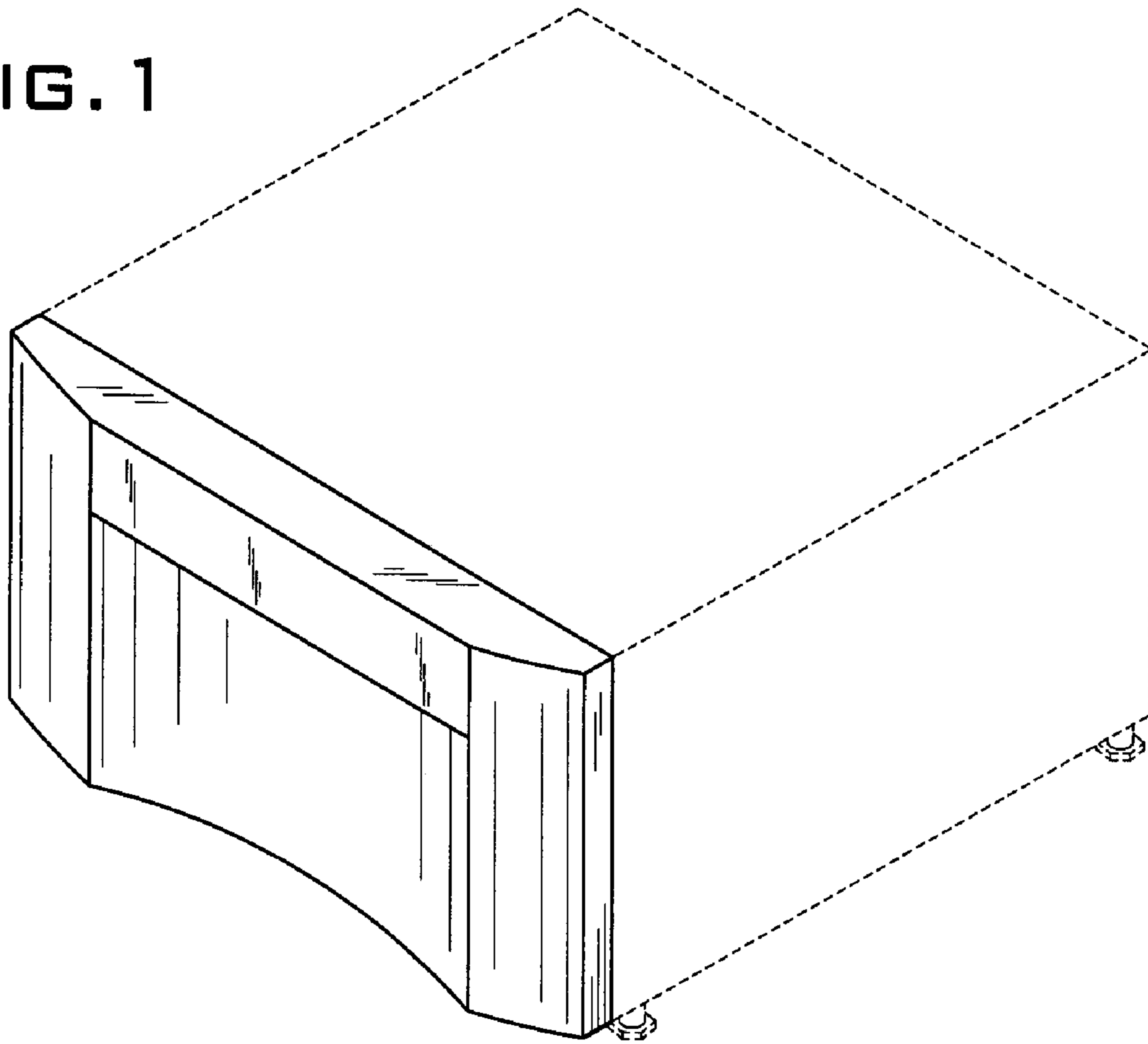


FIG. 2

FIG. 3

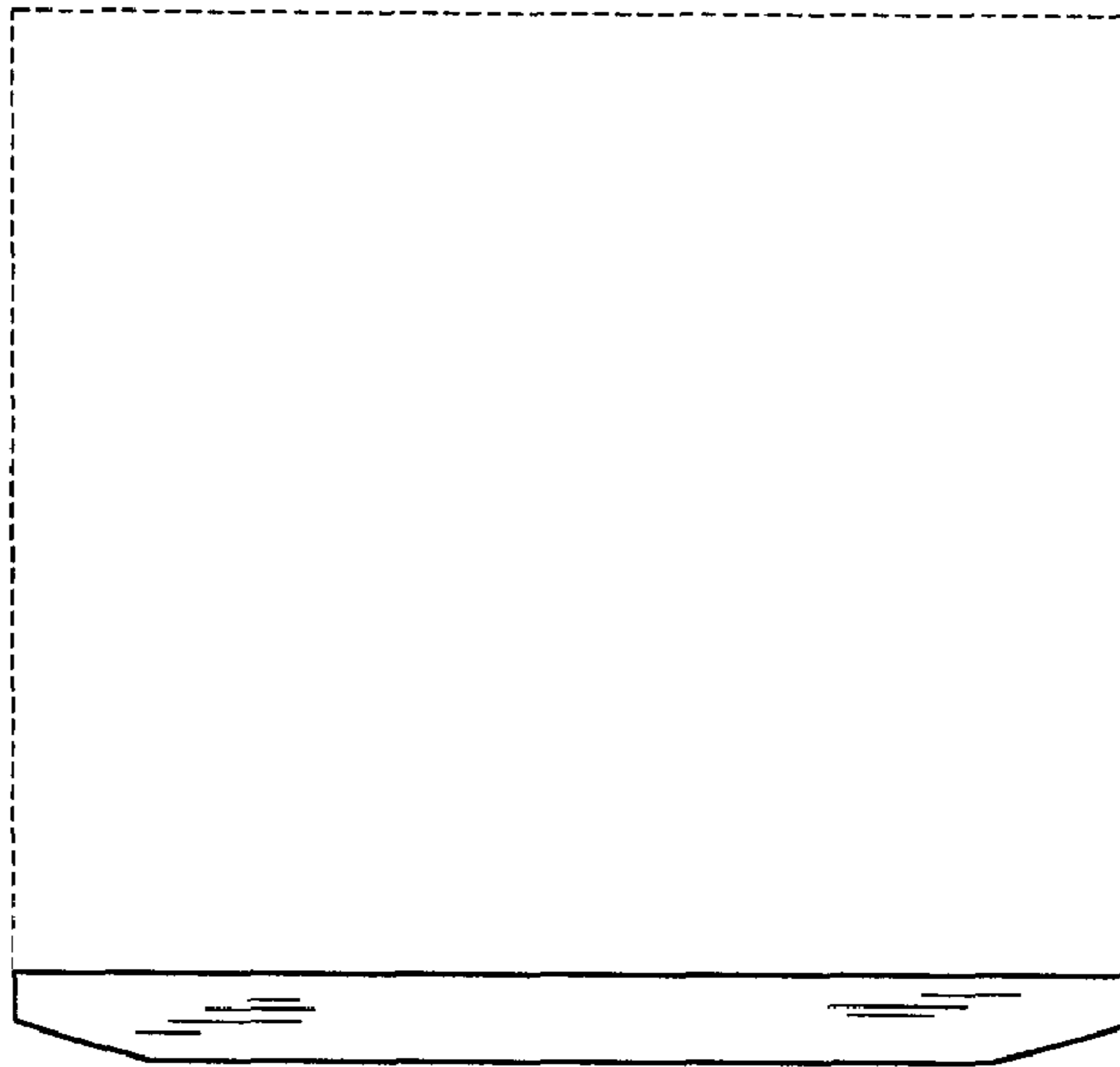


FIG. 4

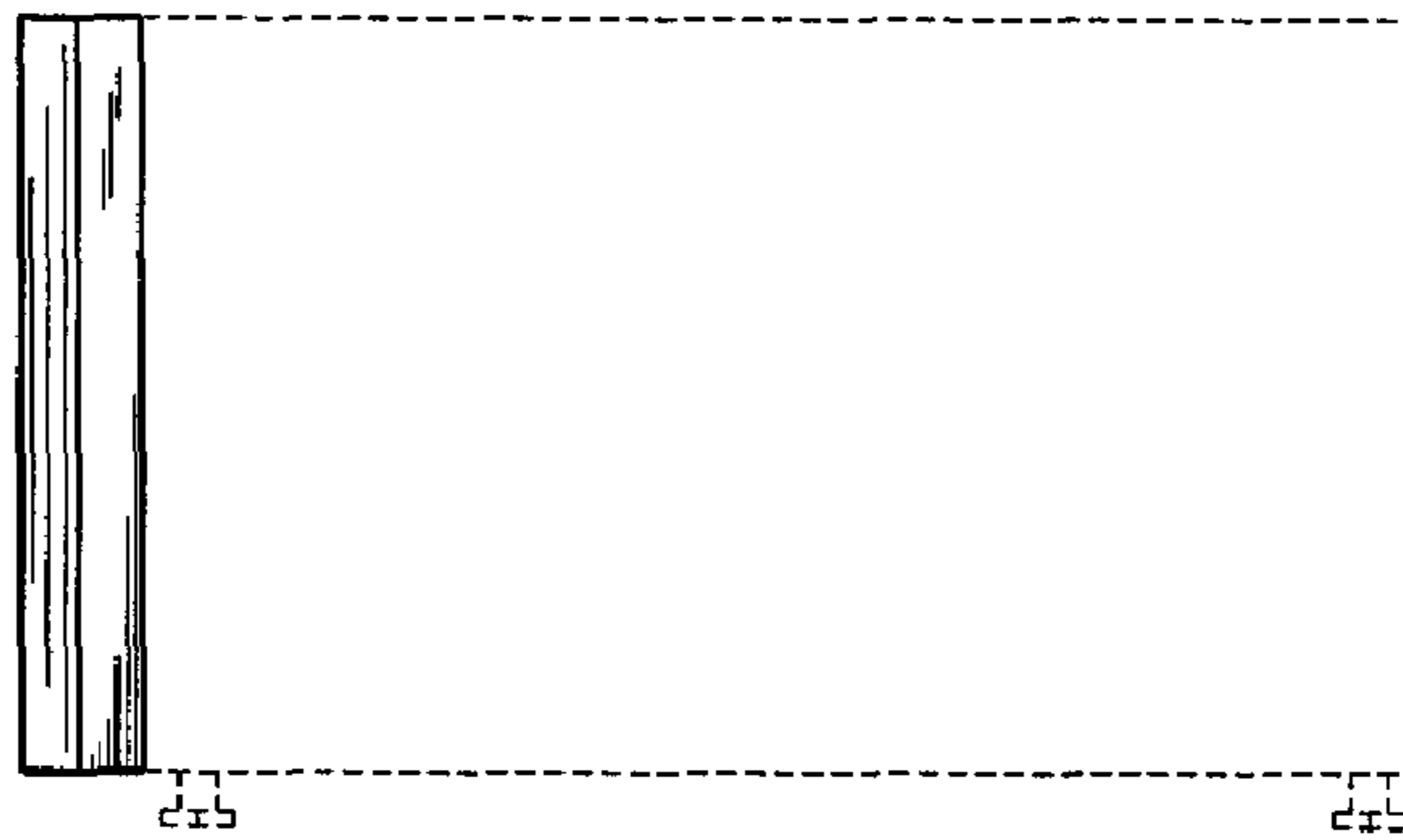
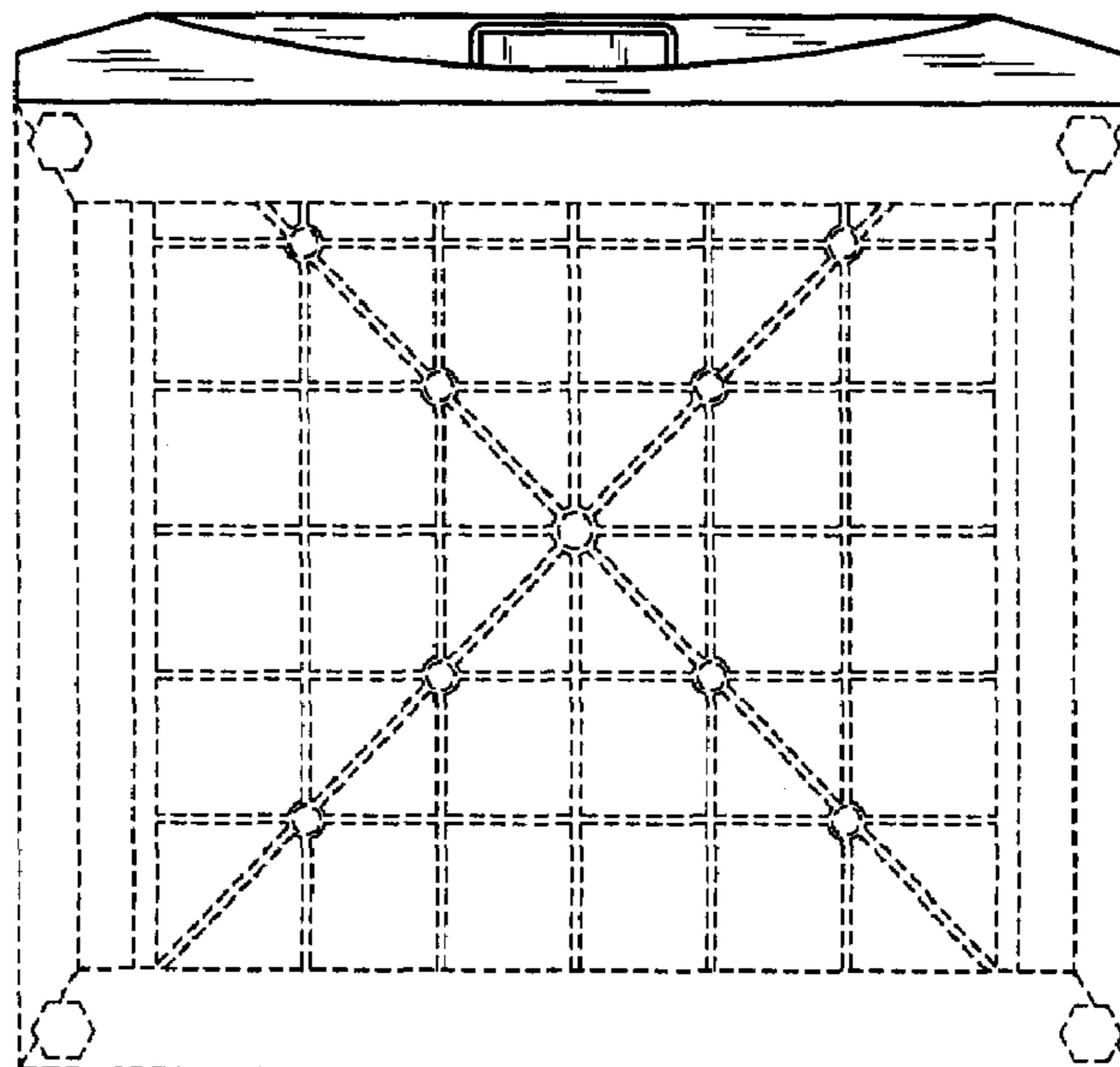


FIG. 5



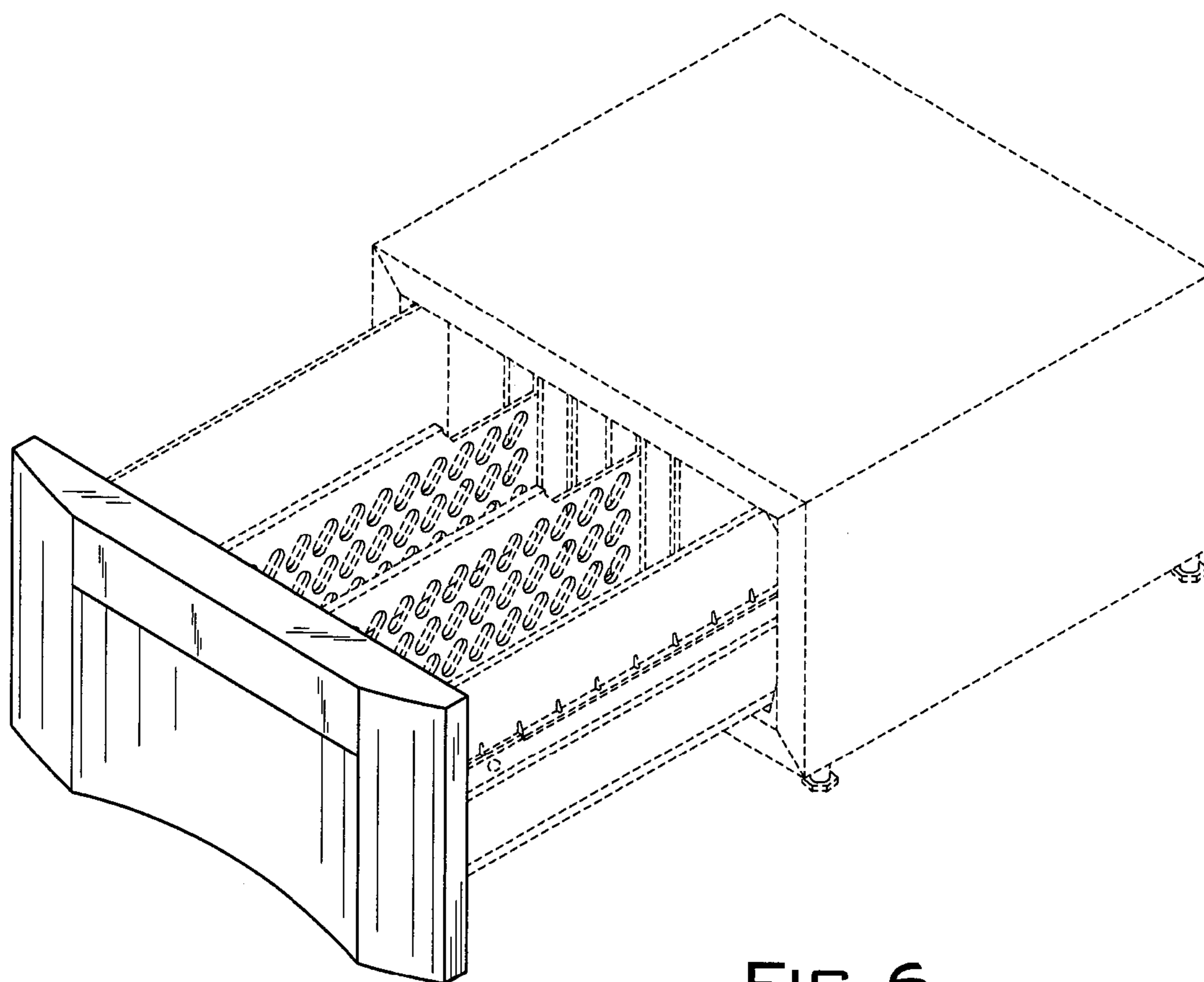


FIG. 6

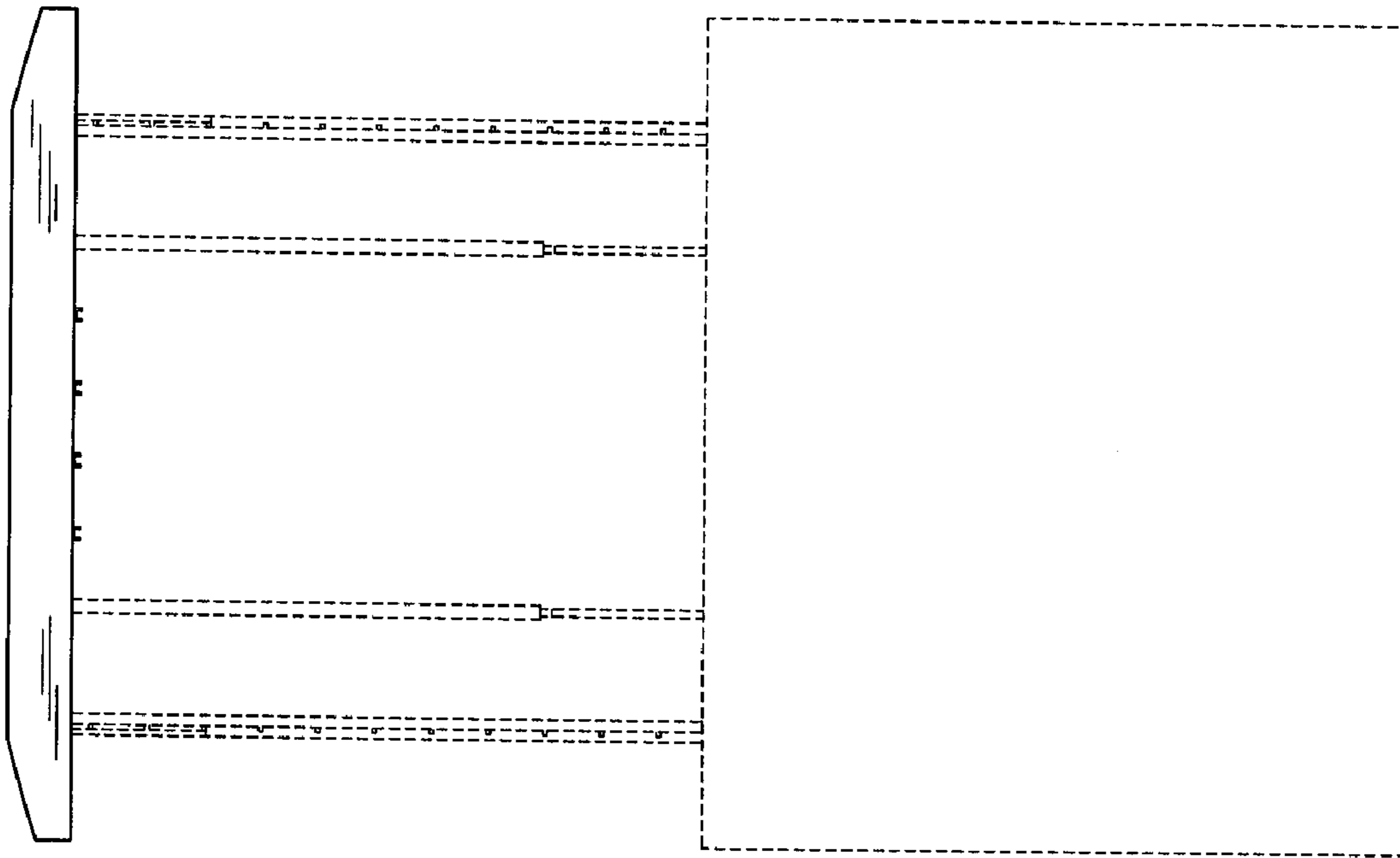


FIG. 7

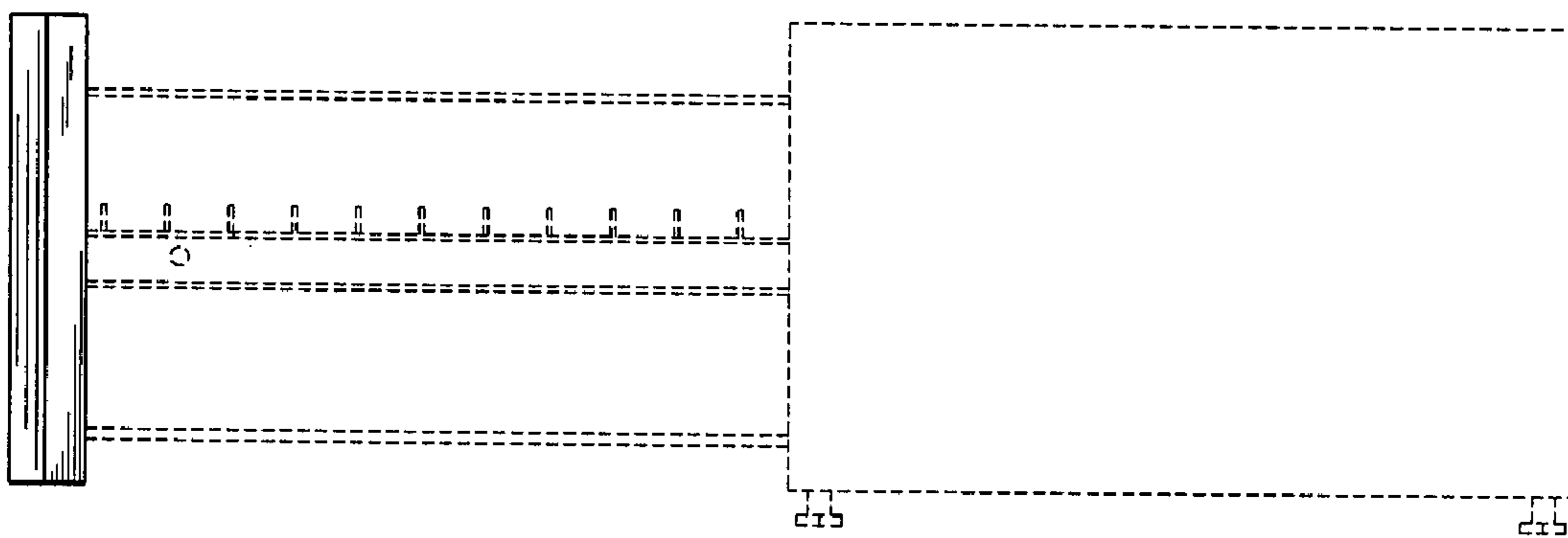


FIG. 8

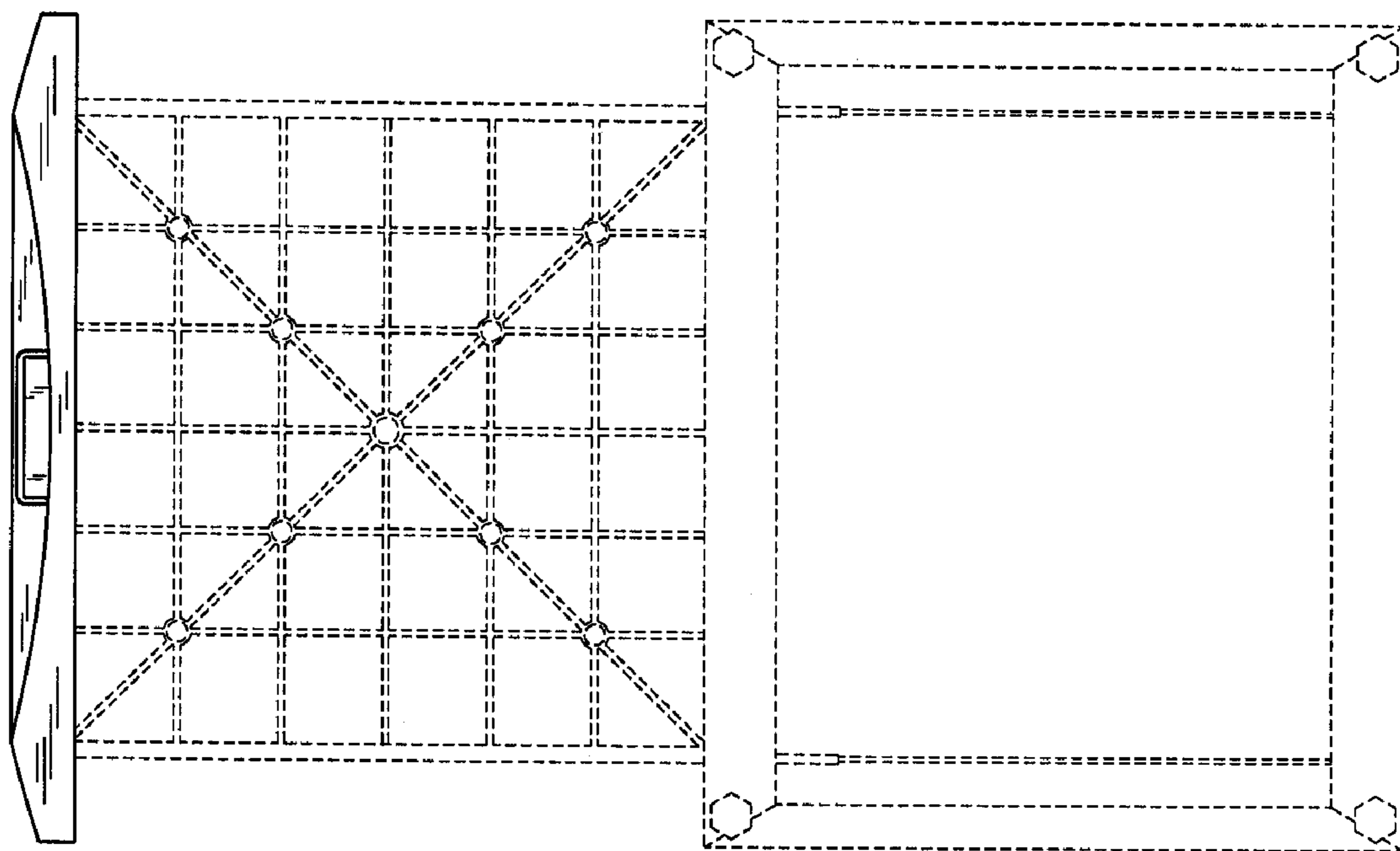


FIG. 9