



US00D569063S

(12) **United States Design Patent**
Schoettler

(10) **Patent No.:** **US D569,063 S**

(45) **Date of Patent:** **** May 13, 2008**

(54) **VACUUM CLEANER**

(75) **Inventor:** **John P. Schoettler**, Los Alamitos, CA
(US)

(73) **Assignee:** **Schoettler Research & Engineering**
Company, Huntington Beach, CA (US)

(**) **Term:** **14 Years**

(21) **Appl. No.:** **29/236,561**

(22) **Filed:** **Aug. 10, 2005**

(51) **LOC (8) Cl.** **15-05**

(52) **U.S. Cl.** **D32/24**

(58) **Field of Classification Search** D32/21,
D32/23-24, 31; 15/314-315, 319, 320-323,
15/340.1, 327.1, 327.6, 327.7, 345, 347,
15/353, 355, 388, 410-412; 55/345, 429
See application file for complete search history.

(56) **References Cited**

U.S. PATENT DOCUMENTS

- D208,529 S 9/1967 Schoettler
- D279,321 S 6/1985 Schoettler
- D318,544 S 7/1991 Schoettler
- D399,616 S * 10/1998 Bobrosky et al. D32/21

- D416,113 S * 11/1999 Puri D32/21
- D424,764 S * 5/2000 Collins et al. D32/21
- D432,746 S * 10/2000 Frey D32/24
- 6,145,160 A * 11/2000 Buss et al. 15/323
- D477,443 S * 7/2003 Kondo et al. D32/21

* cited by examiner

Primary Examiner—Ruth McInroy

(74) *Attorney, Agent, or Firm*—Christie, Parker & Hale,
LLP.

(57) **CLAIM**

The ornamental design for vacuum cleaner, as shown and described.

DESCRIPTION

FIG. 1 is a perspective view showing the side, top, and front of a vacuum cleaner embodying my design;

FIG. 2 is a side elevational view thereof; the opposite side of the vacuum cleaner is a mirror image of the view shown in FIG. 2;

FIG. 3 is a front elevational view thereof;

FIG. 4 is a rear elevational view thereof; and,

FIG. 5 is a top plan view thereof.

1 Claim, 5 Drawing Sheets

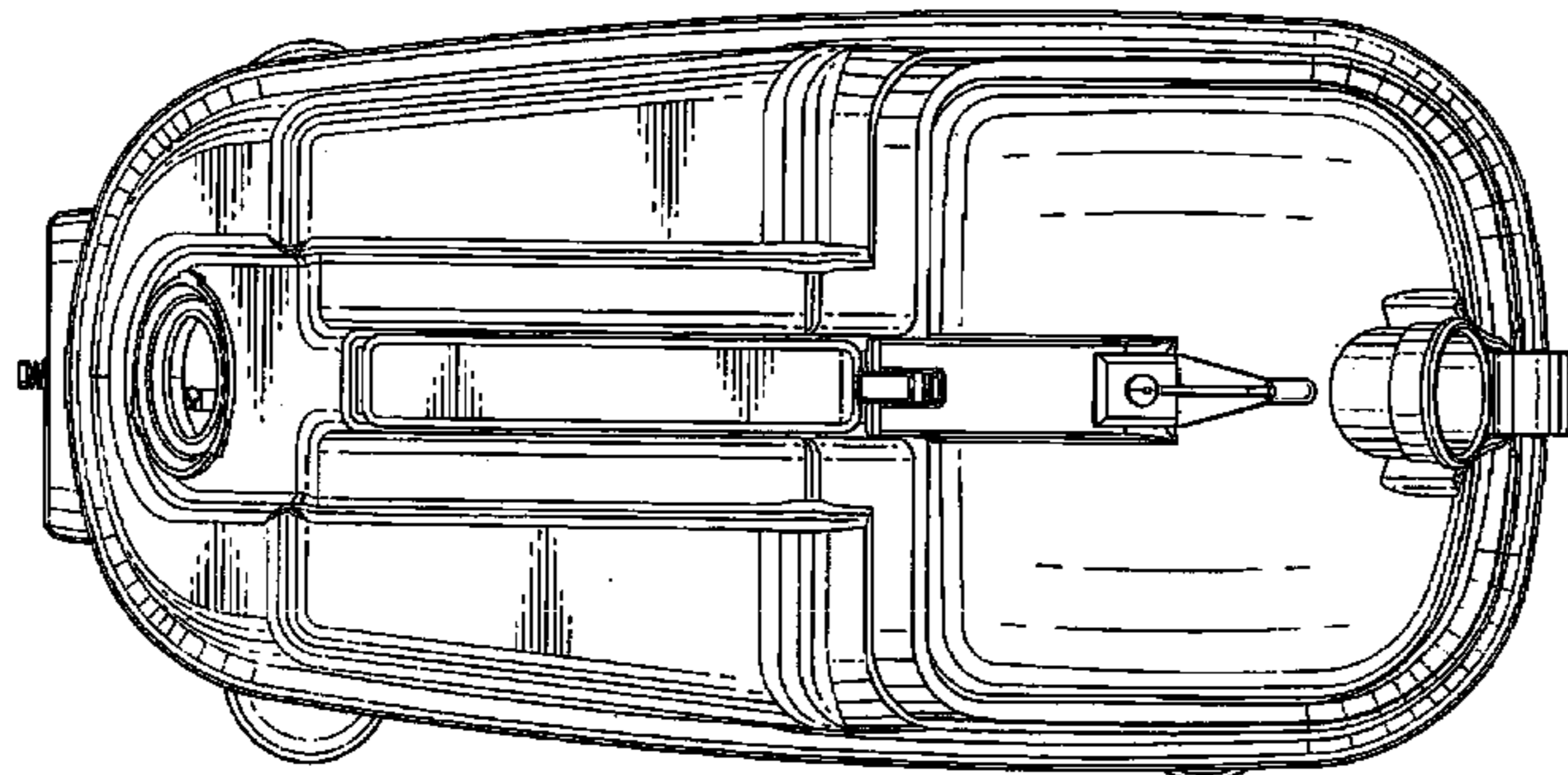
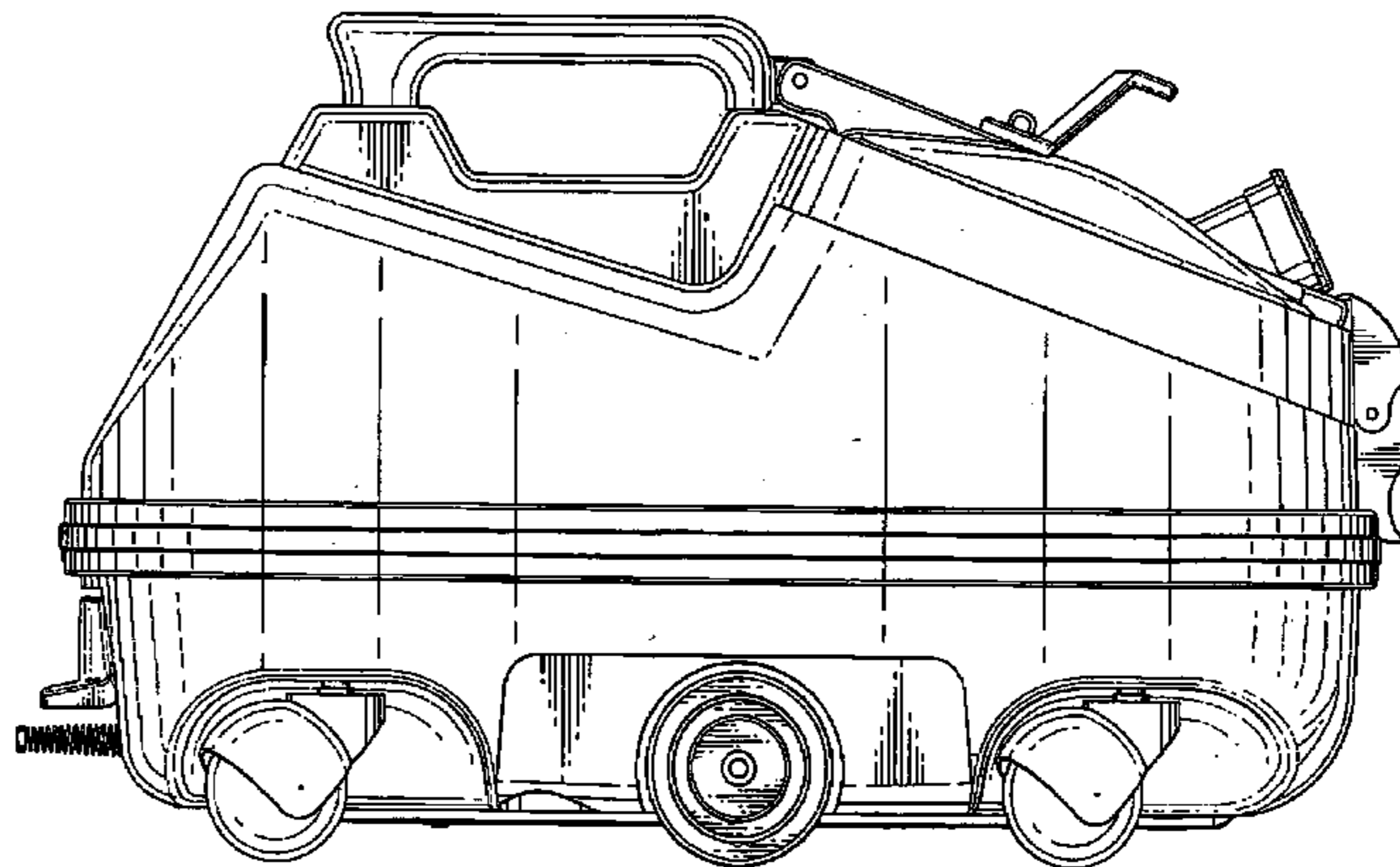
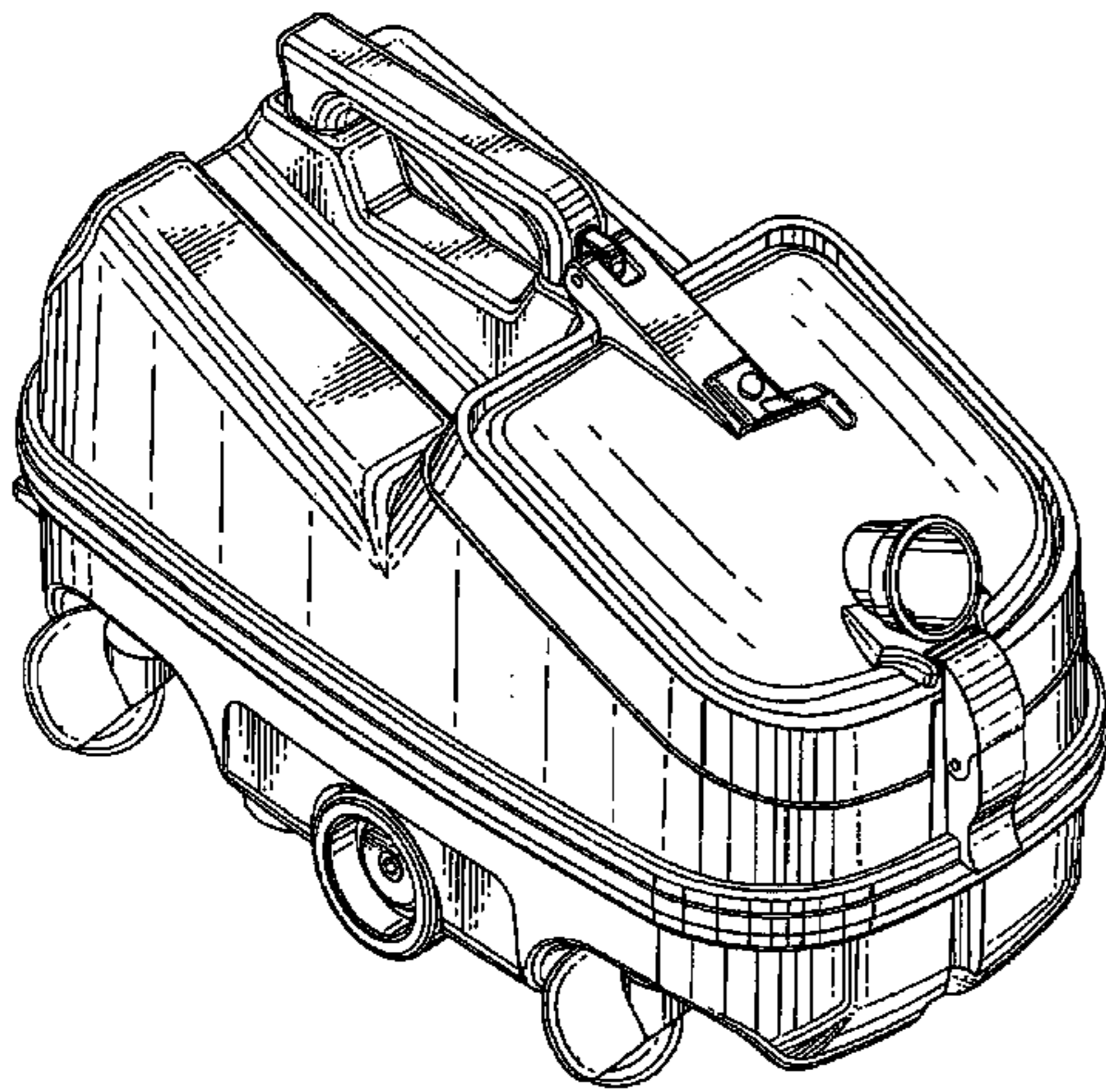


FIG. 1

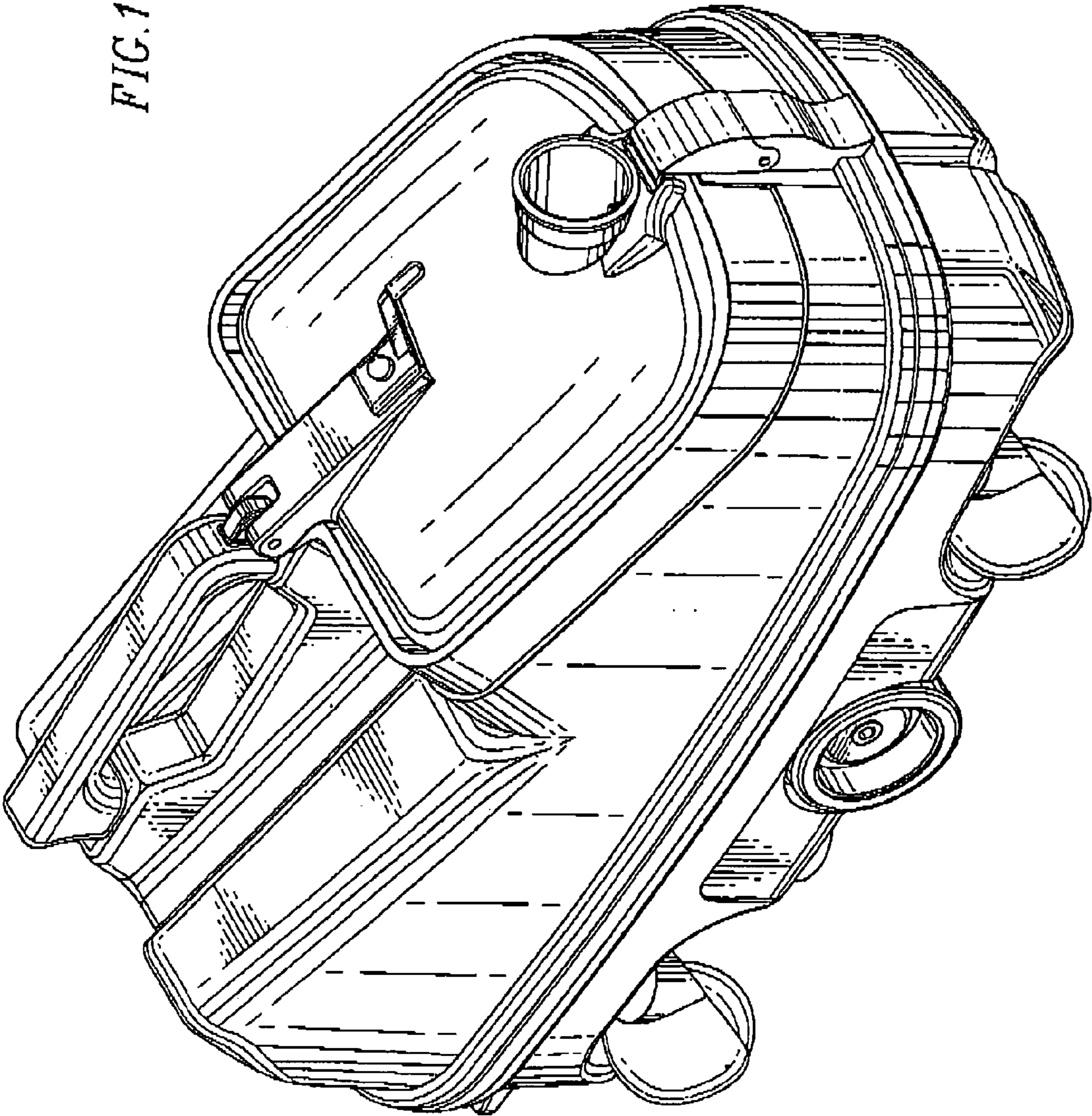
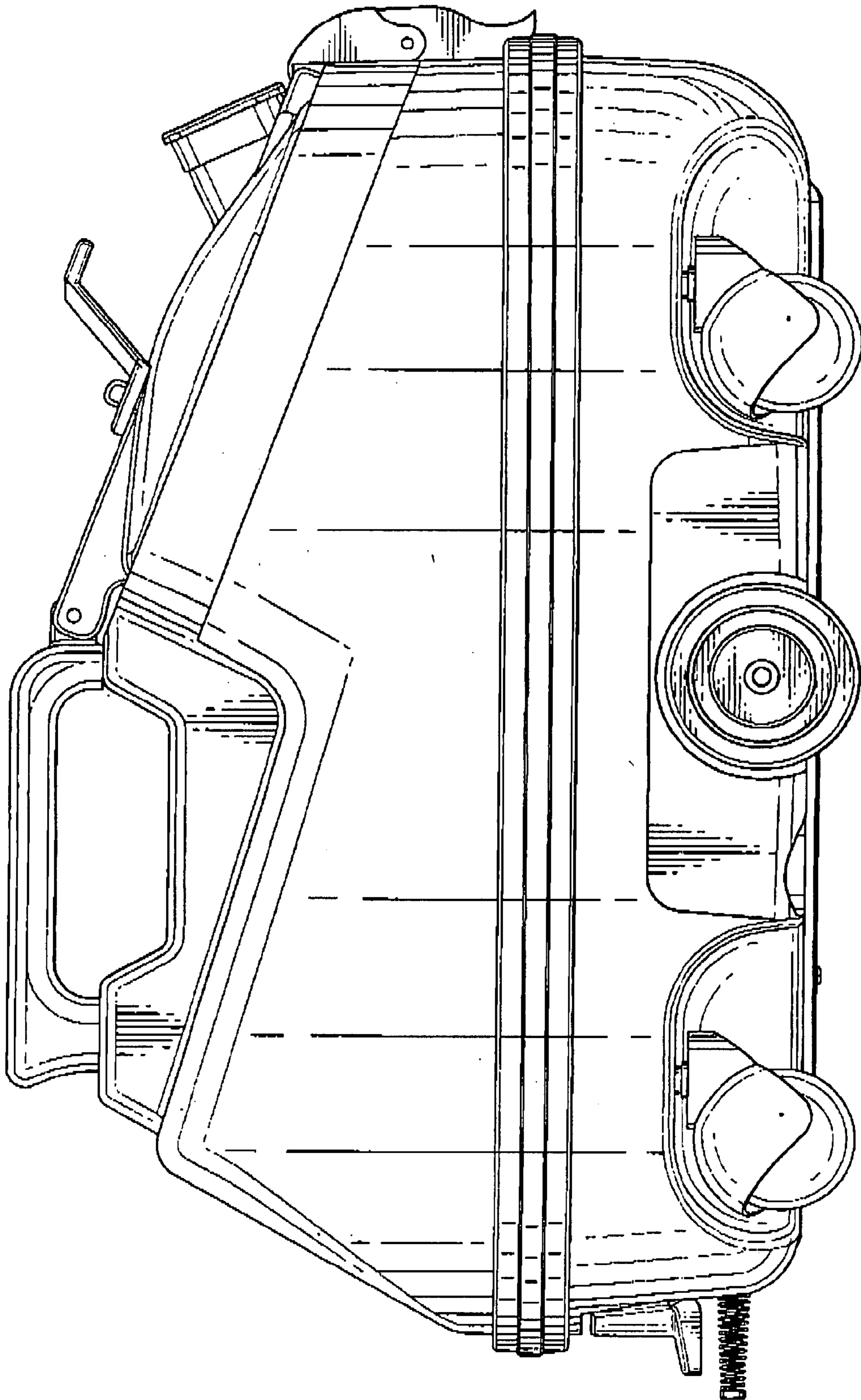


FIG. 2



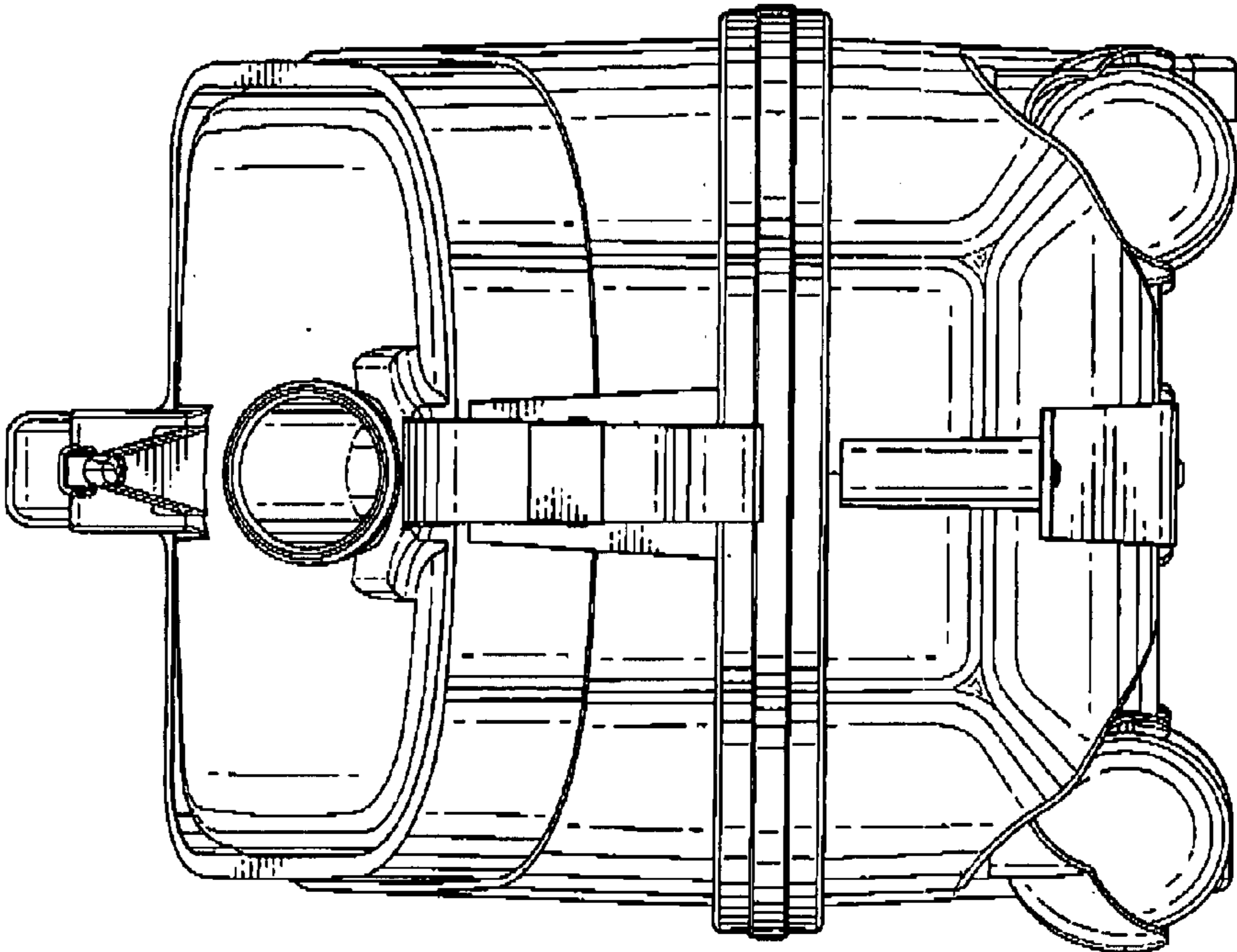


FIG. 3

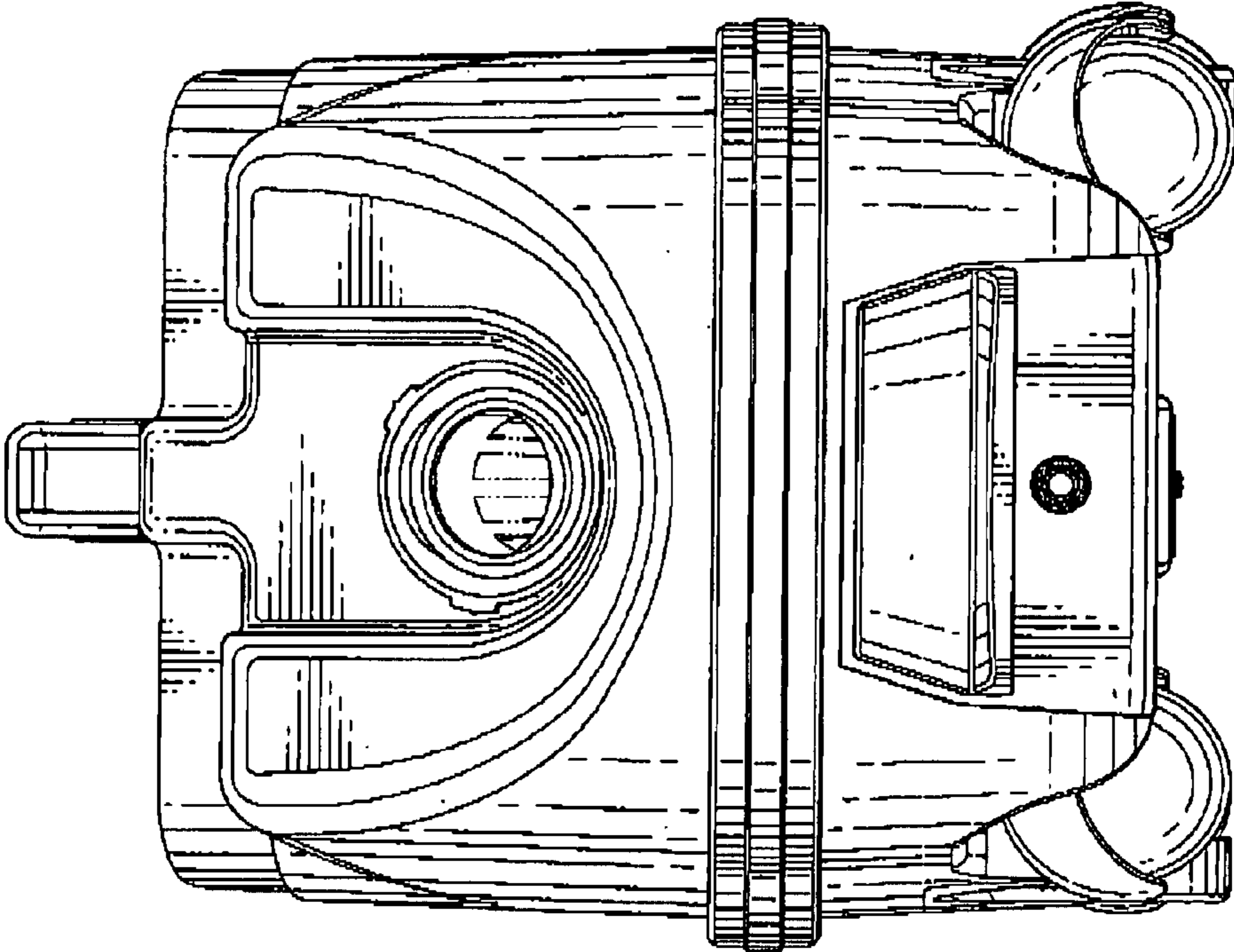


FIG. 4

FIG. 5

