

US00D569061S

(12) **United States Design Patent**
Nardone

(10) **Patent No.:** **US D569,061 S**

(45) **Date of Patent:** **** May 13, 2008**

(54) **VACUUM CLEANER**

(57) **CLAIM**

(76) Inventor: **Jennifer R. Nardone**, L13 B152 Casa Milan Neopolitan V, Commonwealth Avenue, North Fairview, Quezon City (PH) 1121

I claim the ornamental design for a vacuum cleaner, as shown and described.

(**) Term: **14 Years**

DESCRIPTION

(21) Appl. No.: **29/274,035**

FIG. 1 is a perspective view of a vacuum cleaner showing my new design with the handle in an open position;

(22) Filed: **Mar. 22, 2007**

FIG. 2 is a front view thereof;

(51) **LOC (8) Cl.** **15-05**

FIG. 3 is a right side view thereof;

(52) **U.S. Cl.** **D32/18**

FIG. 4 is a left side view thereof;

(58) **Field of Classification Search** D32/17-18, D32/21-22, 31-33; 15/320-321, 329, 344, 15/347, 350-353, 331, 338, 412, 415.1-422, 15/422.1; 55/429, DIG. 3

FIG. 5 is a top view thereof;

FIG. 6 is a rear view thereof;

See application file for complete search history.

FIG. 7 is a bottom view thereof;

FIG. 8 is a perspective view thereof with the handle in a closed position;

(56) **References Cited**

U.S. PATENT DOCUMENTS

- D353,916 S * 12/1994 Ho D32/18
- D358,009 S * 5/1995 Burkhardt D32/18
- D512,803 S * 12/2005 Kendrick D32/18
- D552,309 S * 10/2007 Houghton D32/18
- 2007/0033765 A1 * 2/2007 Walker et al. 15/344

FIG. 9 is a front view of FIG. 8;

FIG. 10 is a right side view of FIG. 8;

FIG. 11 is a left side view of FIG. 8;

FIG. 12 is a top view of FIG. 8;

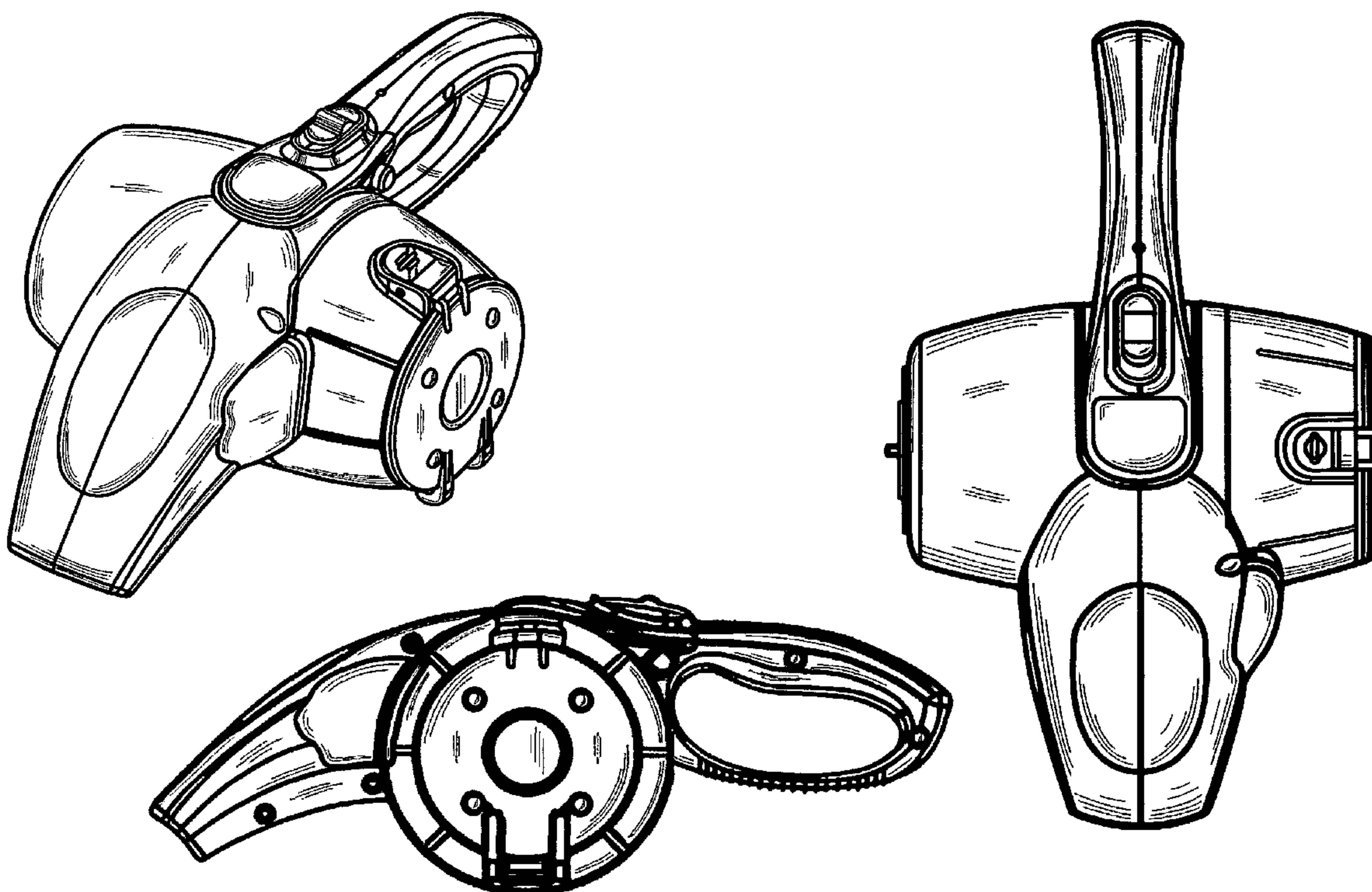
FIG. 13 is a rear view of FIG. 8; and,

FIG. 14 is a bottom view of FIG. 8.

* cited by examiner

Primary Examiner—Ruth McInroy

1 Claim, 14 Drawing Sheets



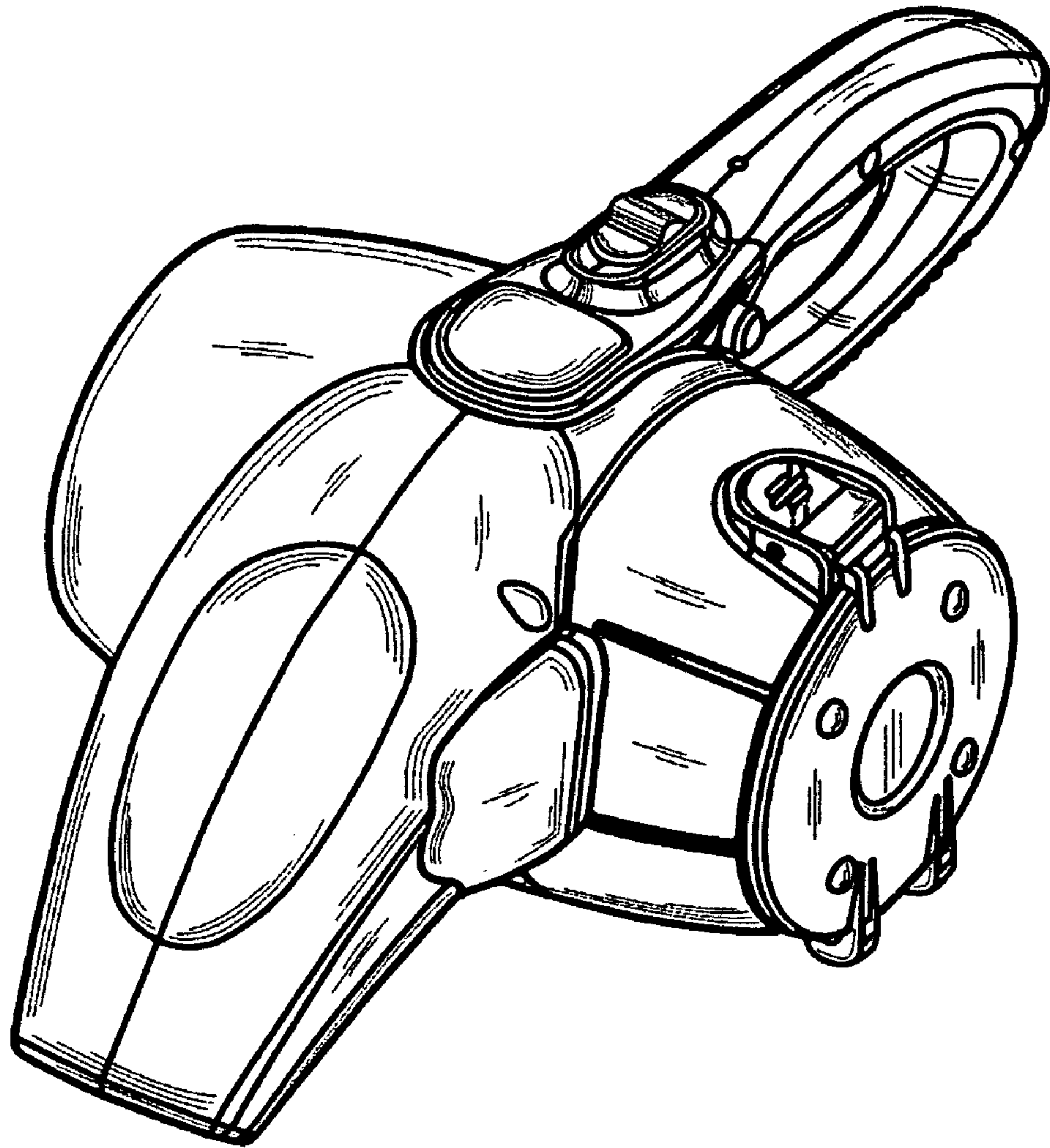


FIG. 1

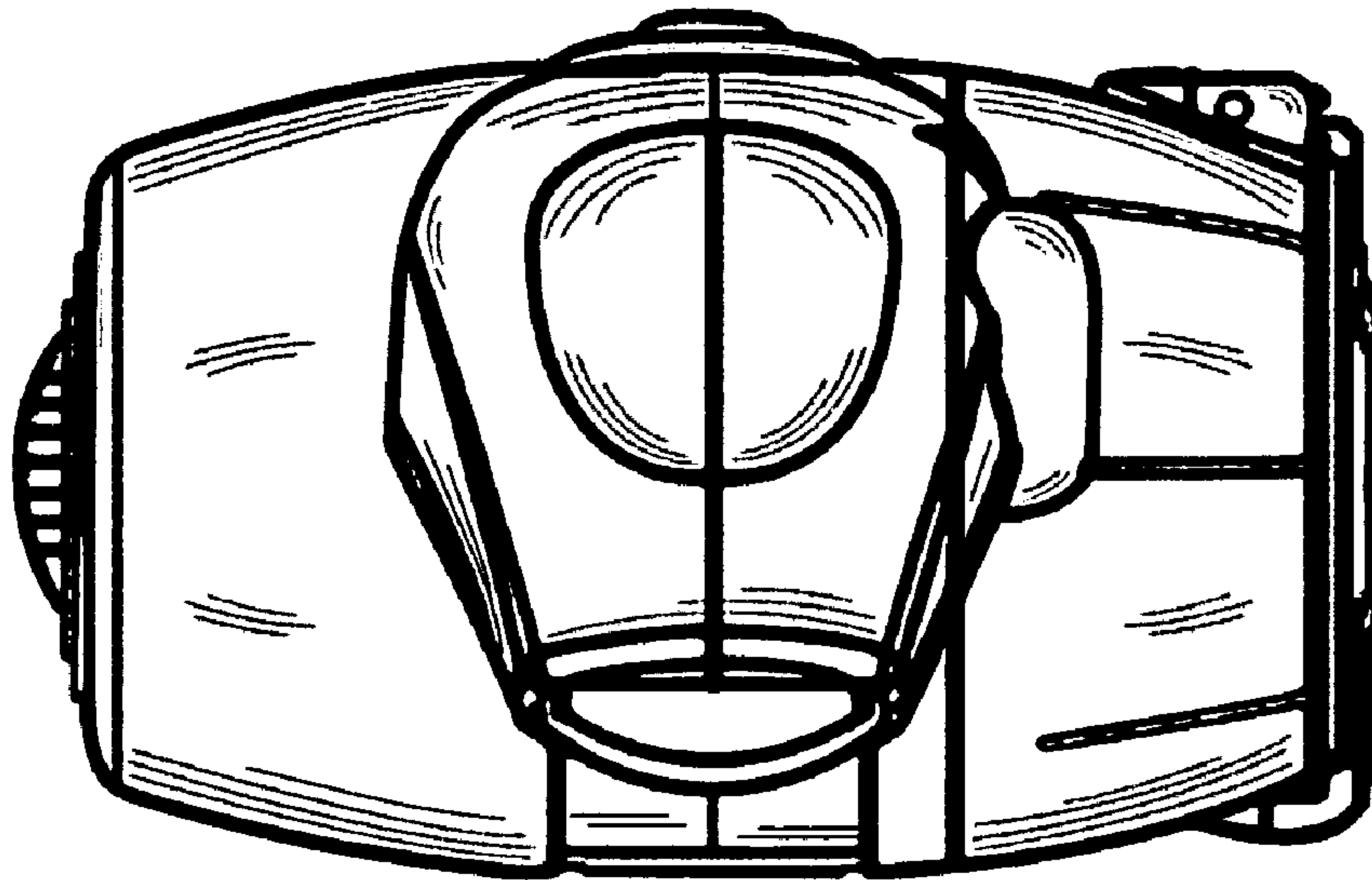


FIG. 2

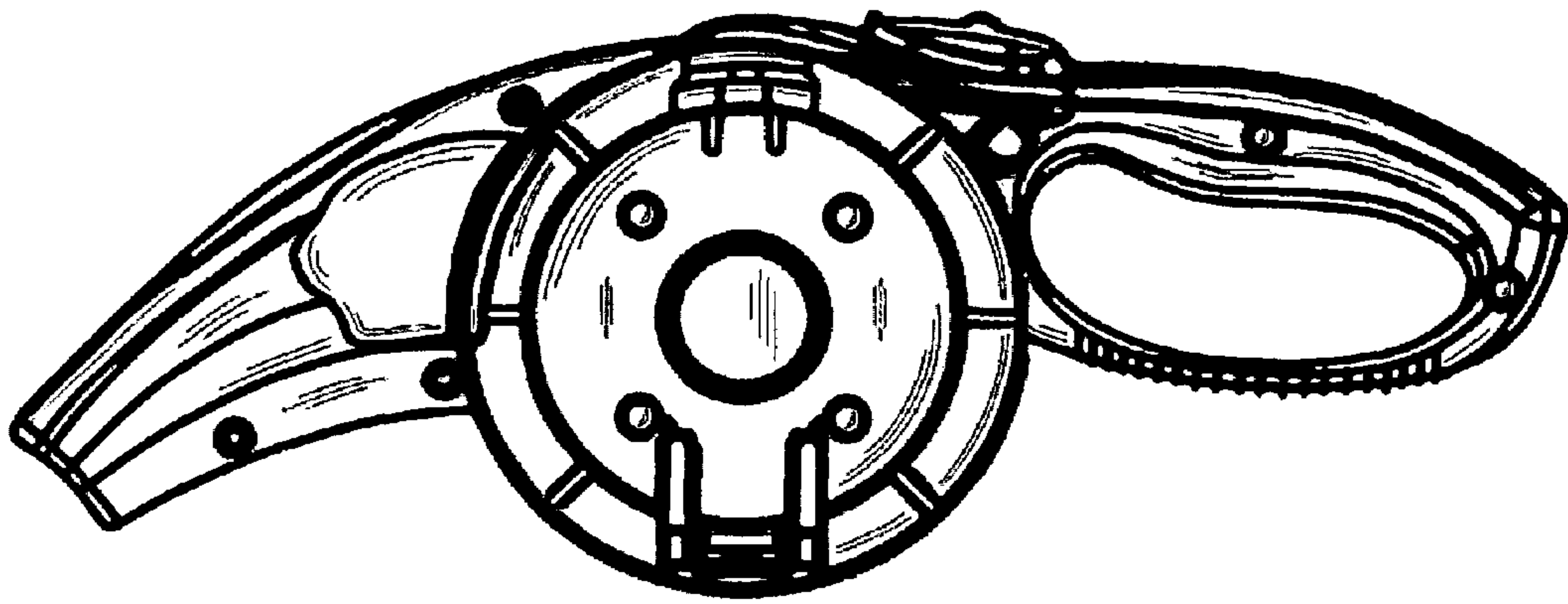


FIG. 3

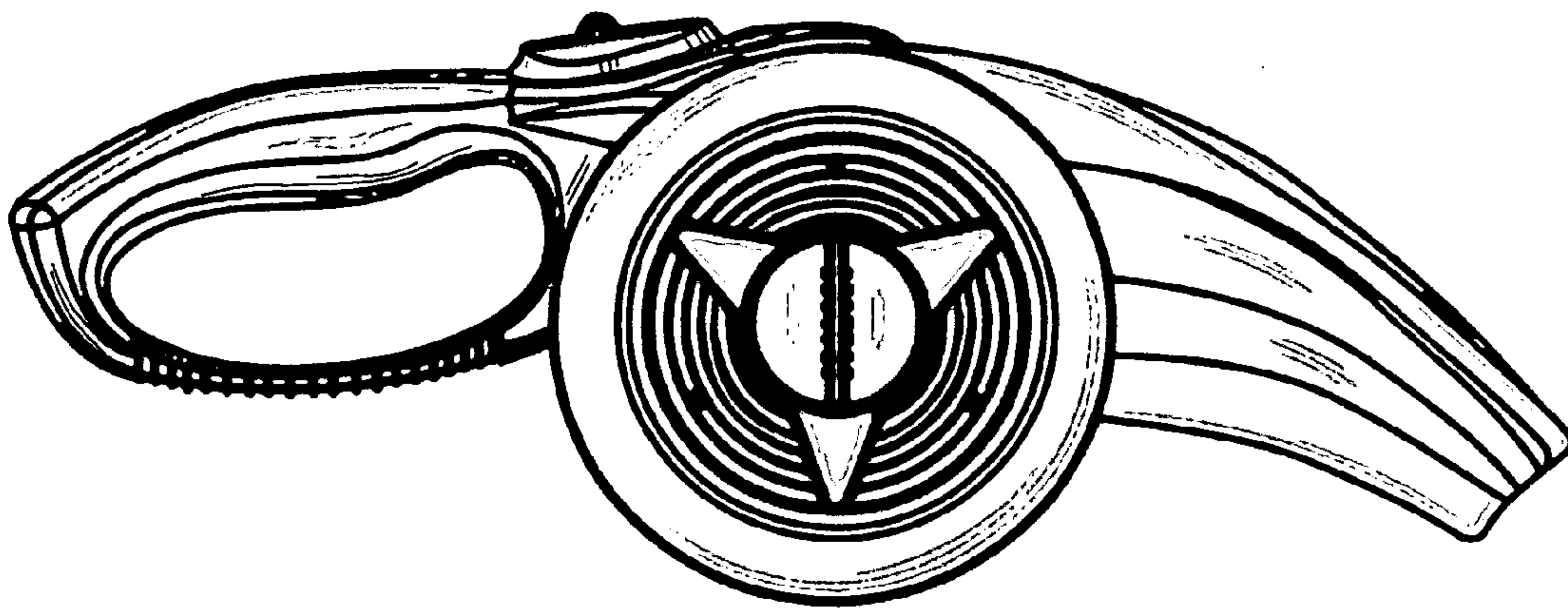


FIG. 4

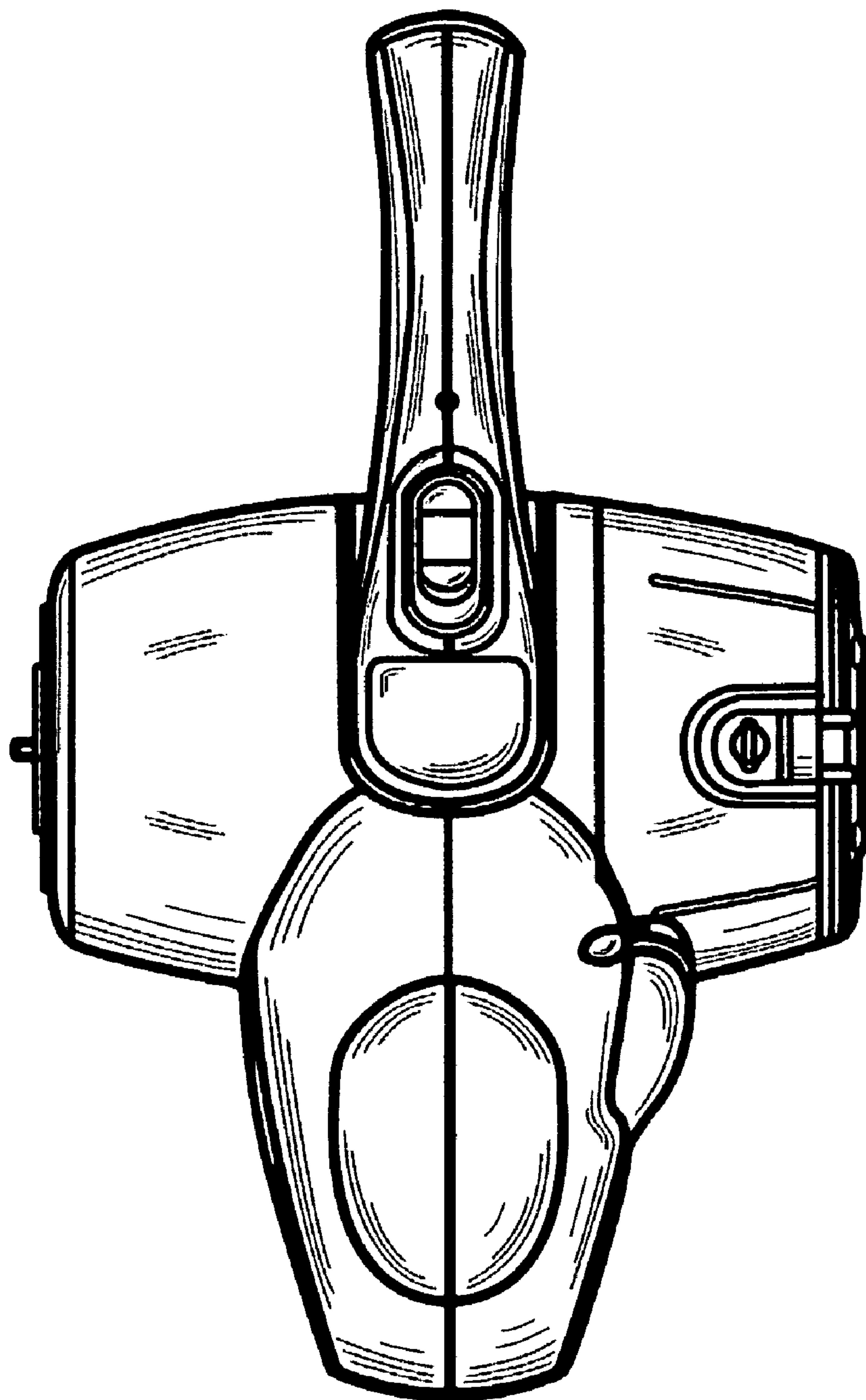


FIG. 5

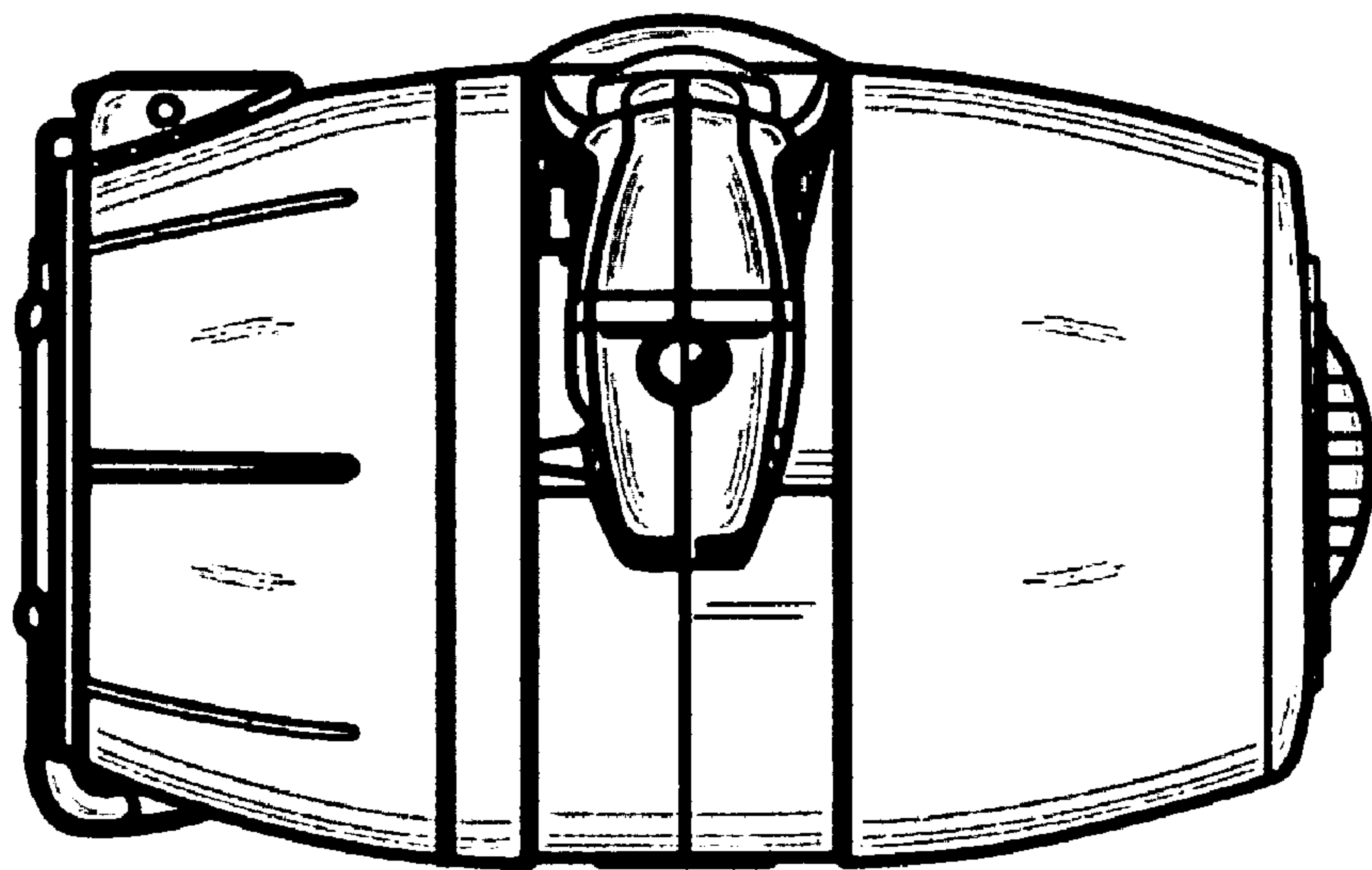


FIG. 6

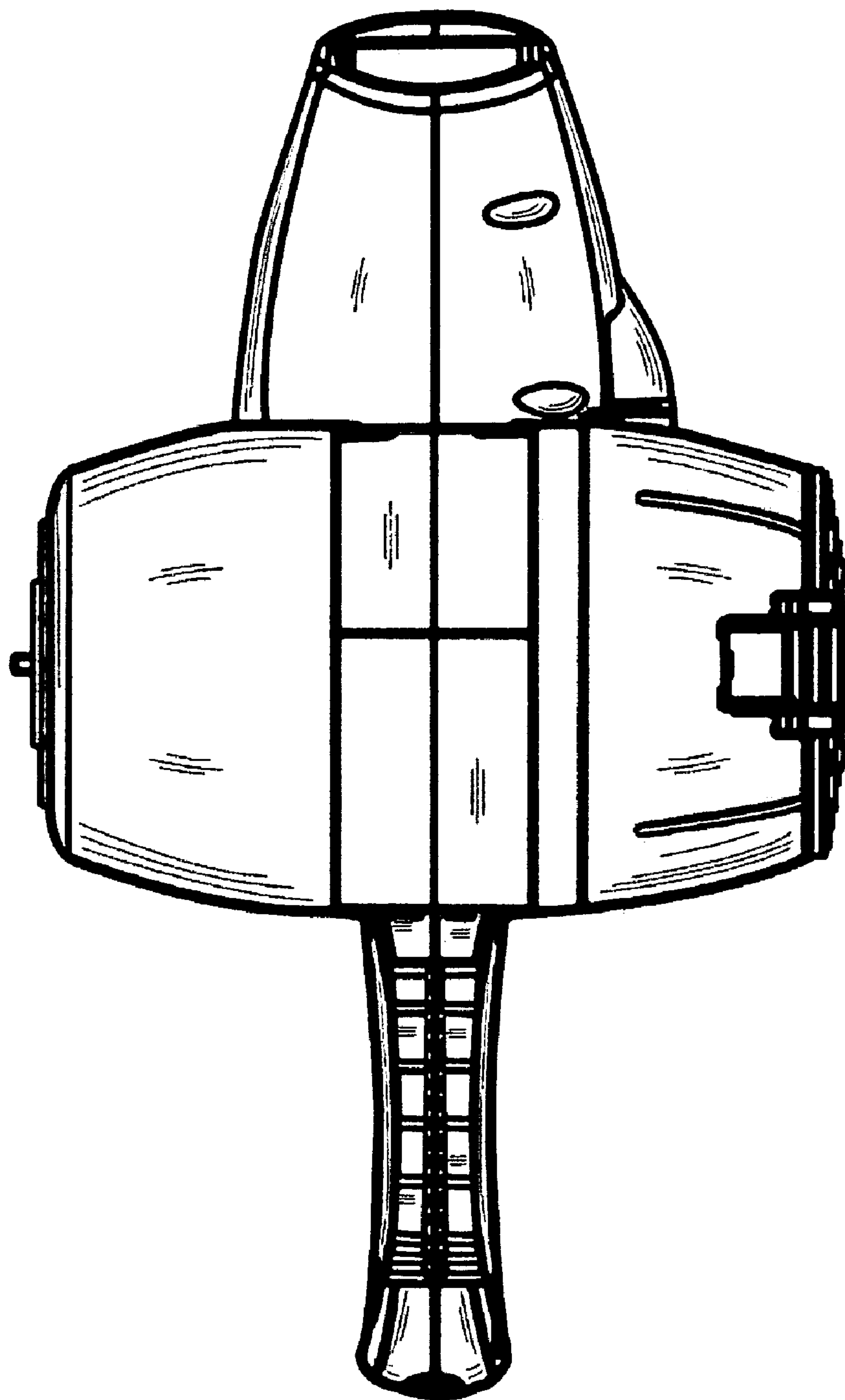


FIG. 7

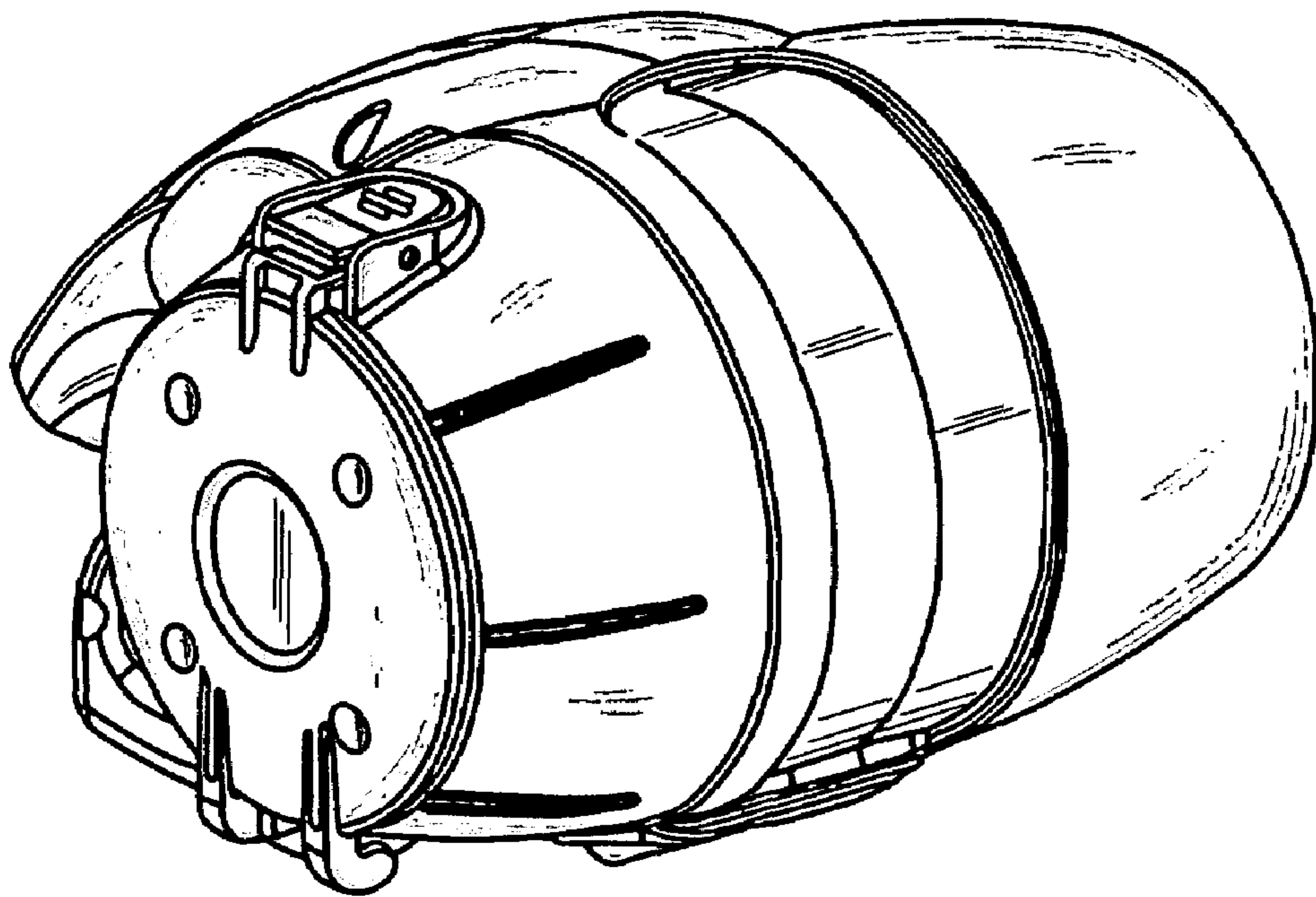


FIG. 8

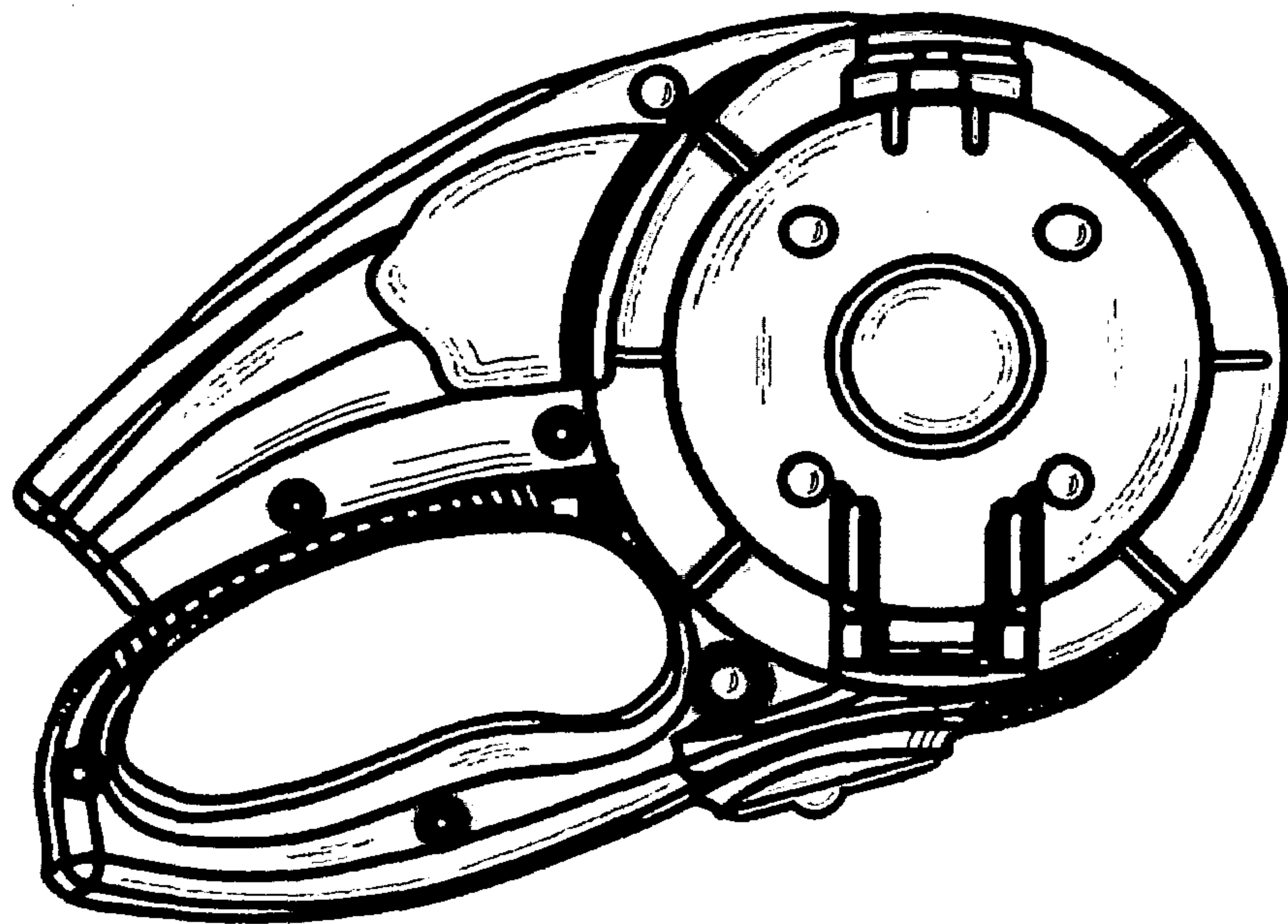


FIG. 9

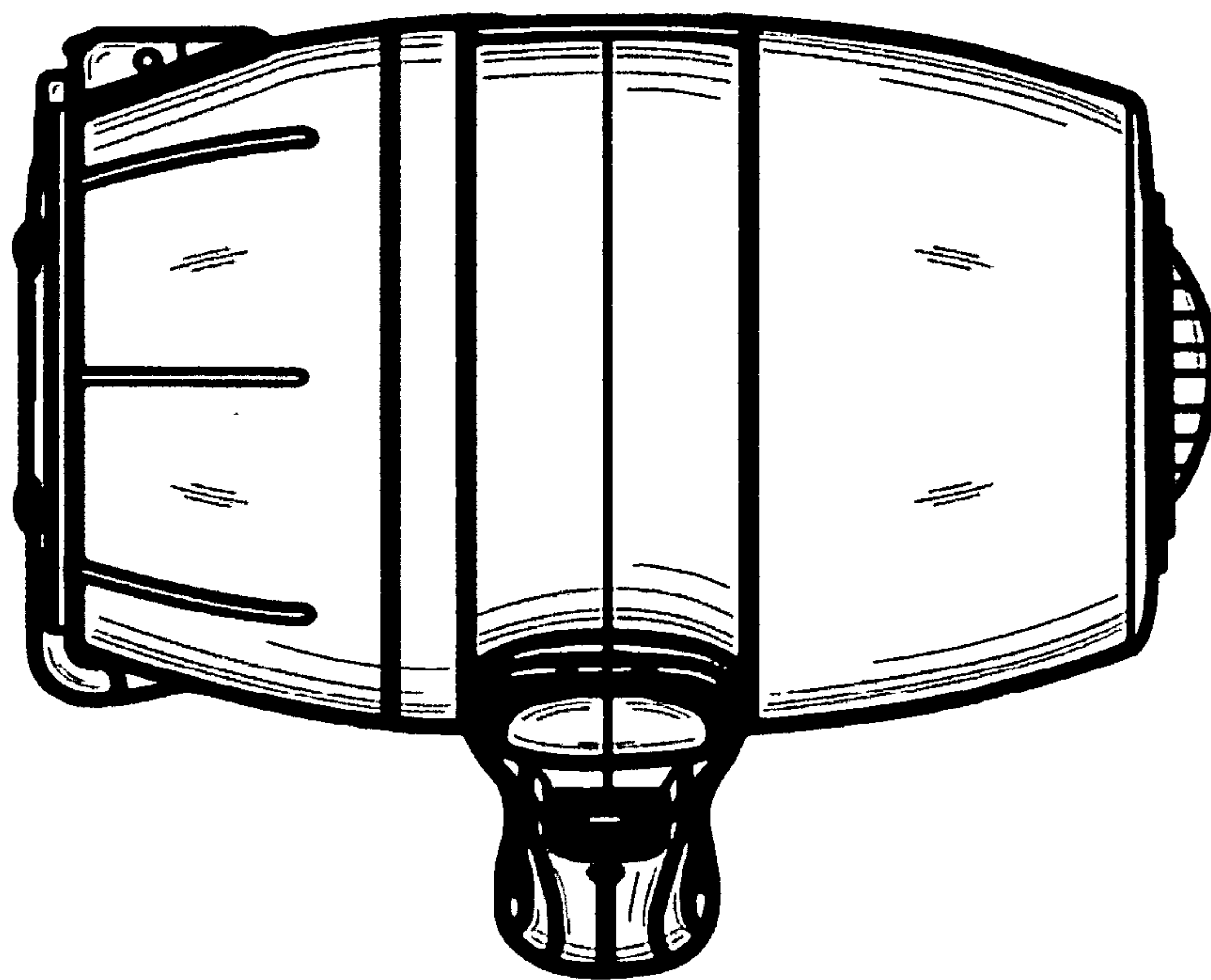


FIG. 10

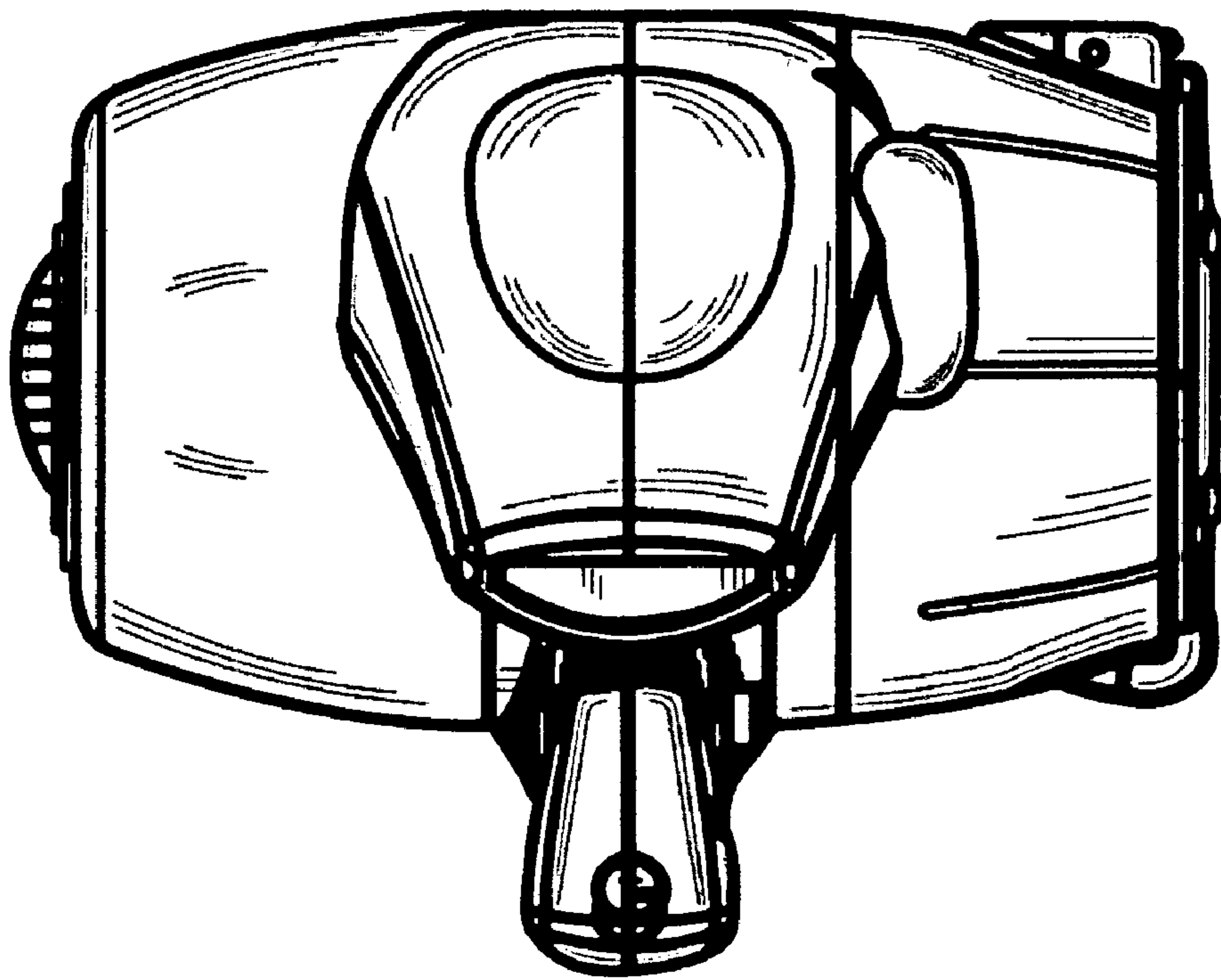


FIG. 11

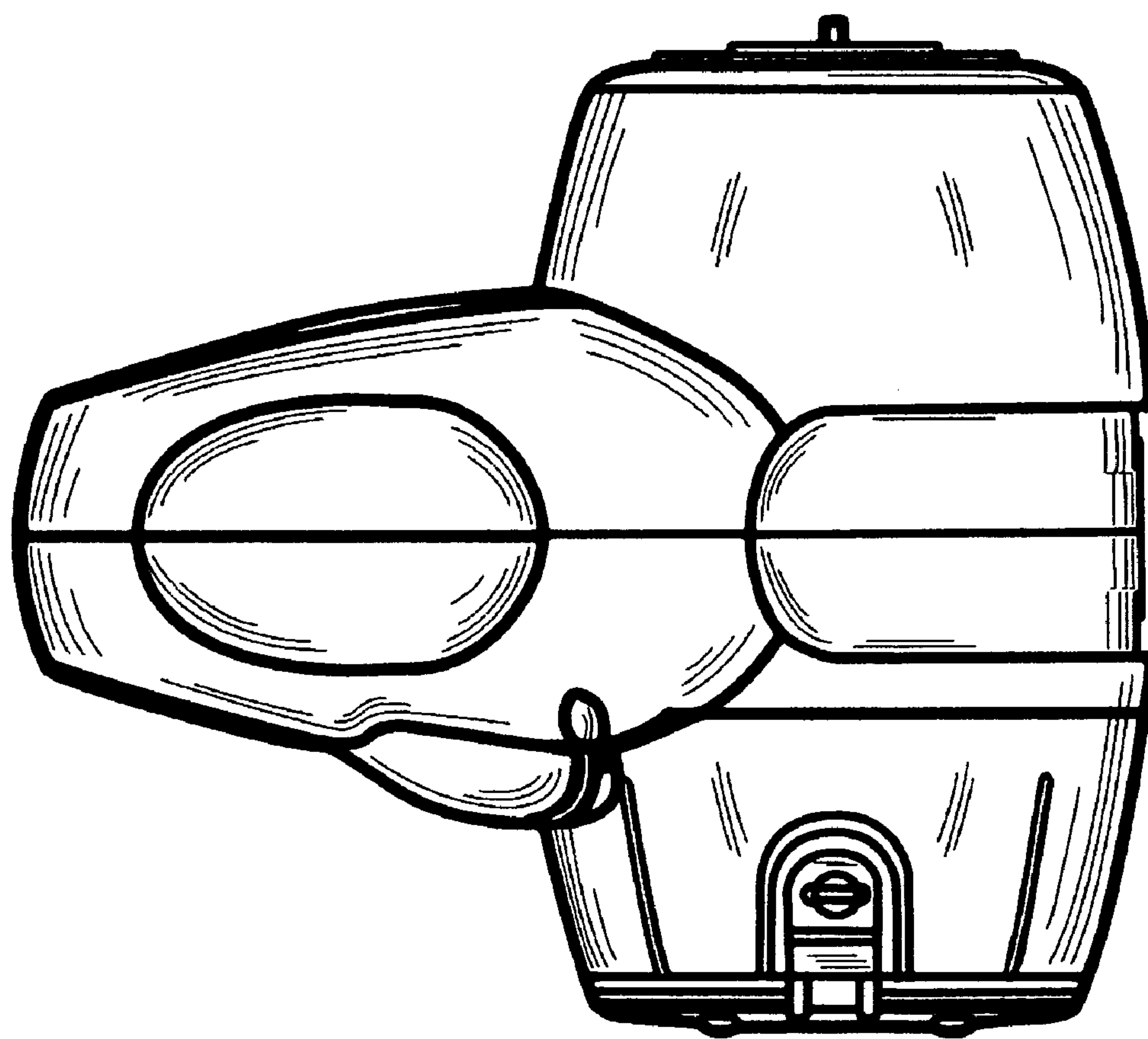


FIG. 12

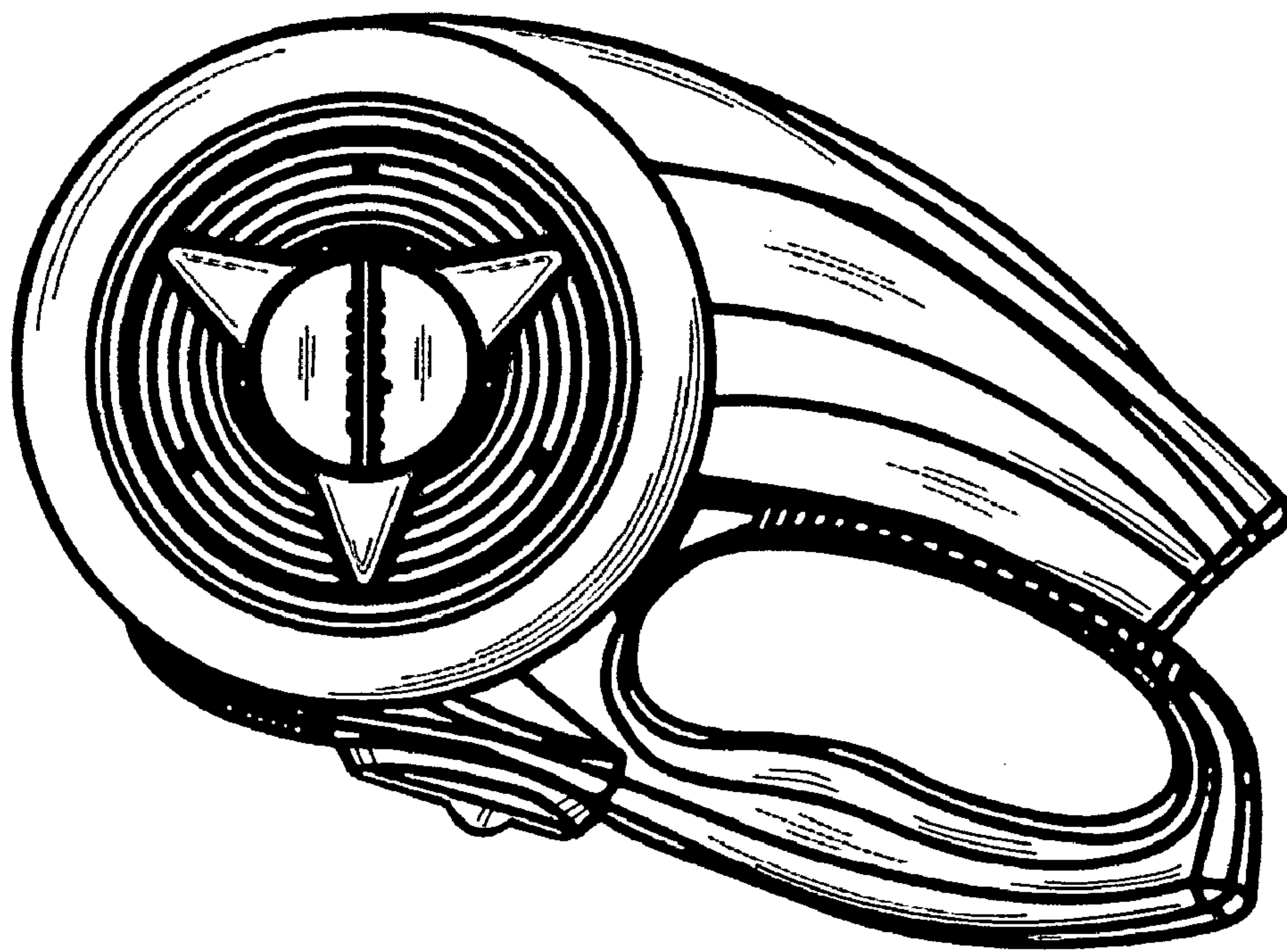


FIG. 13

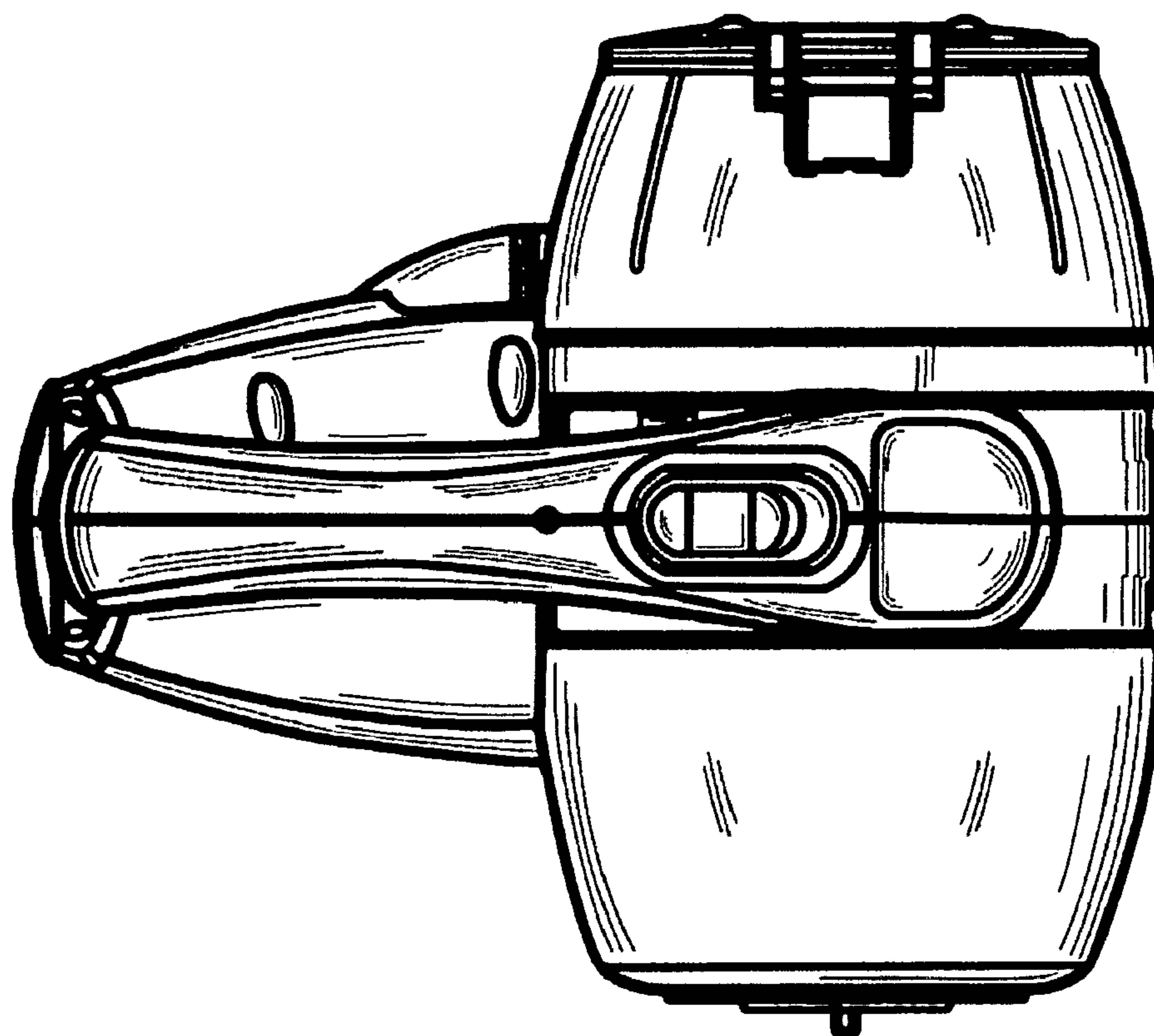


FIG. 14