



US00D569059S

(12) **United States Design Patent**
Stratford

(10) **Patent No.:** **US D569,059 S**

(45) **Date of Patent:** **** May 13, 2008**

(54) **HAND-HELD VACUUM CLEANER**

(75) Inventor: **Mark Stratford**, Darlington (GB)

(73) Assignee: **Black & Decker Inc.**, Newark, DE
(US)

(**) Term: **14 Years**

(21) Appl. No.: **29/272,641**

(22) Filed: **Feb. 13, 2007**

(30) **Foreign Application Priority Data**

Oct. 20, 2006 (EM) 000607643

(51) **LOC (8) Cl.** **15-05**

(52) **U.S. Cl.** **D32/18**

(58) **Field of Classification Search** D32/17-18,
D32/21-22, 31-33; 15/320-321, 329, 344,
15/347, 350-353, 331, 338, 412, 415.1-422,
15/422.1; 55/429, DIG. 3

See application file for complete search history.

(56) **References Cited**

U.S. PATENT DOCUMENTS

D302,876 S * 8/1989 Ikeda et al. D32/18
D401,021 S * 11/1998 Stephens et al. D32/18
D435,707 S * 12/2000 Leung D32/18

D448,894 S * 10/2001 Yuen D32/18
D456,960 S * 5/2002 Vandebelt et al. D32/18
6,434,785 B1 * 8/2002 Vandebelt et al. 15/344
D515,258 S * 2/2006 Robson D32/18
2001/0052165 A1 * 12/2001 Anderson et al. 15/344

* cited by examiner

Primary Examiner—Ruth McInroy

(74) *Attorney, Agent, or Firm*—John Yun; Bruce S. Shapiro;
Wesley Muller

(57) **CLAIM**

The ornamental design for a hand-held vacuum cleaner, as shown and described.

DESCRIPTION

FIG. 1 is a front perspective view of a hand-held vacuum cleaner showing my new design;

FIG. 2 is a left side view thereof;

FIG. 3 is a right side view thereof;

FIG. 4 is a front view thereof;

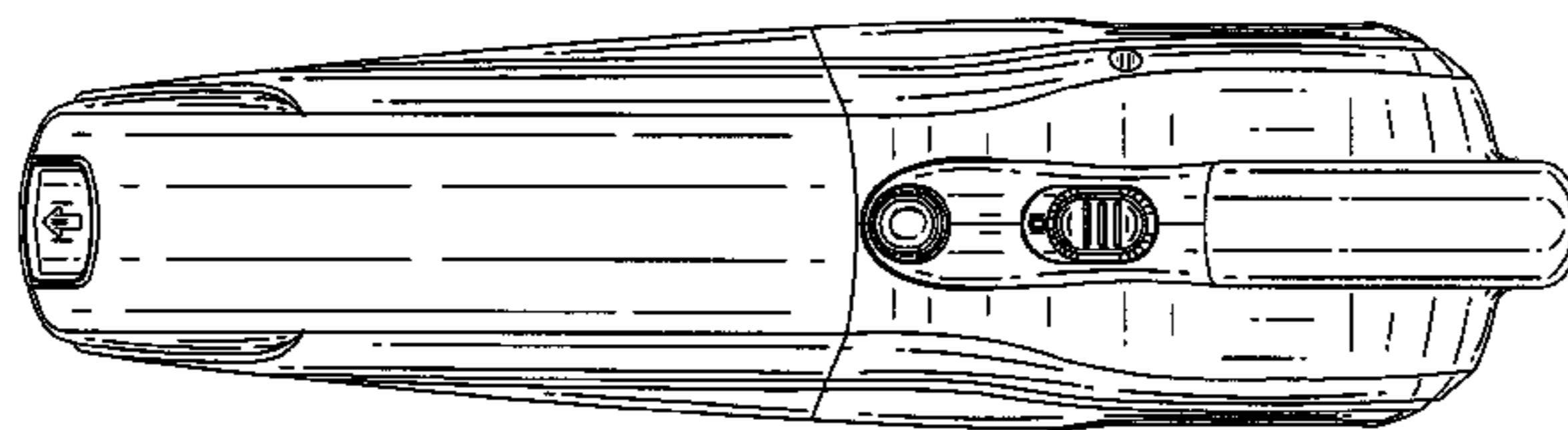
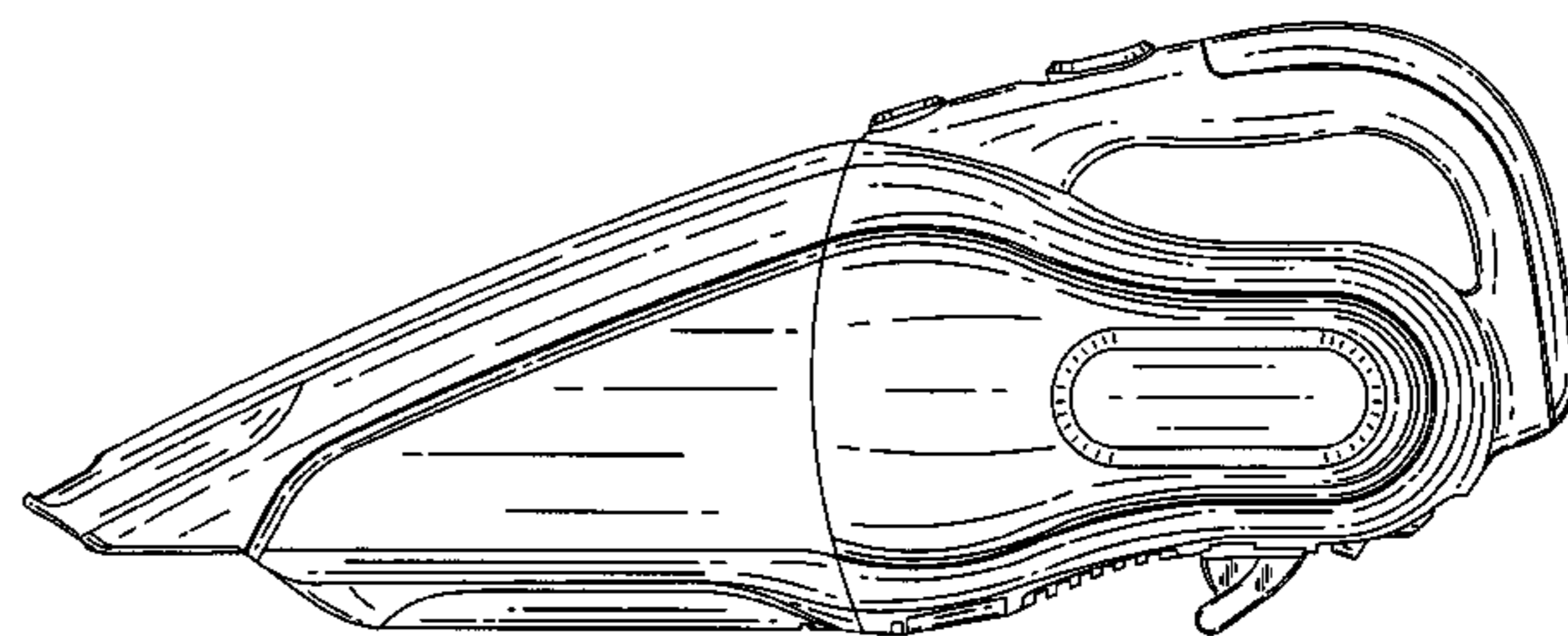
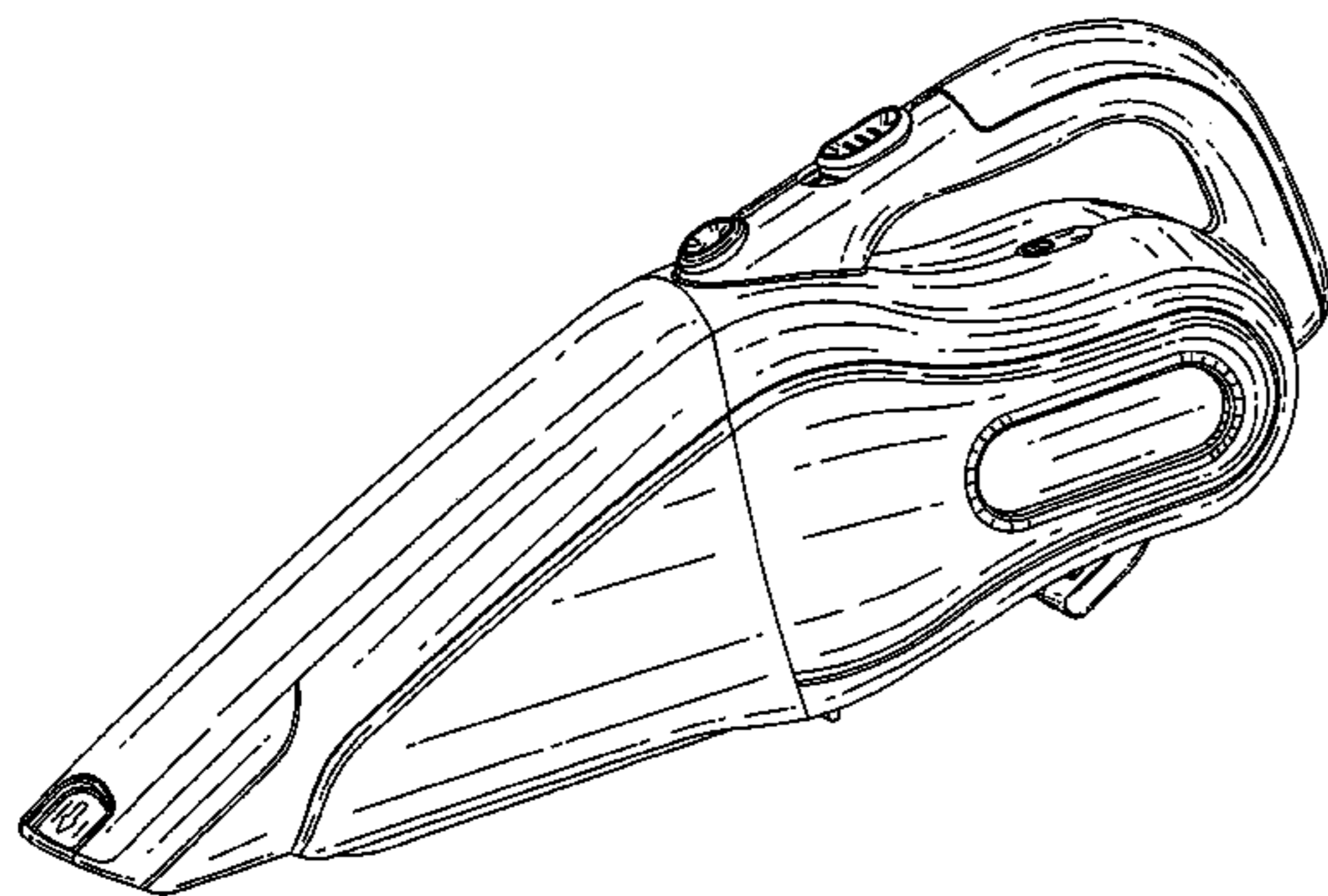
FIG. 5 is a rear view thereof;

FIG. 6 is a top plan view thereof;

FIG. 7 is a bottom plan view thereof; and,

FIG. 8 is a rear perspective view thereof.

1 Claim, 7 Drawing Sheets



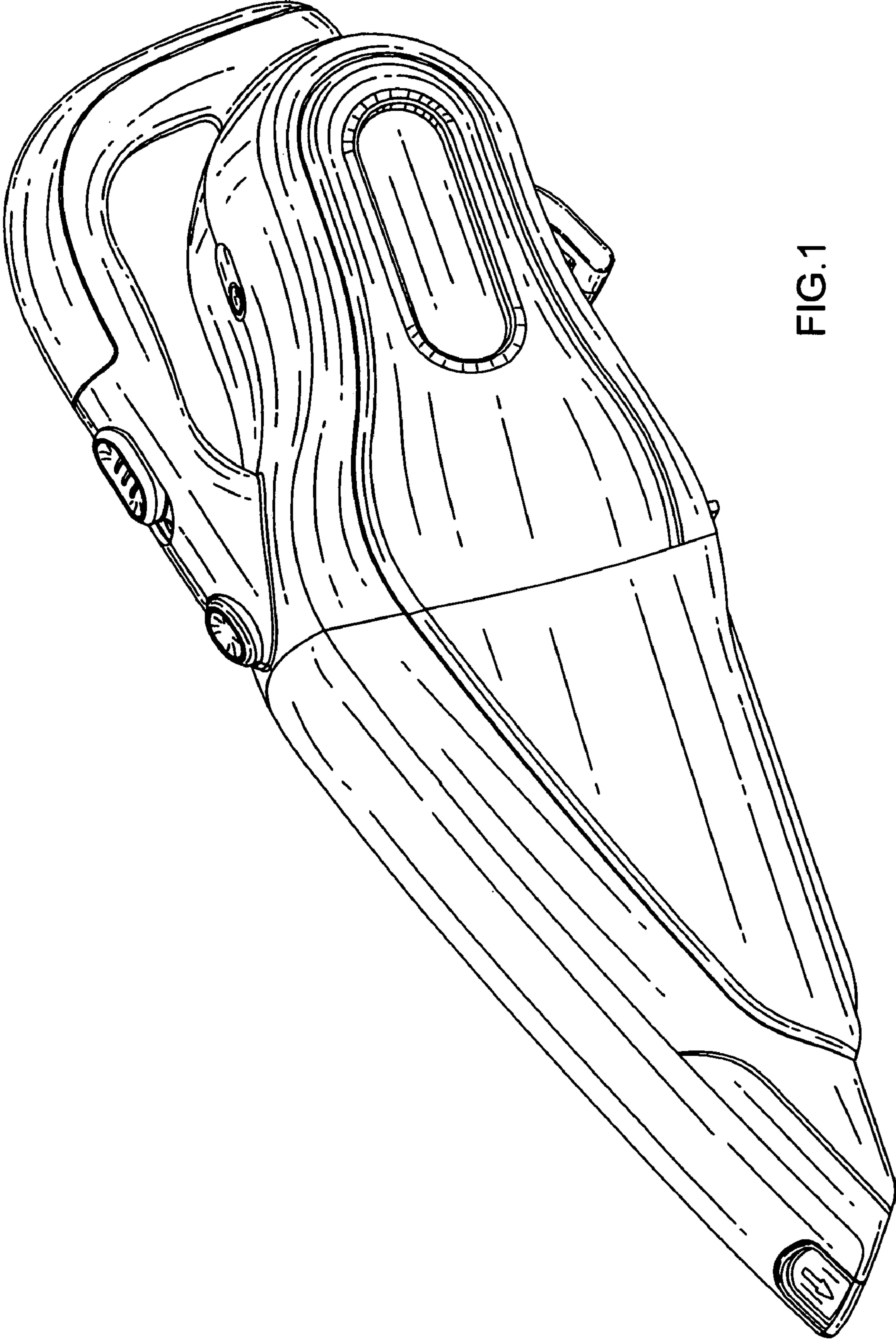


FIG.1

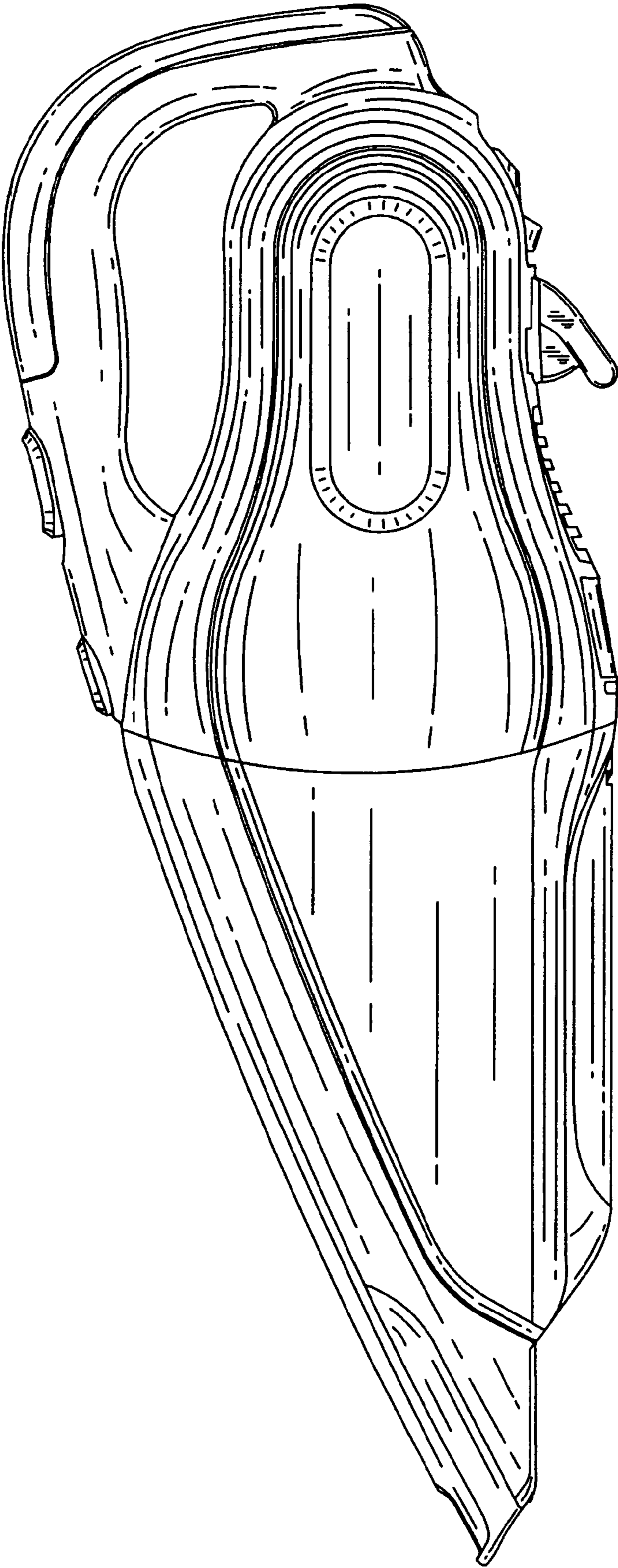


FIG.2

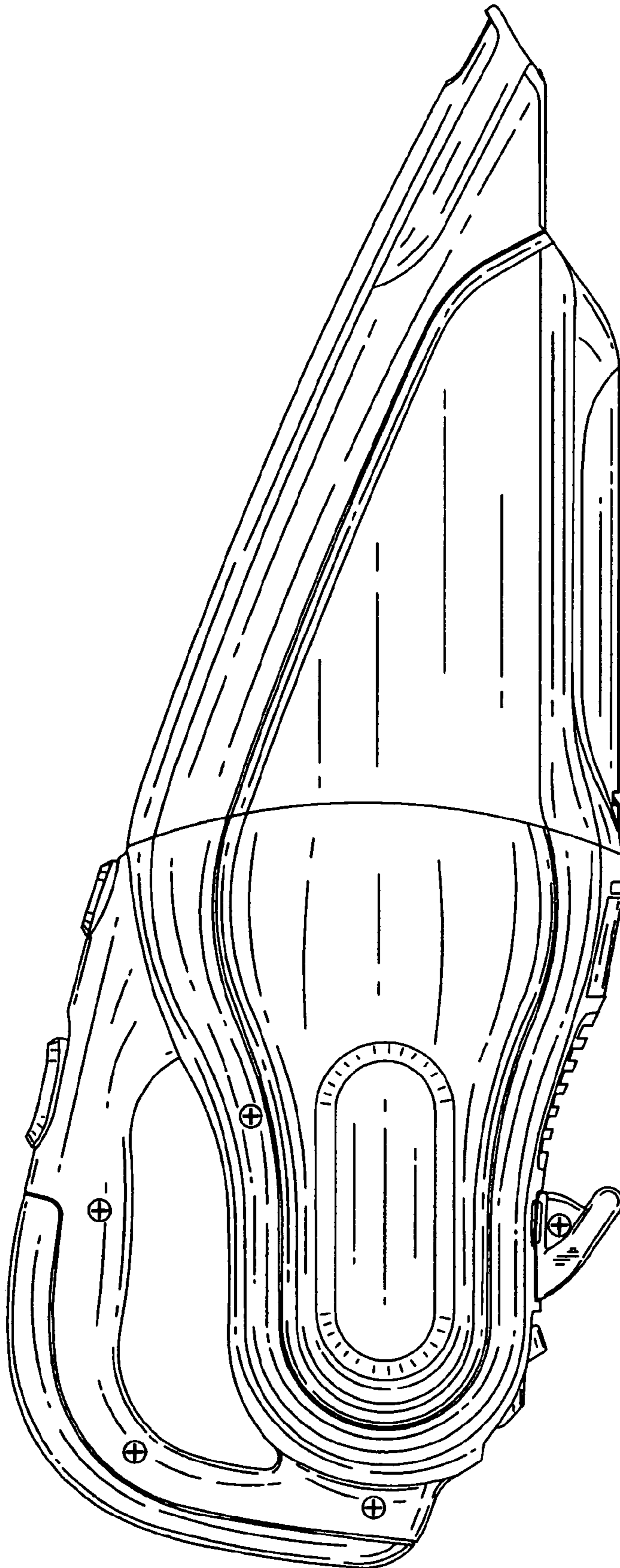


FIG.3

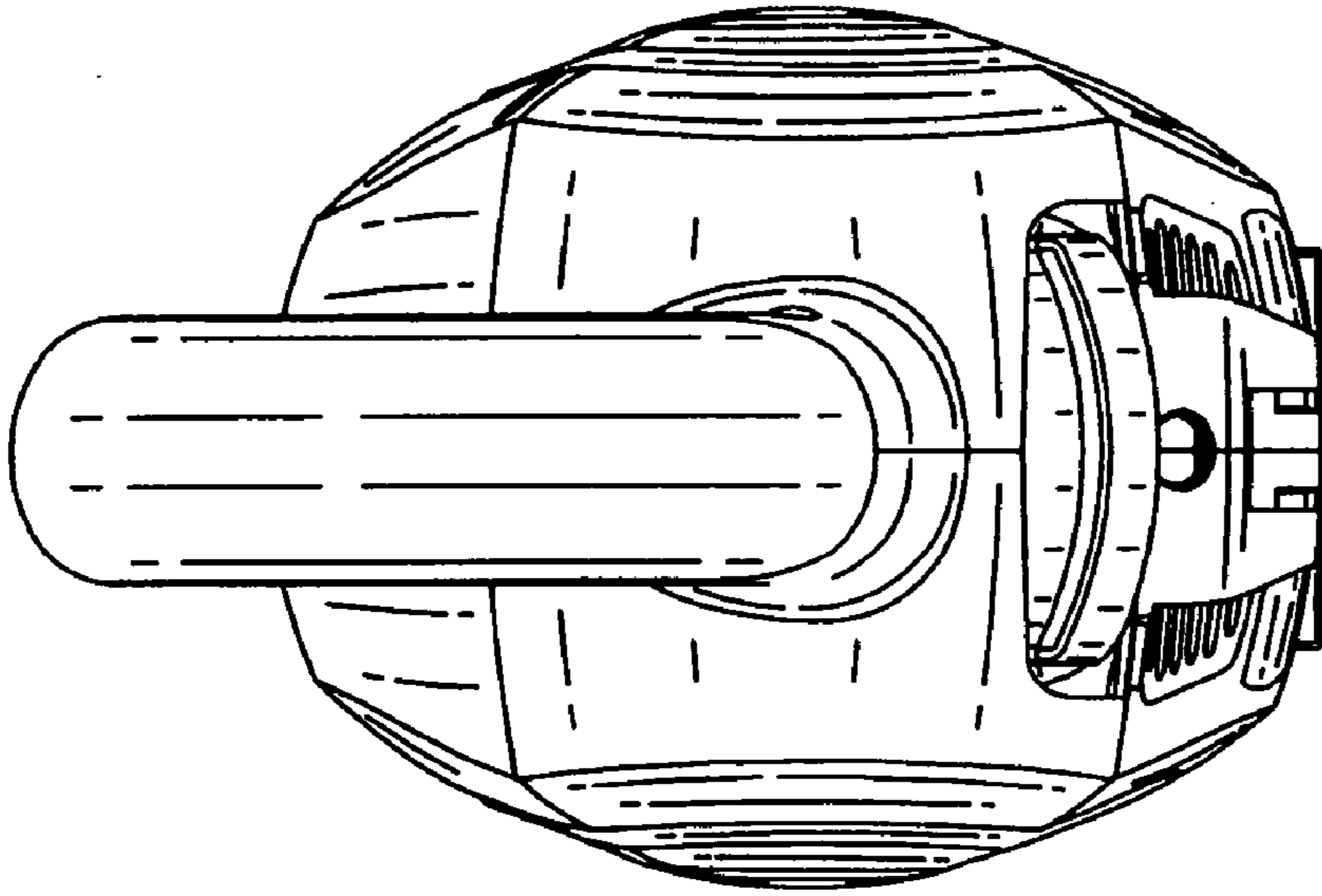


FIG.5

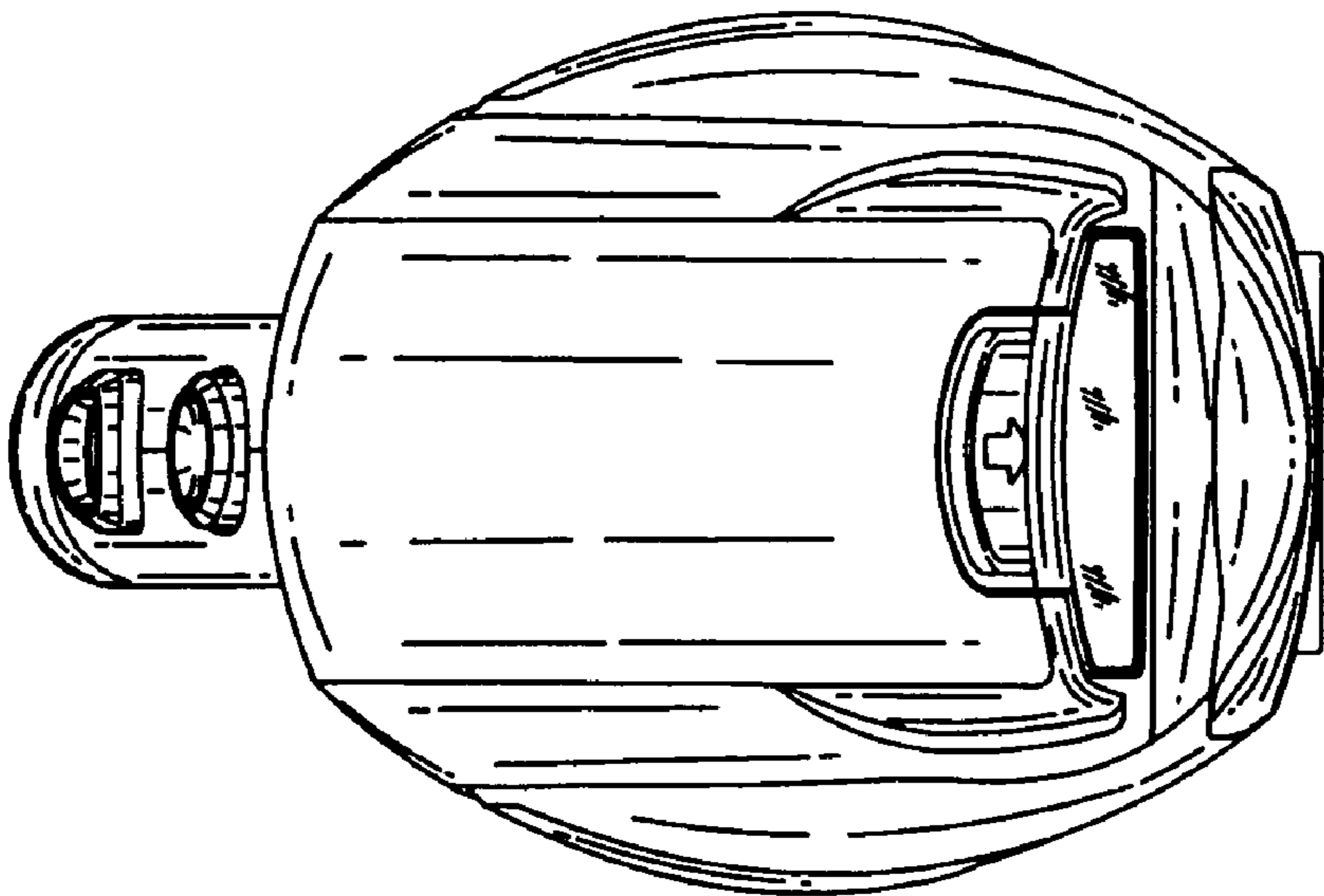


FIG.4

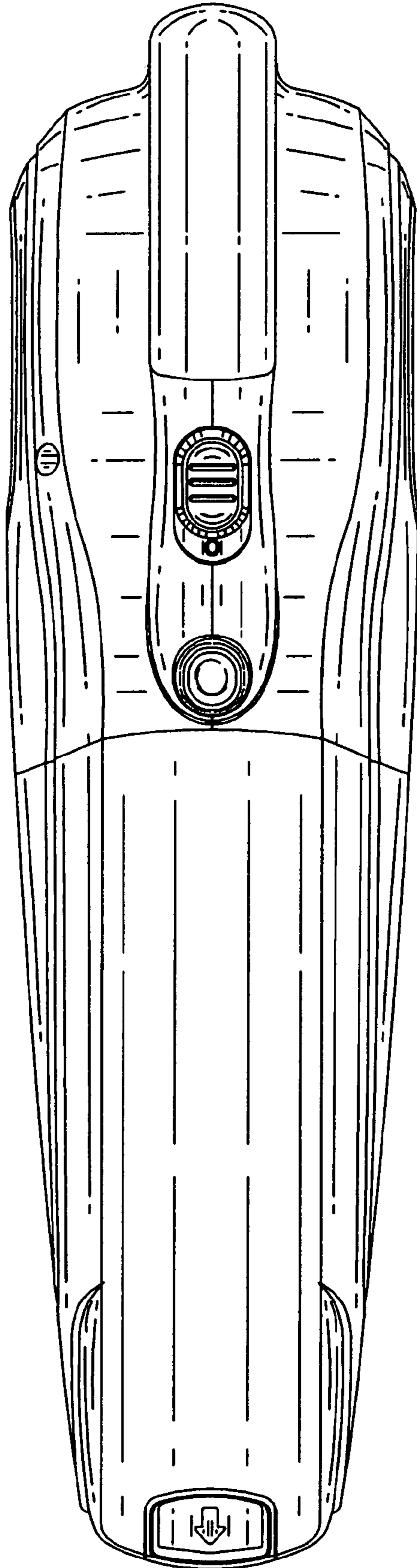


FIG.6

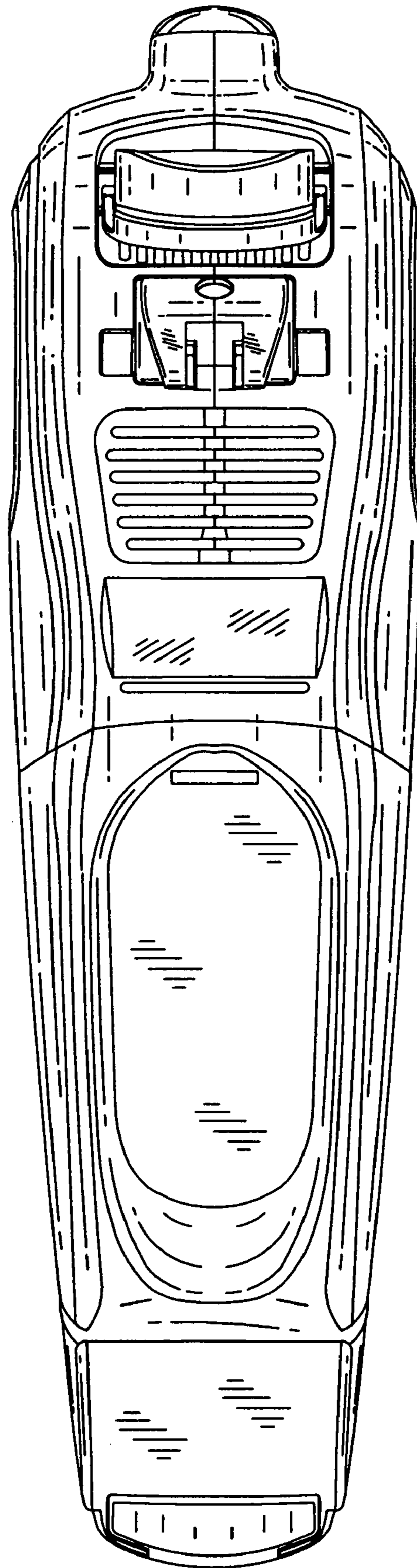


FIG.7

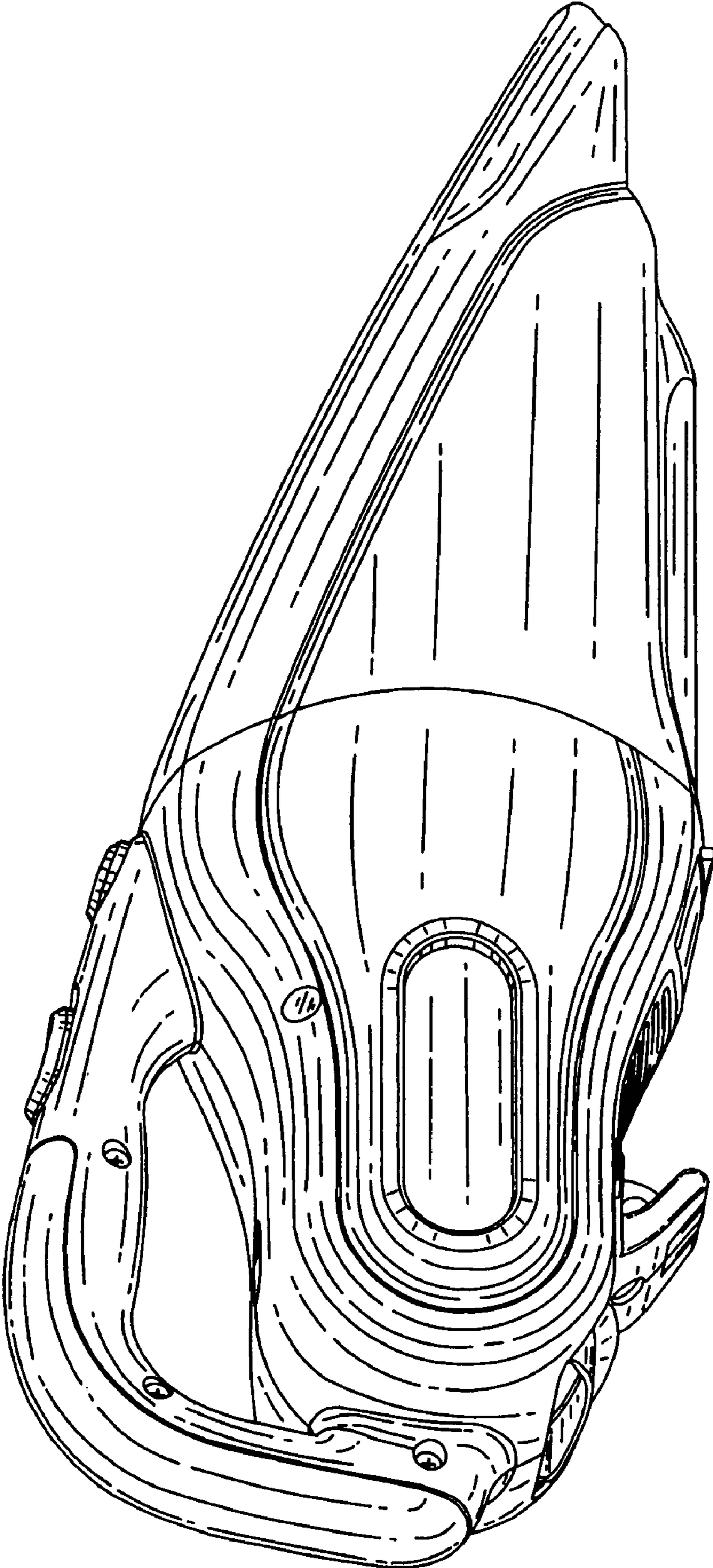


FIG.8