



US00D569057S

(12) **United States Design Patent**
Goff

(10) **Patent No.:** **US D569,057 S**

(45) **Date of Patent:** **** May 13, 2008**

(54) **FLOOR CLEANING APPARATUS**

(75) Inventor: **Sean K. Goff**, Union Grove, WI (US)

(73) Assignee: **RPS Corporation**, Racine, WI (US)

(**) Term: **14 Years**

(21) Appl. No.: **29/283,595**

(22) Filed: **Aug. 17, 2007**

(51) **LOC (8) Cl.** **15-05**

(52) **U.S. Cl.** **D32/16**

(58) **Field of Classification Search** D32/1,
D32/15-16, 18-24; 15/327.1-327.7, 340.2-340.3,
15/320-322, 353, 49.1; 134/18

See application file for complete search history.

(56) **References Cited**

U.S. PATENT DOCUMENTS

D364,012 S *	11/1995	Bothun et al.	D32/19
D365,423 S *	12/1995	Bores et al.	D32/16
D369,446 S *	4/1996	Smith	D32/19
6,871,371 B2 *	3/2005	Guest	15/49.1
D536,844 S *	2/2007	Pedlar	D32/16
D542,988 S *	5/2007	Dammkoehler et al.	D32/16
D544,659 S *	6/2007	Auerswald et al.	D32/16
2002/0073494 A1 *	6/2002	Stuchlik	15/49.1
2003/0019068 A1 *	1/2003	Field et al.	15/320
2005/0081319 A1 *	4/2005	Legatt	15/320

OTHER PUBLICATIONS

http://www.factorycat.com/images/equipment/mini/mini_4.jpg
Dec. 14, 2007.*

http://www.tomcatequip.com/bin/253_images/full/253_1_full.jpg
Dec. 14, 2007.*

Tomcat Burnishers Walk Behinds and Riders, RPS Corporation
(May 2006).

ADVANCE Whirlamatic VS20 and 20UHSB, Nilfisk-Advance, Inc.
(1998).

* cited by examiner

Primary Examiner—Louis S. Zarfes

Assistant Examiner—Kathleen Sims

(74) *Attorney, Agent, or Firm*—Quarles & Brady LLP

(57) **CLAIM**

The ornamental design for a floor cleaning apparatus, as shown and described.

DESCRIPTION

FIG. 1 is a top, right, front perspective view of a floor cleaning apparatus showing my new design;

FIG. 2 is a right side elevational view thereof;

FIG. 3 is a front view thereof;

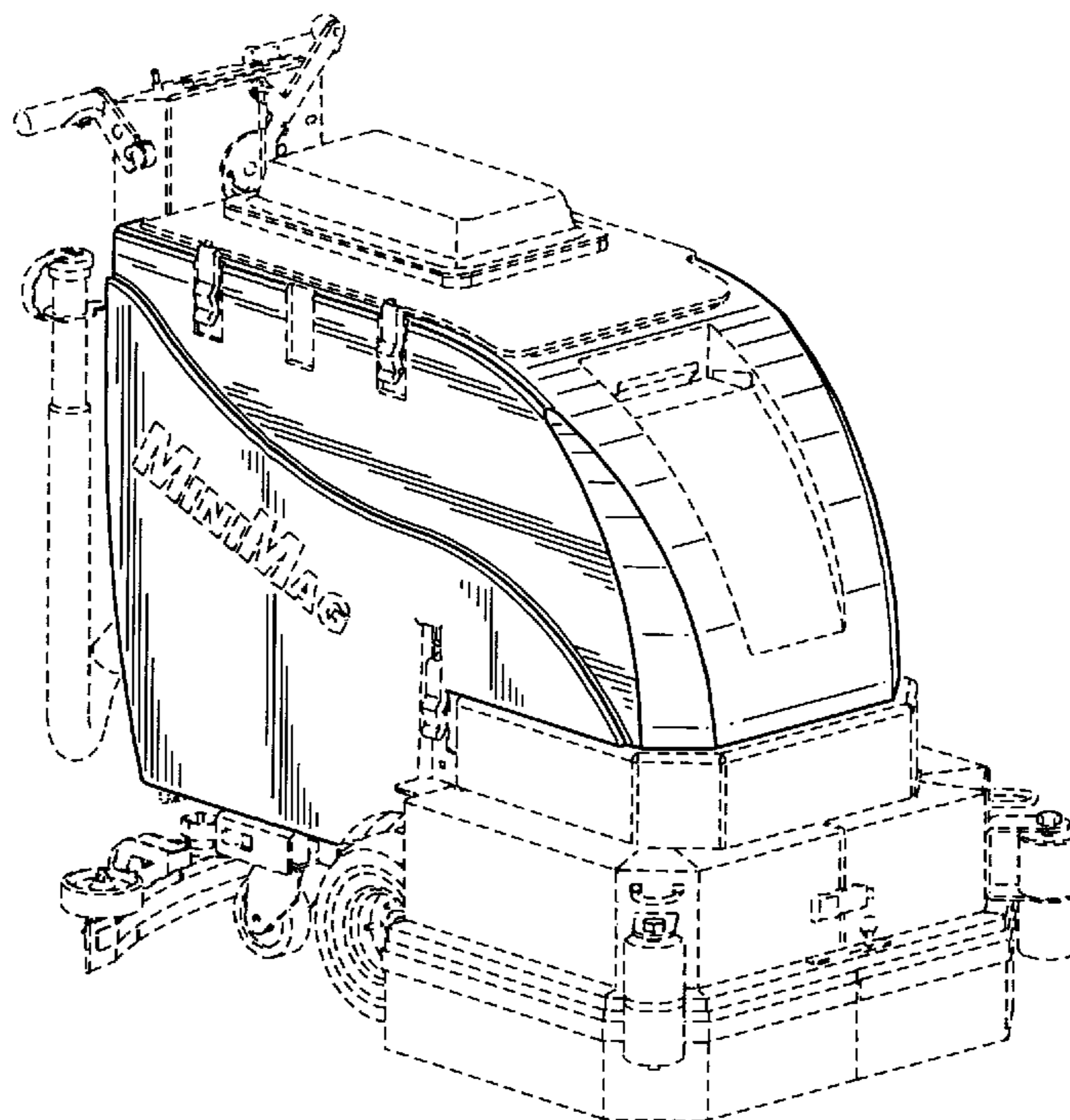
FIG. 4 is a rear view thereof;

FIG. 5 is a left side elevational view thereof; and,

FIG. 6 is a top view thereof.

The broken line representations of portions of a floor cleaning apparatus in FIGS. 1-6, are for the purpose of illustration only, and form no part of the claimed design.

1 Claim, 5 Drawing Sheets



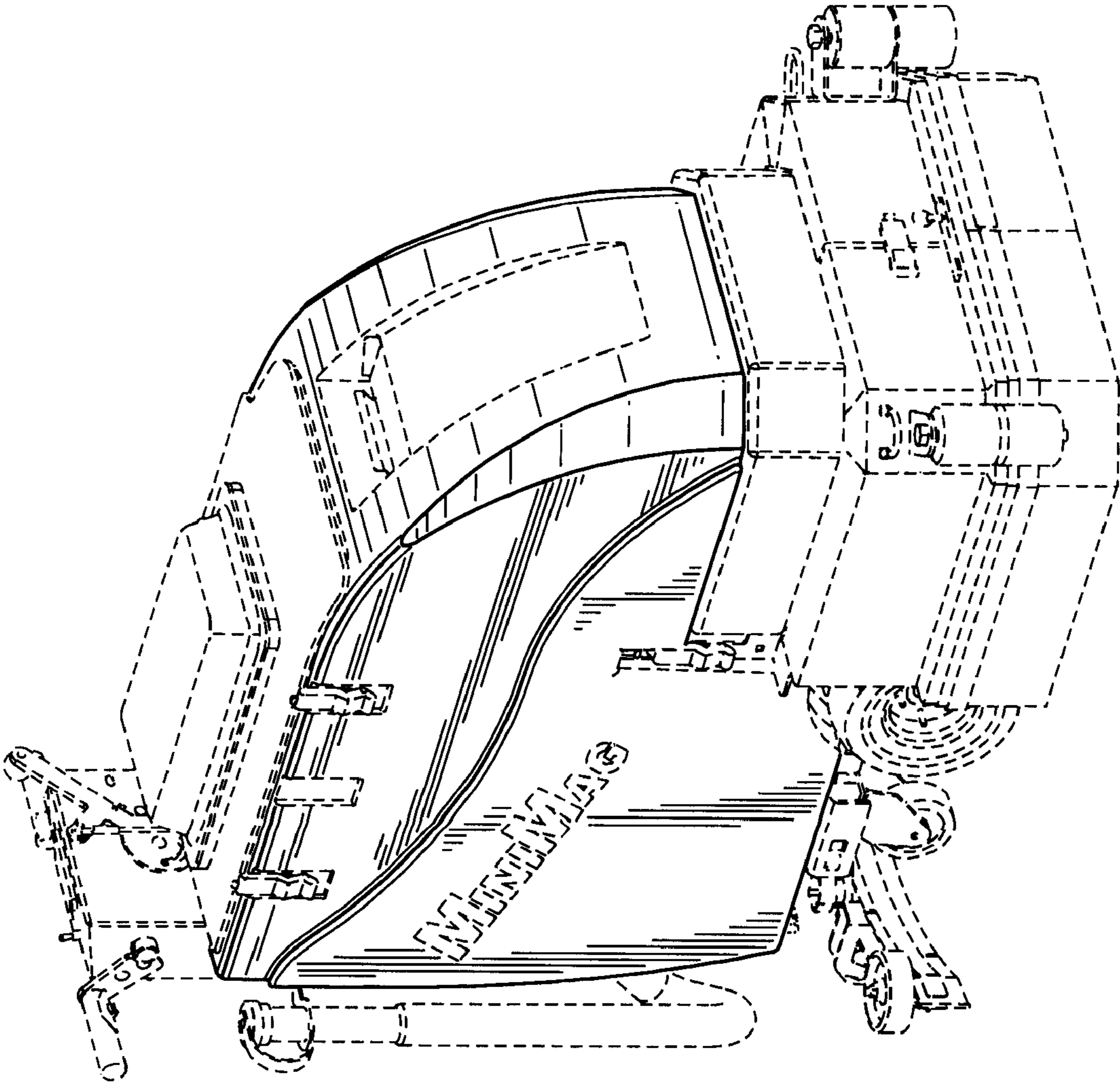


FIG. 1

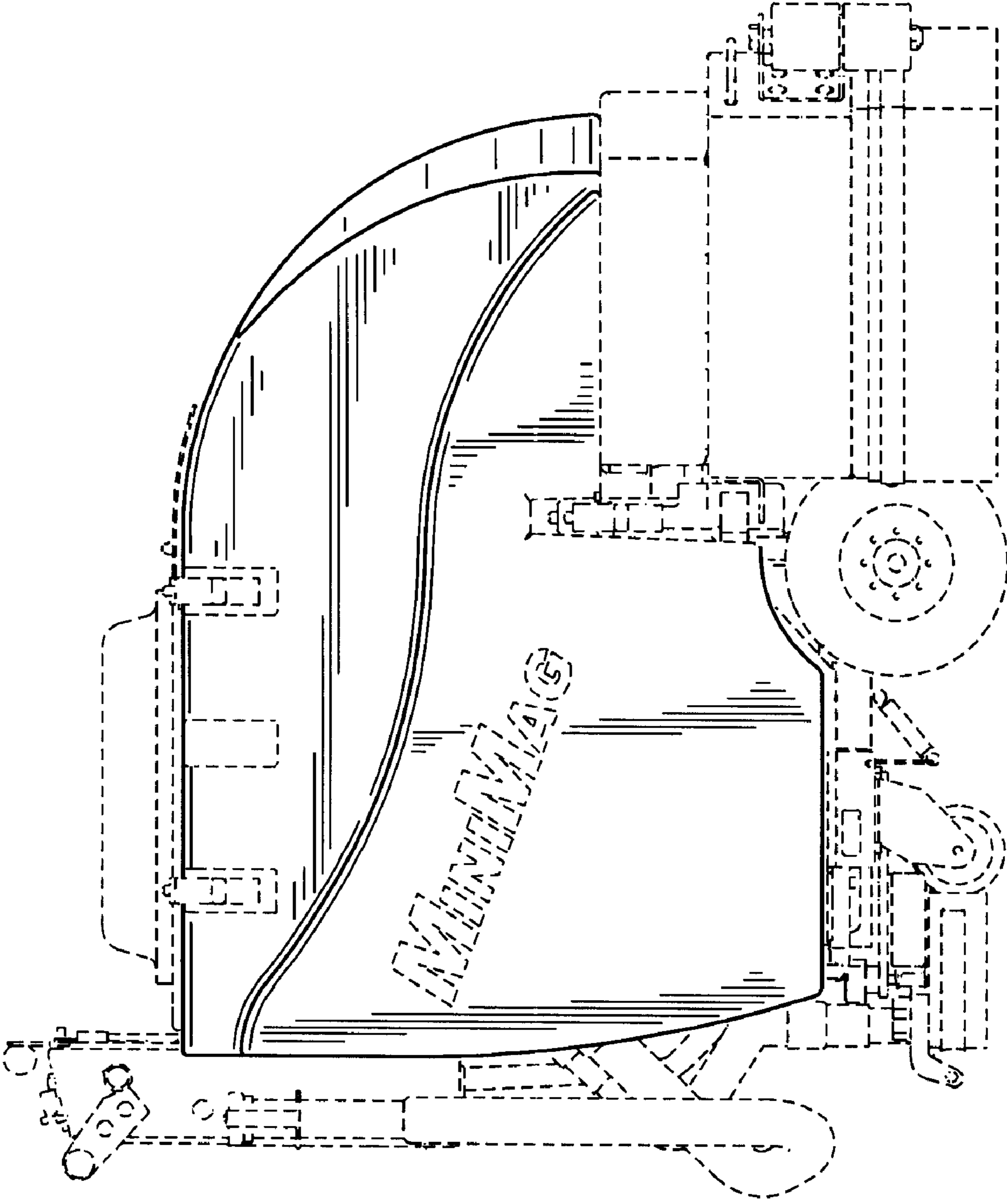


FIG. 2

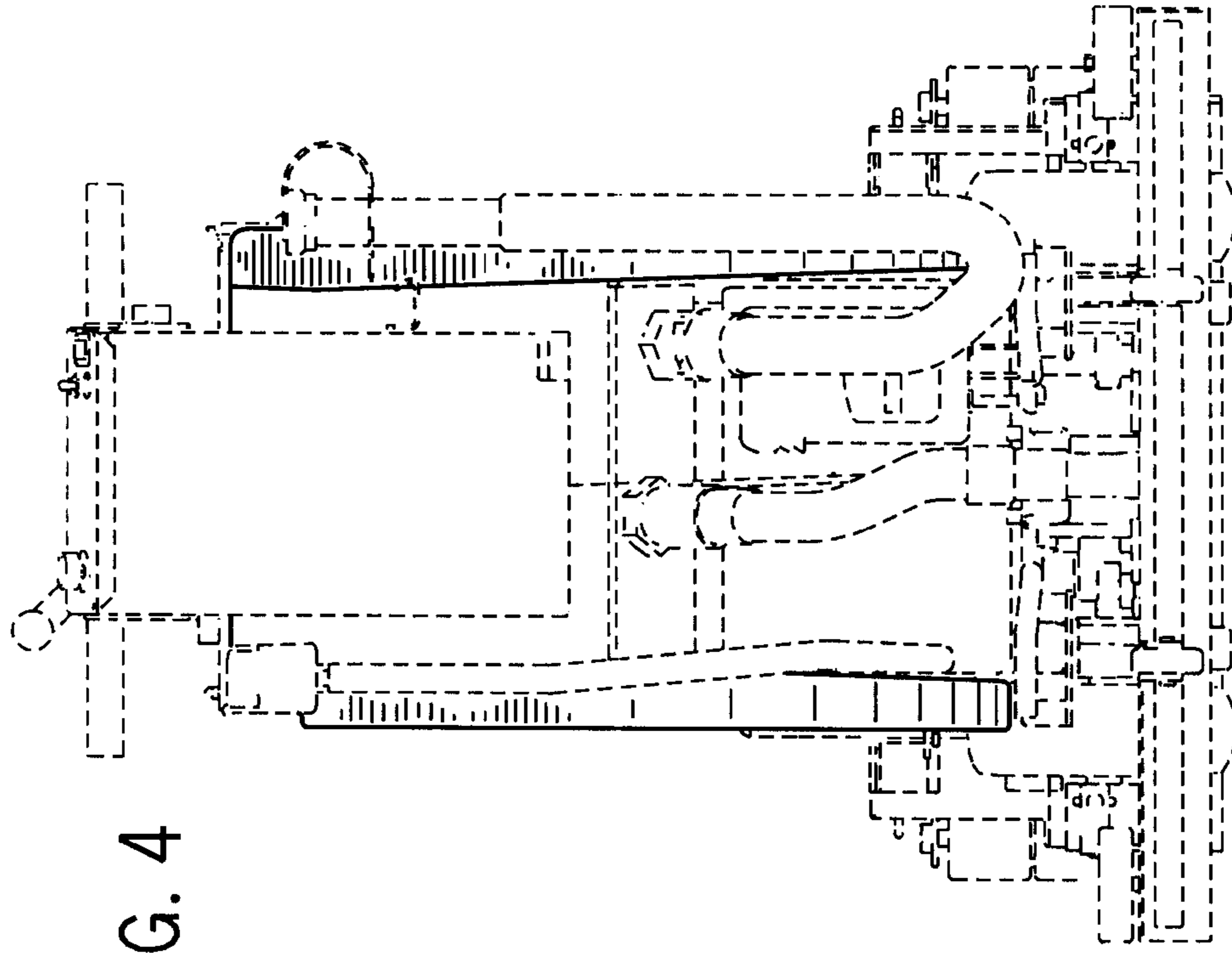


FIG. 4

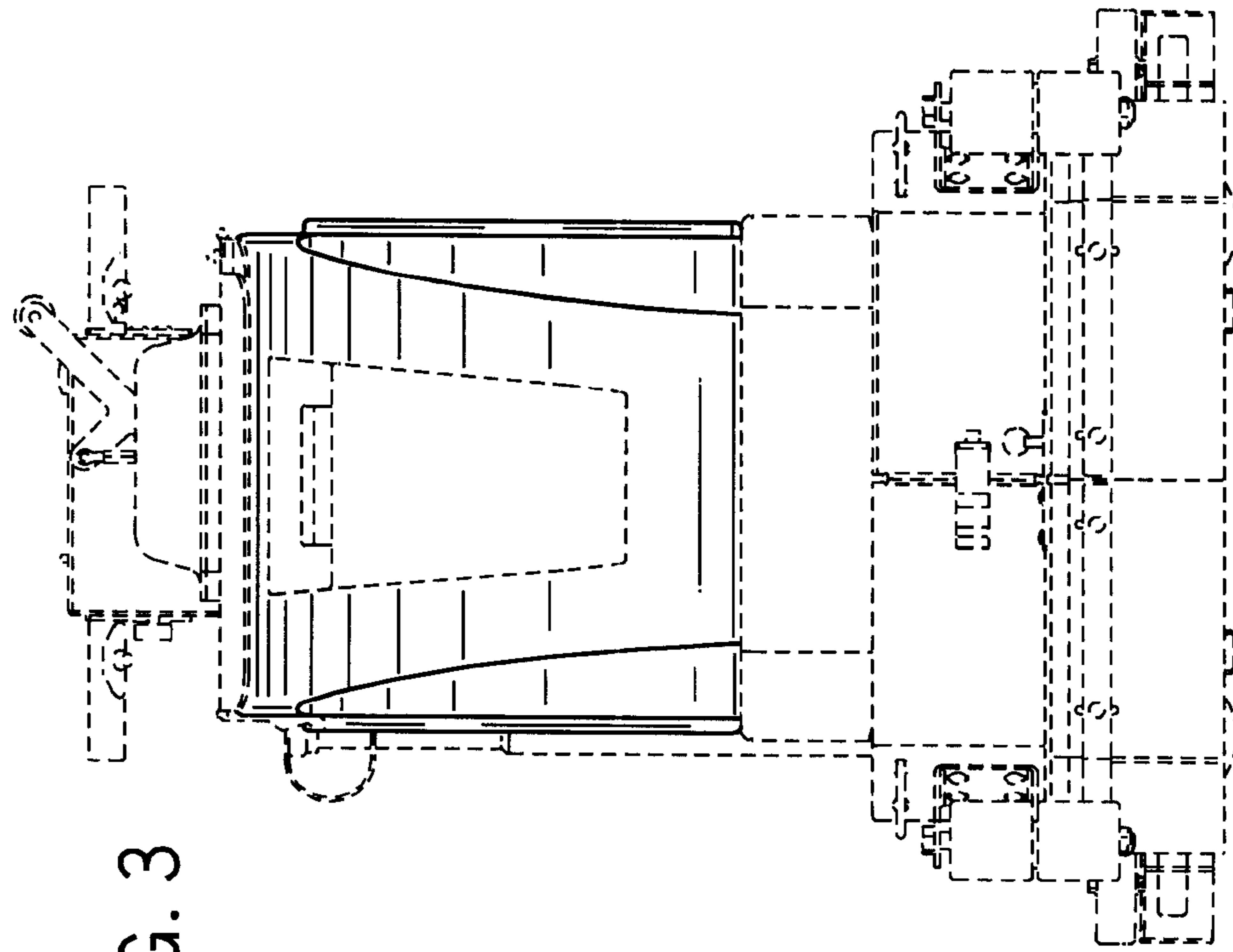


FIG. 3

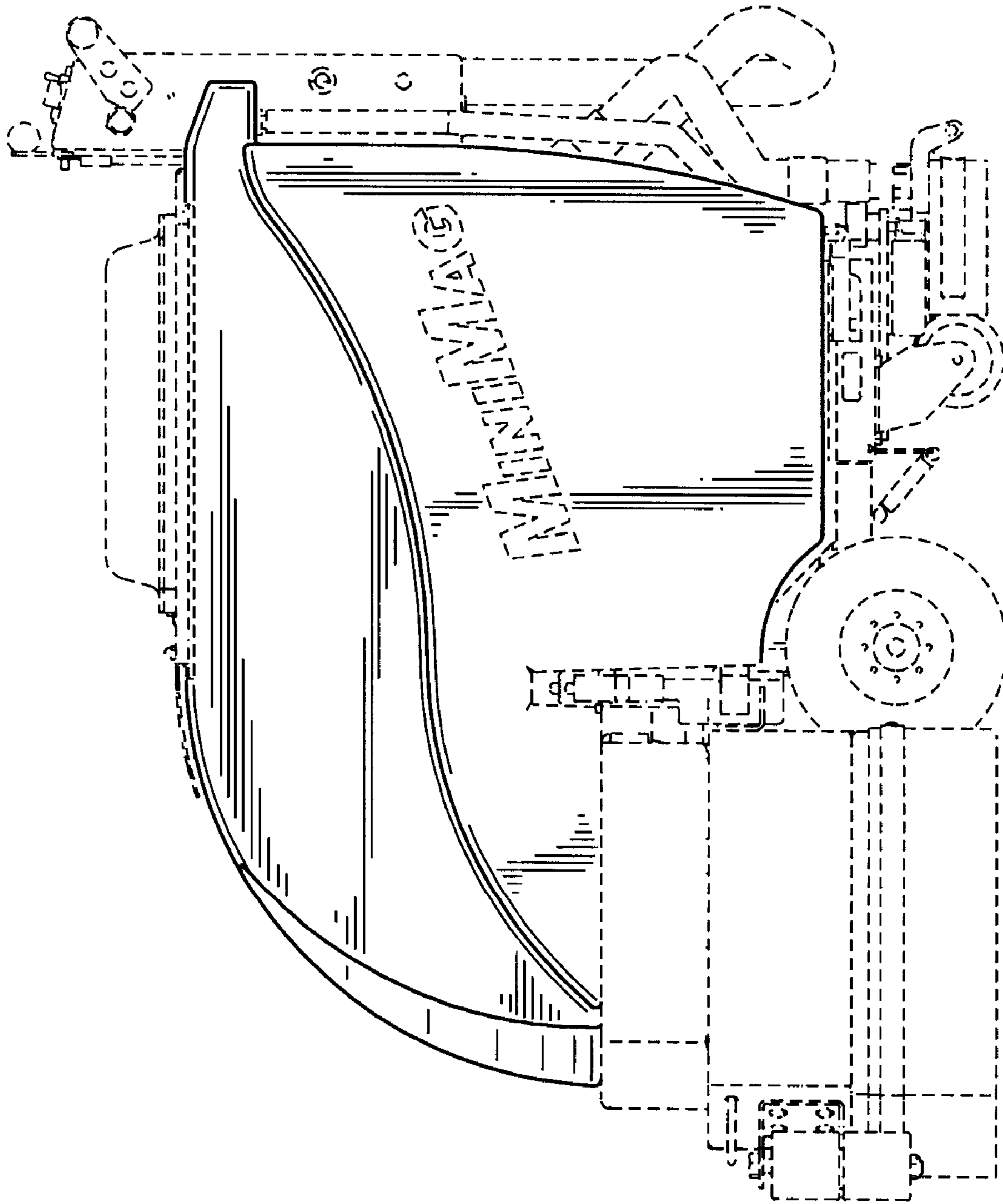


FIG. 5

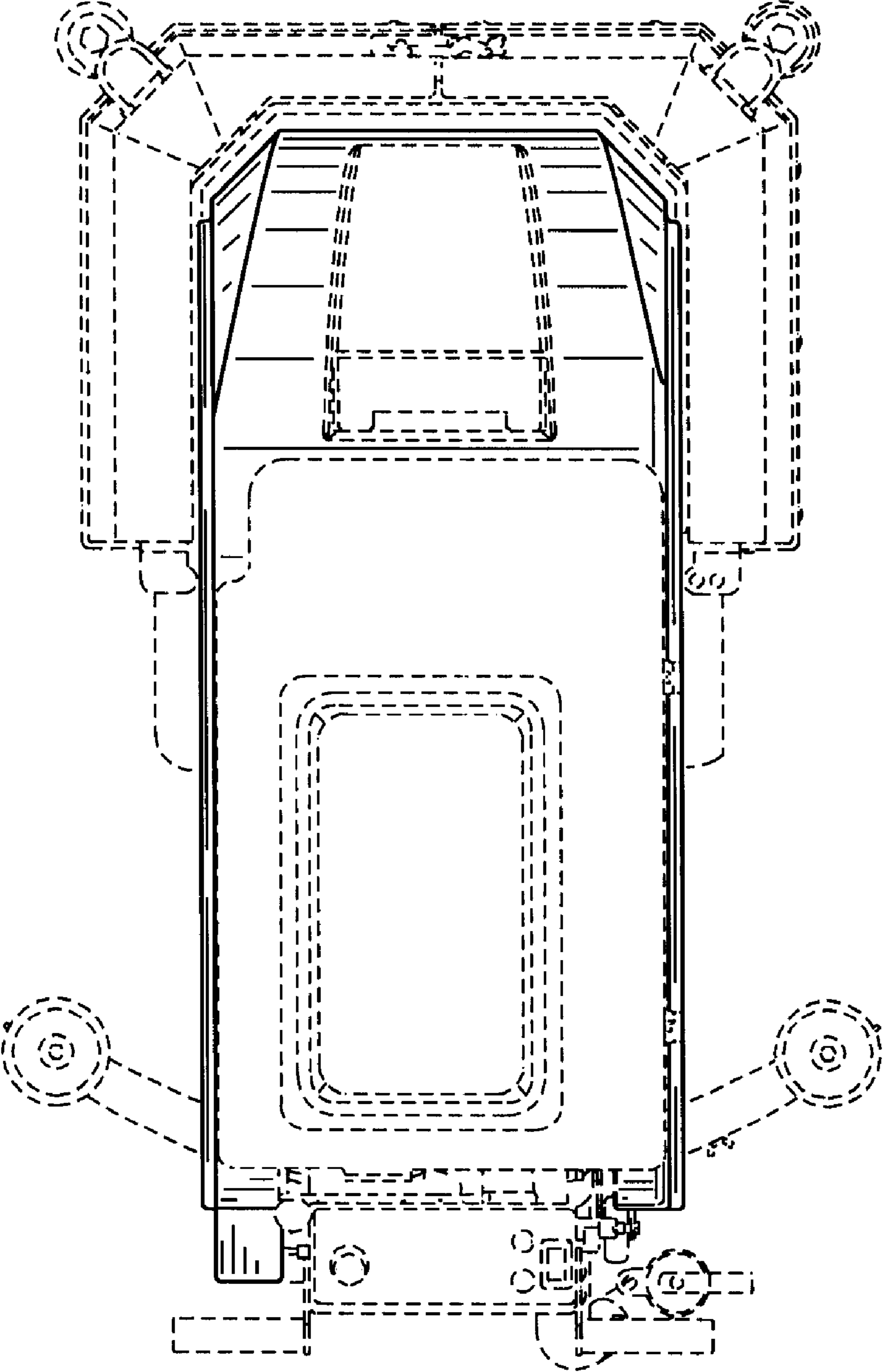


FIG. 6