



US00D569056S

(12) **United States Design Patent** (10) **Patent No.:** **US D569,056 S**
Zhu (45) **Date of Patent:** **** May 13, 2008**

(54) **BUFFING DEVICE**

(75) Inventor: **Qi Zhu**, Shanghai (CN)

(73) Assignee: **Hui Sun**, Shenzhen (CN)

(**) Term: **14 Years**

(21) Appl. No.: **29/291,521**

(22) Filed: **Sep. 4, 2007**

(51) **LOC (8) Cl.** **15-05**

(52) **U.S. Cl.** **D32/15**

(58) **Field of Classification Search** D32/1,
D32/4, 15-22, 25, 33-34; D8/61, 62, 67,
D8/69-70; D4/102; 15/28-29, 21.1, 22.1,
15/23, 32, 34, 97.1

See application file for complete search history.

(56) **References Cited**

U.S. PATENT DOCUMENTS

D350,886 S *	9/1994	Huber et al.	D8/62
D353,310 S *	12/1994	Izumisawa	D8/62
D378,728 S *	4/1997	Seith et al.	D8/62
D386,377 S *	11/1997	Sung	D8/62
D431,437 S *	10/2000	Niwa et al.	D8/62
D443,397 S *	6/2001	Williams	D32/19
D471,329 S *	3/2003	Heun	D32/15
D518,696 S *	4/2006	Schoen	D8/62
D520,688 S *	5/2006	Bakker	D32/19
D534,323 S *	12/2006	Hong	D32/19

OTHER PUBLICATIONS

http://us.stll.yimg.com/us.st.yimg.com/1/autogeek_1979_27941182
Dec. 20, 2007.*

http://us.stll.yimg.com/us.st.yimg.com/1/autogeek_1982_16099238 Dec. 20, 2007.*

* cited by examiner

Primary Examiner—Louis S. Zarfes

Assistant Examiner—Kathleen Sims

(74) *Attorney, Agent, or Firm*—Raymond Y. Chan; David and Raymond Patent Group

(57) **CLAIM**

The ornamental design for a buffing device, as shown and described.

DESCRIPTION

FIG. 1 is a perspective view of buffing device showing my new design.

FIG. 2 is a front view thereof.

FIG. 3 is a rear view thereof.

FIG. 4 is a right end view thereof.

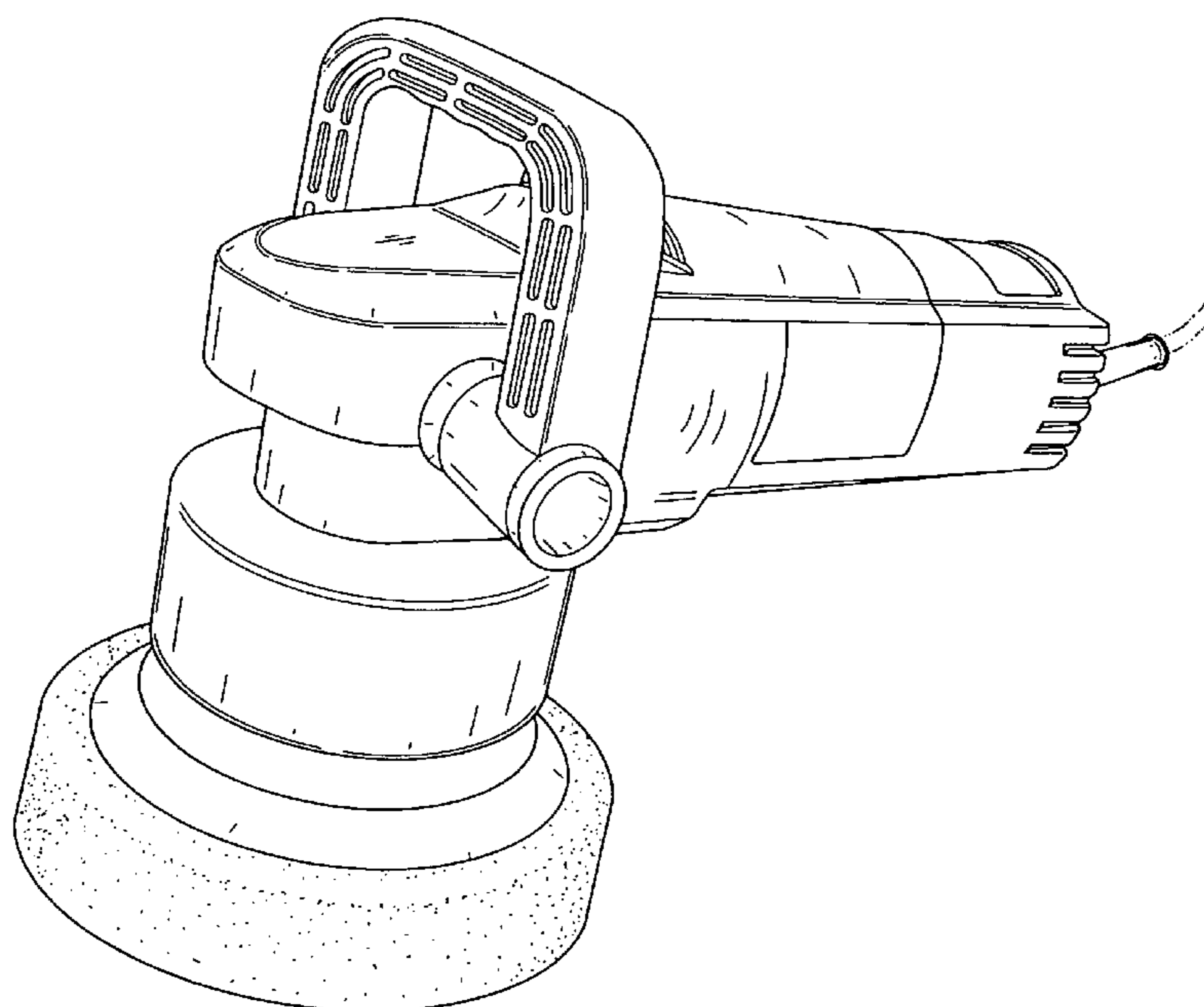
FIG. 5 is a left end view thereof.

FIG. 6 is a top view thereof; and,

FIG. 7 is a bottom view thereof.

The broken line showing of a cord in FIGS. 1-3 and 5-7 is included for the purpose of illustrating portions of the Buffer and forms no part of the claimed design.

1 Claim, 7 Drawing Sheets



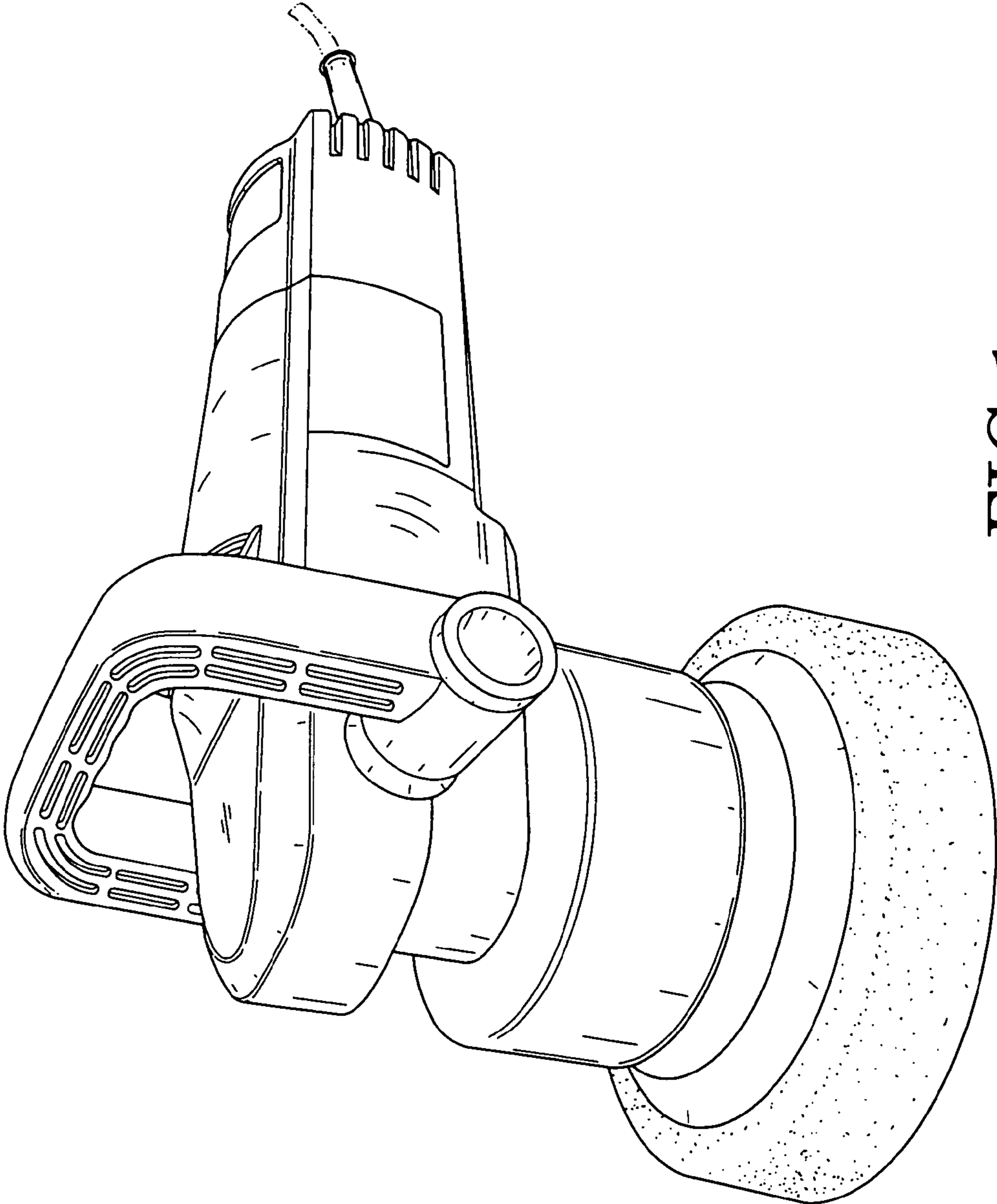


FIG.1

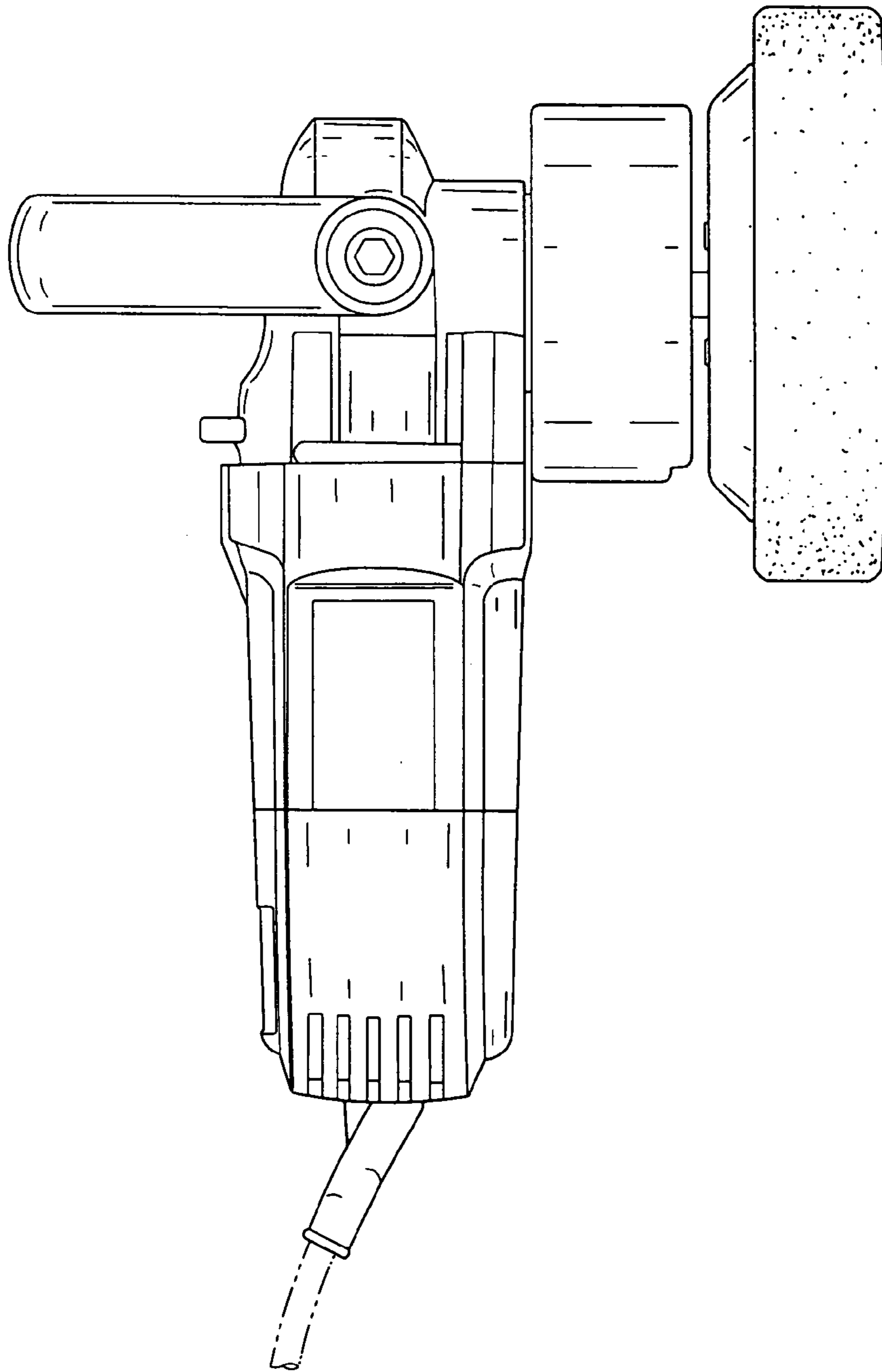


FIG.2

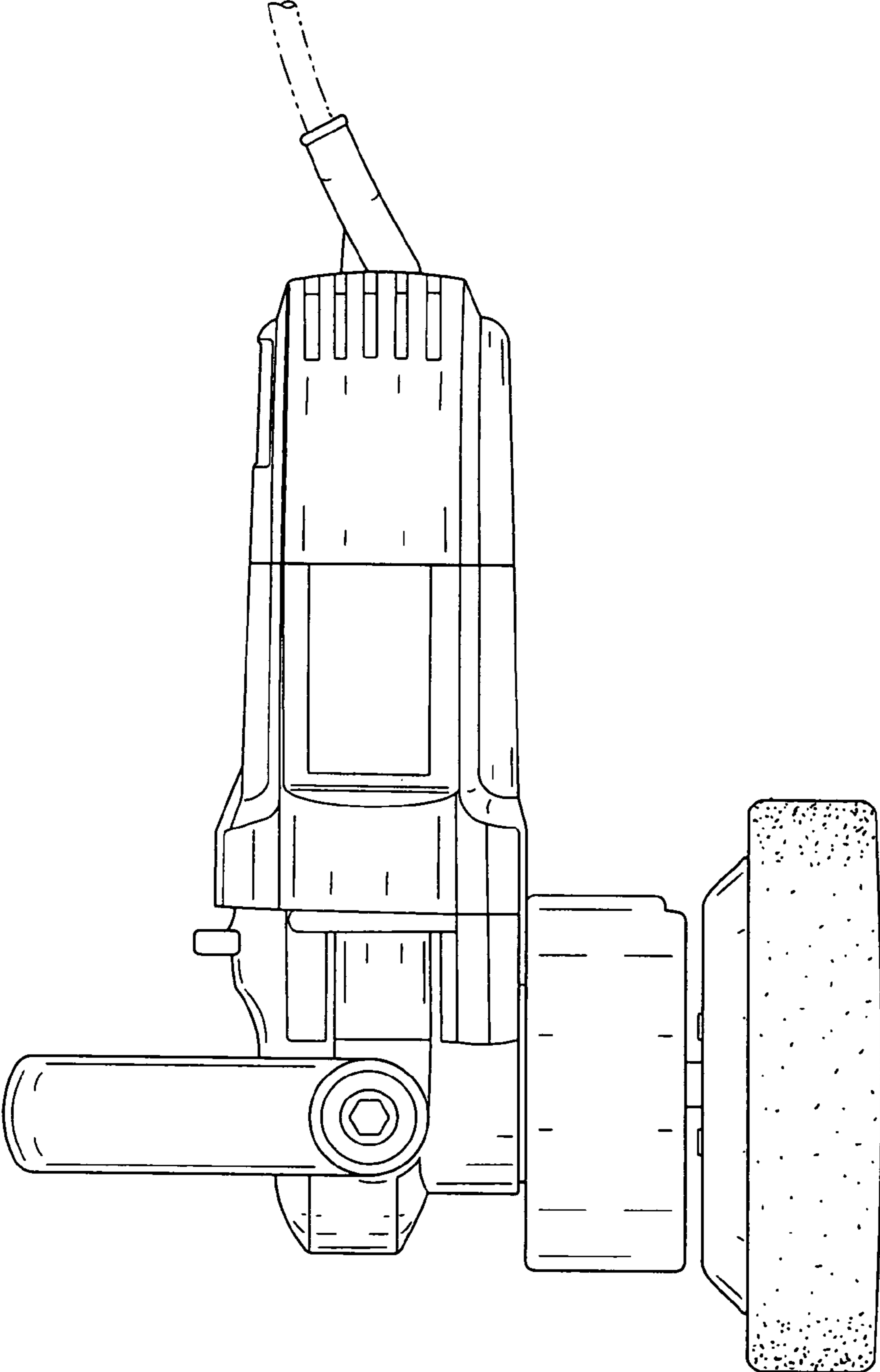


FIG.3

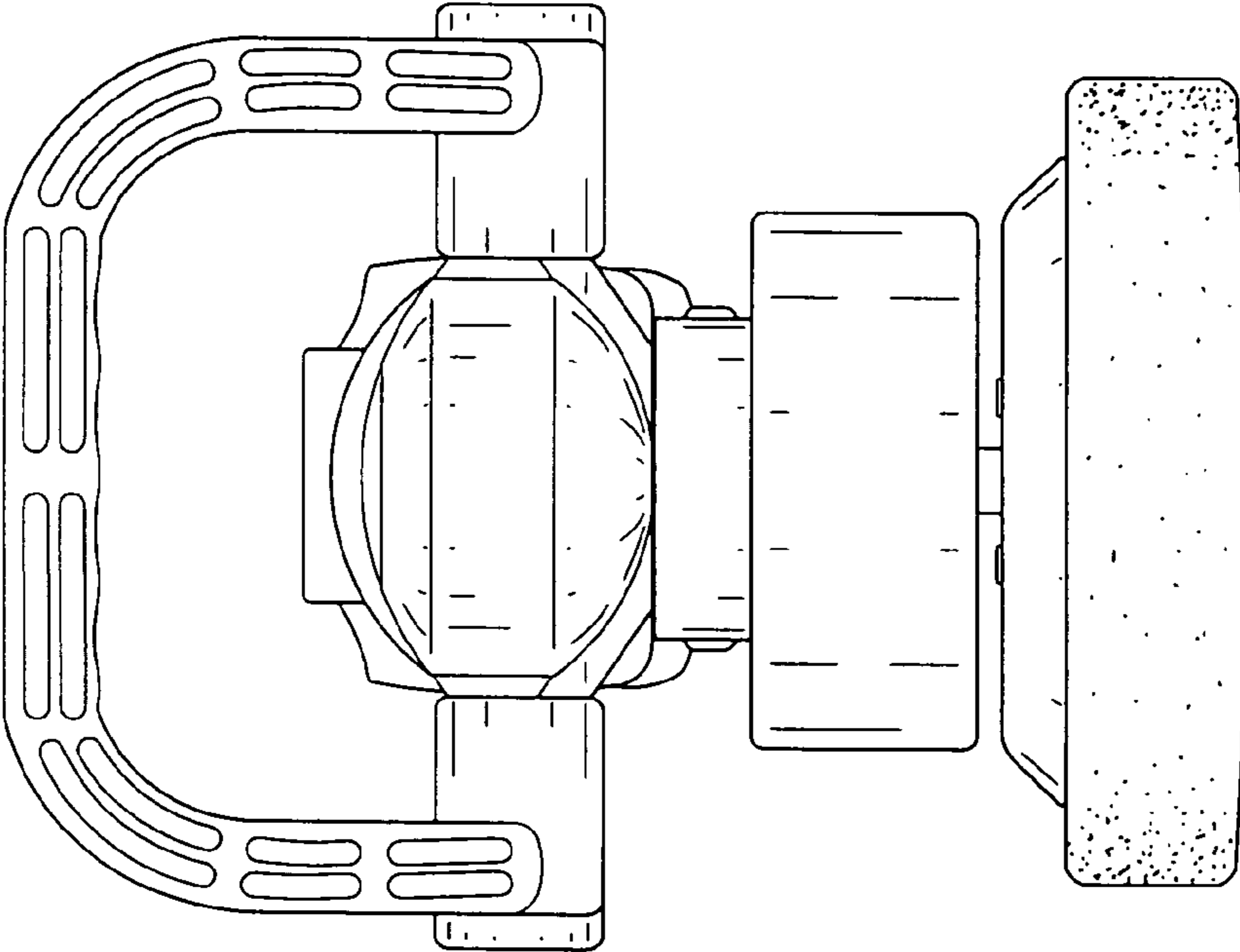


FIG.4

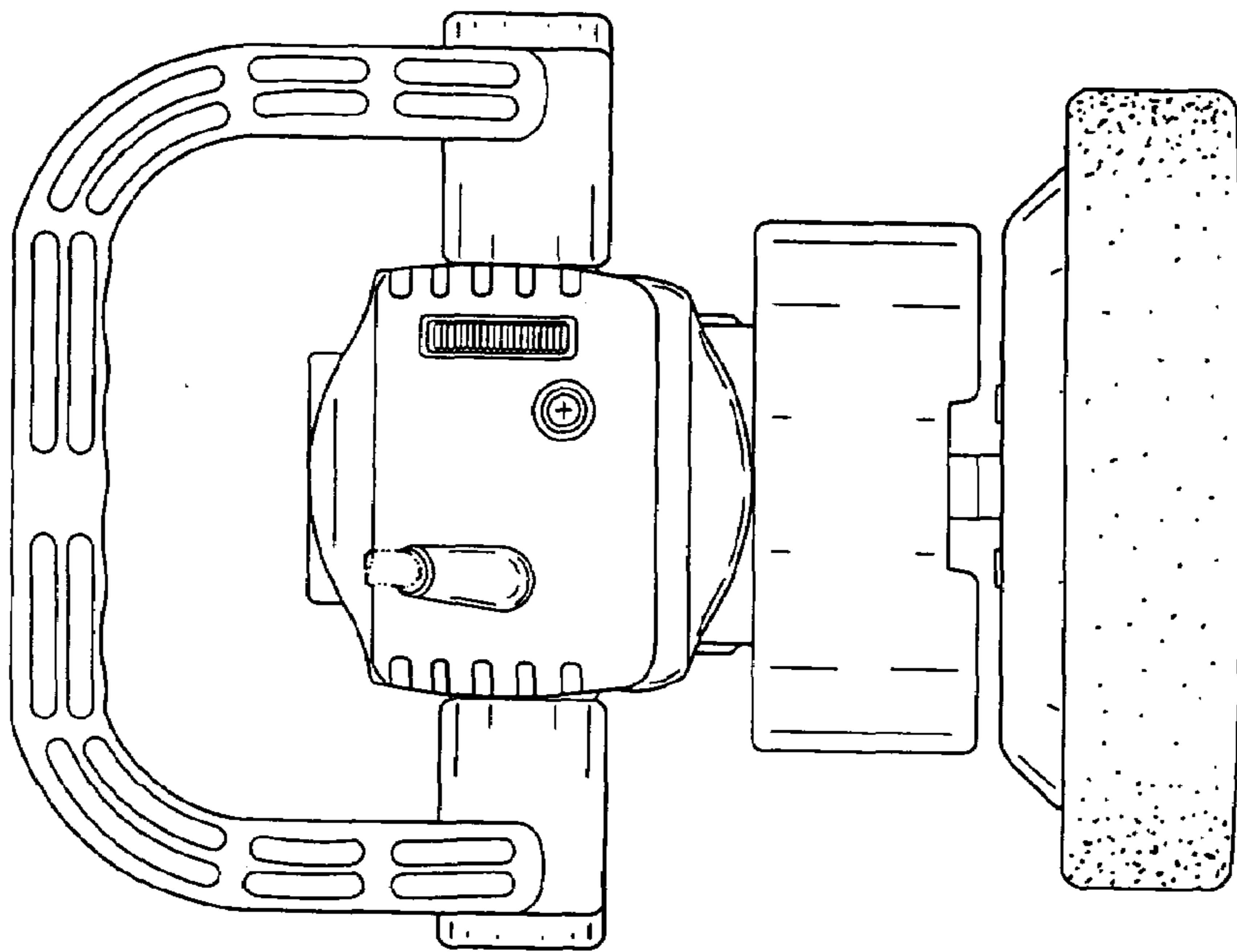


FIG. 5

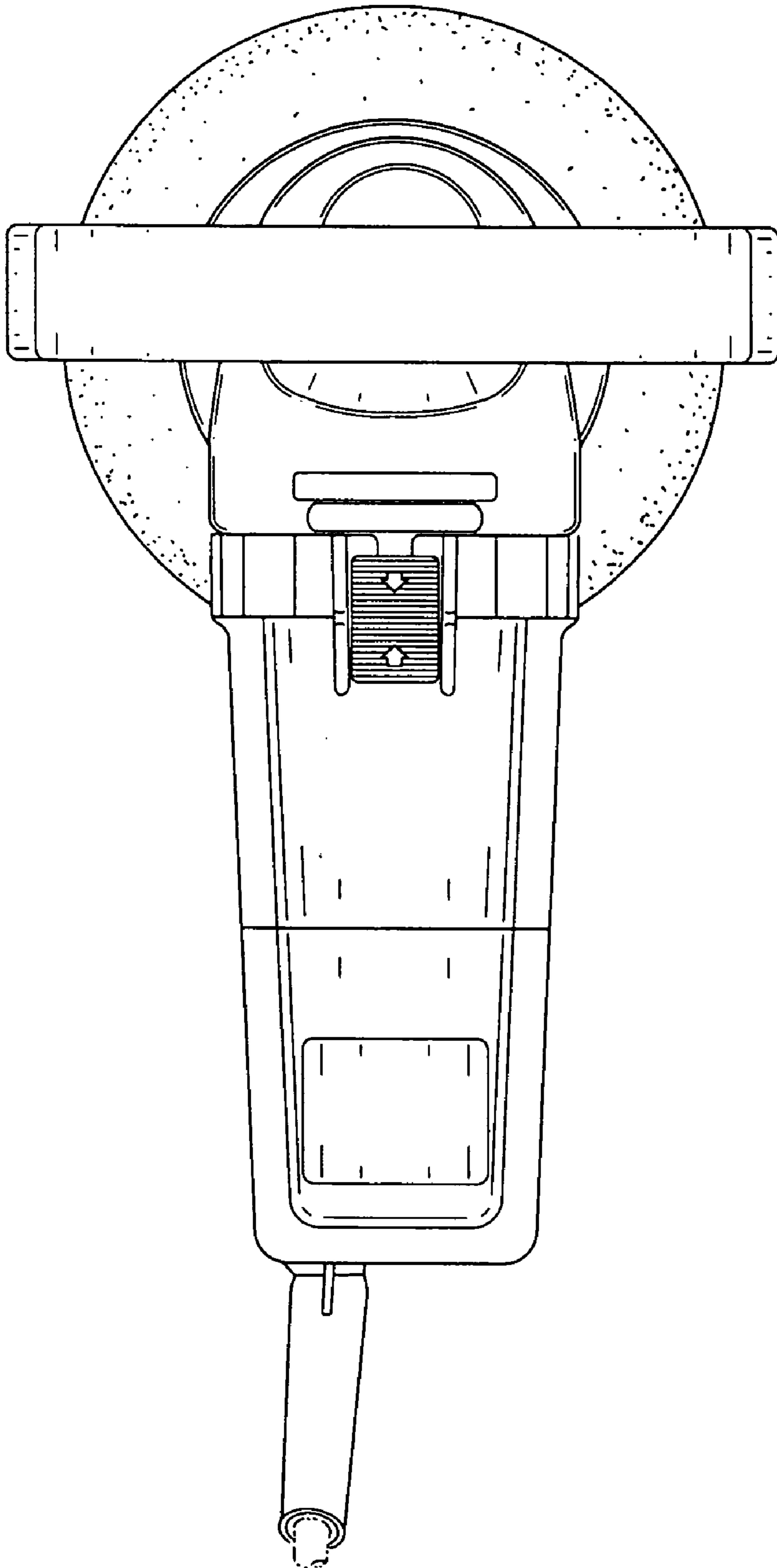


FIG. 6

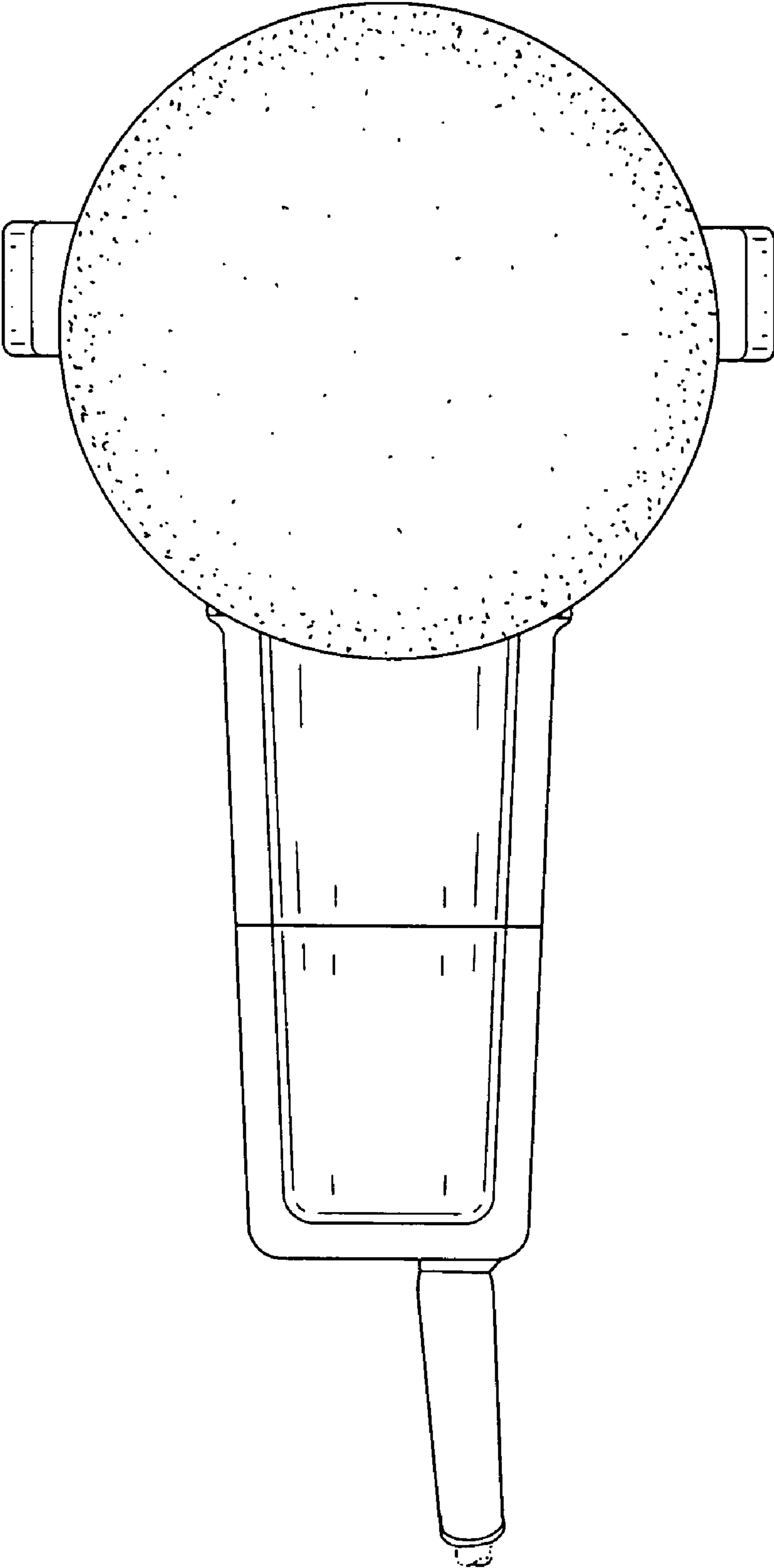


FIG. 7