

US00D569051S

(12) **United States Design Patent** (10) **Patent No.:** **US D569,051 S**
Harvey et al. (45) **Date of Patent:** **** May 13, 2008**

(54) **RFID ANIMAL EAR TAG** D515,252 S * 2/2006 Dumbrell D30/155

(75) Inventors: **Nephi T. Harvey**, Kaysville, UT (US);
Malcolm R. Harvey, Hyde Park, UT
(US); **Ian R. Harvey**, Kaysville, UT
(US); **Christopher F. Smith**, North Salt
Lake, UT (US)

* cited by examiner
Primary Examiner—Melanie Tung
Assistant Examiner—Susan Moon Lee
(74) *Attorney, Agent, or Firm*—John F. O'Rourke

(73) Assignee: **Fort Supply IP, LLC**, Kaysville, UT
(US)

(57) **CLAIM**

We claim the ornamental design for an RFID animal ear tag,
as shown.

(**) Term: **14 Years**

(21) Appl. No.: **29/276,817**

DESCRIPTION

(22) Filed: **Feb. 6, 2007**

FIG. 1 is a perspective view of an RFID animal ear tag, in
accordance with our new design;

(51) **LOC (8) Cl.** **30-08**

FIG. 2 is a front elevational view of the RFID animal ear tag
shown in FIG. 1;

(52) **U.S. Cl.** **D30/155**

(58) **Field of Classification Search** D30/155;
D19/10; D20/43, 22; 40/300, 301; 119/655;
411/531; 606/117, 116; D8/394
See application file for complete search history.

FIG. 3 is a rear elevational view of the RFID animal ear tag
shown in FIG. 1;

FIG. 4 is a side elevational view of the RFID animal ear tag,
taken from the left side of FIG. 1;

(56) **References Cited**

U.S. PATENT DOCUMENTS

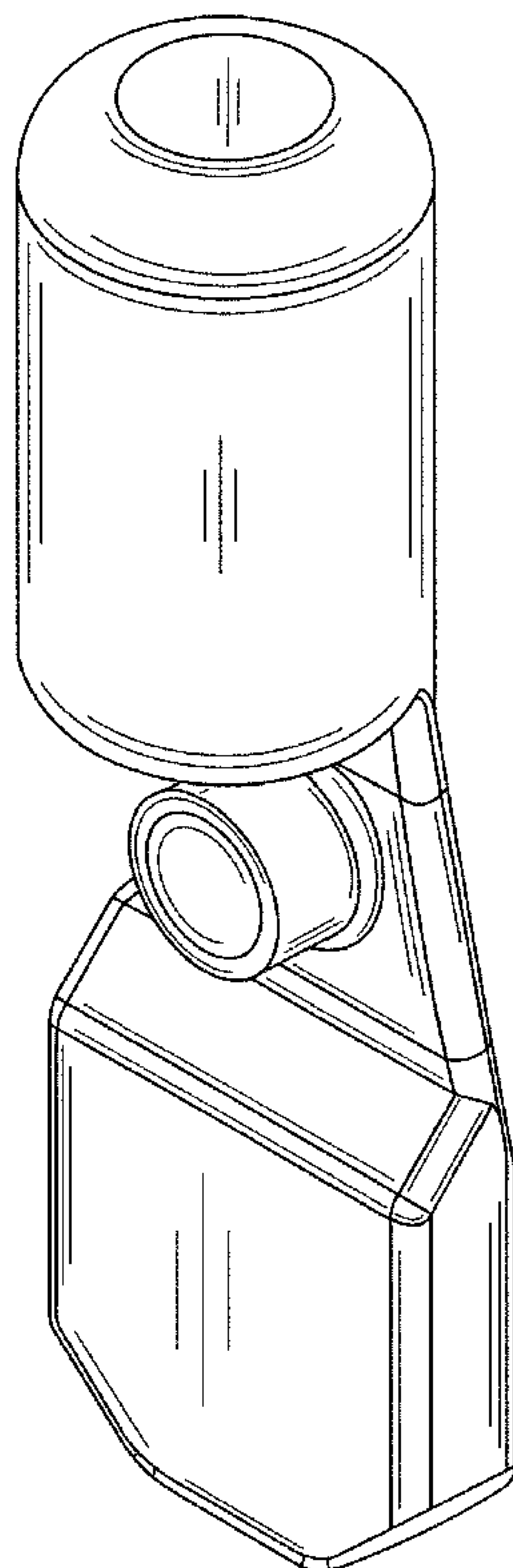
- 4,718,697 A * 1/1988 Berardus van Amelsfort ... 283/
107
- D343,261 S * 1/1994 Eberhardt D30/155
- 5,461,807 A * 10/1995 Johnson 40/301
- D379,253 S * 5/1997 Knapp et al. D30/155
- 6,098,324 A * 8/2000 Nepote 40/301

FIG. 5 is a side elevational view of the RFID animal ear tag,
taken from the right side of FIG. 1;

FIG. 6 is a top plan view of the RFID animal ear tag shown
in FIG. 1; and,

FIG. 7 is a bottom plan view of the RFID animal ear tag
shown in FIG. 1.

1 Claim, 5 Drawing Sheets



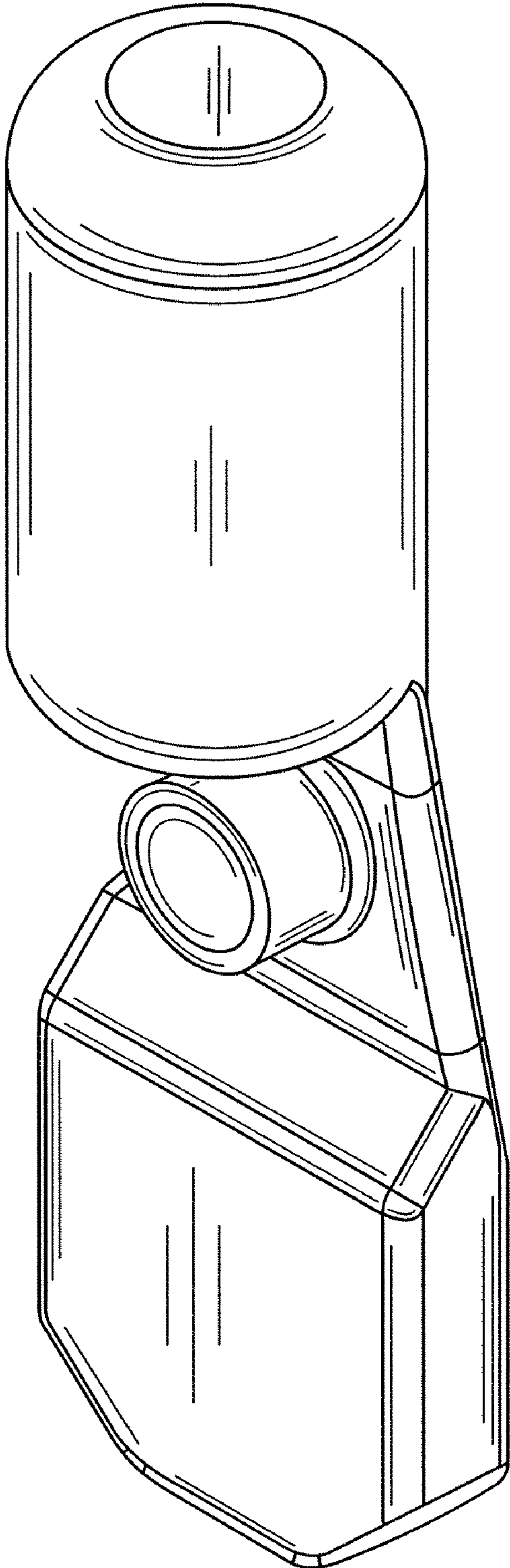


FIG. 1

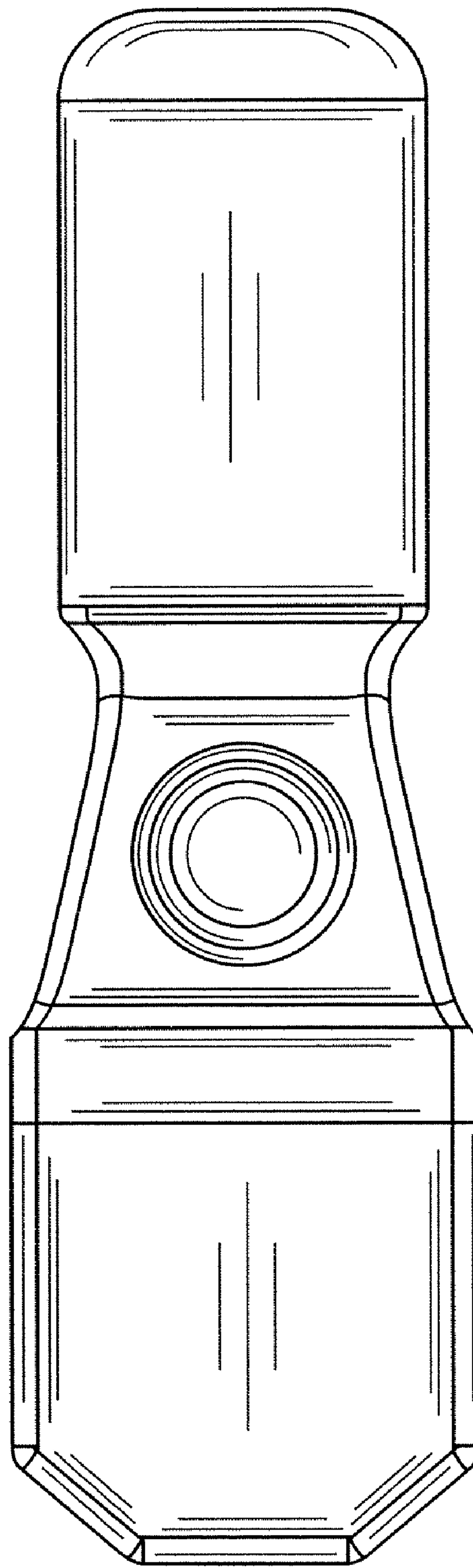


FIG. 2

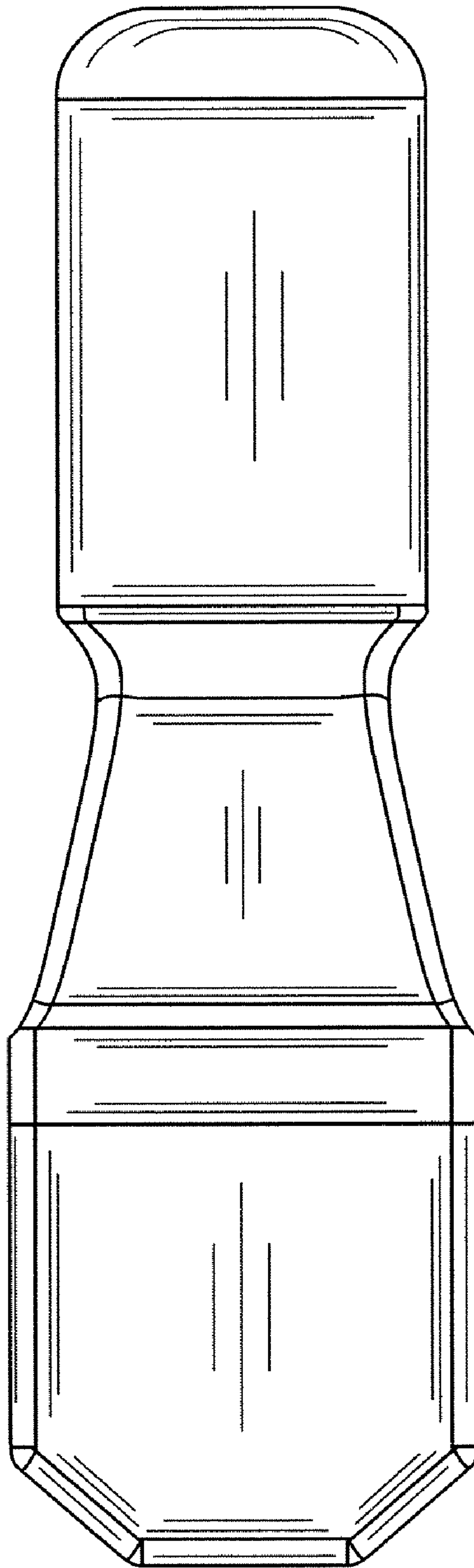


FIG. 3

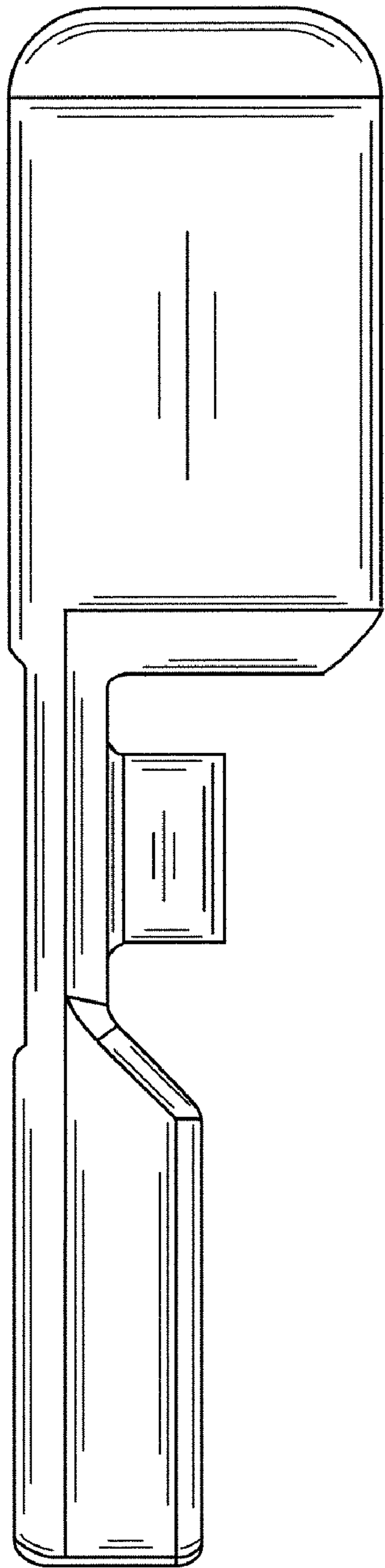


FIG. 4

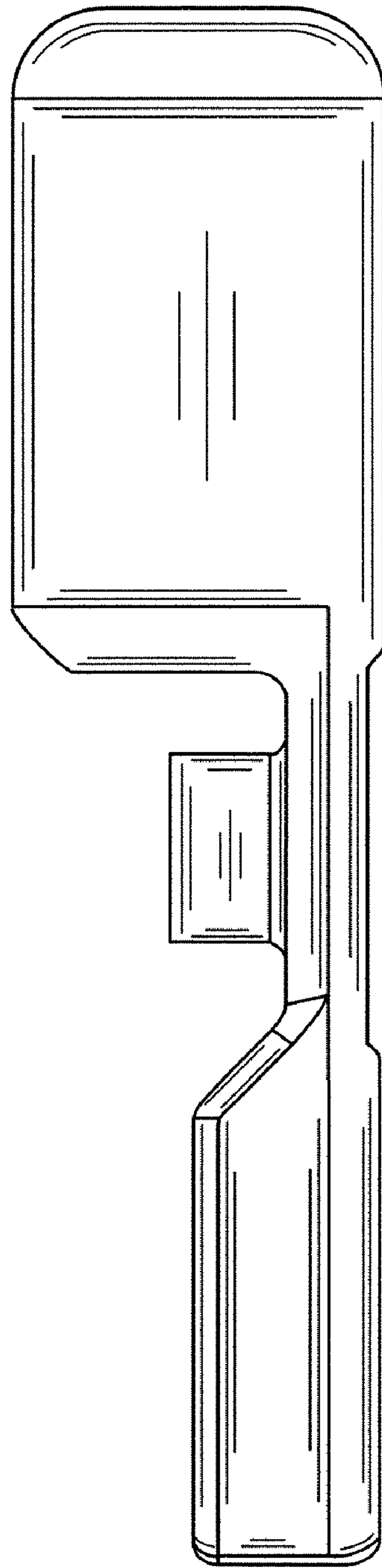


FIG. 5

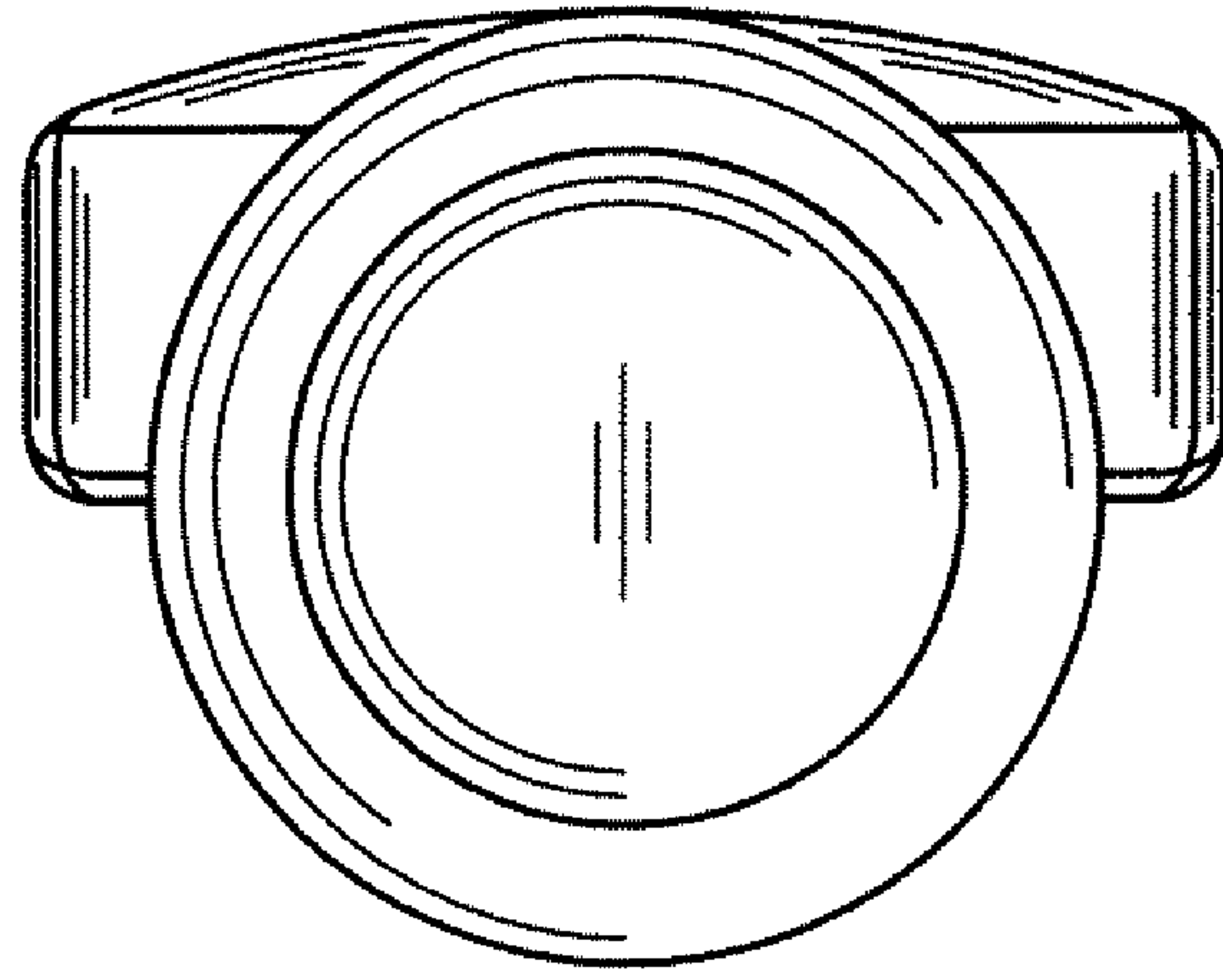


FIG. 6

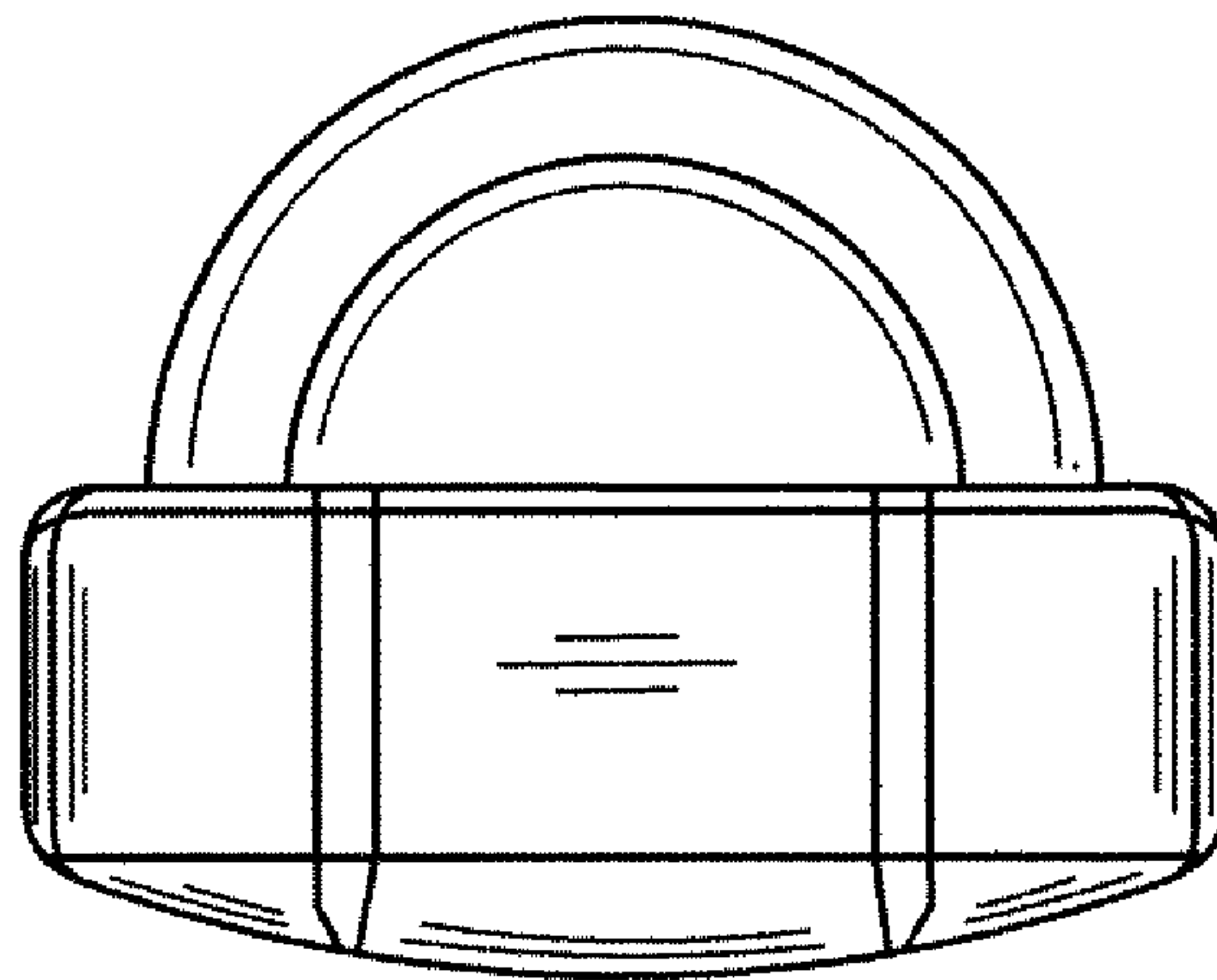


FIG. 7