



US00D569034S

(12) **United States Design Patent**  
**Gutman**

(10) **Patent No.:** **US D569,034 S**

(45) **Date of Patent:** **\*\* May 13, 2008**

(54) **CUTTING CHANNEL OF A CIGAR CUTTER**

2004/0168693 A1\* 9/2004 Kemanjian ..... 131/253

(75) Inventor: **Alberto Gutman**, Miami, FL (US)

\* cited by examiner

(73) Assignee: **Nicaragua Tobacco Imports, Inc.**,  
Miami, FL (US)

*Primary Examiner*—Jennifer Rivard

(74) *Attorney, Agent, or Firm*—Jose Gutman; Fleit Kain  
Gibbons Gutman Bongini & Bianco P.L.

(\*\*) Term: **14 Years**

(57) **CLAIM**

(21) Appl. No.: **29/279,747**

I claim the ornamental design for a cutting channel of a cigar  
cutter, as shown and described.

(22) Filed: **May 7, 2007**

(51) **LOC (8) Cl.** ..... **27-99**

(52) **U.S. Cl.** ..... **D27/195**

(58) **Field of Classification Search** ..... D27/194,  
D27/195; 131/248–255; 30/109–113  
See application file for complete search history.

**DESCRIPTION**

(56) **References Cited**

U.S. PATENT DOCUMENTS

1,119,220	A	*	12/1914	Bates	.....	30/113
1,186,291	A	*	6/1916	Davis	.....	30/112
D391,016	S	*	2/1998	Marusiak	.....	D27/195
D409,795	S	*	5/1999	White et al.	.....	D27/195
D413,408	S	*	8/1999	White et al.	.....	D27/195
6,062,227	A		5/2000	Kuenzel		

FIG. 1 is a rear side perspective view of a cutting channel of  
a cigar cutter, showing my new design;

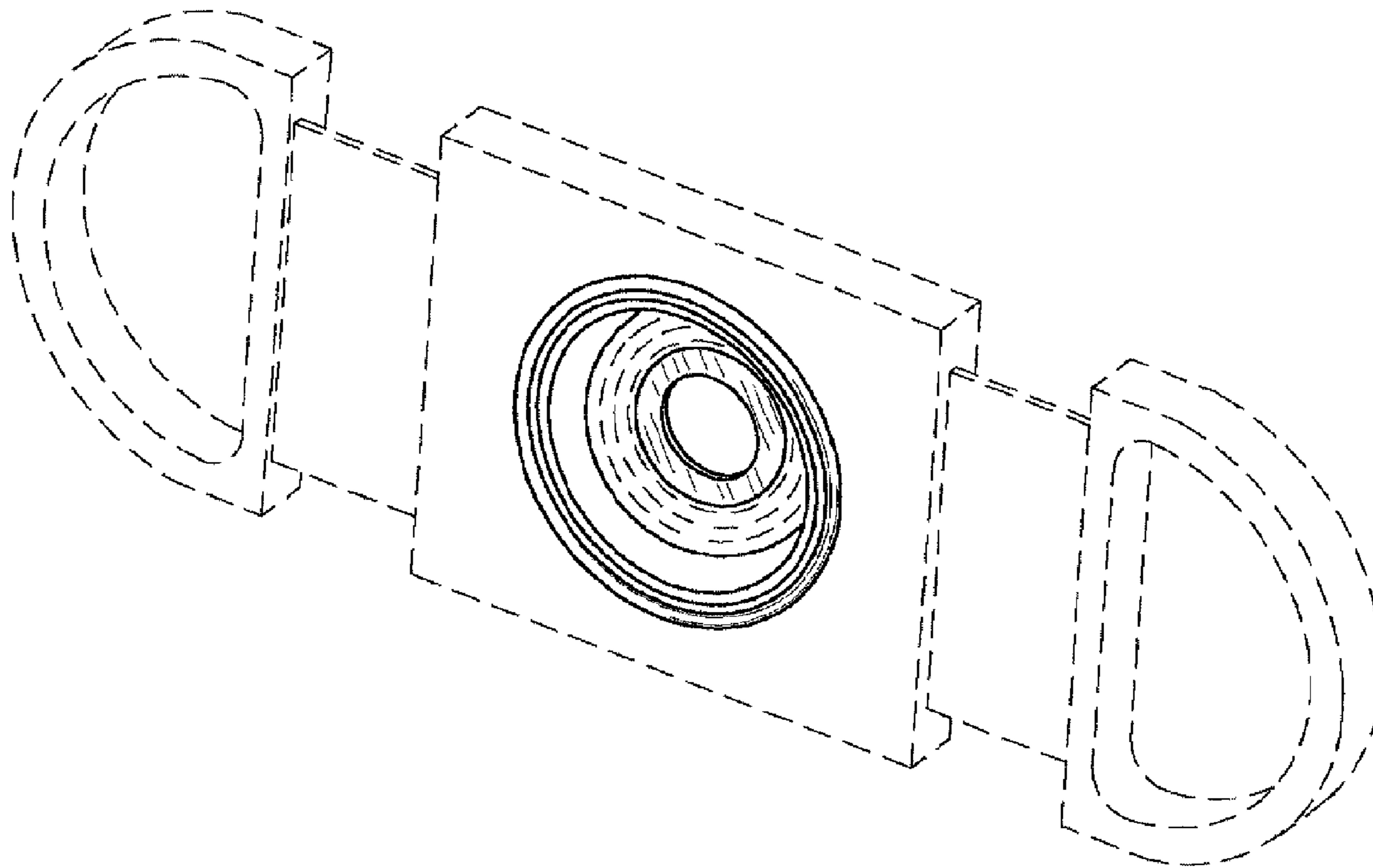
FIG. 2 is a front side perspective view thereof;

FIG. 3 is a front elevation view with the cutting blades fully  
retracted; and,

FIG. 4 is a front elevation view with the cutting blades  
partially retracted.

The broken lines disclosures of the cigar and cigar cutter are  
shown for illustrative purposes only and form no part of the  
claimed design.

**1 Claim, 4 Drawing Sheets**



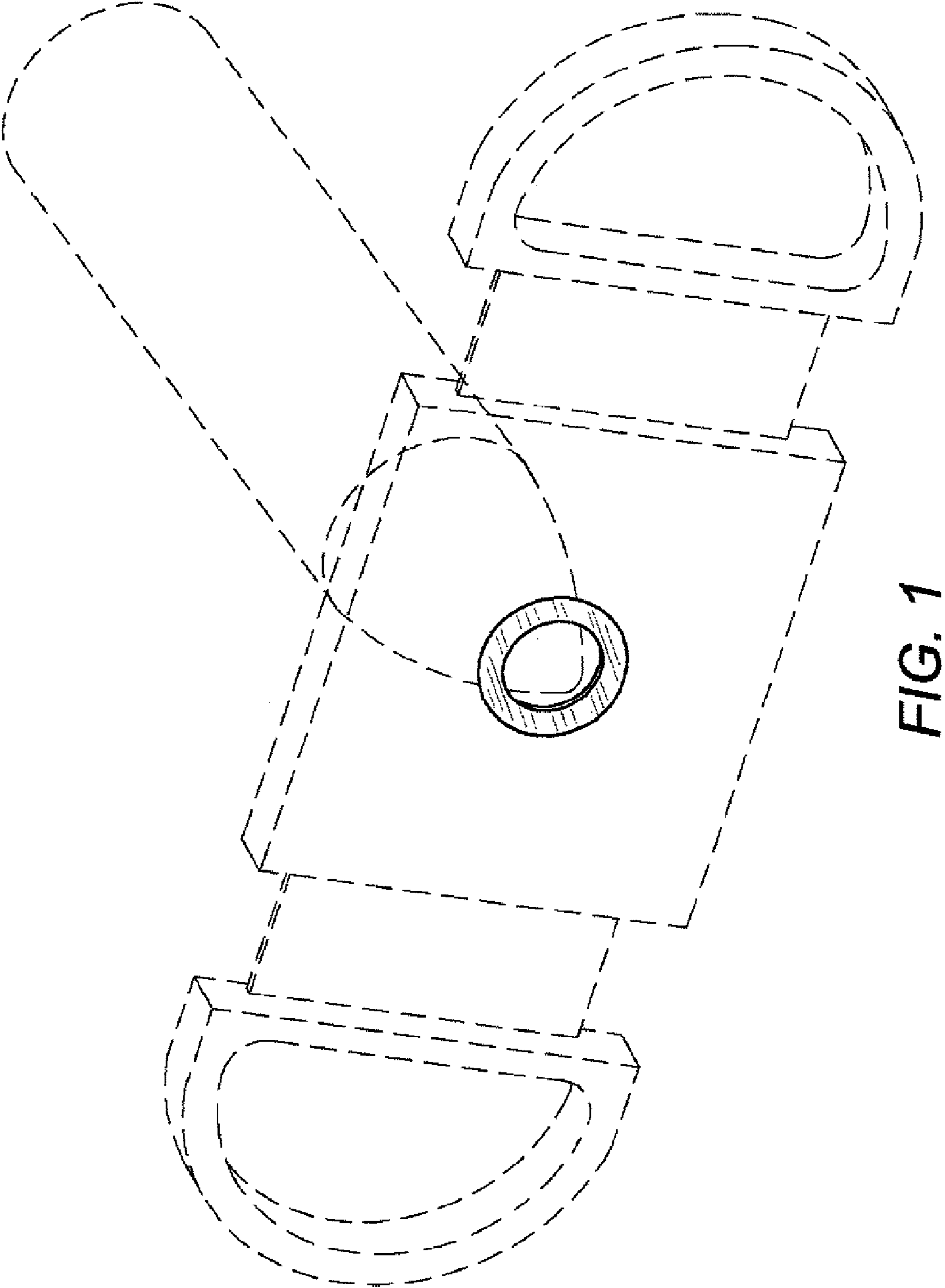


FIG. 1

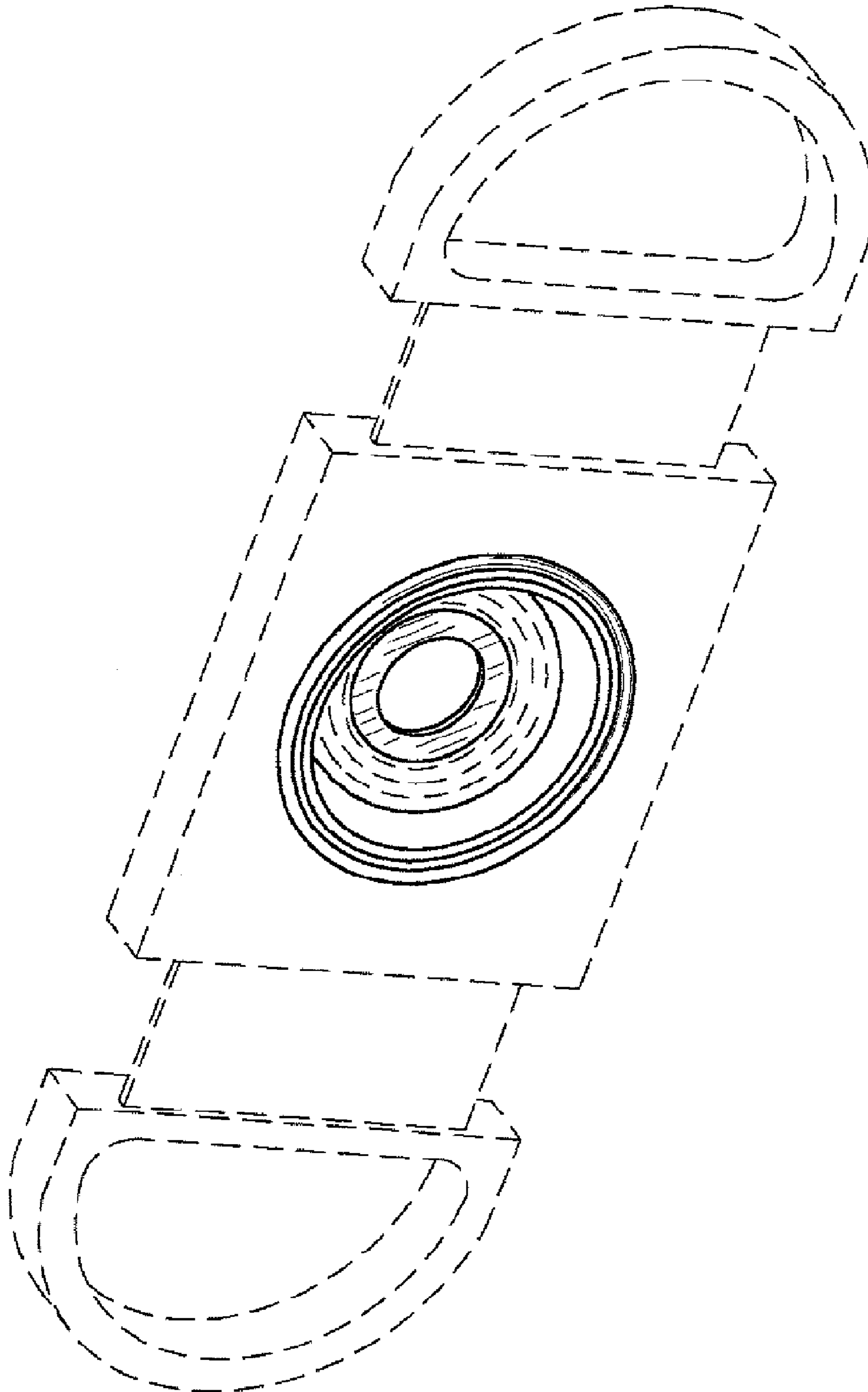


FIG. 2

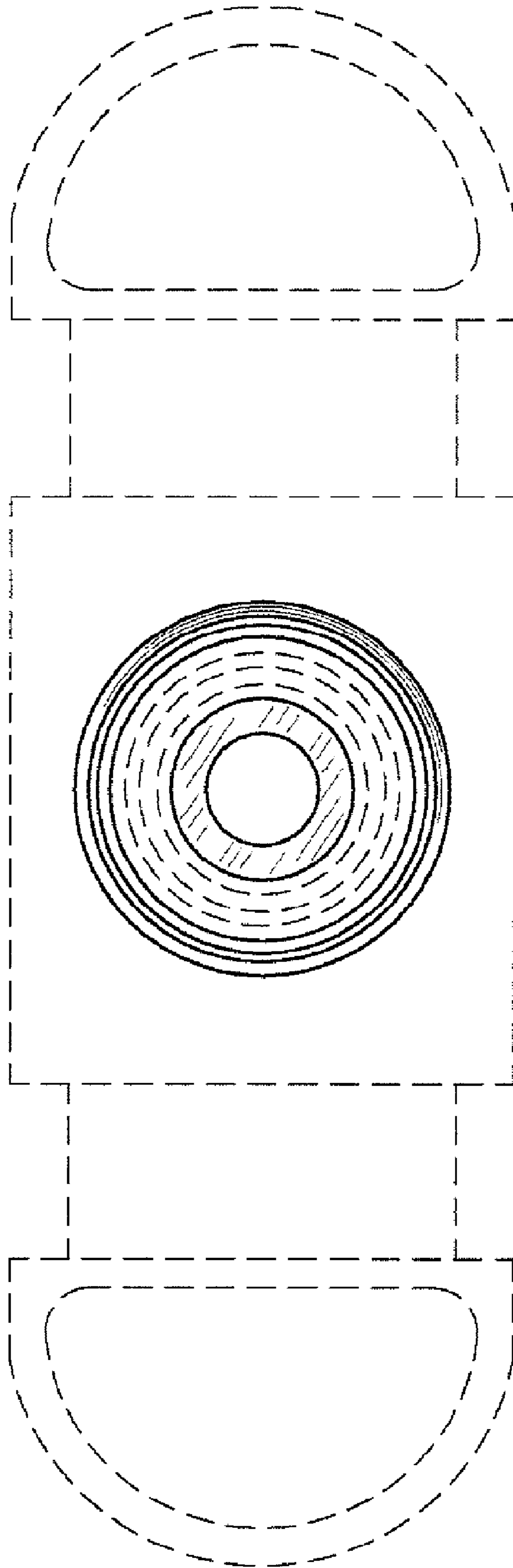


FIG. 3

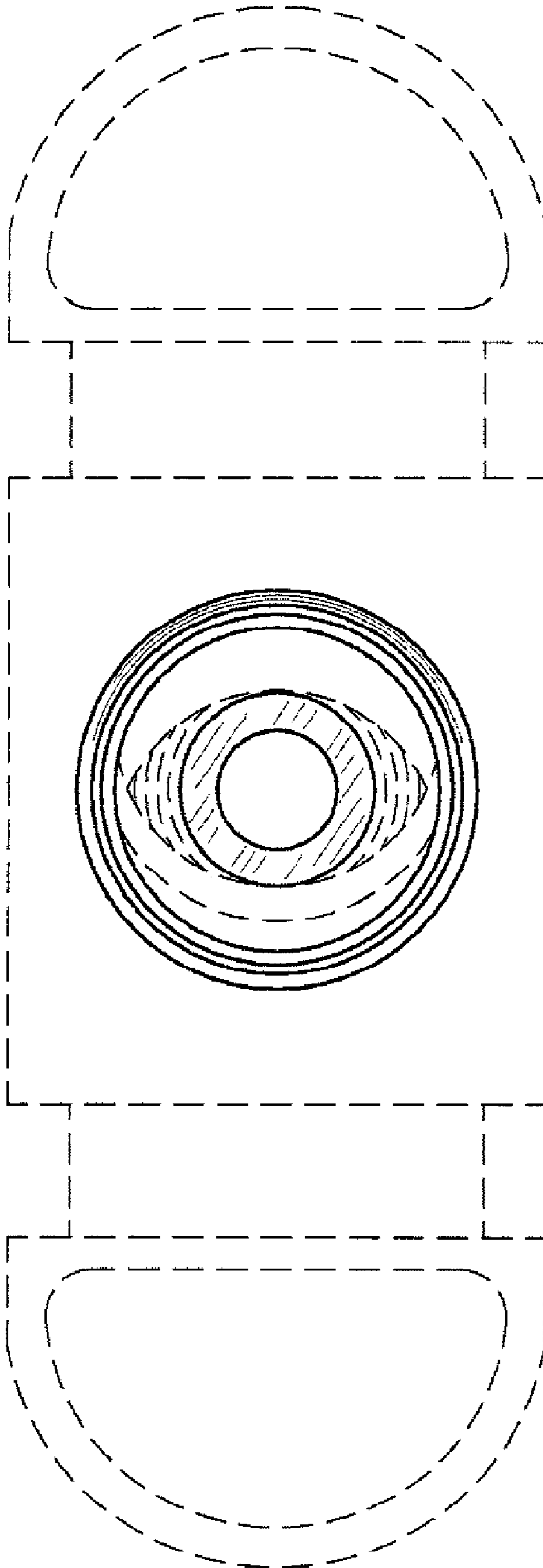


FIG. 4