



US00D569031S

(12) **United States Design Patent**  
**Friedman et al.**

(10) **Patent No.:** **US D569,031 S**

(45) **Date of Patent:** **\*\* May 13, 2008**

(54) **LIGHTING FIXTURE**

(75) Inventors: **Frank A. Friedman**, Mill Valley, CA (US); **Michael Trung Tran**, Oakland, CA (US)

(73) Assignee: **Acuity Brands, Inc.**, Atlanta, GA (US)

(\*\*) Term: **14 Years**

(21) Appl. No.: **29/291,040**

(22) Filed: **Aug. 10, 2007**

(51) **LOC (8) Cl.** ..... **26-03**

(52) **U.S. Cl.** ..... **D26/85; D26/71**

(58) **Field of Classification Search** ..... D26/71, D26/72, 85, 88, 89, 121, 122; 362/147, 348-350, 362/367, 432, 806, 572

See application file for complete search history.

(56) **References Cited**

**U.S. PATENT DOCUMENTS**

D201,700 S *	7/1965	Stockwell	.....	D26/71
D207,273 S *	3/1967	Müller	.....	D26/68
D371,857 S *	7/1996	Gismondi	.....	D26/85
D465,868 S *	11/2002	Gaskins et al.	.....	D26/72
D468,051 S *	12/2002	Gaskins et al.	.....	D26/123
D496,120 S *	9/2004	Cooper et al.	.....	D26/71
7,025,482 B2 *	4/2006	Yamashita et al.	.....	362/511

\* cited by examiner

*Primary Examiner*—Clare E Heflin

(74) *Attorney, Agent, or Firm*—Donald L. Beeson; Beeson Skinner Beverly, LLP

(57) **CLAIM**

The ornamental design for a lighting fixture, as shown and described.

**DESCRIPTION**

FIG. 1 is a top perspective view of a lighting fixture showing our new design;

FIG. 2 is a front elevational view thereof;

FIG. 3 is a left side elevational view thereof, the right side being a mirror image;

FIG. 4 is a bottom plan view thereof;

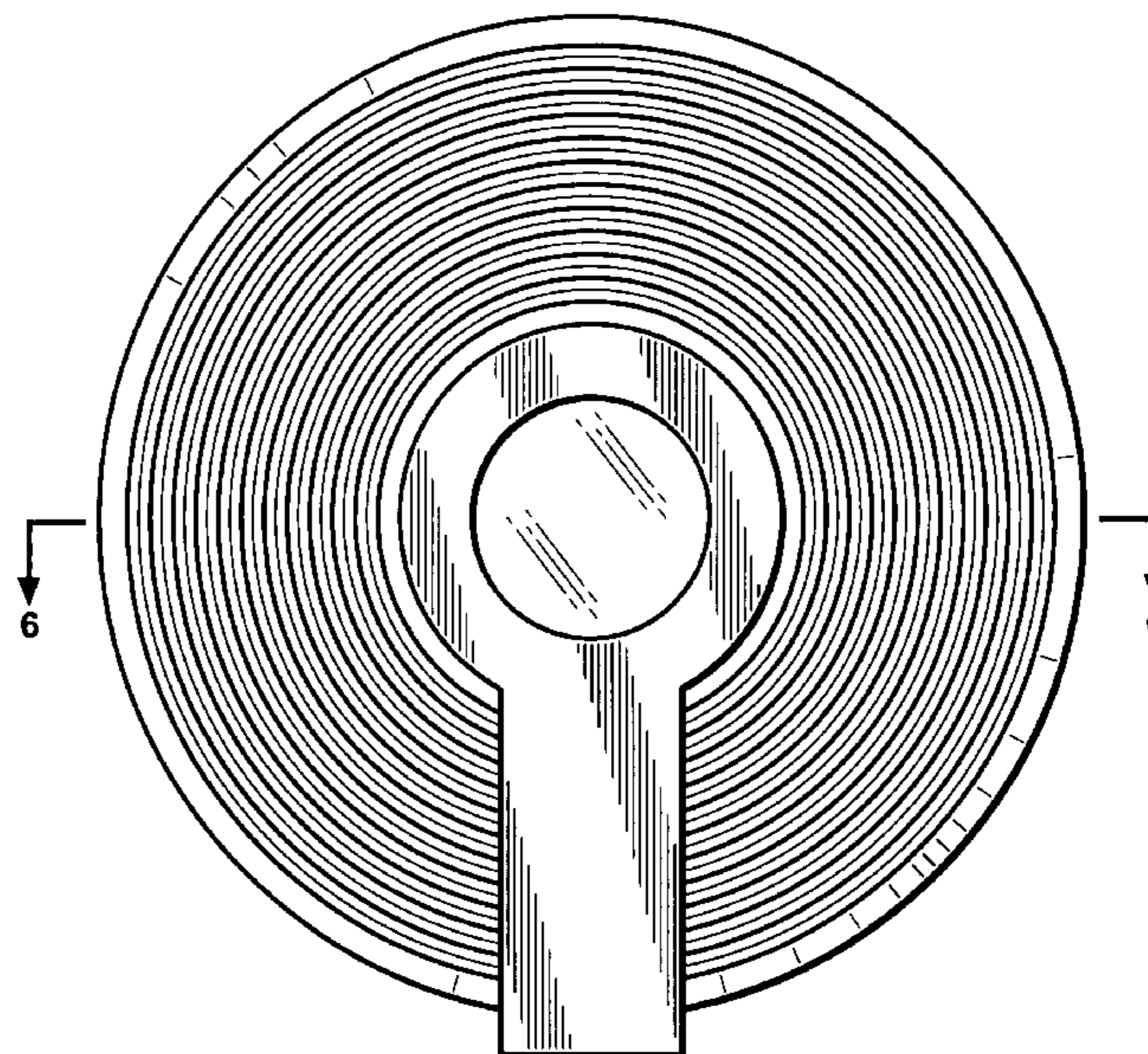
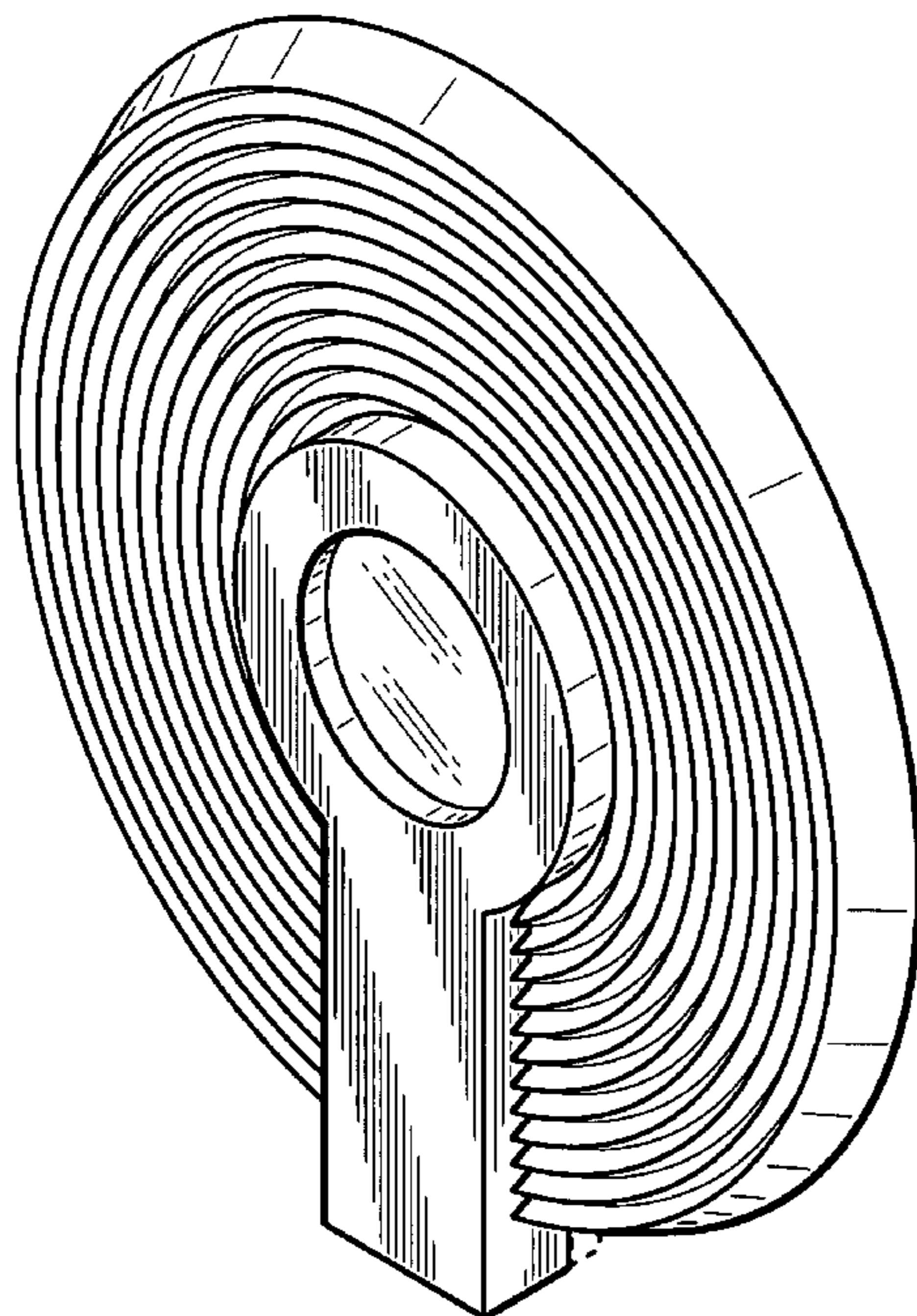
FIG. 5 is a top plan view thereof; and,

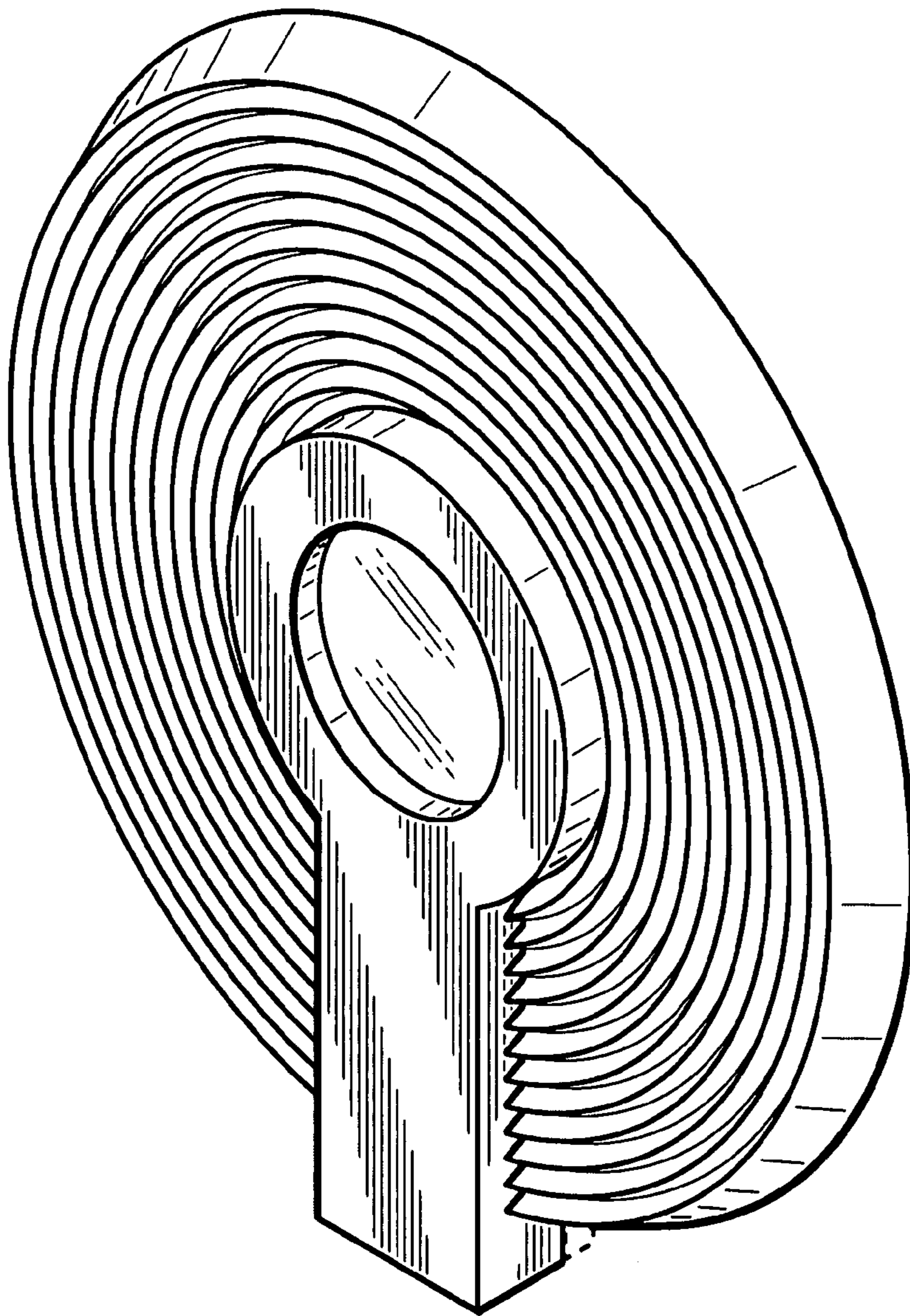
FIG. 6 is sectional view thereof taken along lines 6—6 in FIG. 2, clarifying the shape of our new design.

The rear of the lighting fixture is flat and unornamented and forms no part of our design.

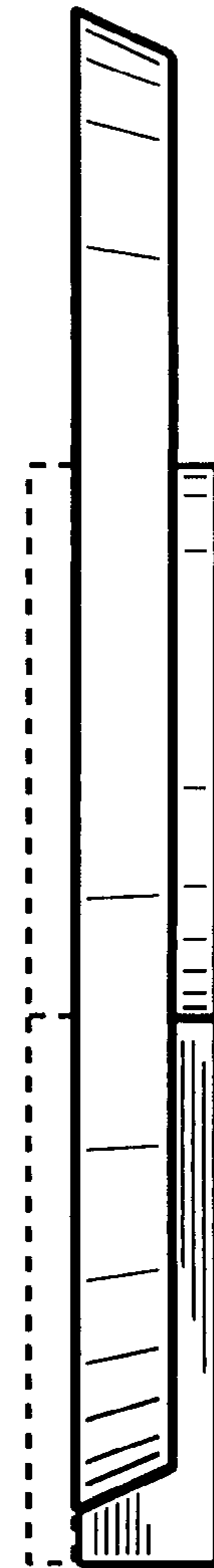
The broken line showing of a back cover is for illustrative purposes only and forms no part of the claimed design.

**1 Claim, 2 Drawing Sheets**



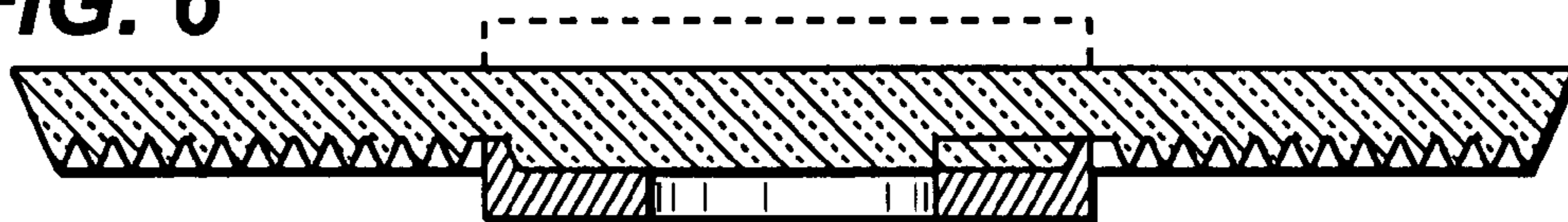


**FIG. 1**



**FIG. 3**

**FIG. 6**





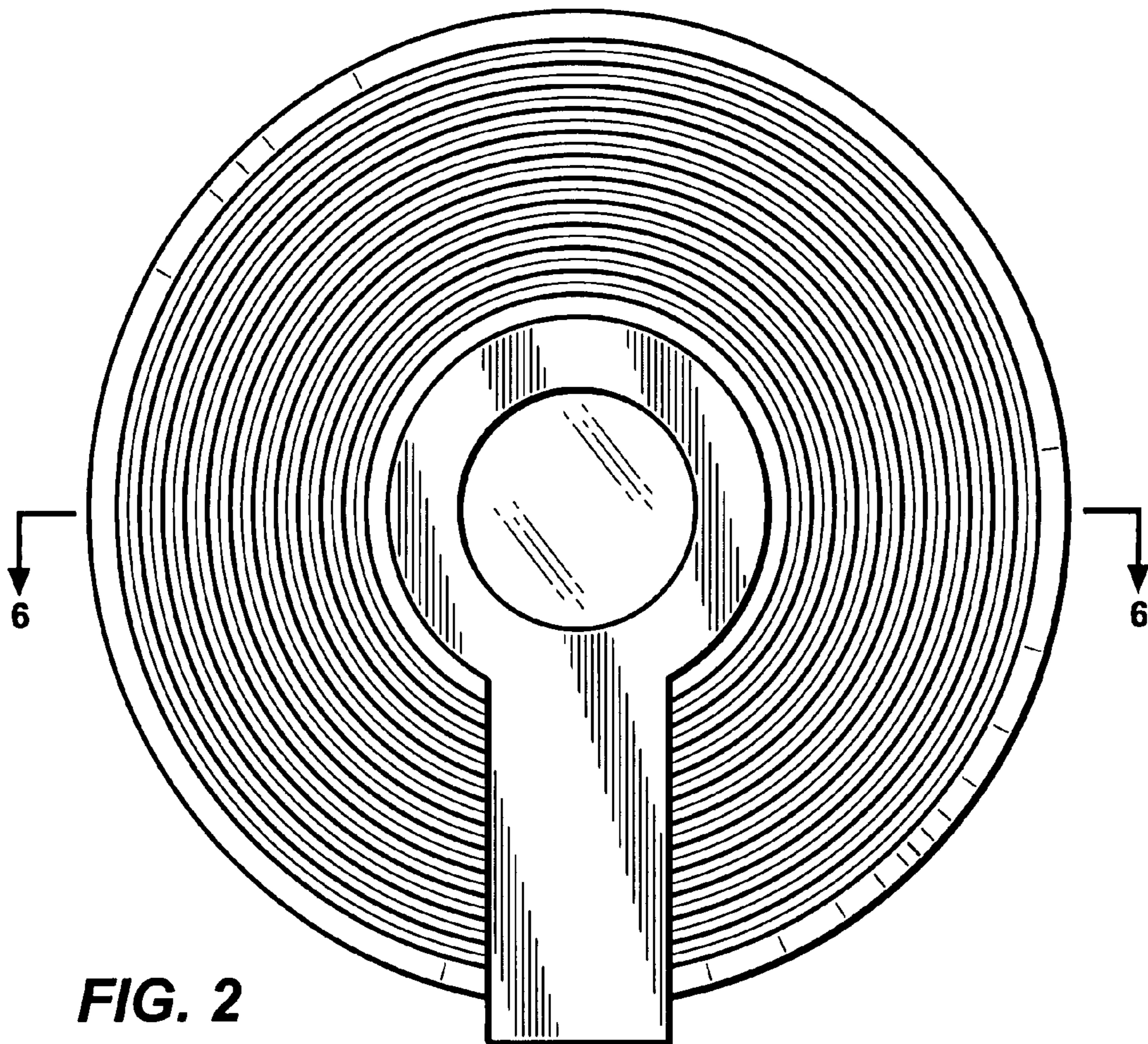


FIG. 4



FIG. 5

