



US00D569028S

(12) **United States Design Patent**
Sandell

(10) **Patent No.:** **US D569,028 S**

(45) **Date of Patent:** **** May 13, 2008**

(54) **AREA LIGHT**

(75) Inventor: **Donald R. Sandell**, San Jose, CA (US)

(73) Assignee: **EML Technologies LLC**, Danville, CA (US)

(**) Term: **14 Years**

(21) Appl. No.: **29/277,068**

(22) Filed: **Feb. 12, 2007**

(51) **LOC (8) Cl.** **26-03**

(52) **U.S. Cl.** **D26/85**

(58) **Field of Classification Search** D26/72,
D26/85, 88, 89, 121, 122; 362/147, 348-350,
362/367, 432, 806

See application file for complete search history.

(56) **References Cited**

U.S. PATENT DOCUMENTS

D188,912 S *	9/1960	Lasker	D26/85
D201,199 S *	5/1965	Van Steenhoven	D26/85
D202,803 S *	11/1965	Wince	D26/85
D249,291 S *	9/1978	Pemberton	D26/85
D305,694 S *	1/1990	Brown	D26/85
D380,572 S *	7/1997	Bodell et al.	D26/85
D459,519 S *	6/2002	Russello et al.	D26/85
D477,104 S *	7/2003	Wang	D26/72
D503,822 S	4/2005	Monroe		

OTHER PUBLICATIONS

“High Pressure Sodium 100-Watt Security Wall Mount,” advertisement on amazon.com, [retrieved on Jul. 15, 2007]. Retrieved from the internet, URL: http://www.amazon.com/Pressure-Sodium-100-Watt-Security-Mount/dp/B0007WXSFK/ref=sr_1_262/102-8444656-0252968?ie=UTF8&s=garden&qid=1184539671&sr=1-262.

* cited by examiner

Primary Examiner—Clare E Heflin

(74) *Attorney, Agent, or Firm*—Elliot B. Aronson

(57) **CLAIM**

The ornamental design for an area light, as shown and described.

DESCRIPTION

FIG. 1 is an overall perspective view of an area light showing a first embodiment of my design;

FIG. 2 is a top plan view of the area light of FIG. 1 with a portion of the area light shown in broken lines;

FIG. 3 is a bottom plan view of the area light of FIG. 1 with a portion of the area light shown in broken lines;

FIG. 4 is a front elevational view of the area light of FIG. 1;

FIG. 5 is a right side elevational view of the area light of FIG. 1 with a portion of the area light shown in broken lines, the left side being a mirror image; and

FIG. 6 is a rear elevational view of the area light of FIG. 1 with a portion of the area light shown in broken lines.

FIG. 7 is an overall perspective view of a second embodiment of an area light showing my design with a portion of the area light shown in broken lines;

FIG. 8 is a top plan view of the area light embodiment of FIG. 7 with a portion of the area light shown in broken lines;

FIG. 9 is a front elevational view of the area light embodiment of FIG. 7 with a portion of the area light shown in broken lines; and,

FIG. 10 is a right side elevational view of the area light of FIG. 7 with a portion of the area light shown in broken lines, the left side being a mirror image.

The bottom plan view and rear elevational view of the embodiment of FIG. 7 are the same as FIG. 3 and FIG. 6, respectively.

The broken lines in the Figures are shown for illustrative purposes only and do not form part of the claimed design.

1 Claim, 3 Drawing Sheets

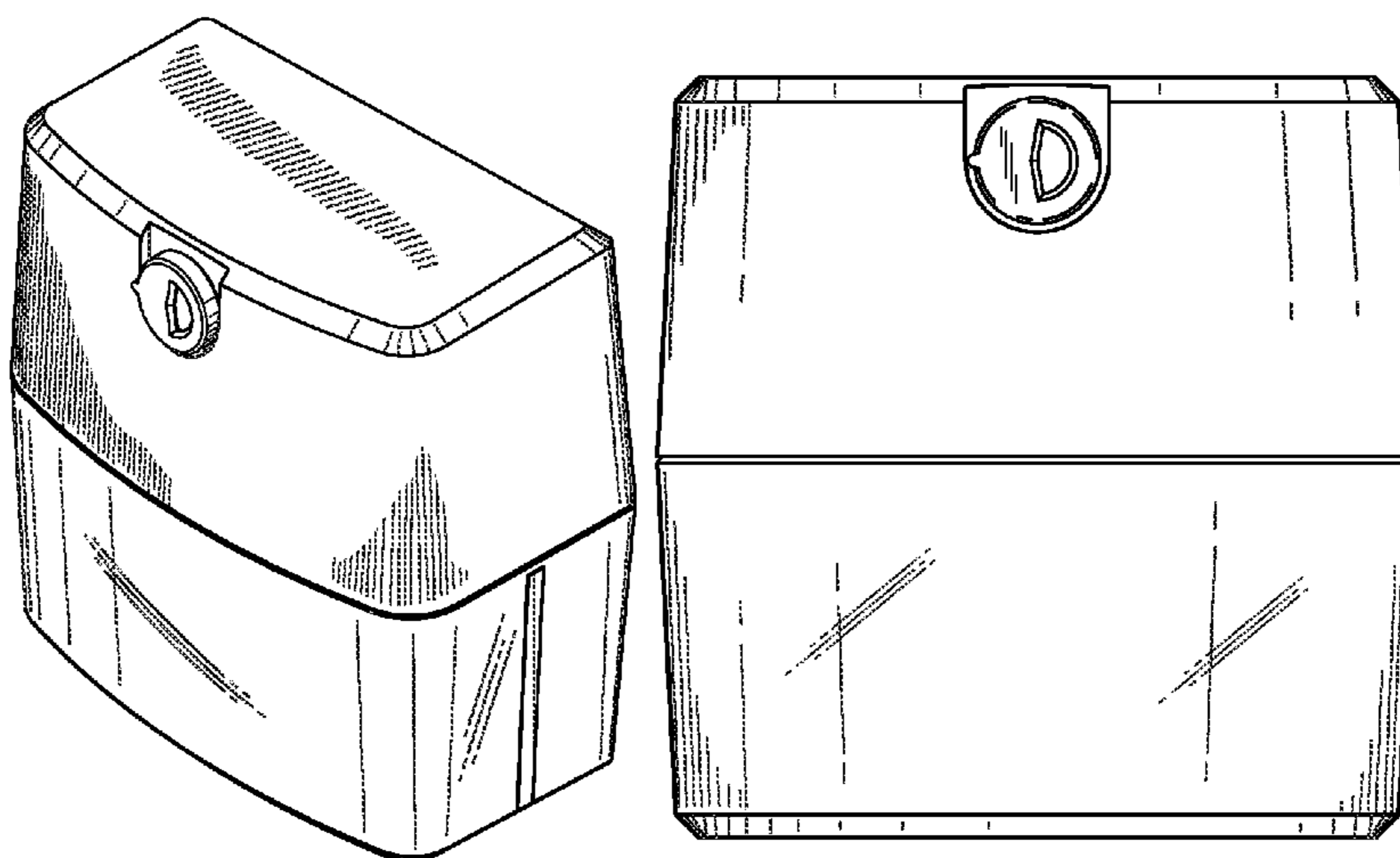


FIG. 1

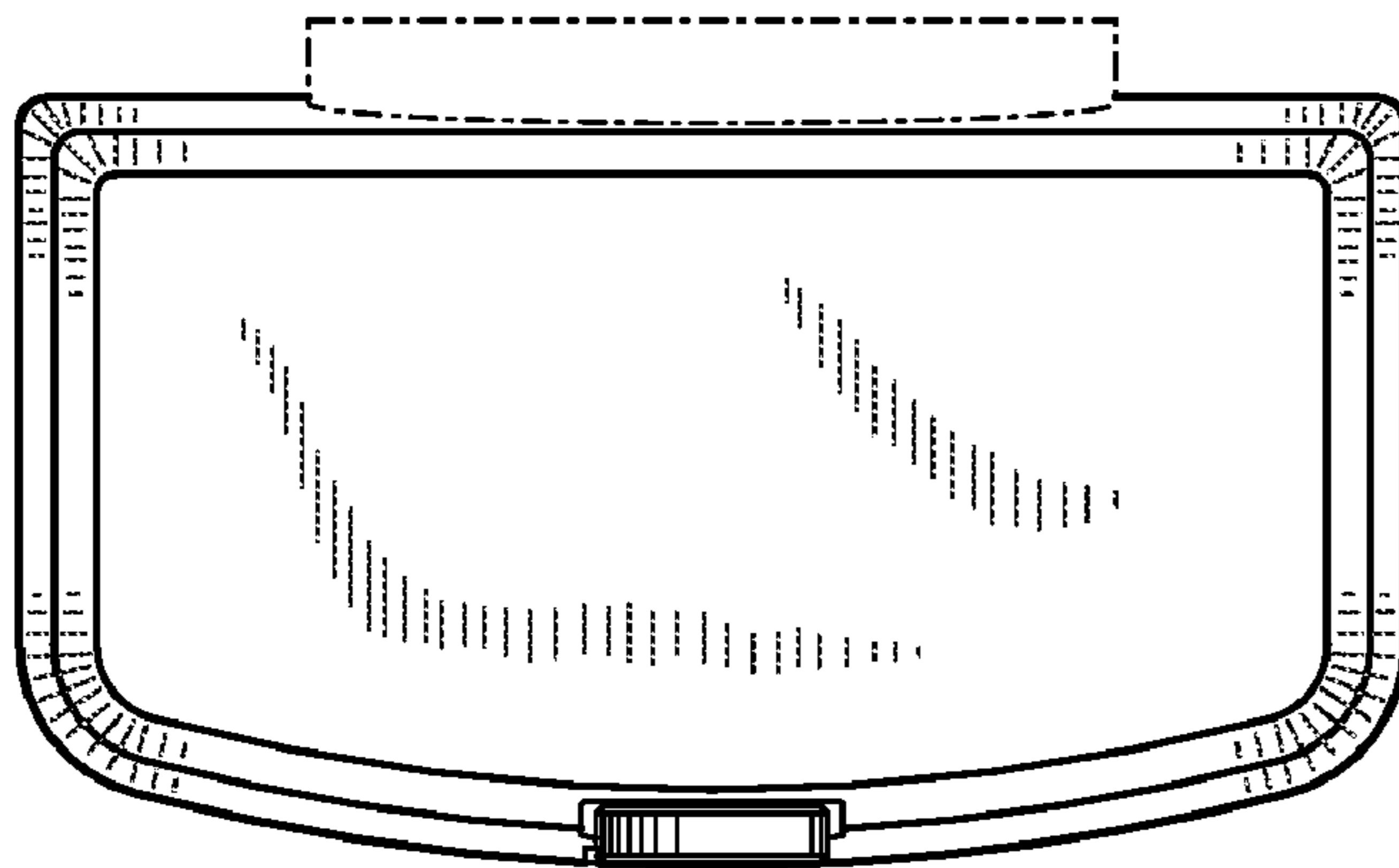
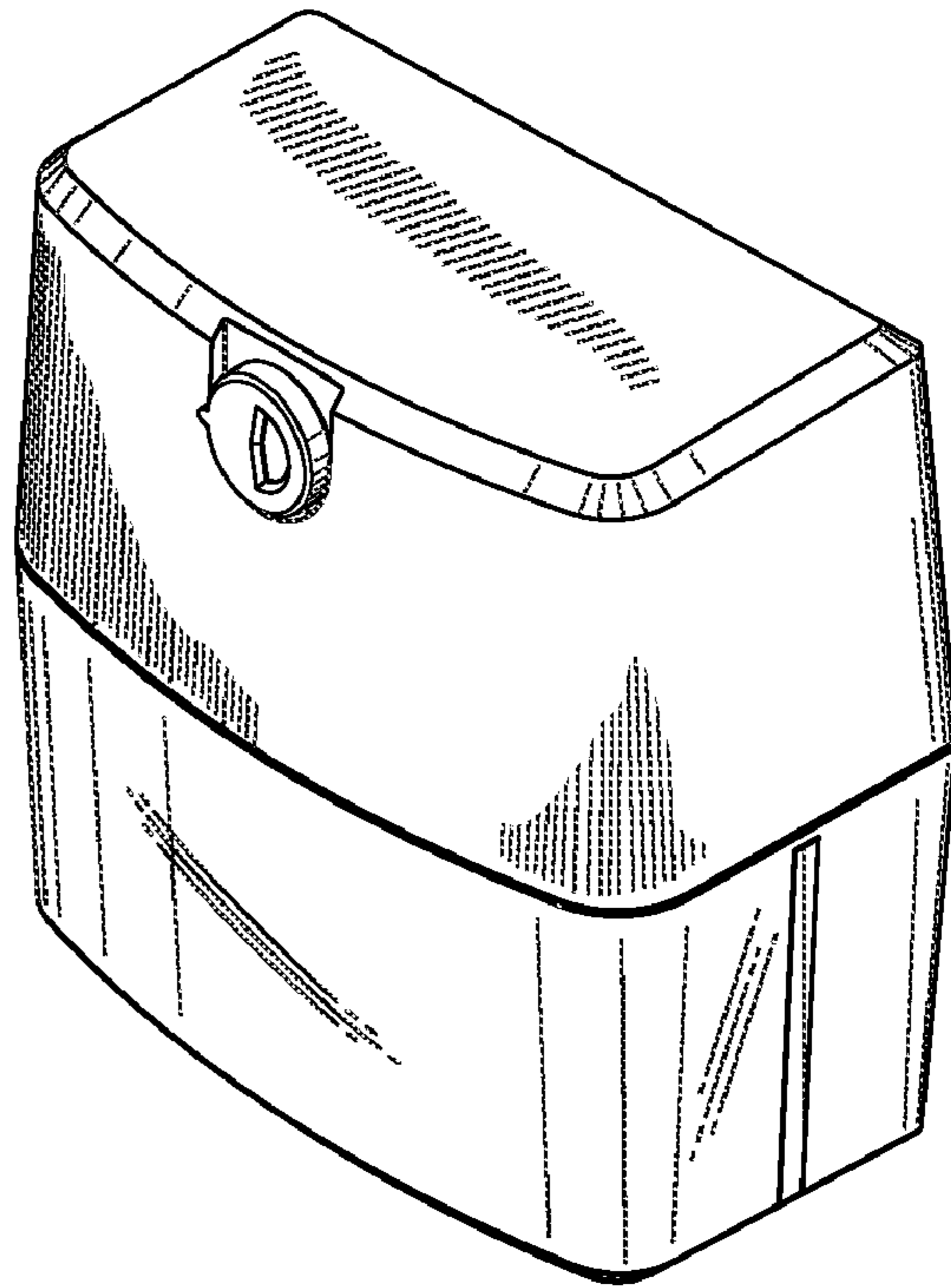


FIG. 2

FIG. 3

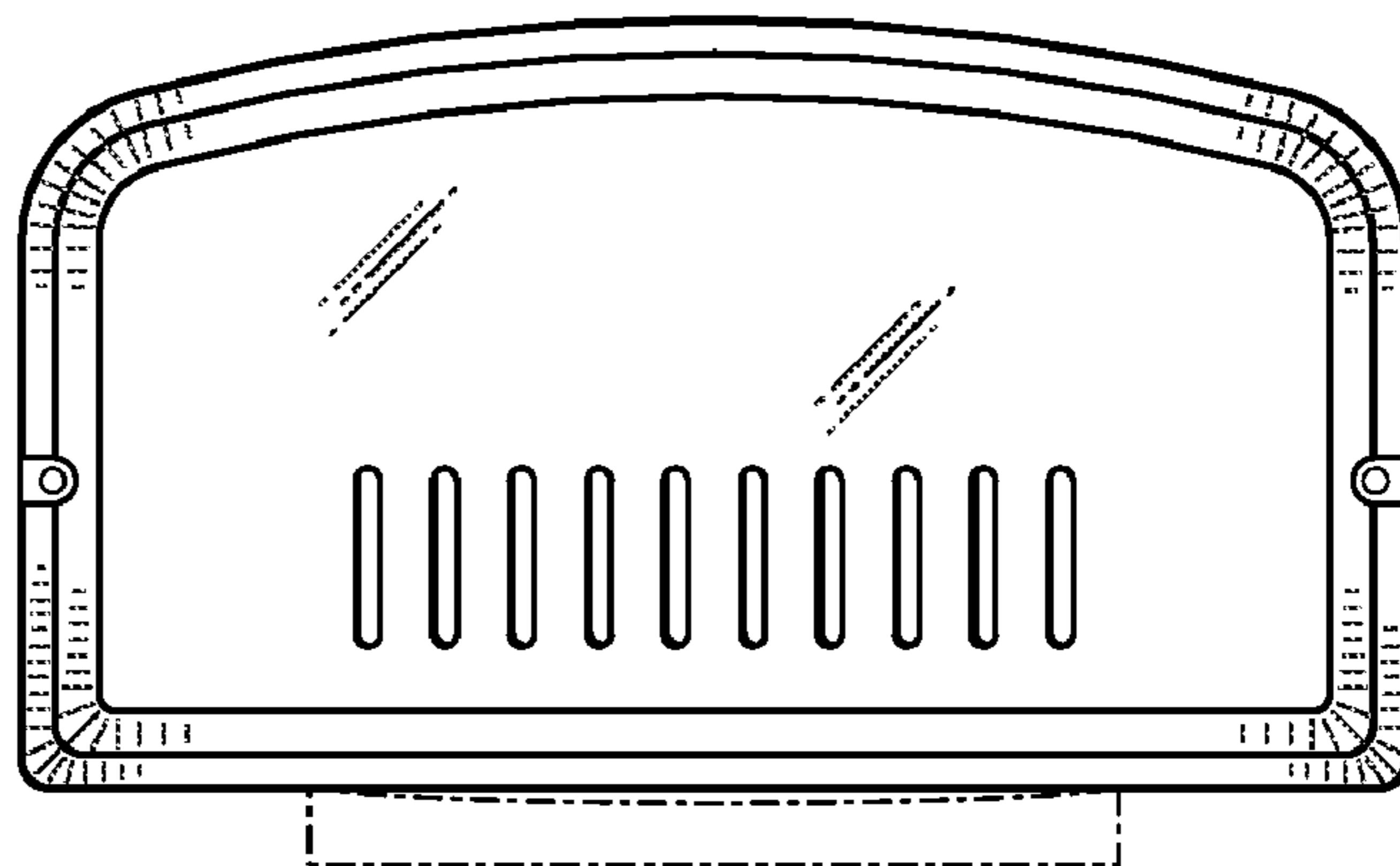


FIG. 4

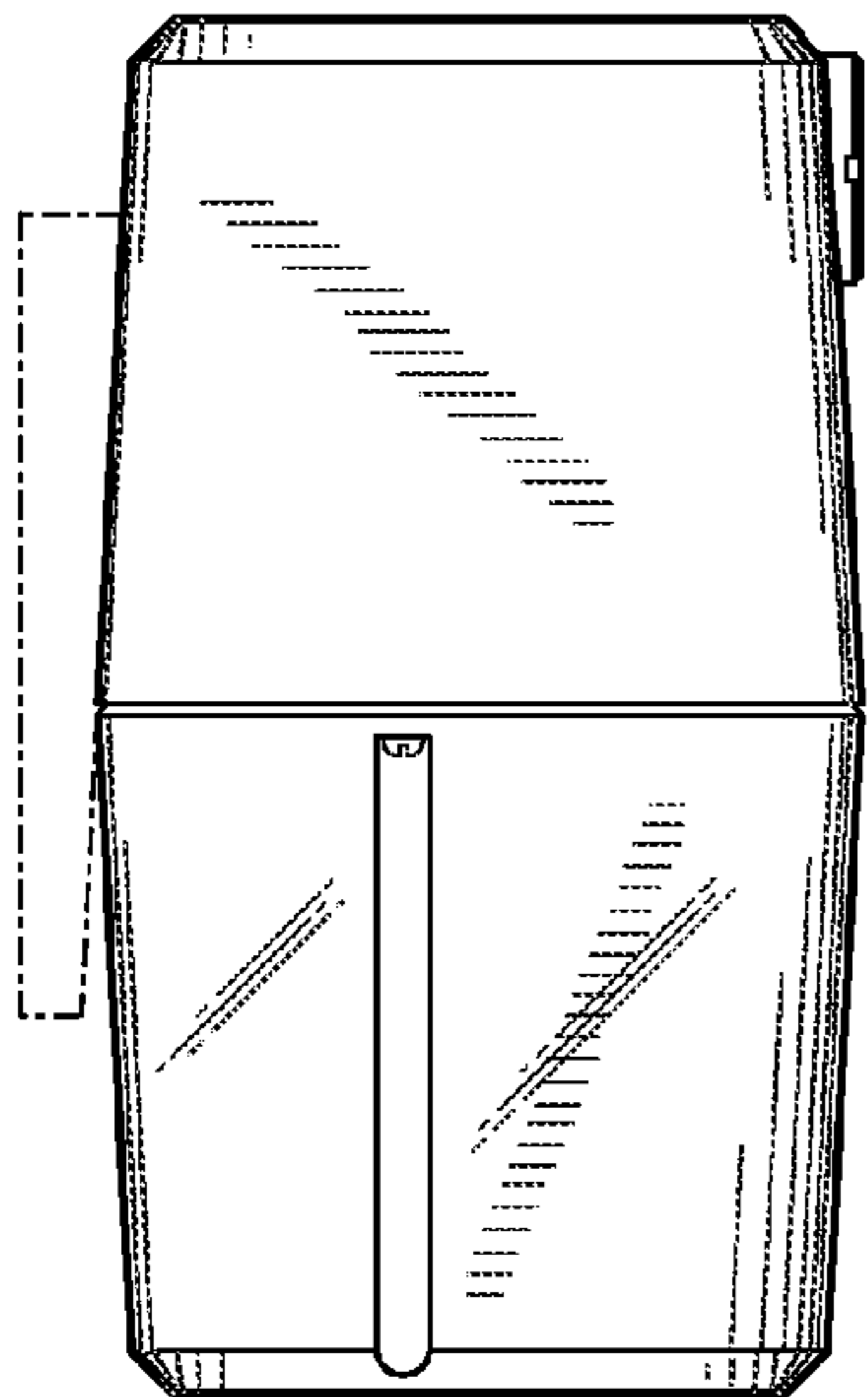
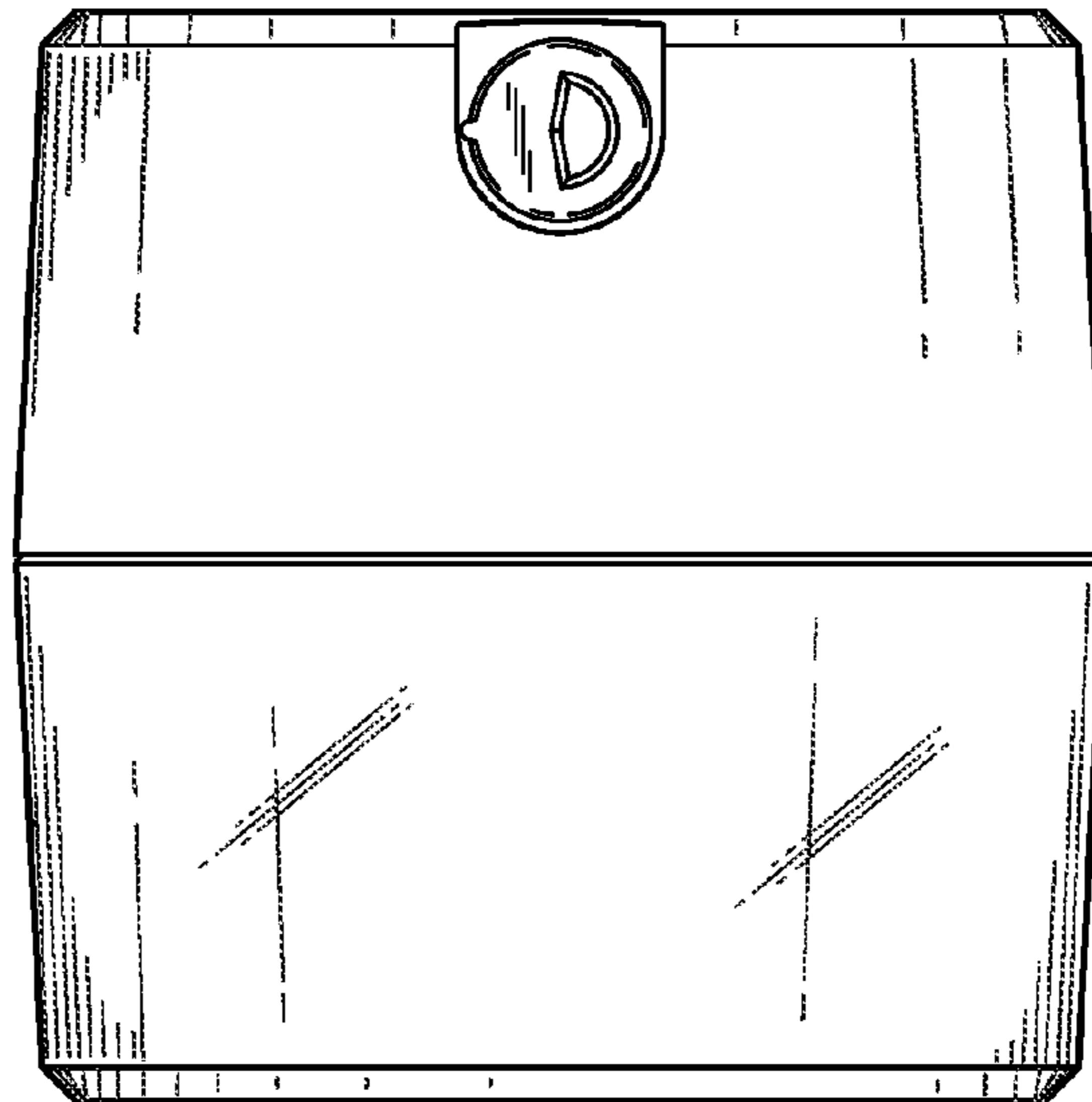


FIG. 5

FIG. 6

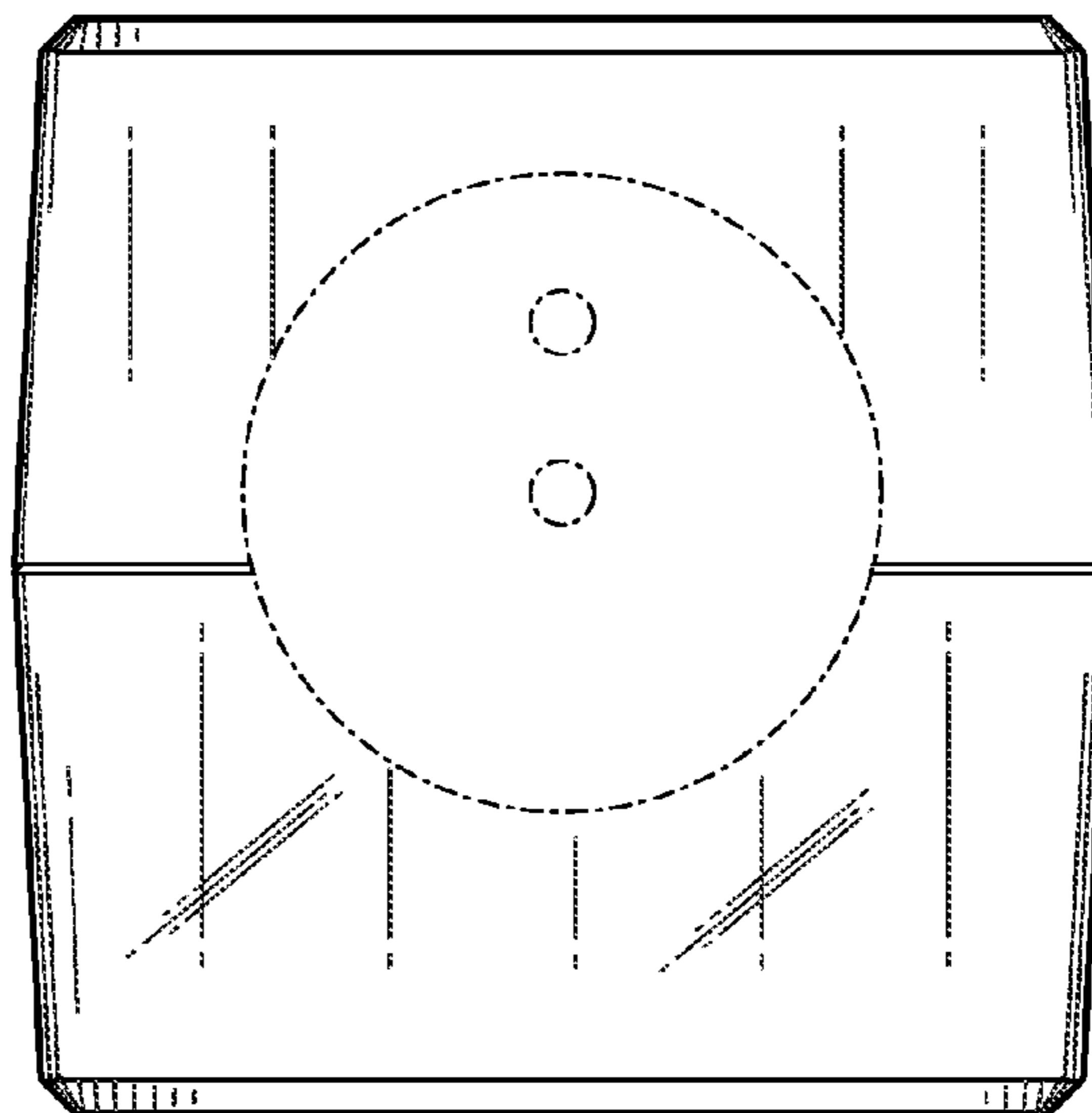


FIG. 7

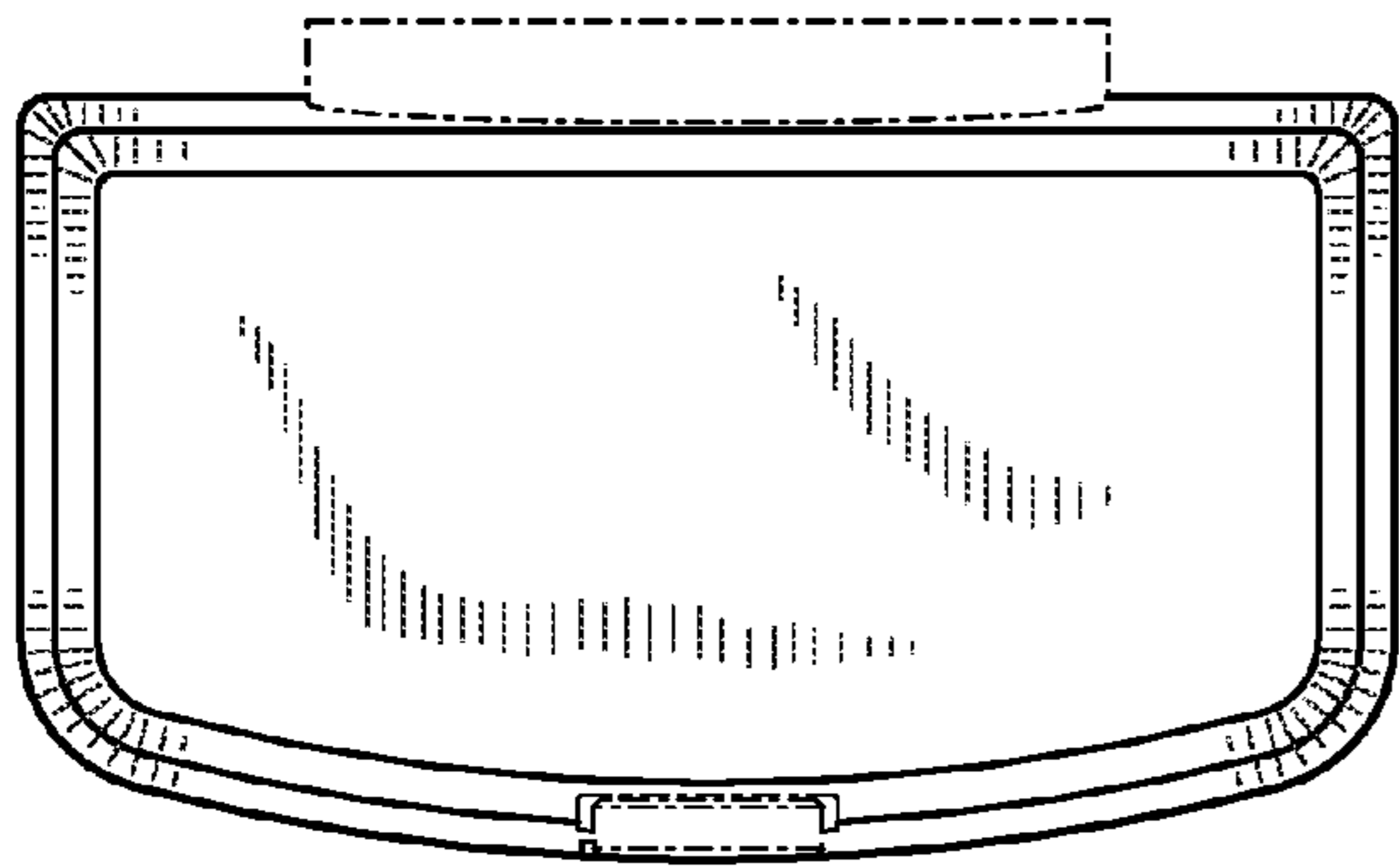
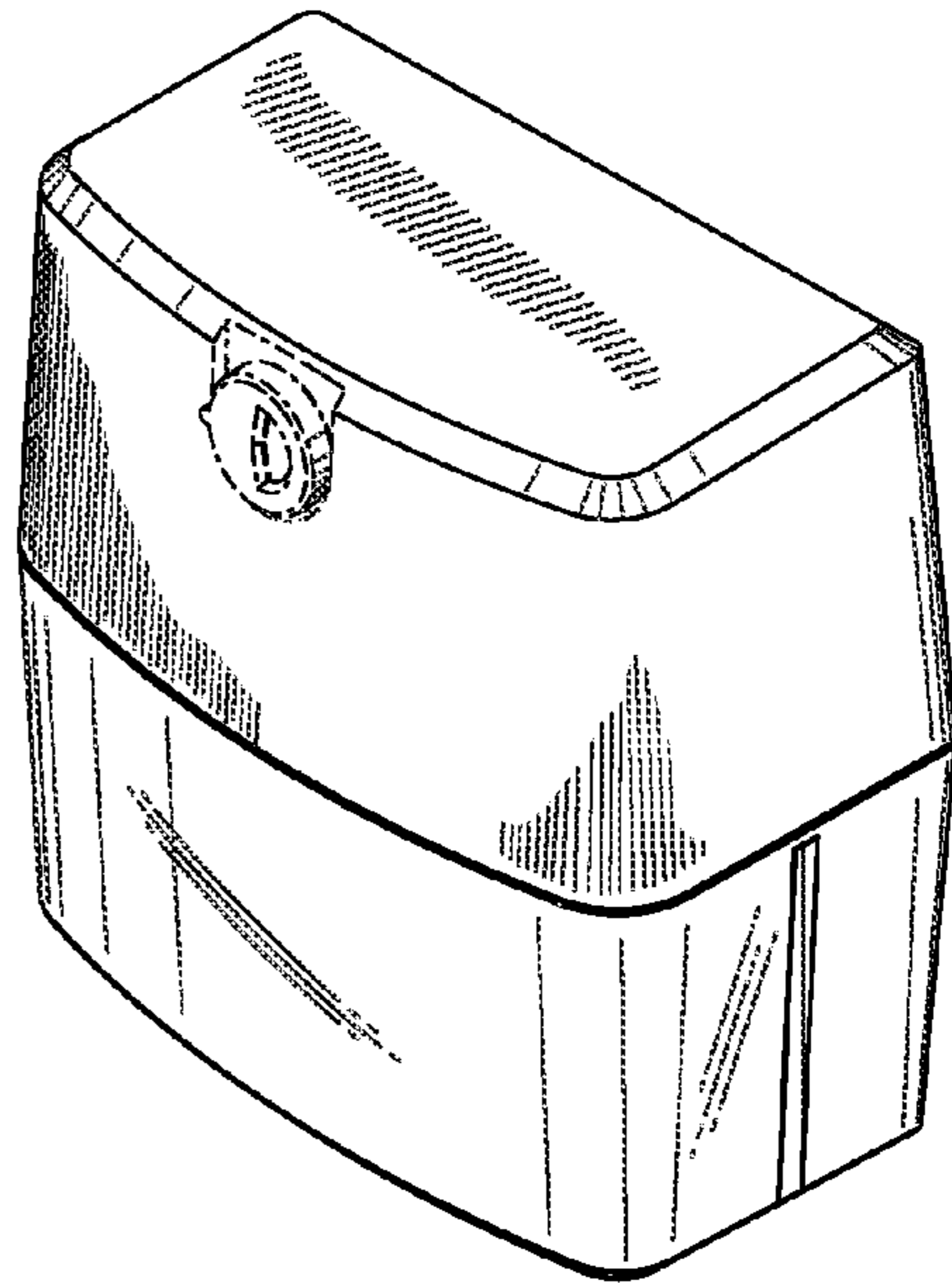


FIG. 8

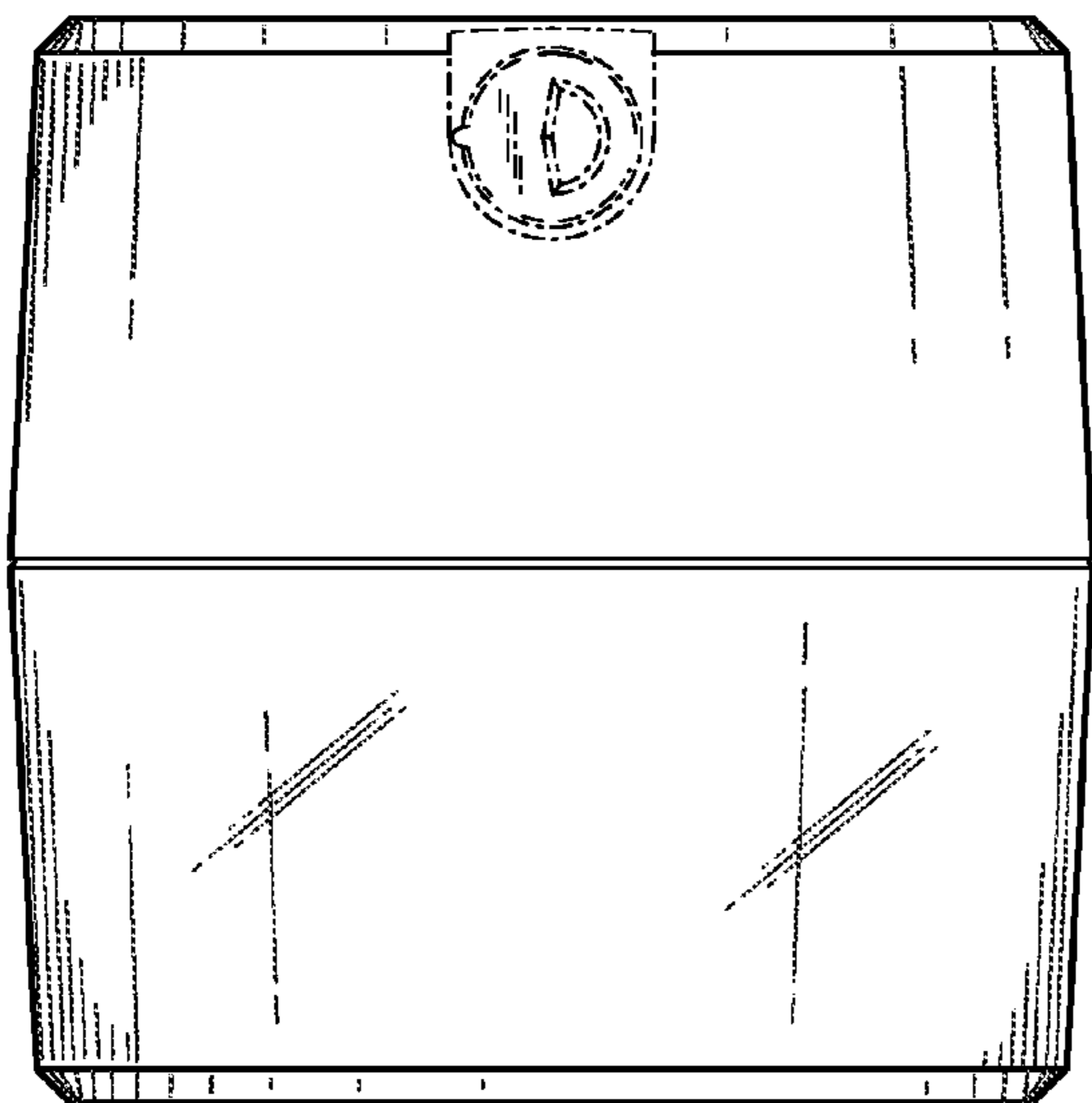


FIG. 9

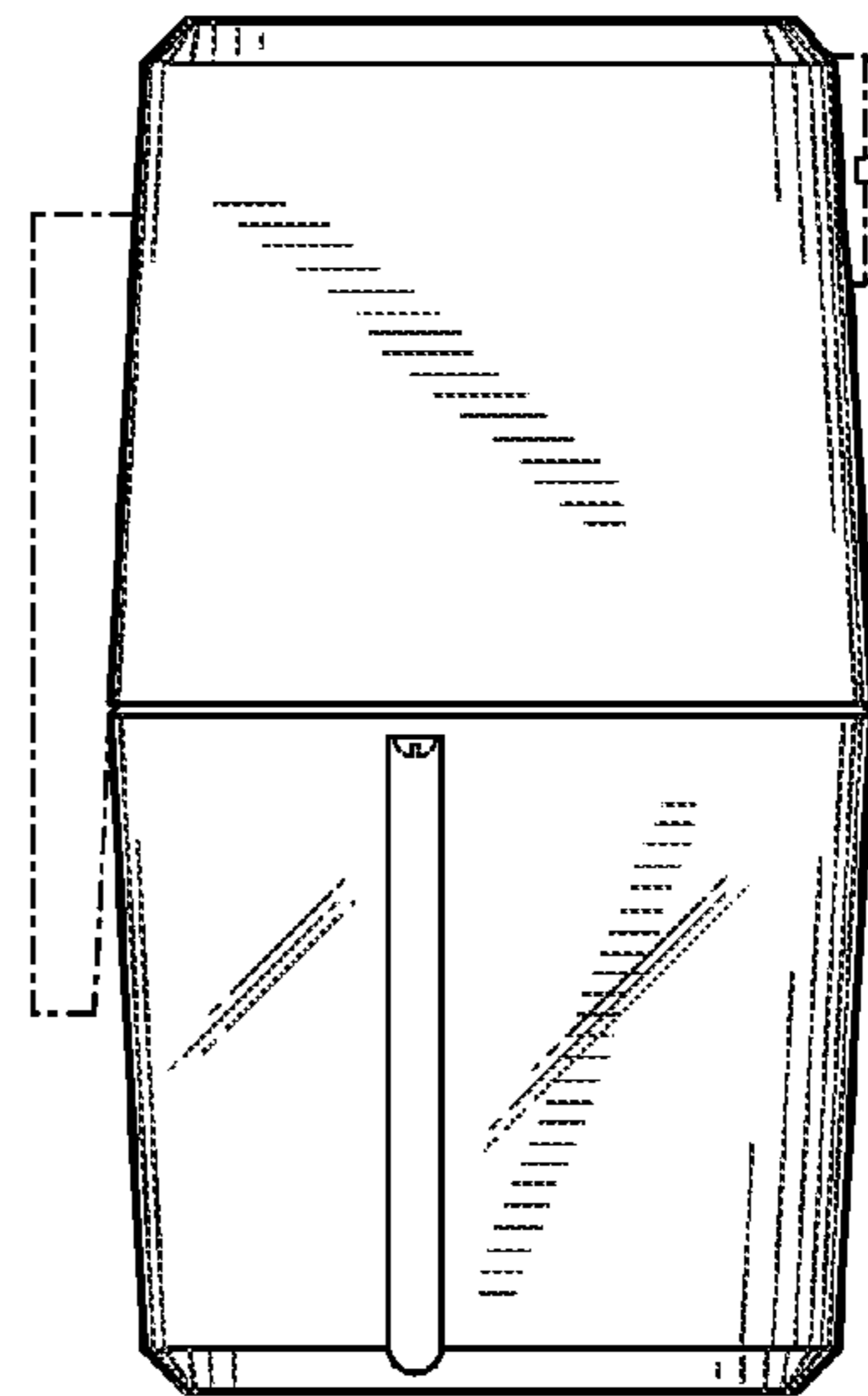


FIG. 10