

US00D569027S

(12) **United States Design Patent**
Hakamada

(10) **Patent No.:** **US D569,027 S**

(45) **Date of Patent:** **** May 13, 2008**

(54) **WALL LIGHT**

(75) Inventor: **Kengo Hakamada**, Tokyo (JP)

(73) Assignee: **Sugatsune Kogyo Co., Ltd.**, Tokyo (JP)

(**) Term: **14 Years**

(21) Appl. No.: **29/291,399**

(22) Filed: **Aug. 28, 2007**

(30) **Foreign Application Priority Data**

Feb. 28, 2007 (JP) 2007-005120

(51) **LOC (8) Cl.** **26-03**

(52) **U.S. Cl.** **D26/76**

(58) **Field of Classification Search** D26/72,
D26/74-79; 362/217-225, 132, 262-263,
362/267; 43/113

See application file for complete search history.

(56) **References Cited**

U.S. PATENT DOCUMENTS

D127,823 S *	6/1941	Biller	D26/78
2,564,273 A *	8/1951	Neuman	362/221
D205,302 S *	7/1966	Wince	D26/76
4,674,015 A *	6/1987	Smith	362/217
D291,928 S *	9/1987	Morten	D26/76

D337,845 S *	7/1993	Belic	D26/76
D348,947 S *	7/1994	Holcomb	D26/76
D493,245 S *	7/2004	Delson	D26/78
D498,867 S *	11/2004	Keller	D26/78
D520,667 S *	5/2006	Jae-Sung et al.	D26/76
D556,359 S *	11/2007	Cunius	D26/76
2002/0083639 A1 *	7/2002	Perry	43/114
2003/0021110 A1 *	1/2003	Noh	362/217

* cited by examiner

Primary Examiner—Robert M. Spear

Assistant Examiner—Susan E Krakower

(74) *Attorney, Agent, or Firm*—Osha Liang LLP

(57) **CLAIM**

The ornamental design for a wall light, as shown and described.

DESCRIPTION

FIG. 1 is a perspective view of the front, left and top of a wall light showing my new design;

FIG. 2 is a top plan view thereof;

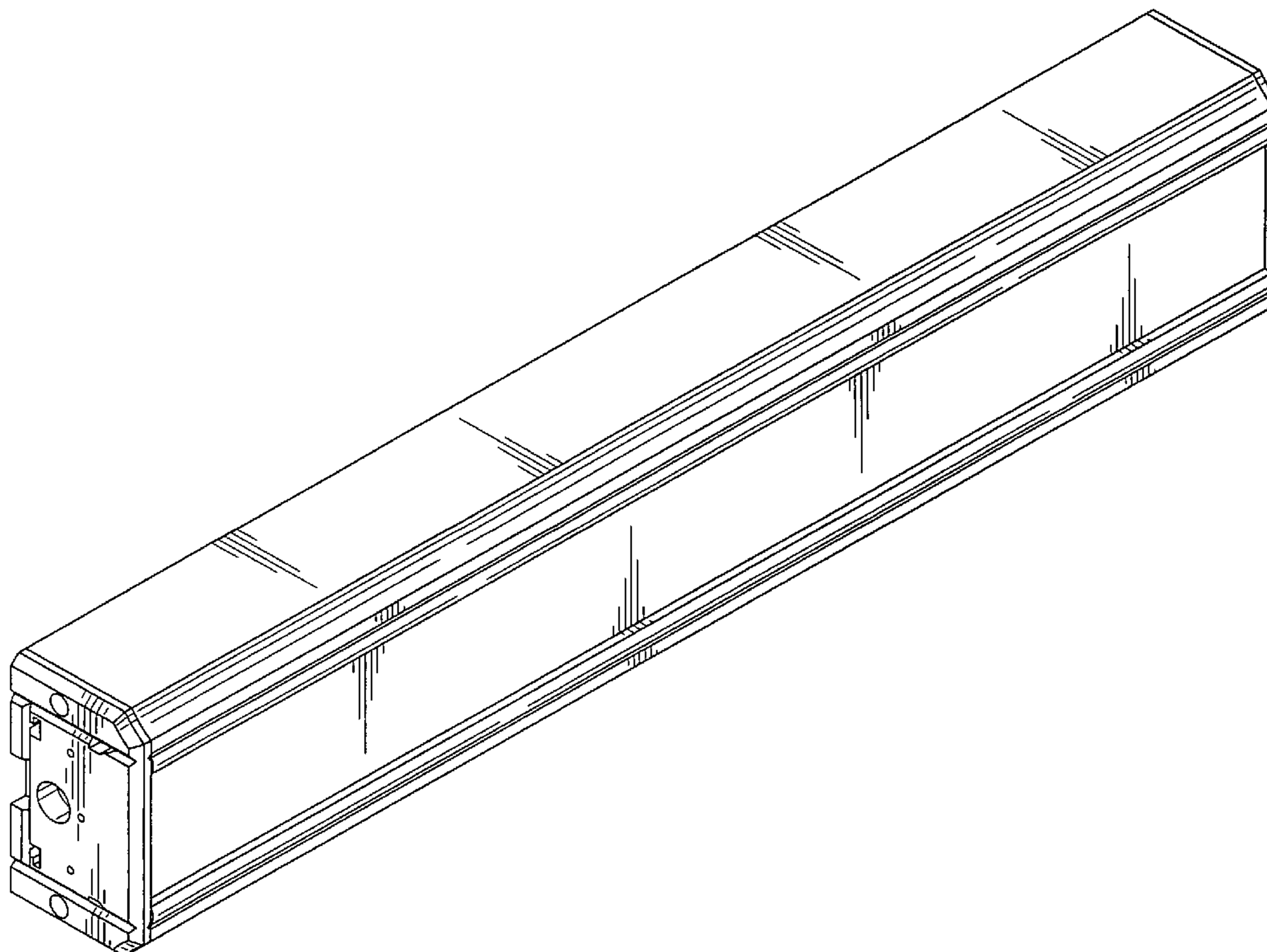
FIG. 3 is a front view thereof;

FIG. 4 is a left side view thereof;

FIG. 5 is a right side view thereof; and,

FIG. 6 is a rear view thereof.

1 Claim, 3 Drawing Sheets



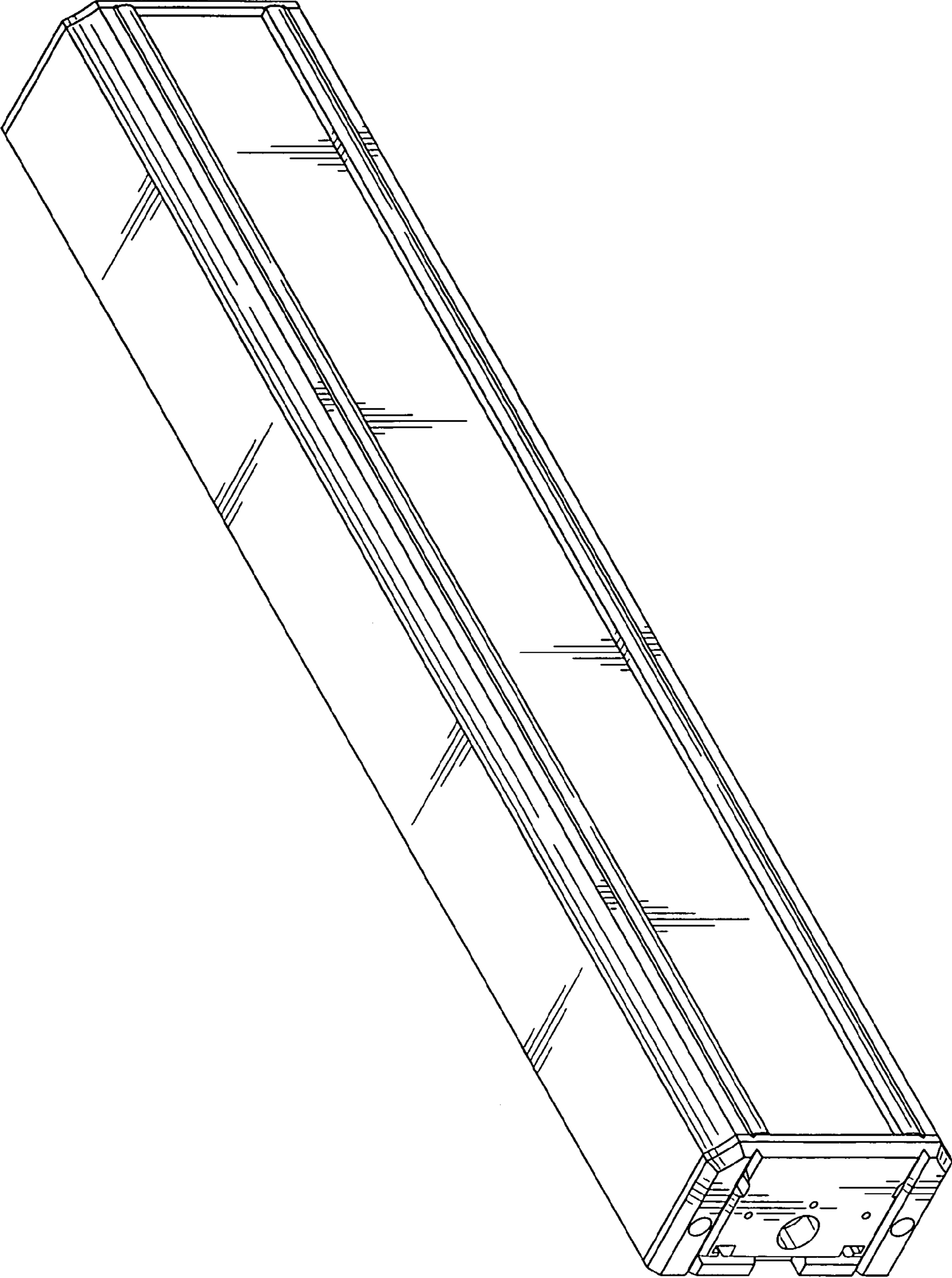


FIG. 1

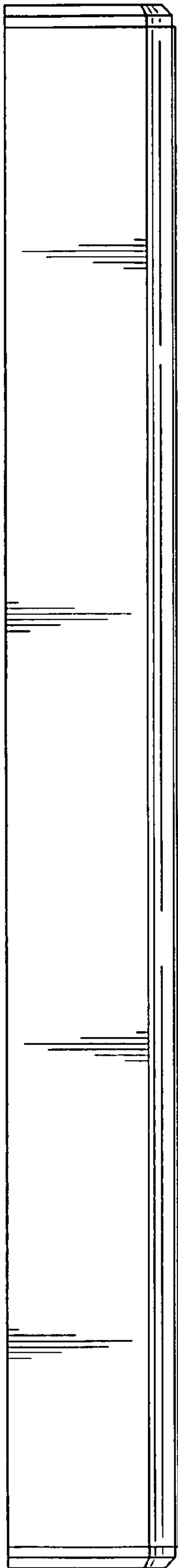


FIG. 2

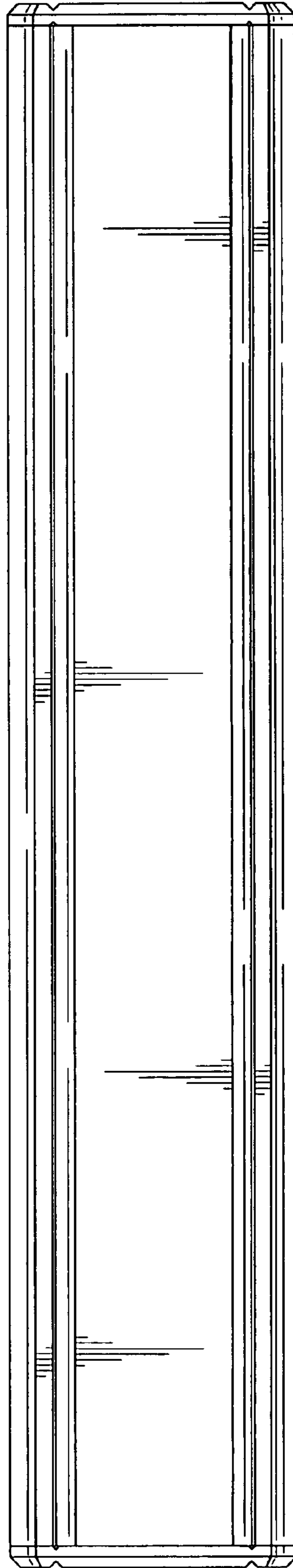


FIG. 3

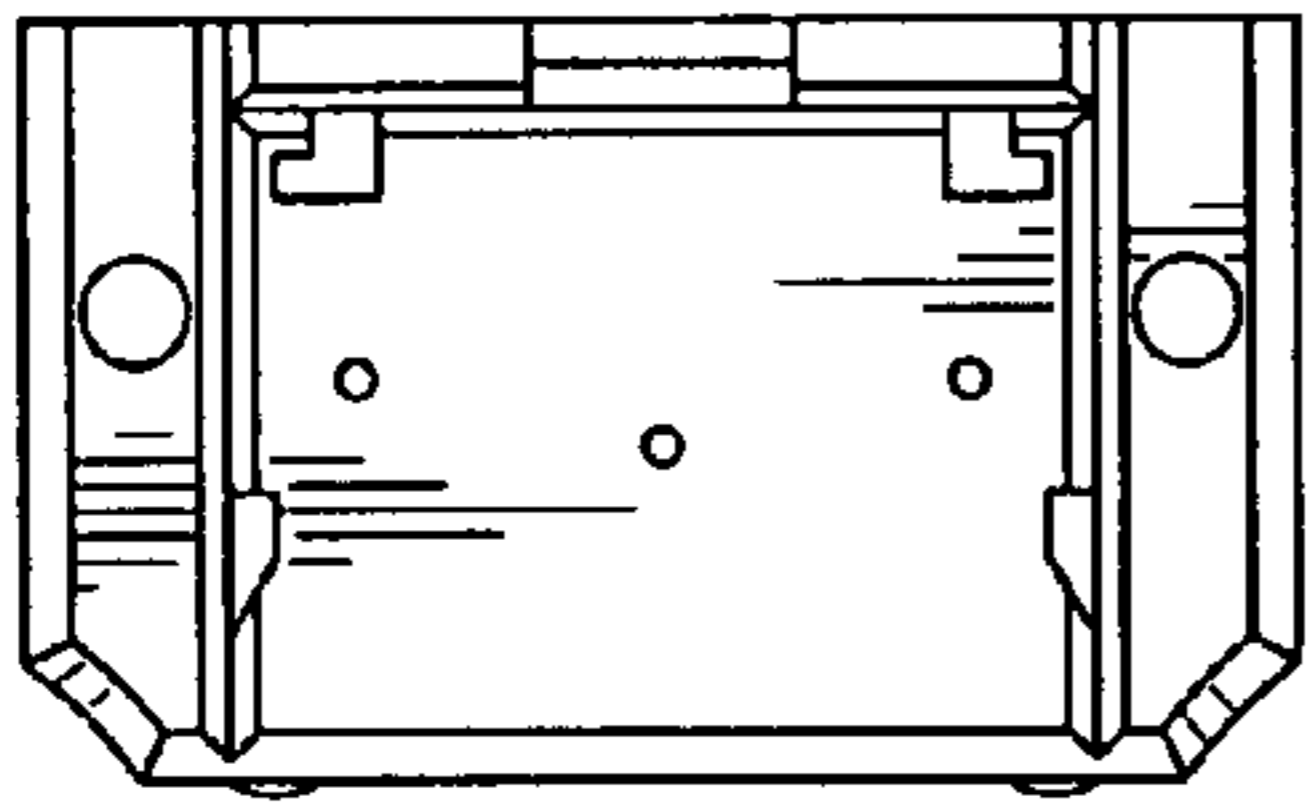


FIG. 5

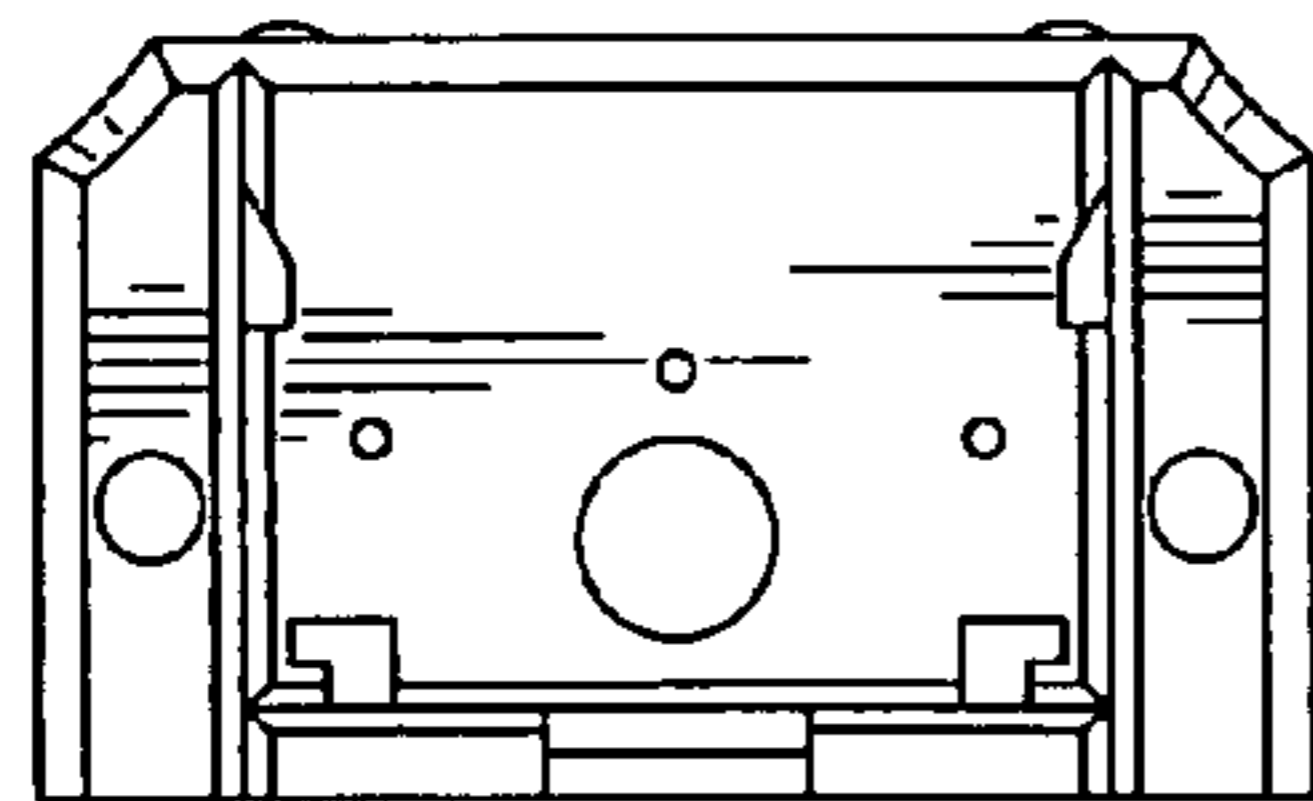


FIG. 4

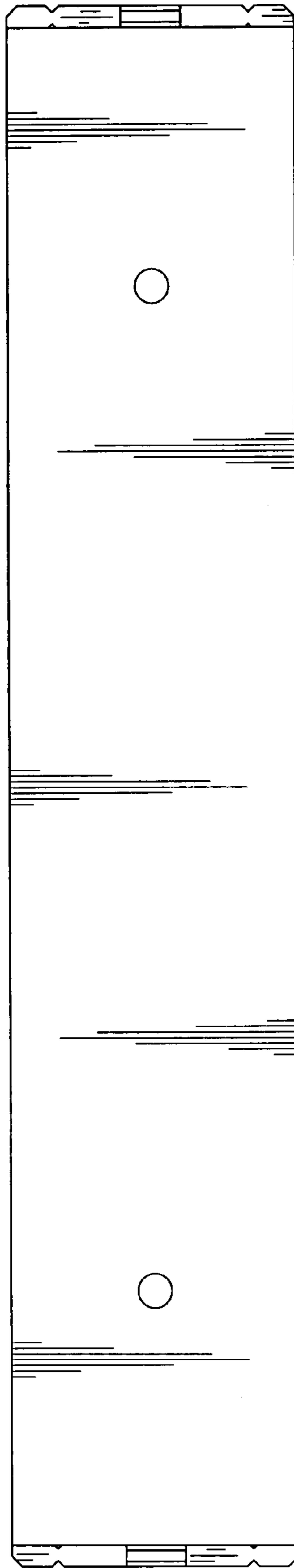


FIG. 6