



US00D569024S

(12) **United States Design Patent**
Redfern

(10) **Patent No.:** **US D569,024 S**

(45) **Date of Patent:** **** May 13, 2008**

(54) **PANEL-MOUNTED LIGHT FIXTURE**

(75) **Inventor:** **Chris Redfern, Milan (IT)**

(73) **Assignee:** **Zumtobel Staff GmbH & Co. KG,**
Lemgo (DE)

(**) **Term:** **14 Years**

(21) **Appl. No.:** **29/235,765**

(22) **Filed:** **Aug. 5, 2005**

(30) **Foreign Application Priority Data**

Feb. 7, 2005 (EM) 000291695-0001/0003

(51) **LOC (8) Cl.** **26-05**

(52) **U.S. Cl.** **D26/74**

(58) **Field of Classification Search** D26/72,
D26/74-79, 81-92, 128; 362/147, 148-150,
362/217-225, 227, 260, 269, 282, 283, 347,
362/363-368, 294-297

See application file for complete search history.

(56) **References Cited**

U.S. PATENT DOCUMENTS

2,330,935	A *	10/1943	Tuck	362/147
2,675,466	A *	4/1954	Baker	362/308
2,717,955	A *	9/1955	McGinty et al.	362/311
D255,234	S *	6/1980	Wellward et al.	D14/209
4,263,639	A *	4/1981	Schacht	362/147
4,551,791	A *	11/1985	Salansky	362/296
4,660,128	A *	4/1987	Bergin et al.	362/462
D308,423	S *	6/1990	Galipeau et al.	D26/67
4,947,297	A *	8/1990	Druffel et al.	362/147
D323,037	S *	1/1992	Edwards	D26/118
5,440,471	A *	8/1995	Zadeh	362/365
6,062,704	A *	5/2000	Holder	362/223
D437,654	S *	2/2001	Chen	D26/74
6,371,630	B1 *	4/2002	Unger	362/365

6,461,016	B1 *	10/2002	Jamison et al.	362/147
6,505,960	B2 *	1/2003	Schubert et al.	362/365
6,779,910	B1 *	8/2004	Pelton	362/364
6,883,940	B2 *	4/2005	Grajetzky et al.	362/364
7,186,008	B2 *	3/2007	Patti	362/365
2001/0040809	A1 *	11/2001	Sools et al.	362/343
2003/0012017	A1 *	1/2003	Reggiani	362/148
2005/0083694	A1 *	4/2005	Targetti	362/260
2006/0245178	A1 *	11/2006	Engel	362/147

* cited by examiner

Primary Examiner—Robert M. Spear

Assistant Examiner—Susan E Krakower

(74) *Attorney, Agent, or Firm*—Marshall, Gerstein & Borun LLP

(57) **CLAIM**

The ornamental design for a panel-mounted light fixture, as shown and described.

DESCRIPTION

FIG. 1 is a bottom-front and side perspective view of a panel-mounted light fixture showing the new design.

FIG. 2. is a top-front and side perspective view of the light fixture.

FIG. 3 is a top-rear and side perspective view of the light fixture.

FIG. 4 is a top plan view of the light fixture.

FIG. 5 is a bottom plan view of the light fixture.

FIG. 6 is a side elevational view of the light fixture.

FIG. 7 is an opposite side elevational view of the light fixture.

FIG. 8 is a front elevational view of the light fixture; and,

FIG. 9 is a back elevational view of the light fixture.

1 Claim, 6 Drawing Sheets

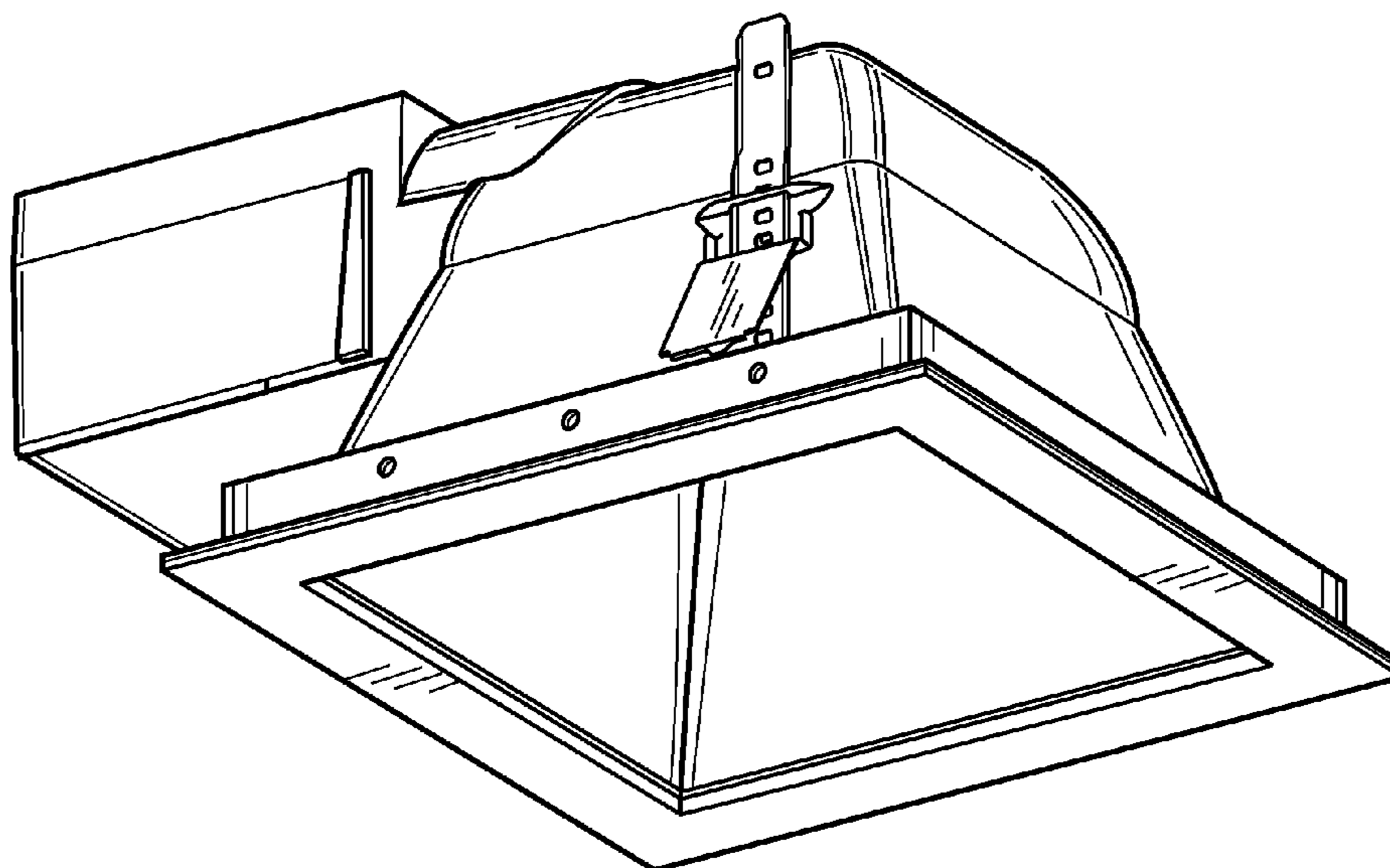


FIG. 1

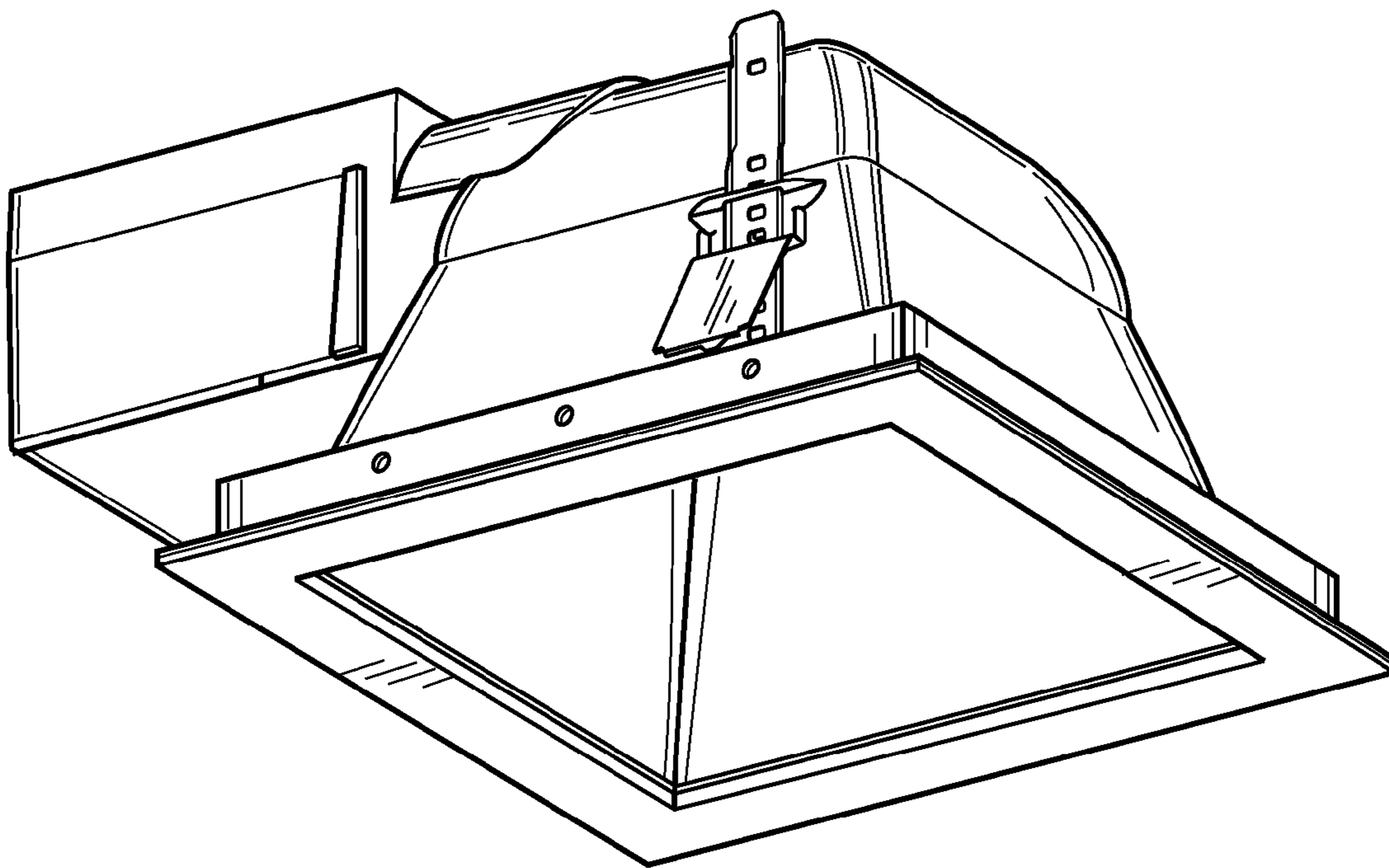


FIG. 2

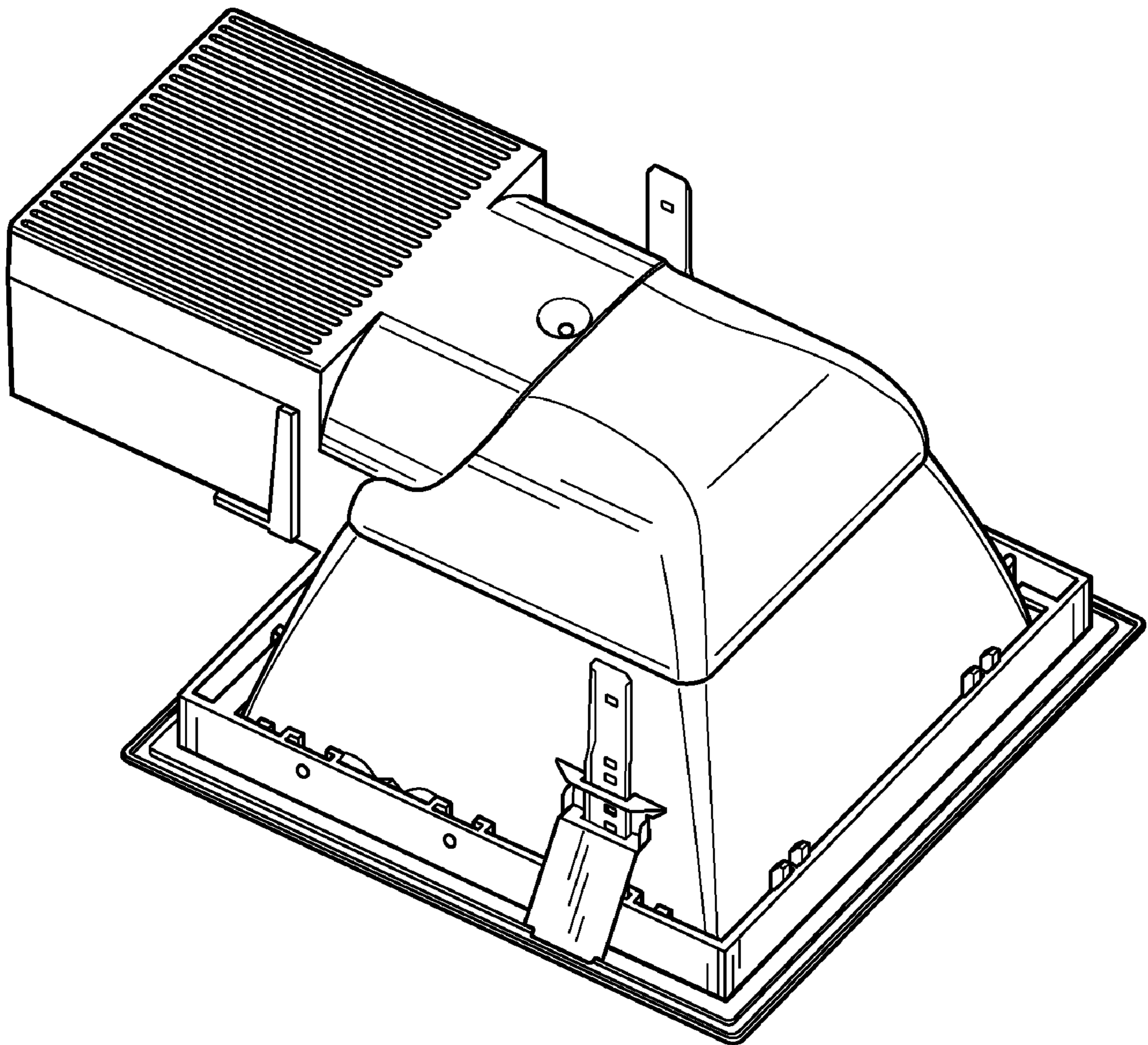


FIG. 3

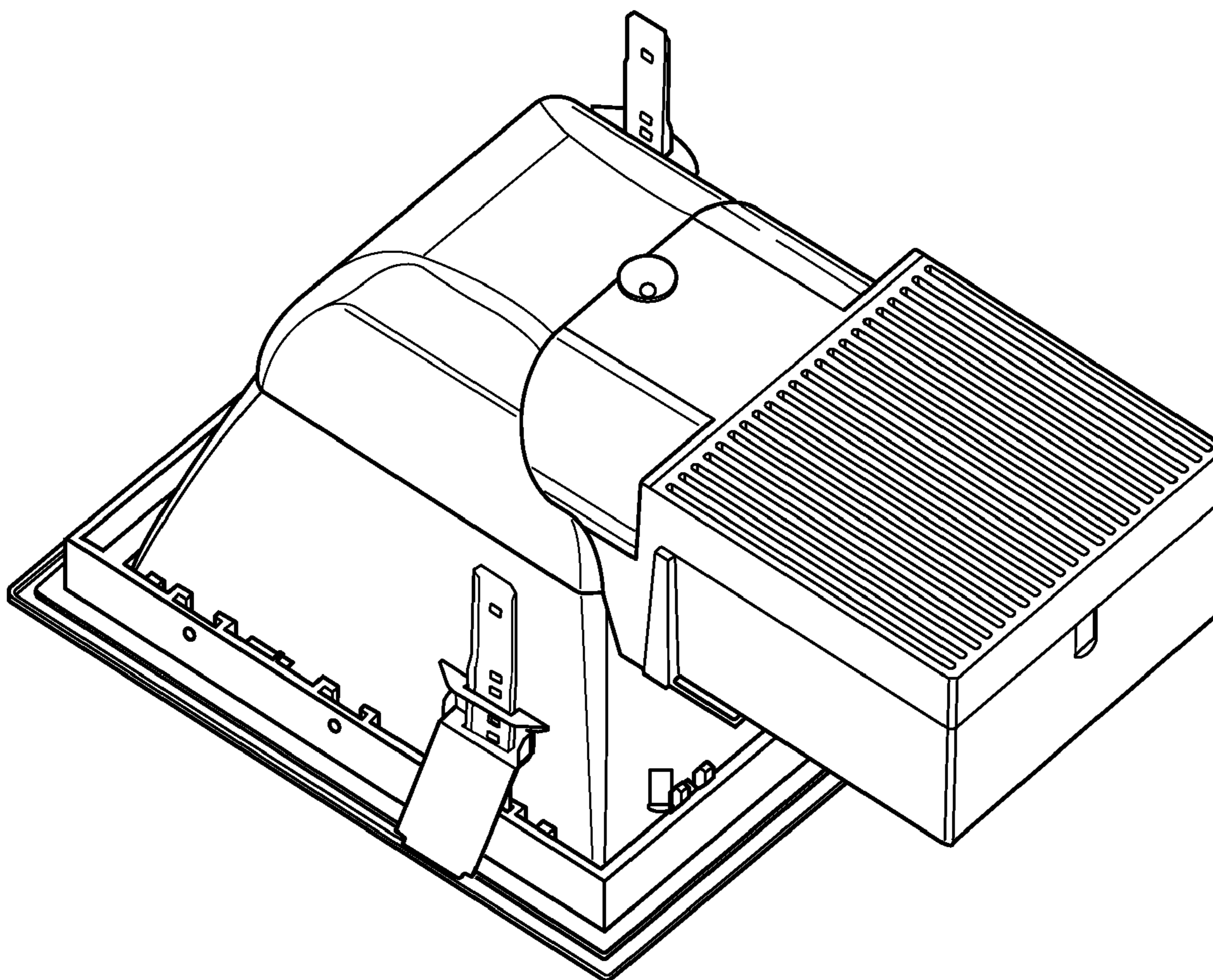


FIG. 4

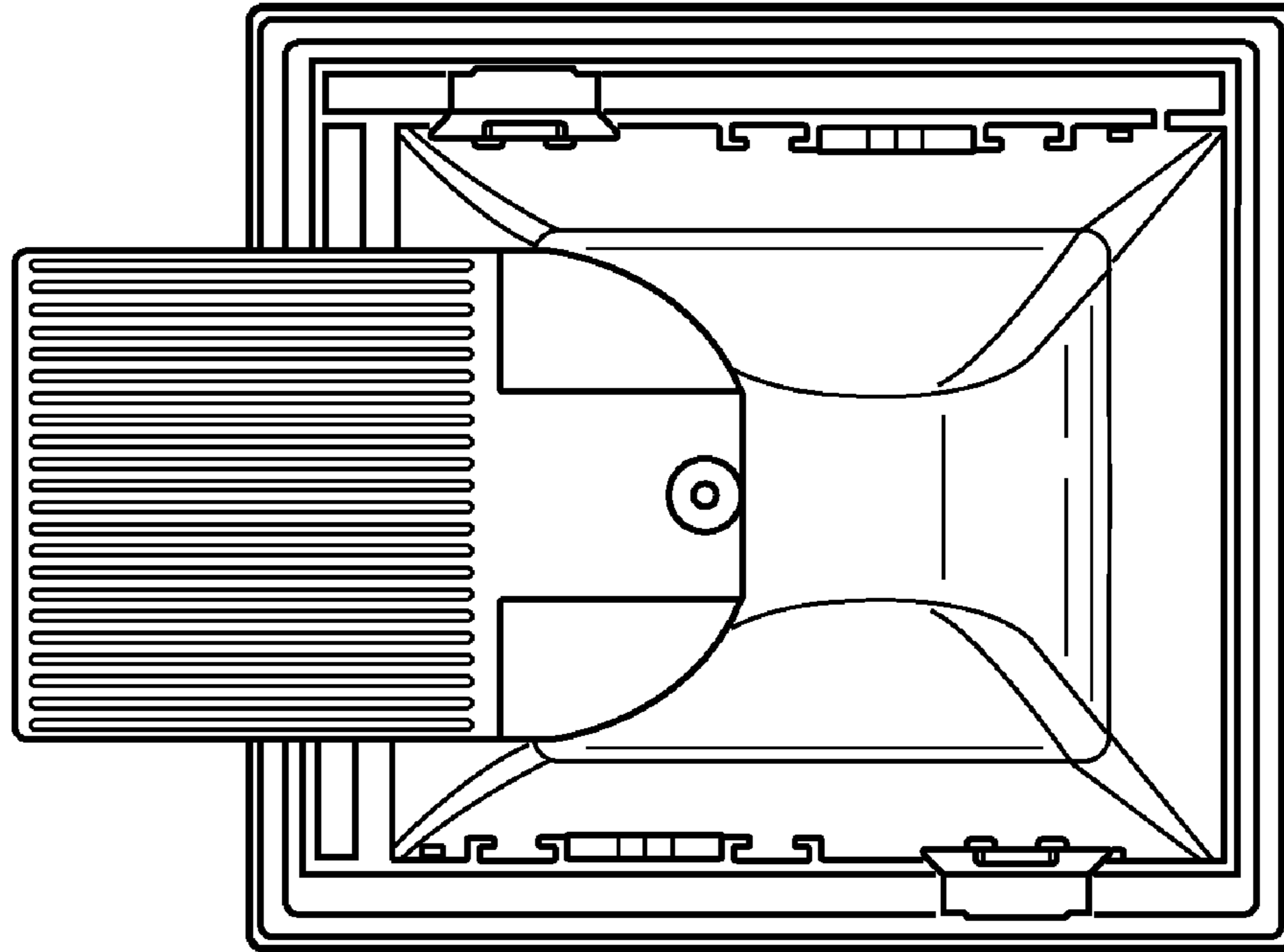


FIG. 5

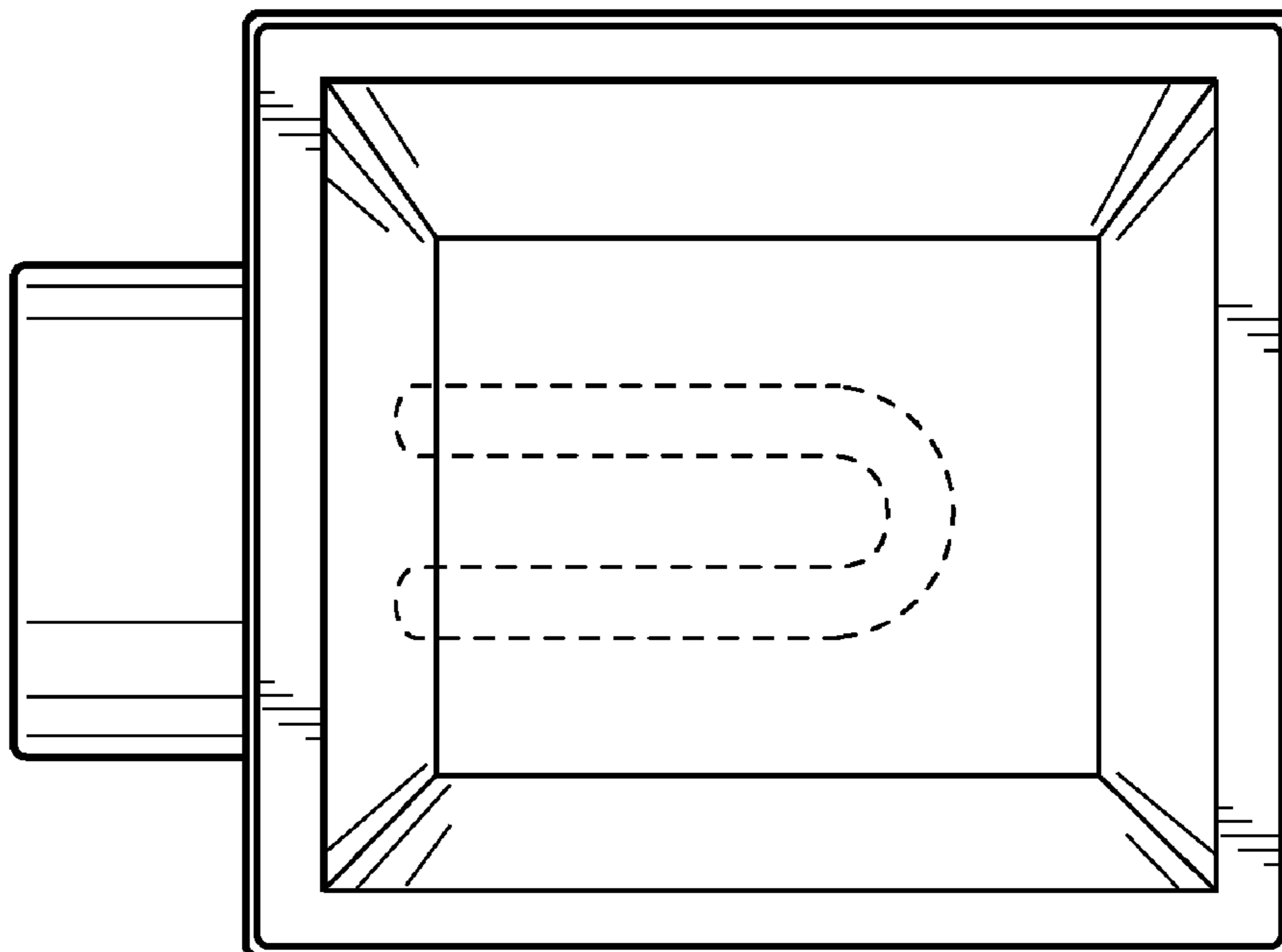


FIG. 6

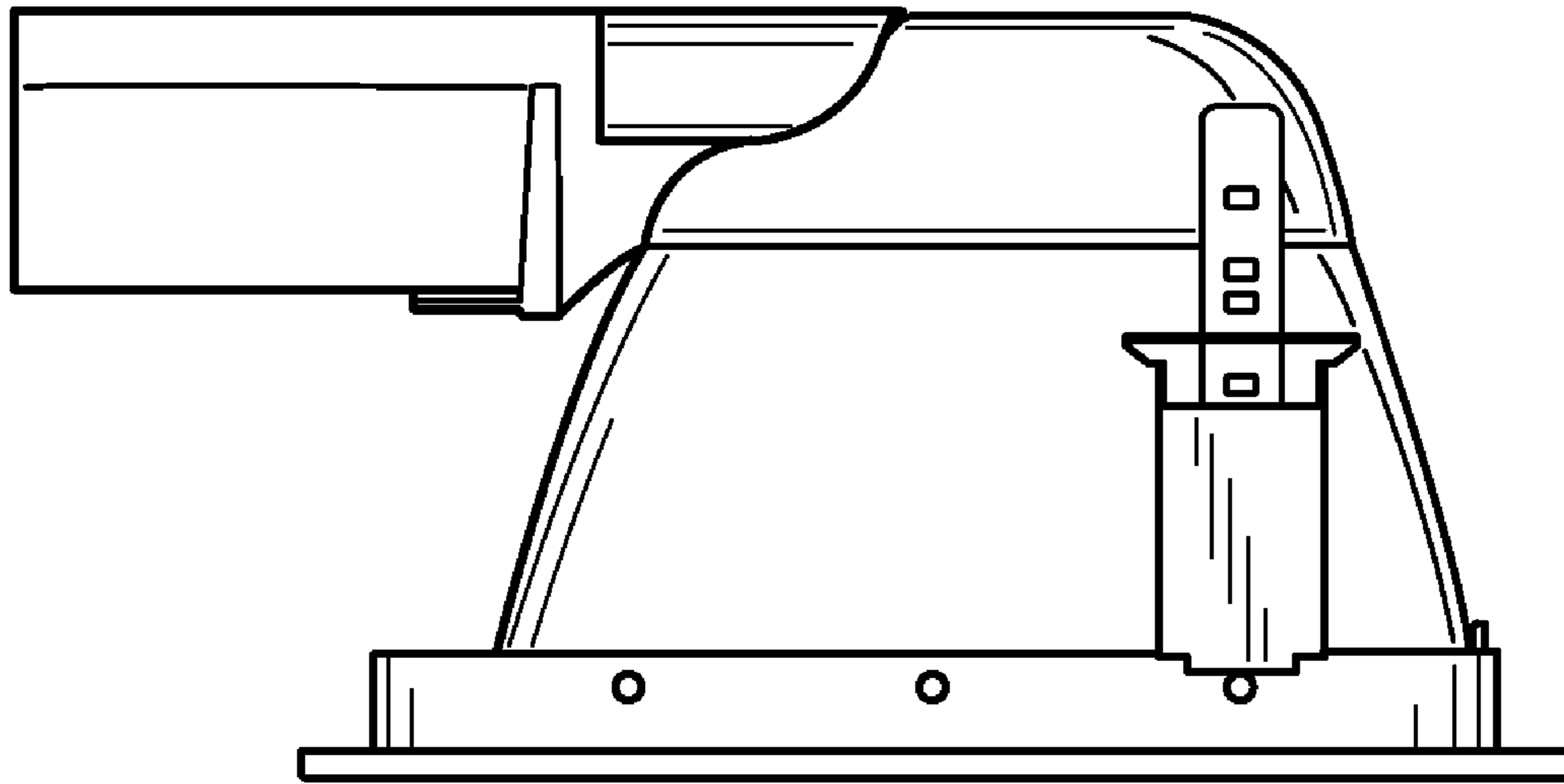


FIG. 7

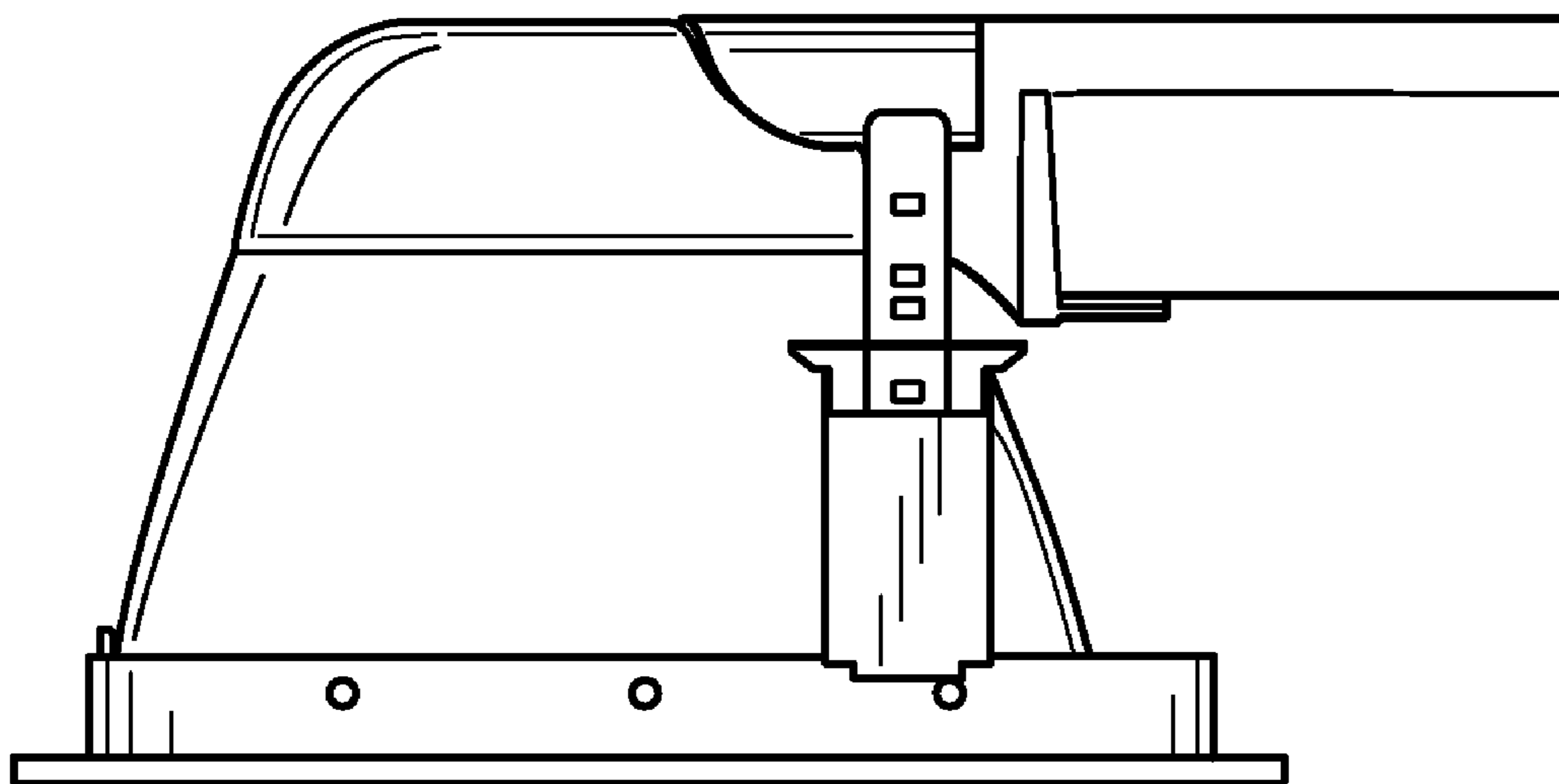


FIG. 8

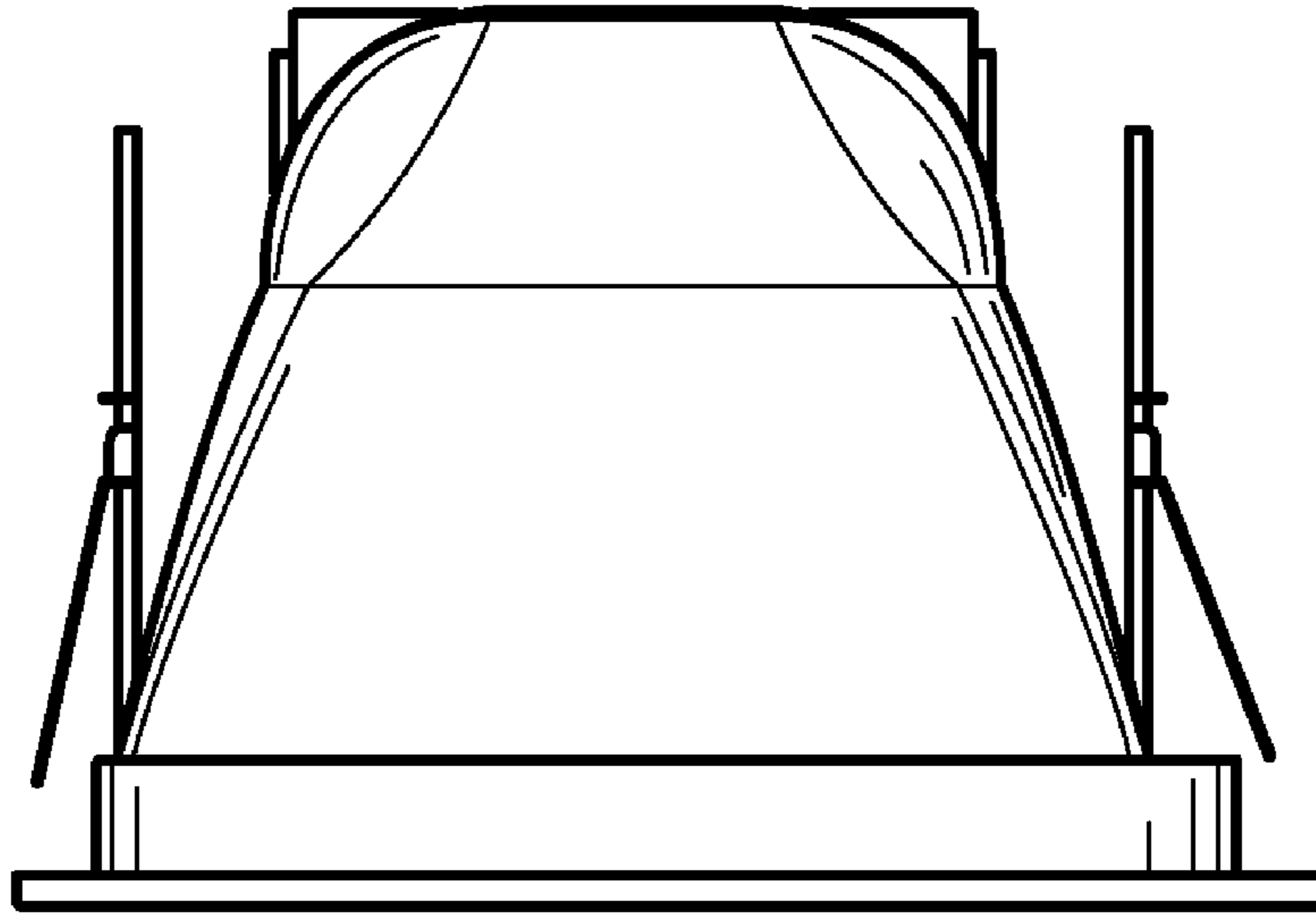


FIG. 9

