



US00D569023S

(12) **United States Design Patent**
Lee

(10) **Patent No.:** **US D569,023 S**

(45) **Date of Patent:** **** May 13, 2008**

(54) **LAMP FOR BIKES**

(76) Inventor: **Wen-Sung Lee**, 8F-2, No. 60-2, 1st
Road, Taichung Industrial Park,
Taichung 407 (TW)

(**) Term: **14 Years**

(21) Appl. No.: **29/280,767**

(22) Filed: **Jun. 6, 2007**

(51) **LOC (8) Cl.** **26-05**

(52) **U.S. Cl.** **D26/60**

(58) **Field of Classification Search** D26/28-50,
D26/24, 44, 60-63; D10/111; 362/61, 72,
362/80, 82, 83, 81 R, 84, 87, 134, 157, 158,
362/171-174, 183-208, 459, 473-476, 523,
362/540, 549

See application file for complete search history.

(56) **References Cited**

U.S. PATENT DOCUMENTS

D131,352 S *	2/1942	McPherson	D26/39
D376,218 S *	12/1996	Urquhart	D26/46
D425,228 S *	5/2000	Kibler	D26/46
D453,580 S *	2/2002	Lynch et al.	D26/46
D494,301 S *	8/2004	Lee	D26/60
D509,611 S *	9/2005	Chou	D26/37
D511,586 S *	11/2005	Yeh	D26/37
D519,234 S *	4/2006	Lee	D26/37
D520,160 S *	5/2006	Lee	D26/37
D523,573 S *	6/2006	Lee	D26/28

D541,451 S *	4/2007	Leung	D26/38
D544,616 S *	6/2007	Chen	D26/37
2002/0085372 A1 *	7/2002	Lehrer	362/105

* cited by examiner

Primary Examiner—Cathron Brooks
Assistant Examiner—Barbara Fox
(74) *Attorney, Agent, or Firm*—Banger Shia

(57) **CLAIM**

I claim the ornamental design for a lamp for bikes, as shown and described.

DESCRIPTION

FIG. 1 is a perspective view of a lamp for bikes, showing my new design;

FIG. 2 is a front elevational view thereof;

FIG. 3 is a rear elevational view thereof;

FIG. 4 is a left side elevational view thereof;

FIG. 5 is a right side elevational view thereof;

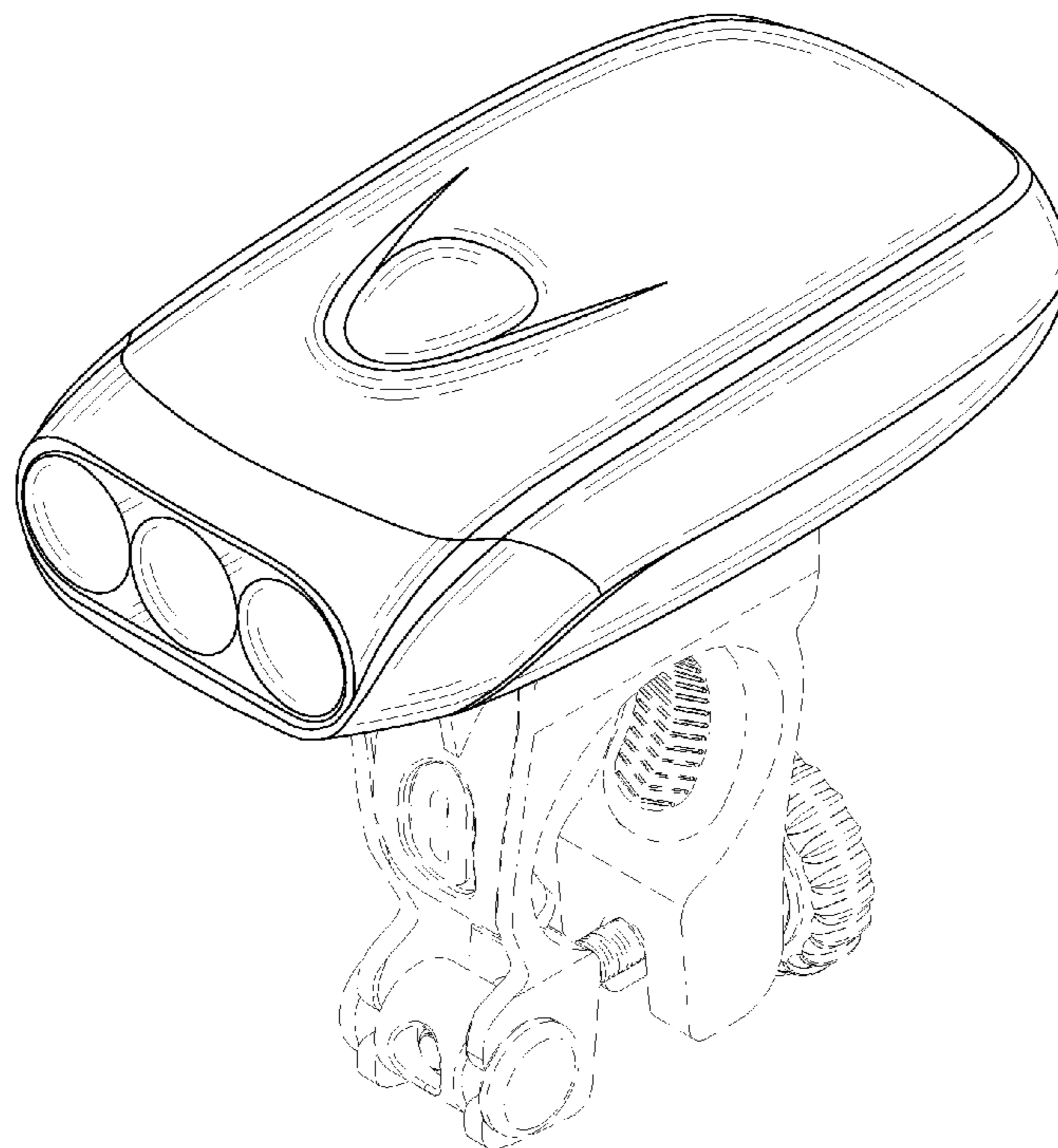
FIG. 6 is a top plan view thereof; and,

FIG. 7 is a bottom plan view thereof.

FIG. 8 is a perspective view showing the claimed design attached to a clip.

The broken line showing of the clip is included for the purpose of illustrating environmental subject matter and forms no part of the claim.

1 Claim, 8 Drawing Sheets



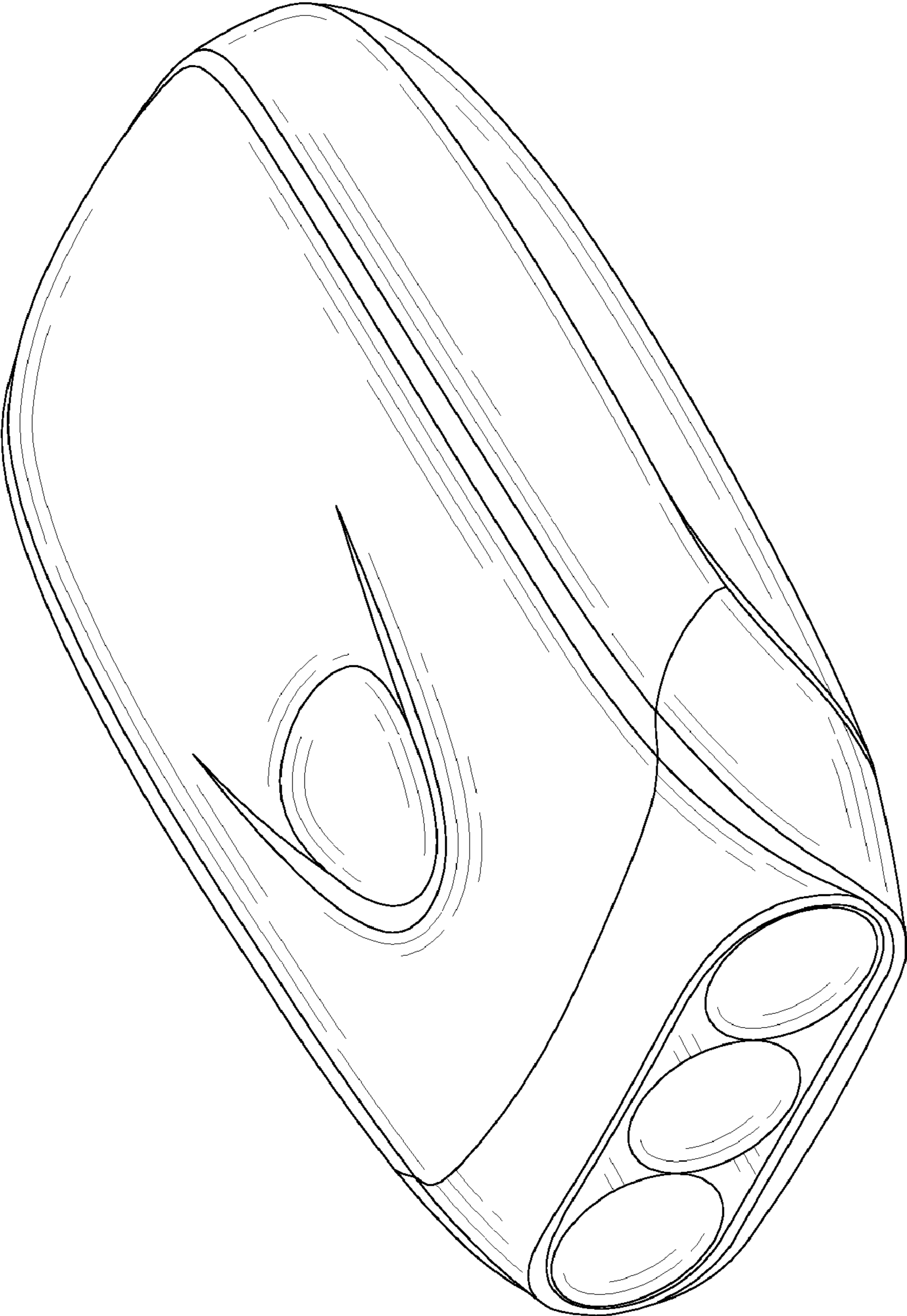


FIG. 1

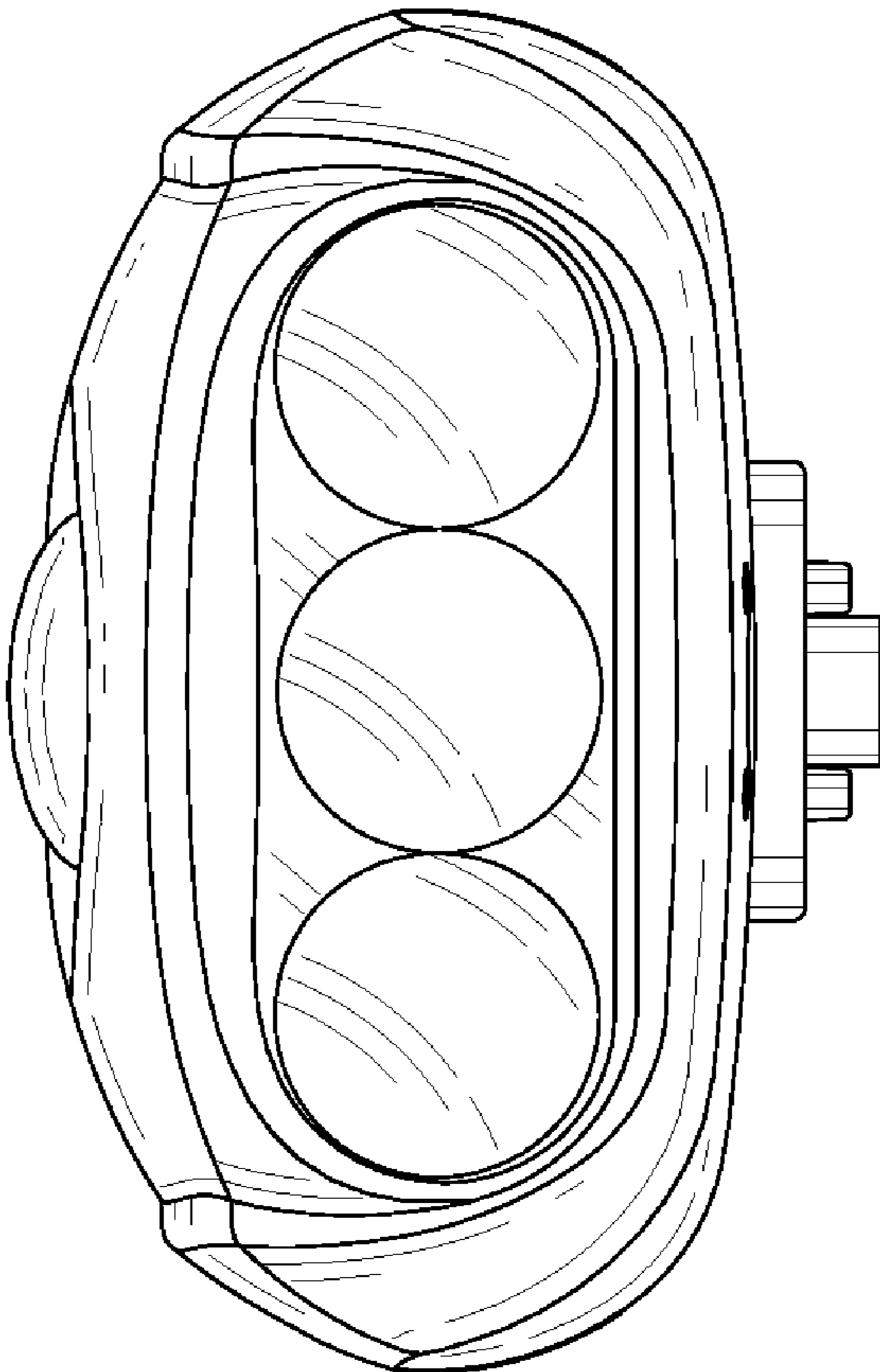


FIG. 2

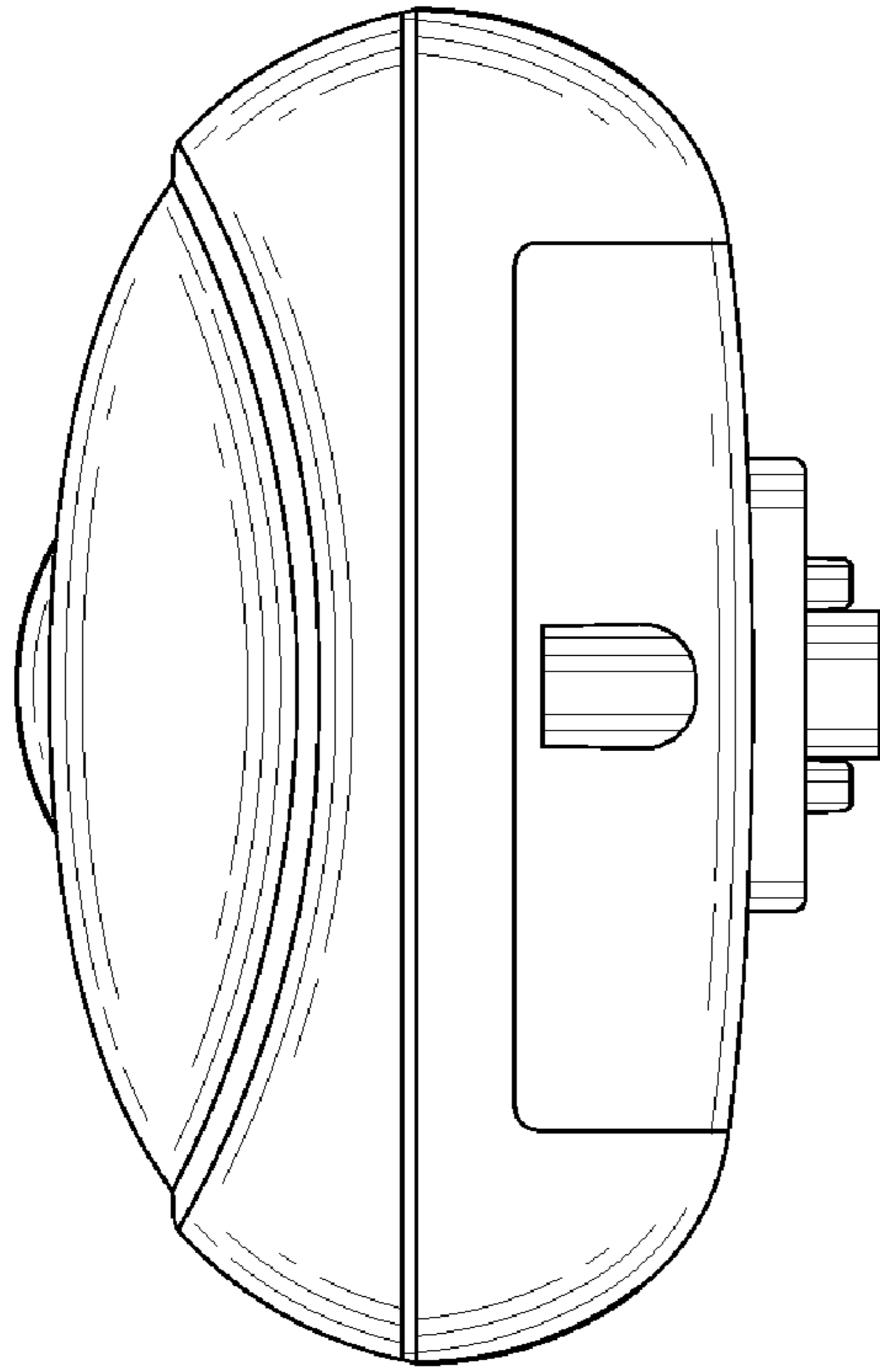


FIG. 3

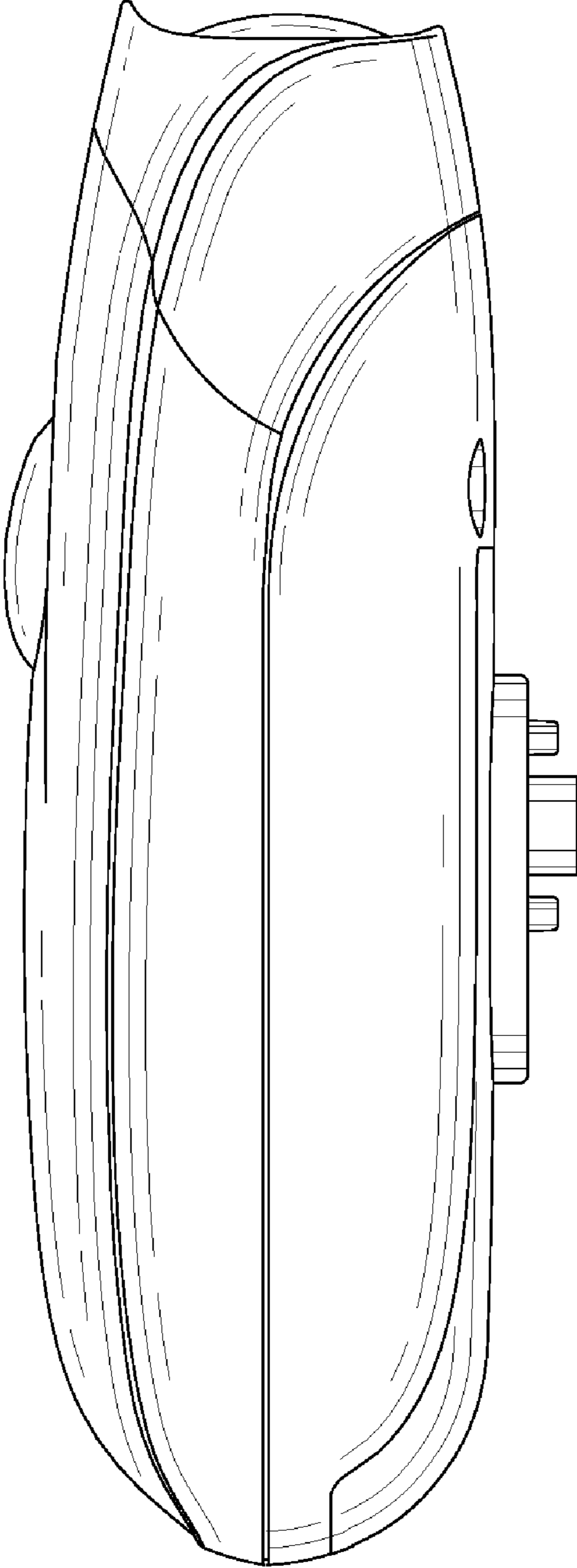


FIG. 4

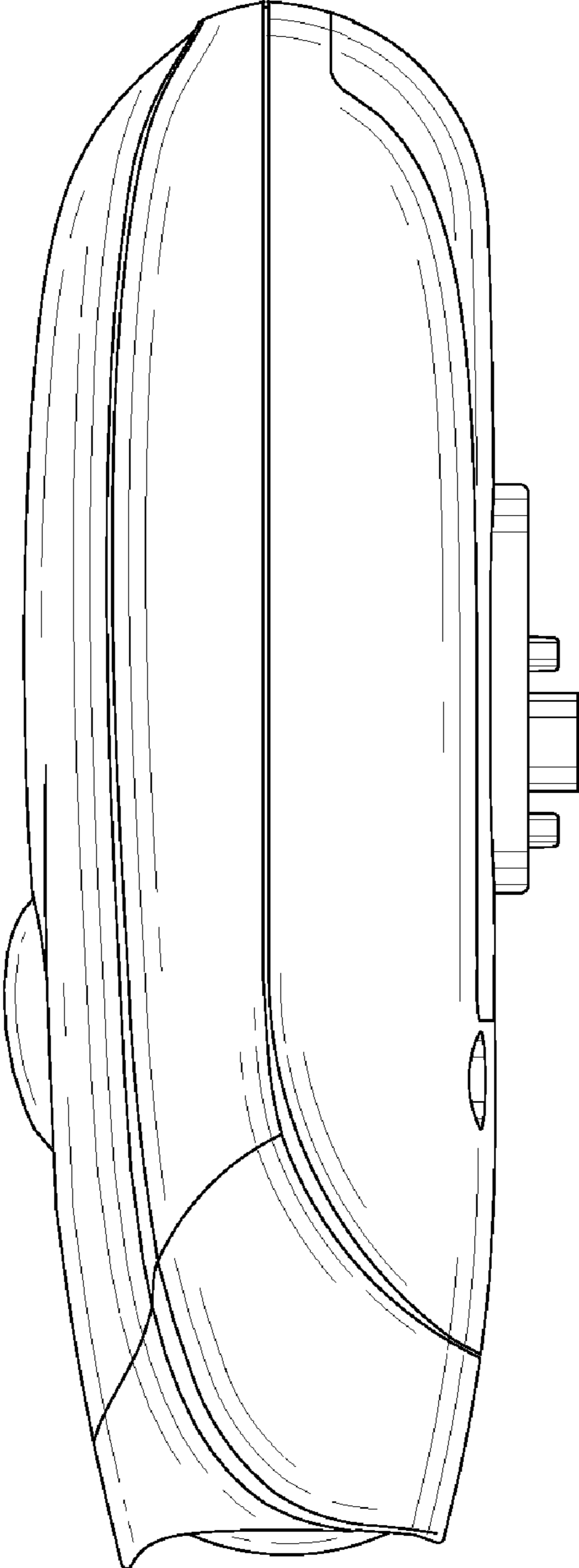


FIG. 5

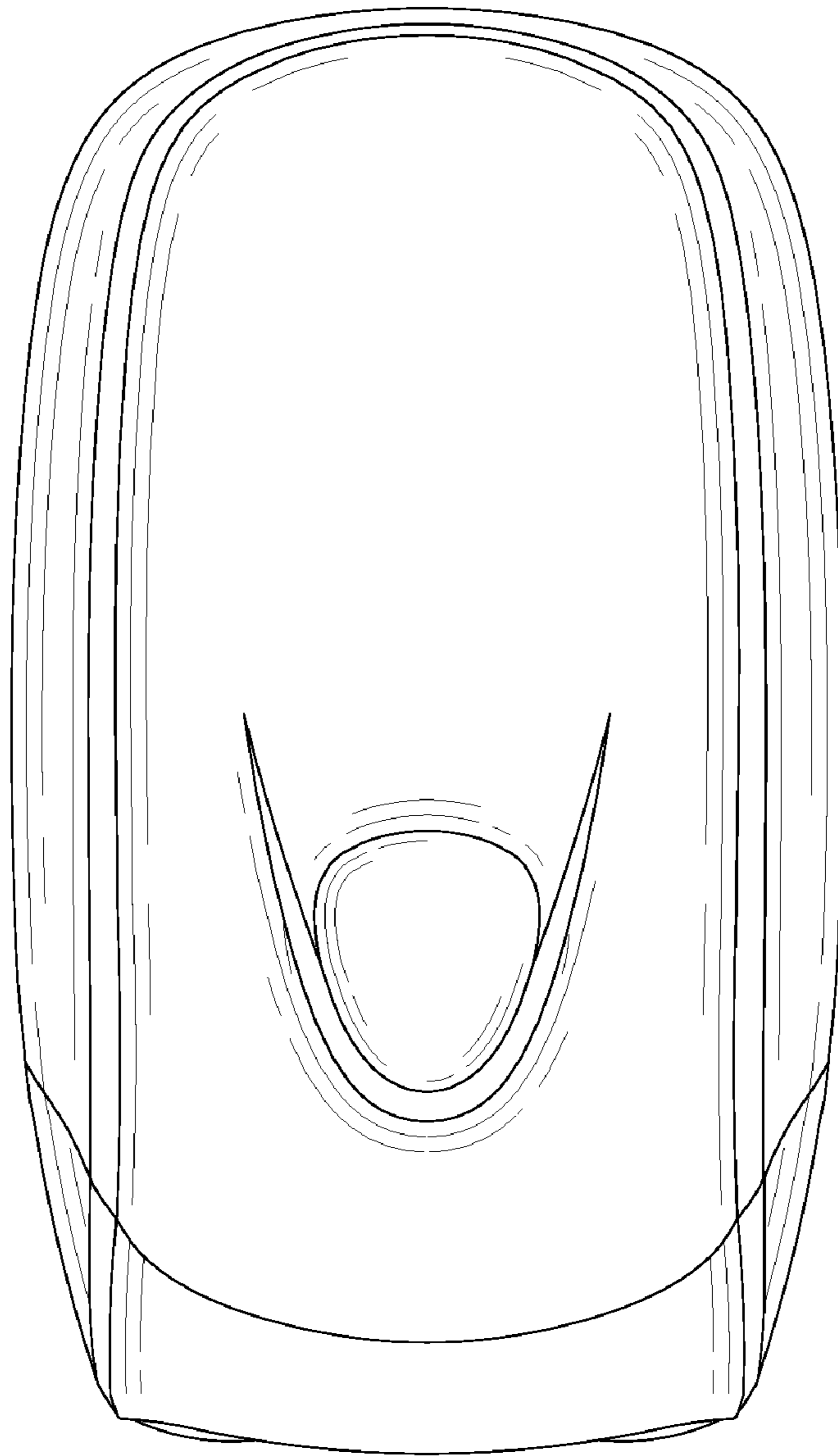


FIG. 6

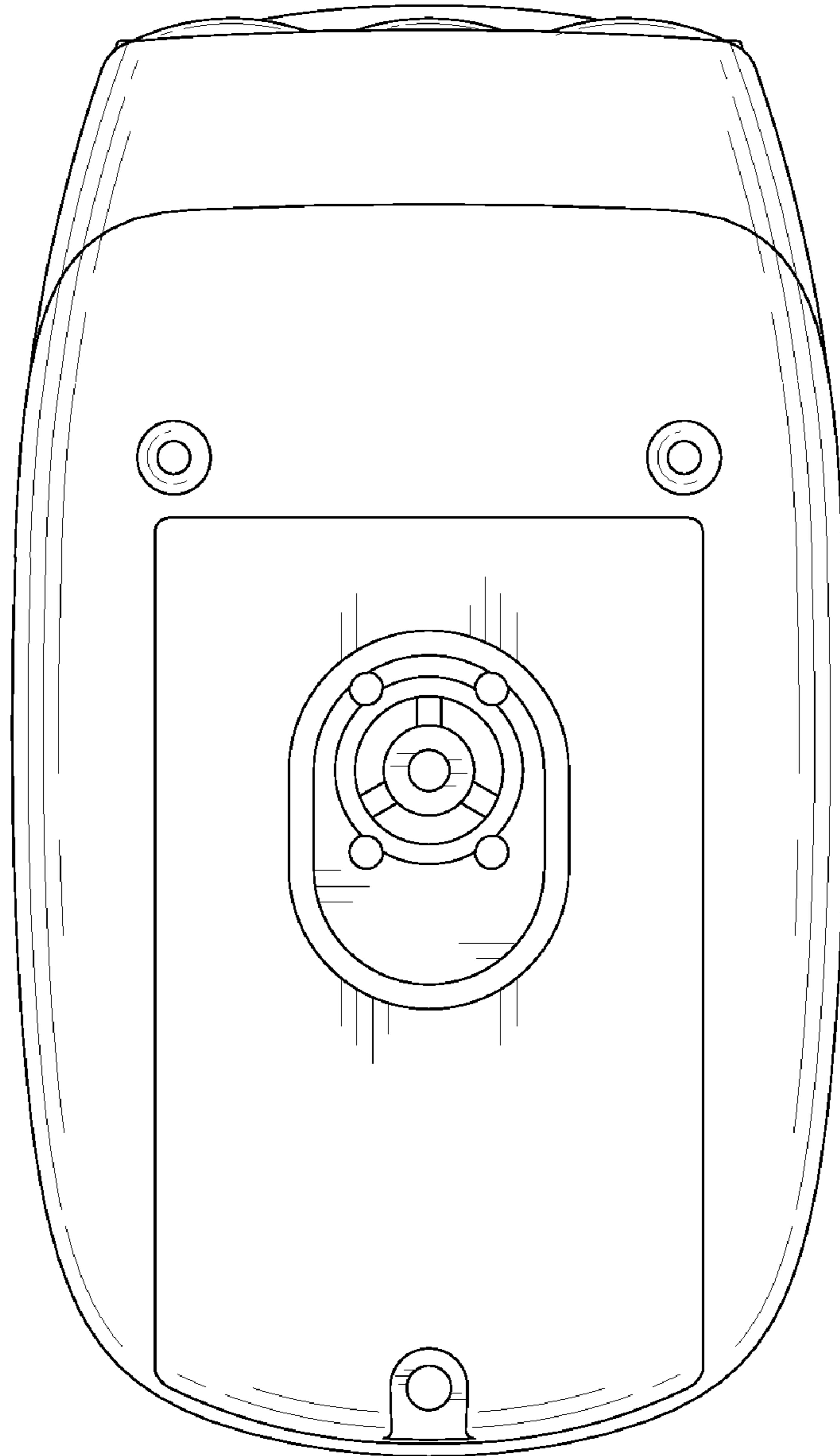


FIG. 7

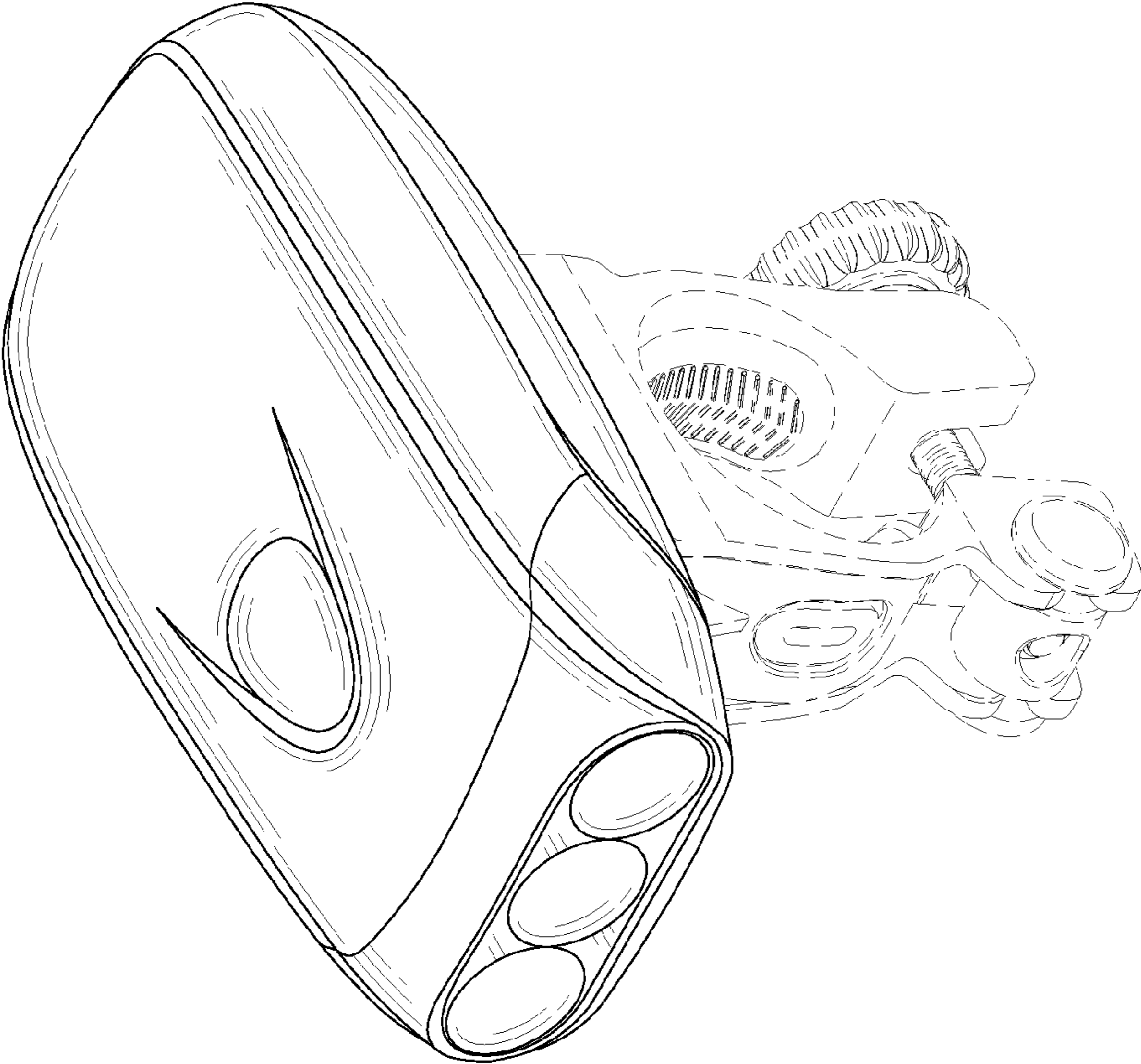


FIG. 8