



US00D569021S

(12) **United States Design Patent** (10) **Patent No.:** **US D569,021 S**
Saridakis et al. (45) **Date of Patent:** **** May 13, 2008**

(54) **VEHICLE HEADLIGHT**

(75) Inventors: **George Saridakis**, Ann Arbor, MI (US); **Robert Jensen**, Canton, MI (US); **Rick Howard**, Ypsilanti, MI (US); **Garen Nicoghosian**, Beverly Hills, MI (US); **William Mangan**, Ann Arbor, MI (US)

(73) Assignee: **Ford Motor Company**, Dearborn, MI (US)

(**) Term: **14 Years**

(21) Appl. No.: **29/284,732**

(22) Filed: **Sep. 14, 2007**

(51) **LOC (8) Cl.** **26-06**

(52) **U.S. Cl.** **D26/28**

(58) **Field of Classification Search** D26/28-36;
362/459-468, 475-478, 485-487
See application file for complete search history.

(56) **References Cited**

U.S. PATENT DOCUMENTS

D501,940 S *	2/2005	Abe	D26/28
D506,842 S *	6/2005	Nagura et al.	D26/28
D518,199 S *	3/2006	Honda	D26/28
D536,810 S *	2/2007	Ishikura	D26/28

OTHER PUBLICATIONS

U.S. Appl. No. 29/194,562, filed Nov. 26, 2003, Mays.
U.S. Appl. No. 29/242,333, filed Nov. 9, 2005, Gaffka.

Ford, Mustang GT Convertible, Detroit 2005.
Ford, Concept Stang, Los Angeles 2006.
Ford, Mustang Shelby GT500, Detroit 2007.
Ford, Mustang, 2009 Spied, www.Autobytel.com.
Ford, Mustang, www.autospies.com.
Ford, Mustang, Autoweek, Dec. 18, 2006.
Ford, Mustang, 2009 Winding Road for Drivers news.wingingroad.com.

* cited by examiner

Primary Examiner—Marcus A. Jackson

(74) *Attorney, Agent, or Firm*—Damian Porcari

(57) **CLAIM**

The ornamental design of a vehicle headlight, as shown and described.

DESCRIPTION

FIG. 1 is a front elevational view of a left vehicle headlight (as viewed from the front of the vehicle). Some small feature lines on the inner surface of the lens are not visible in this rendering. Only the left vehicle headlight is illustrated (the right vehicle headlight is a mirror of the left and is not illustrated but nonetheless covered by this patent);

FIG. 2 is a left elevational view of the vehicle headlight;

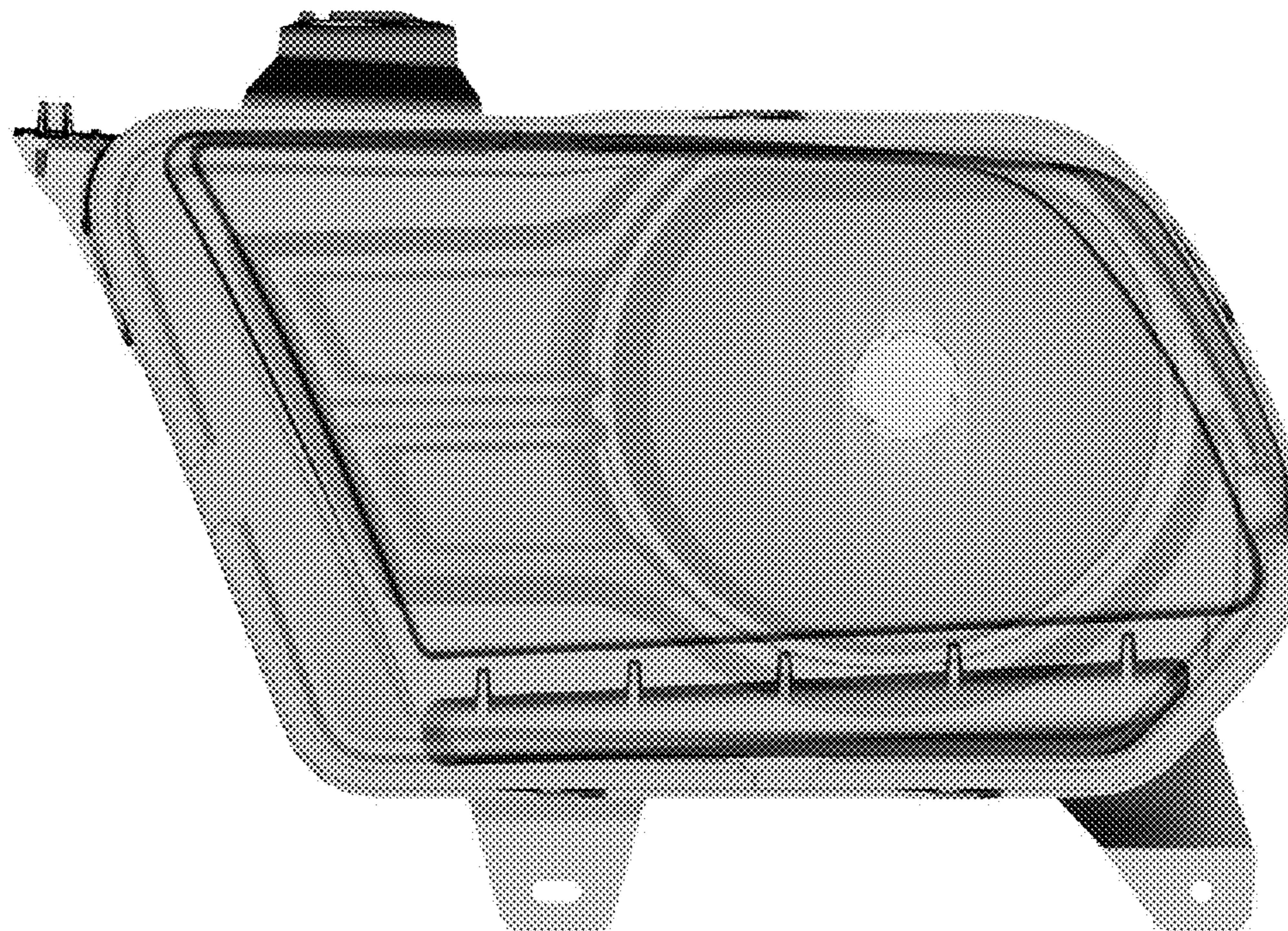
FIG. 3 is a right elevational view of the vehicle headlight;

FIG. 4 is a top plan view of the vehicle headlight;

FIG. 5 is bottom plan view of the vehicle headlight; and,

FIG. 6 is a rear elevational view of the vehicle headlight.

1 Claim, 6 Drawing Sheets



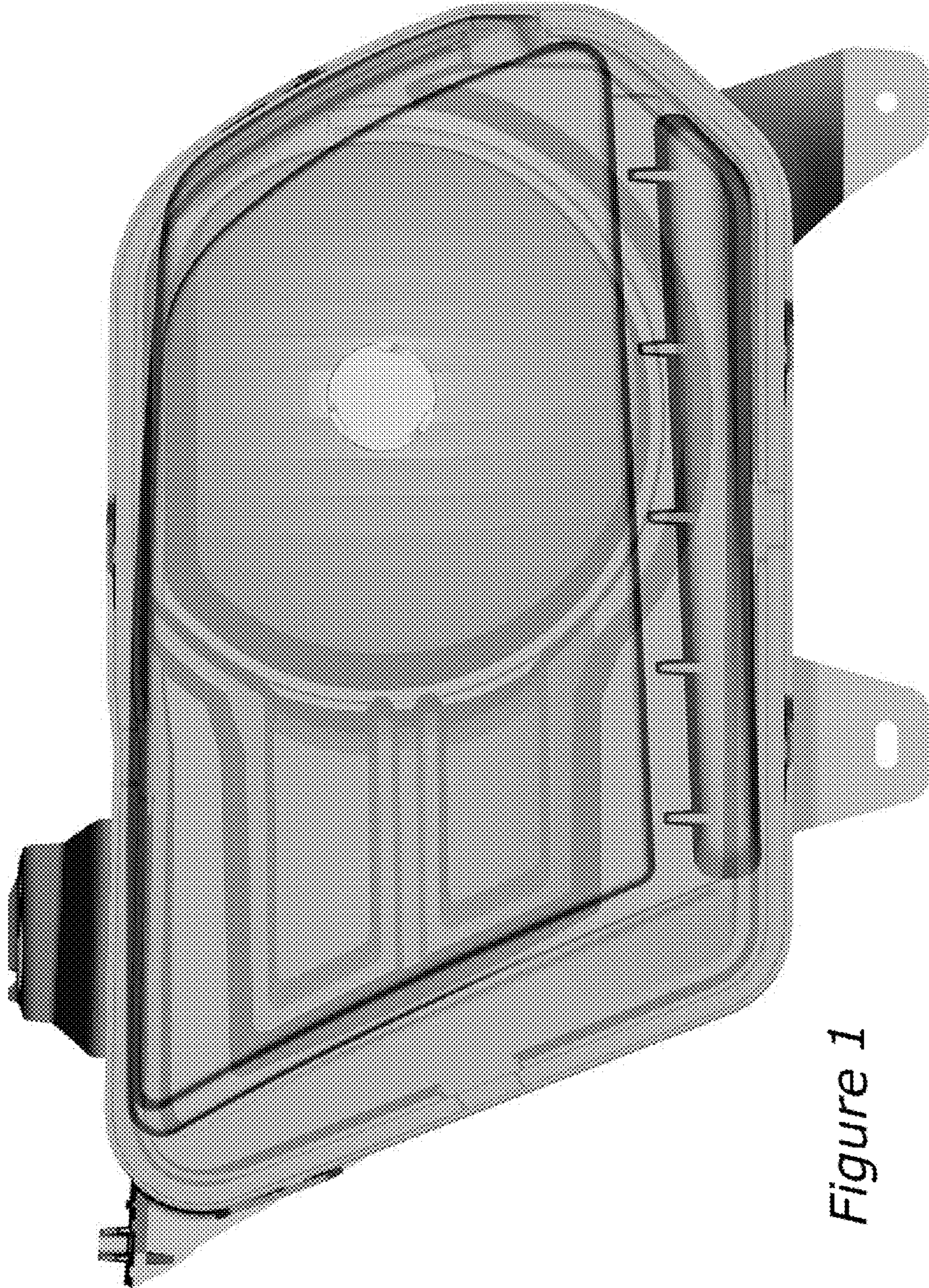


Figure 1

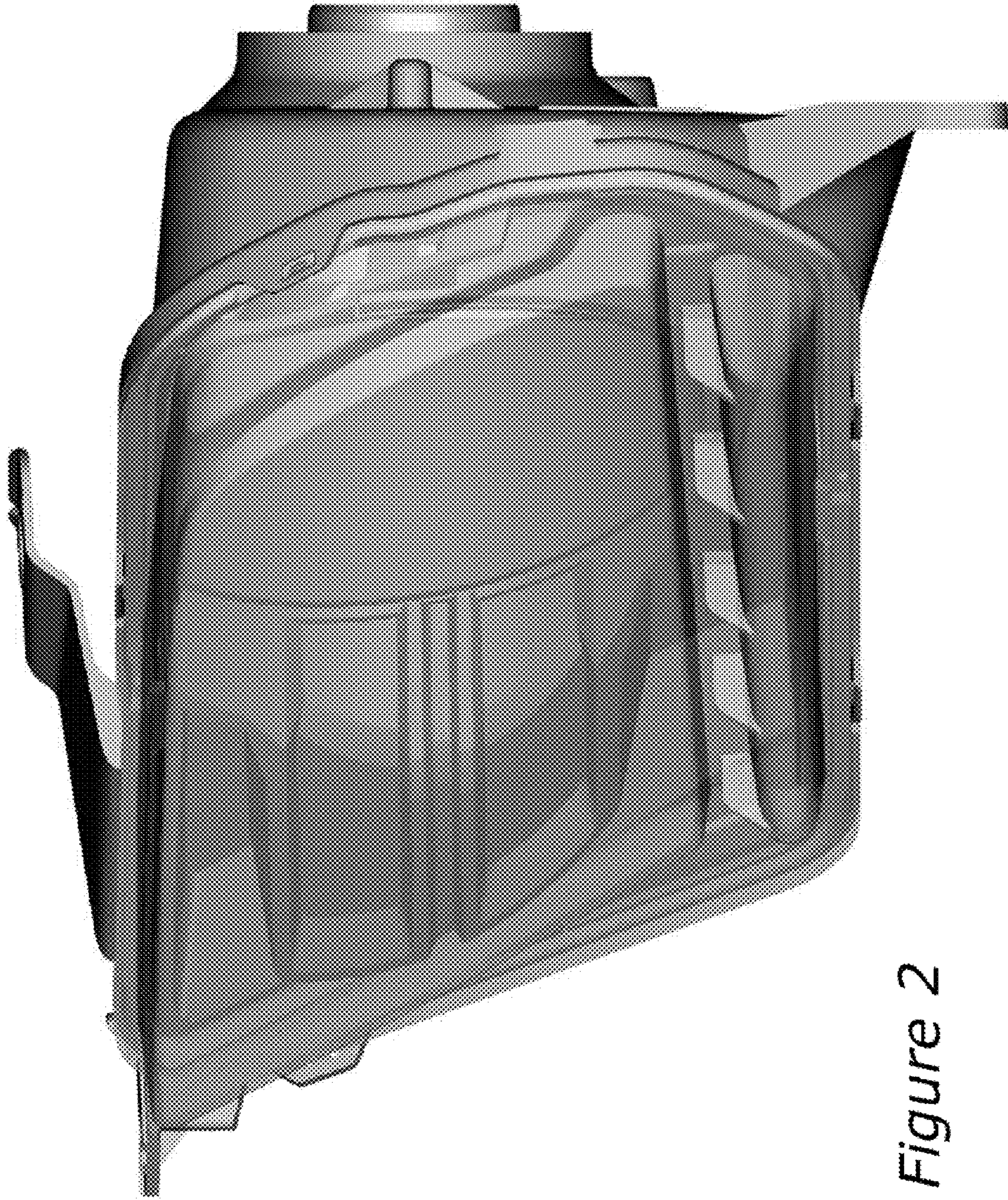


Figure 2

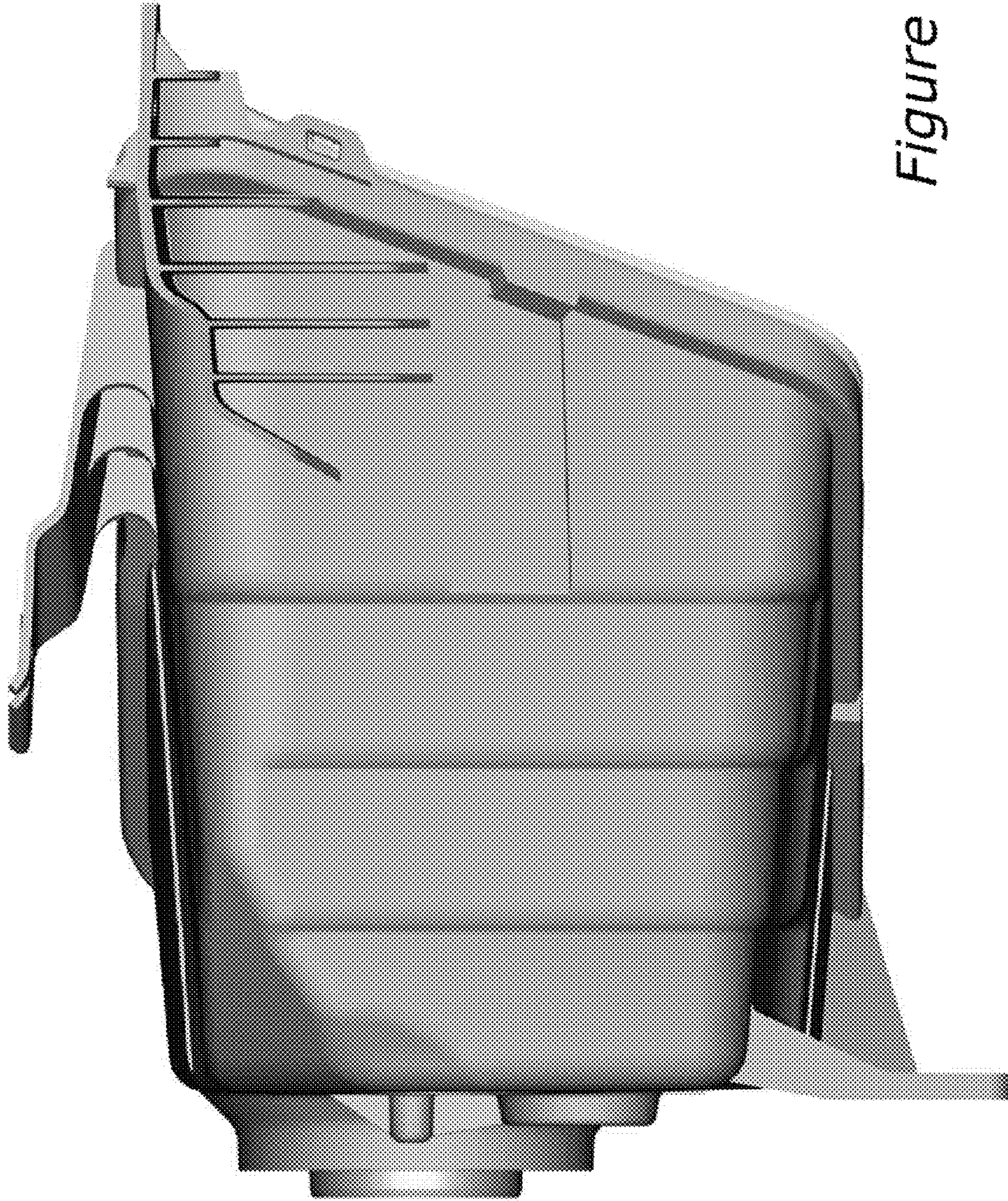


Figure 3

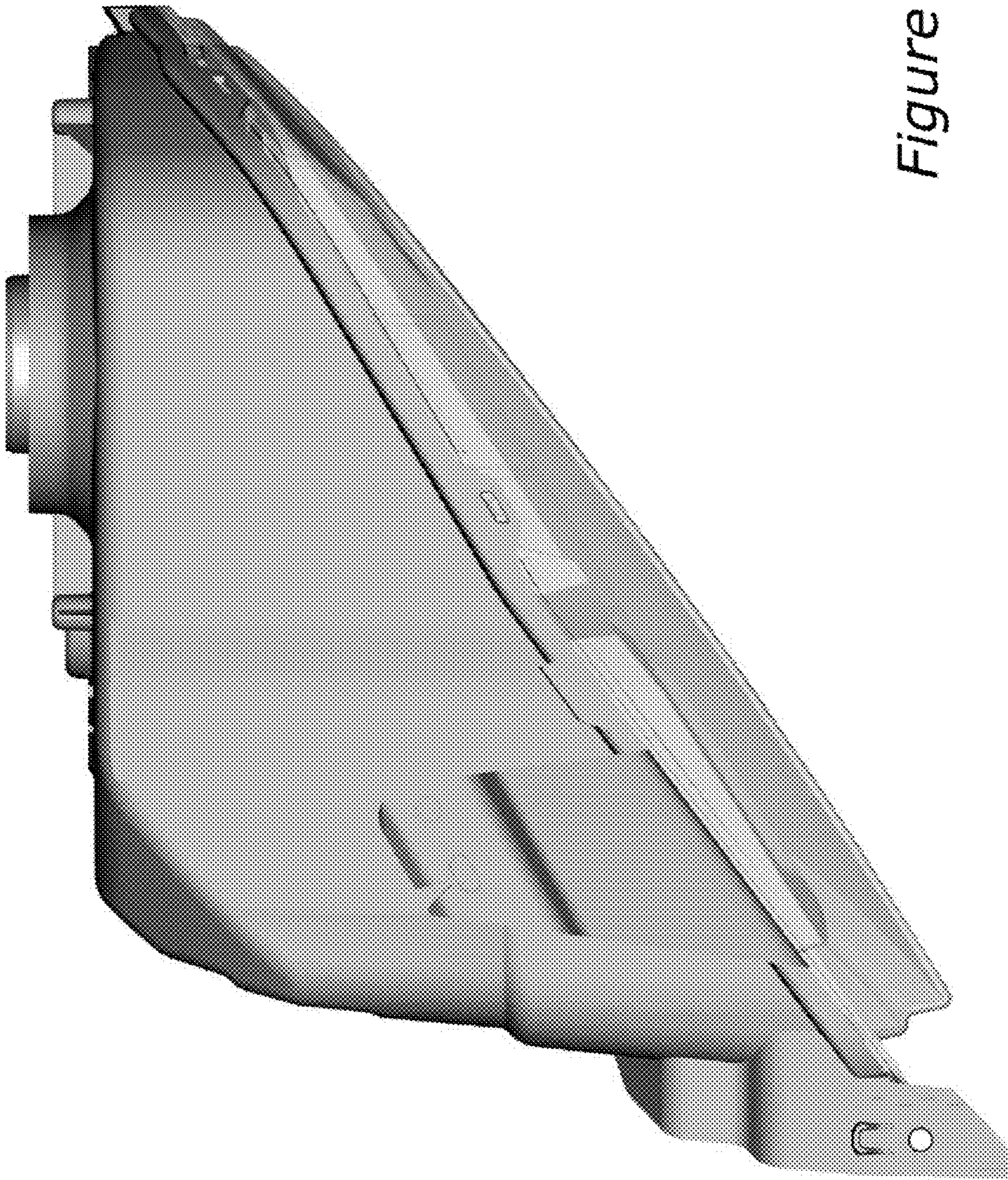


Figure 4

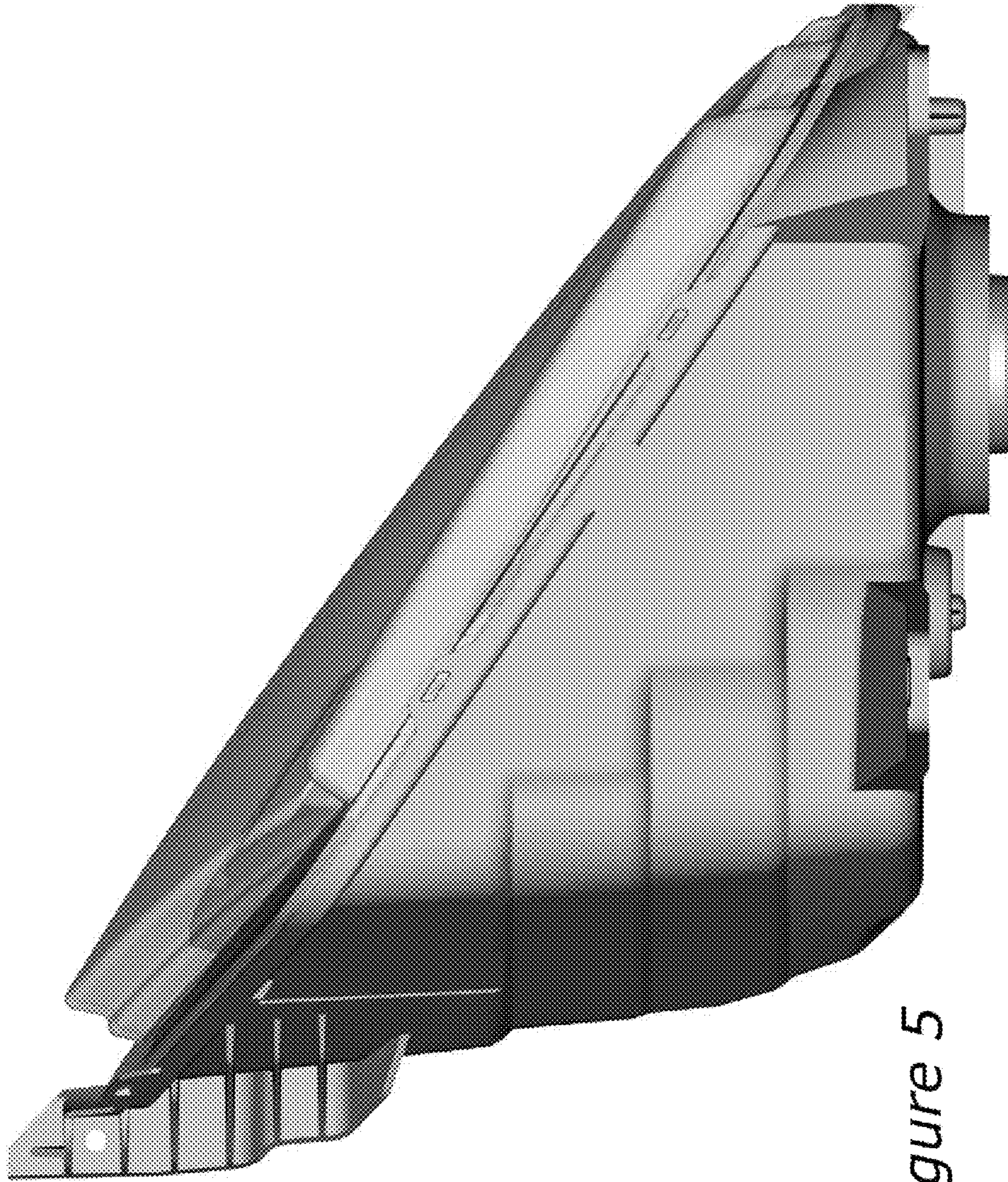


Figure 5

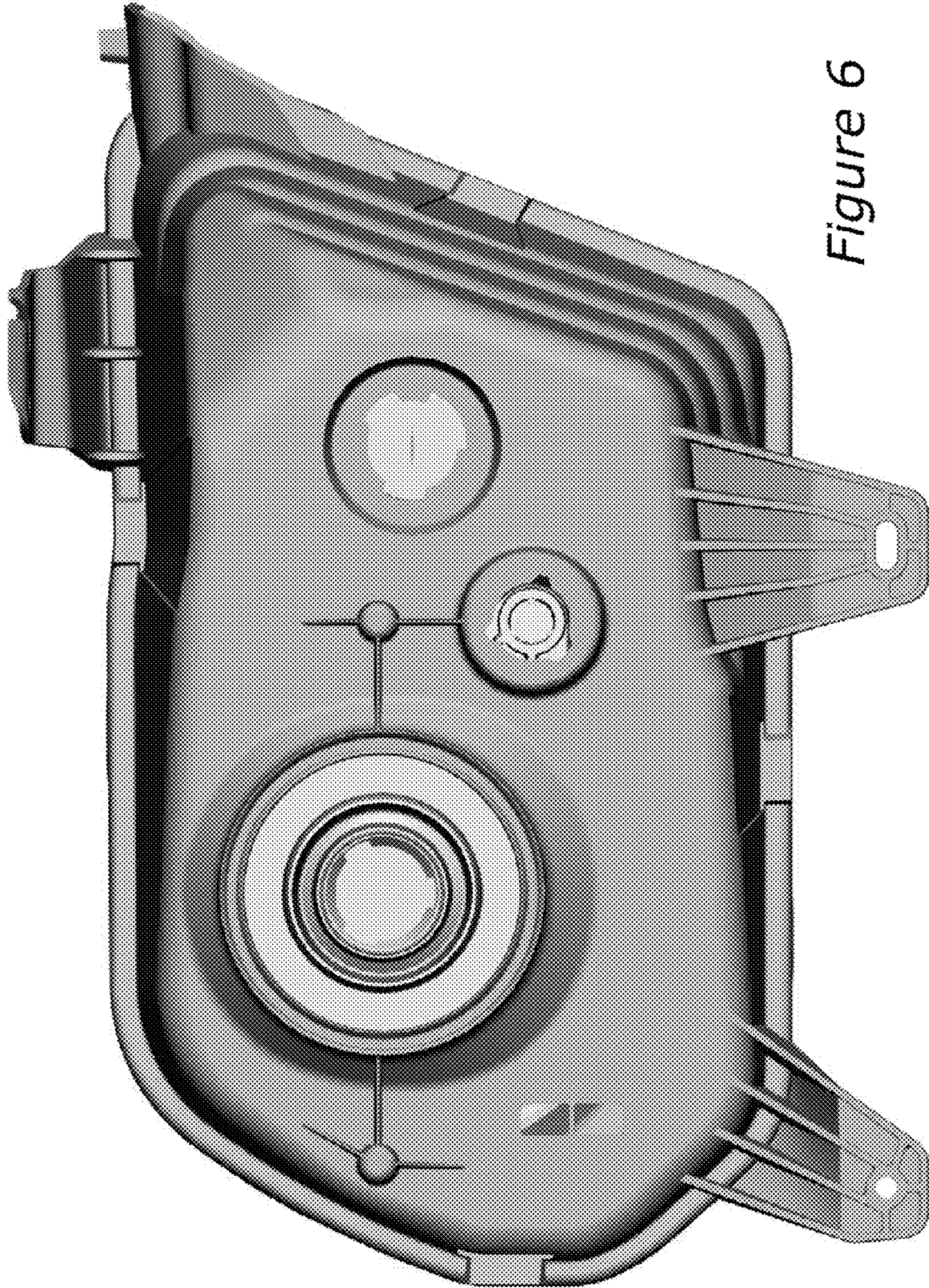


Figure 6