



US00D569019S

(12) **United States Design Patent**
Hsu

(10) **Patent No.:** **US D569,019 S**

(45) **Date of Patent:** **** May 13, 2008**

(54) **EXTERIOR SURFACE CONFIGURATION OF A VEHICLE FRONT LIGHT**

Primary Examiner—Marcus A. Jackson
(74) *Attorney, Agent, or Firm*—WPAT, P.C.

(75) Inventor: **Hong-Ming Hsu**, Tainan (TW)

(57) **CLAIM**

(73) Assignee: **Eagle Eyes Traffic Ind. Co., Ltd**,
Tainan Hsien (TW)

I claim, the ornamental design for an exterior surface configuration of a vehicle front light, as shown and described.

(**) Term: **14 Years**

(21) Appl. No.: **29/277,913**

DESCRIPTION

(22) Filed: **Mar. 13, 2007**

(51) **LOC (8) Cl.** **26-06**

(52) **U.S. Cl.** **D26/28**

(58) **Field of Classification Search** D26/28–36;
362/459–468, 475–478, 485–487
See application file for complete search history.

FIG. 1 is a perspective view from the front left of an exterior surface configuration of a vehicle front light showing my present design;

FIG. 2 is a front view thereof;

FIG. 3 is a left view thereof, and,

FIG. 4 is a top view thereof.

(56) **References Cited**

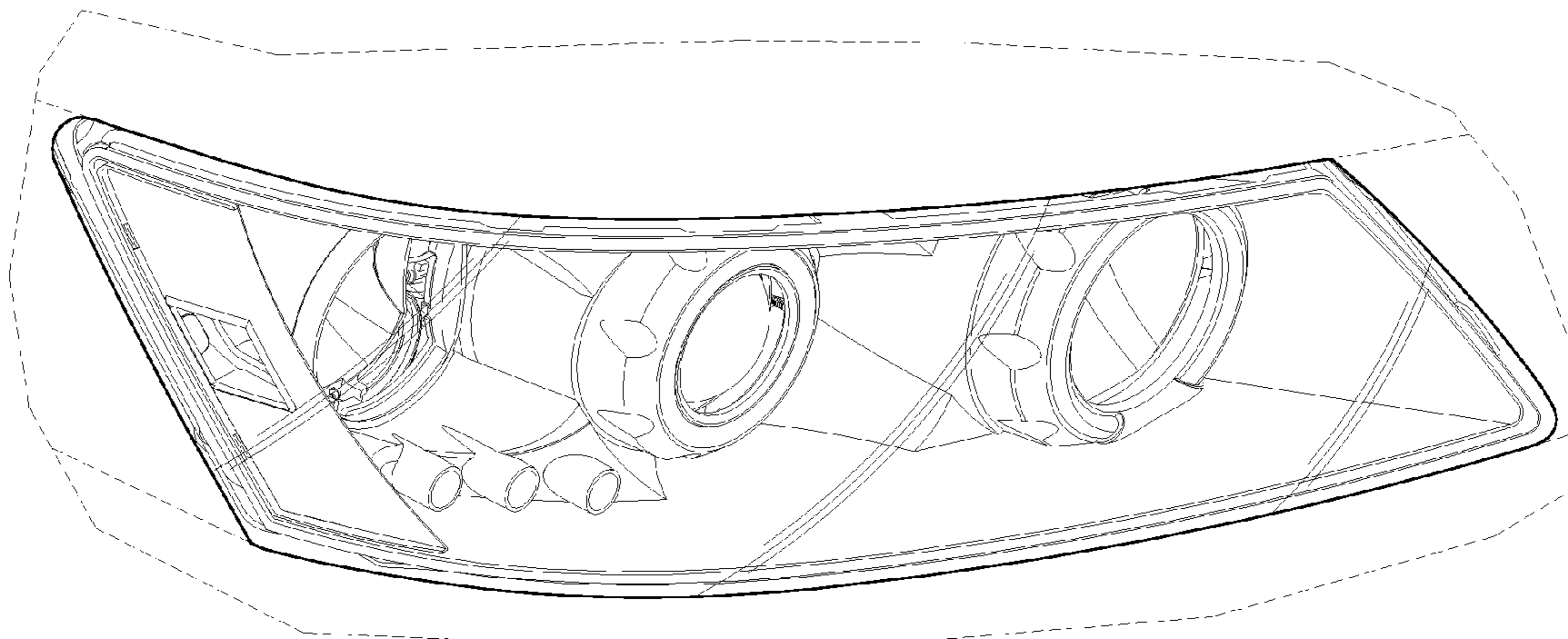
U.S. PATENT DOCUMENTS

D528,681 S *	9/2006	Nakahara	D26/28
D528,685 S *	9/2006	Yoshida	D26/28
D544,114 S *	6/2007	Ohta	D26/28
D560,830 S *	1/2008	Hsu	D26/28
D561,358 S *	2/2008	Tachibana	D26/28

This design represents one embodiment of a design for an exterior surface configuration of a vehicle front light. The drawings and descriptions represent the left side embodiment. The design also contemplates a mirror symmetrical embodiment on the right side of the vehicle. The dash line included denotes environment and is not part of the claimed design.

* cited by examiner

1 Claim, 4 Drawing Sheets



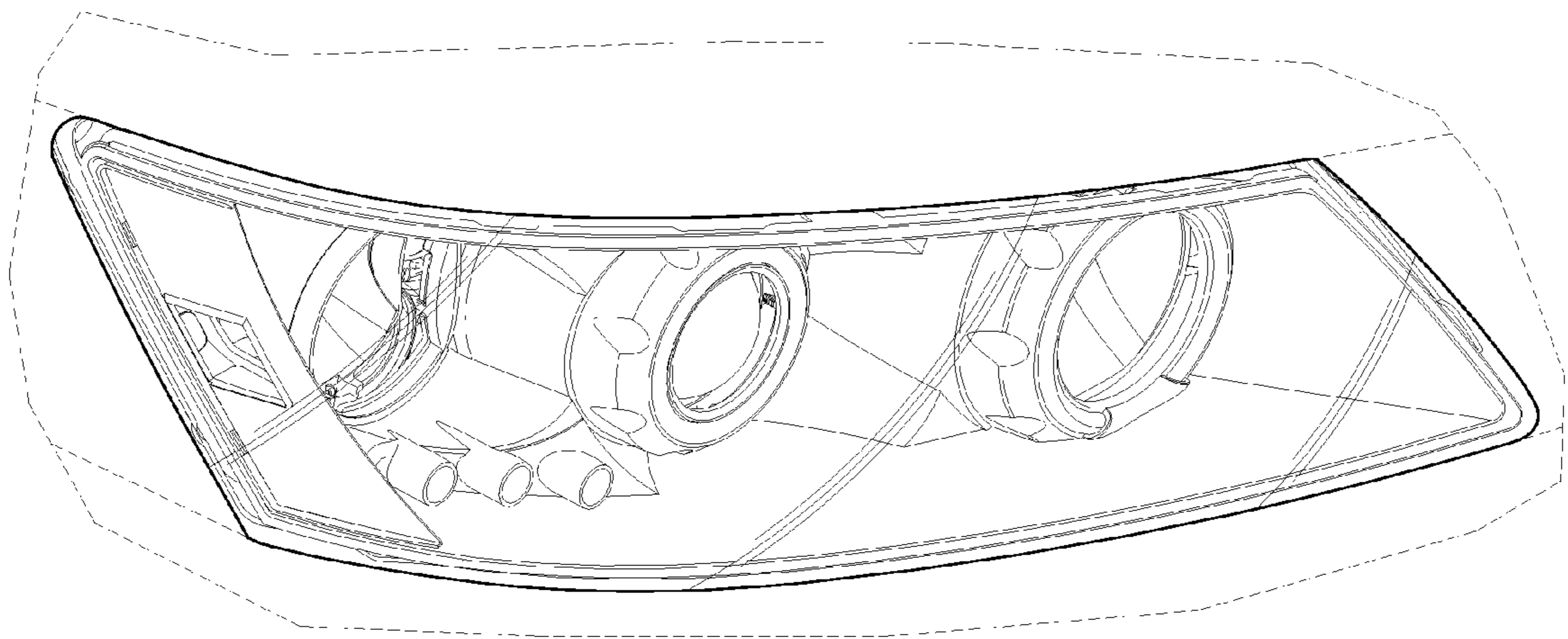


FIG. 1

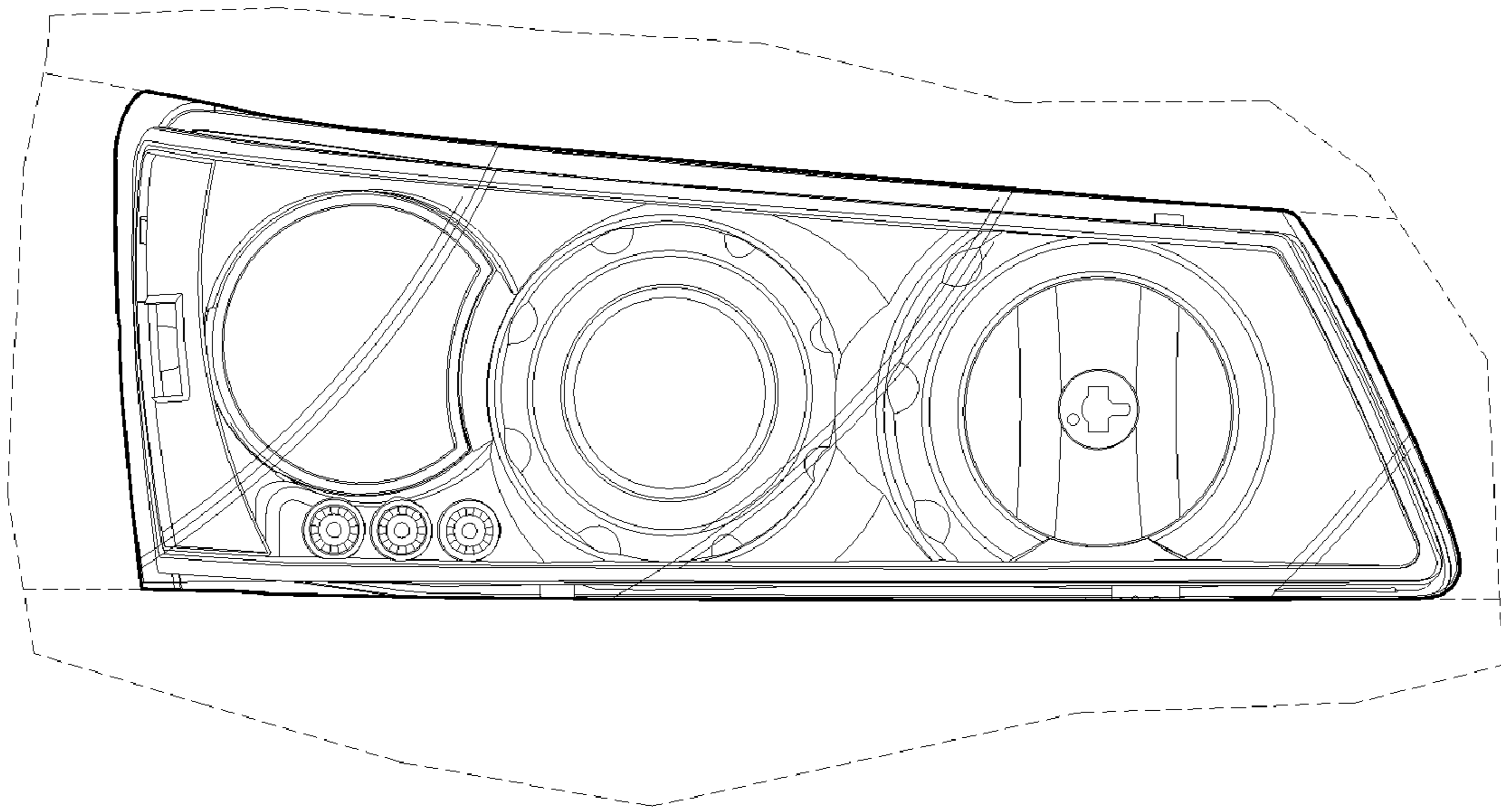


FIG . 2

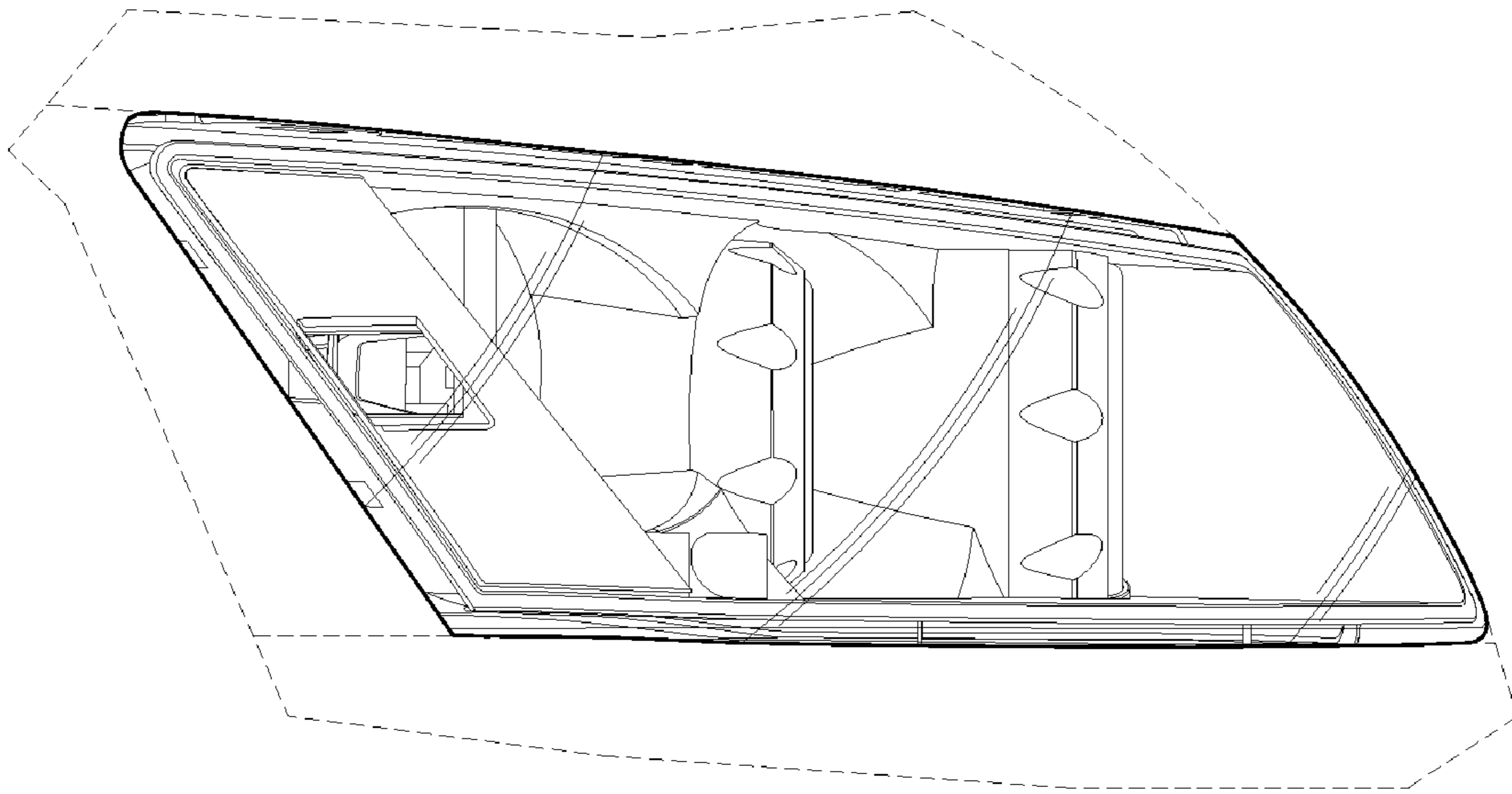


FIG. 3

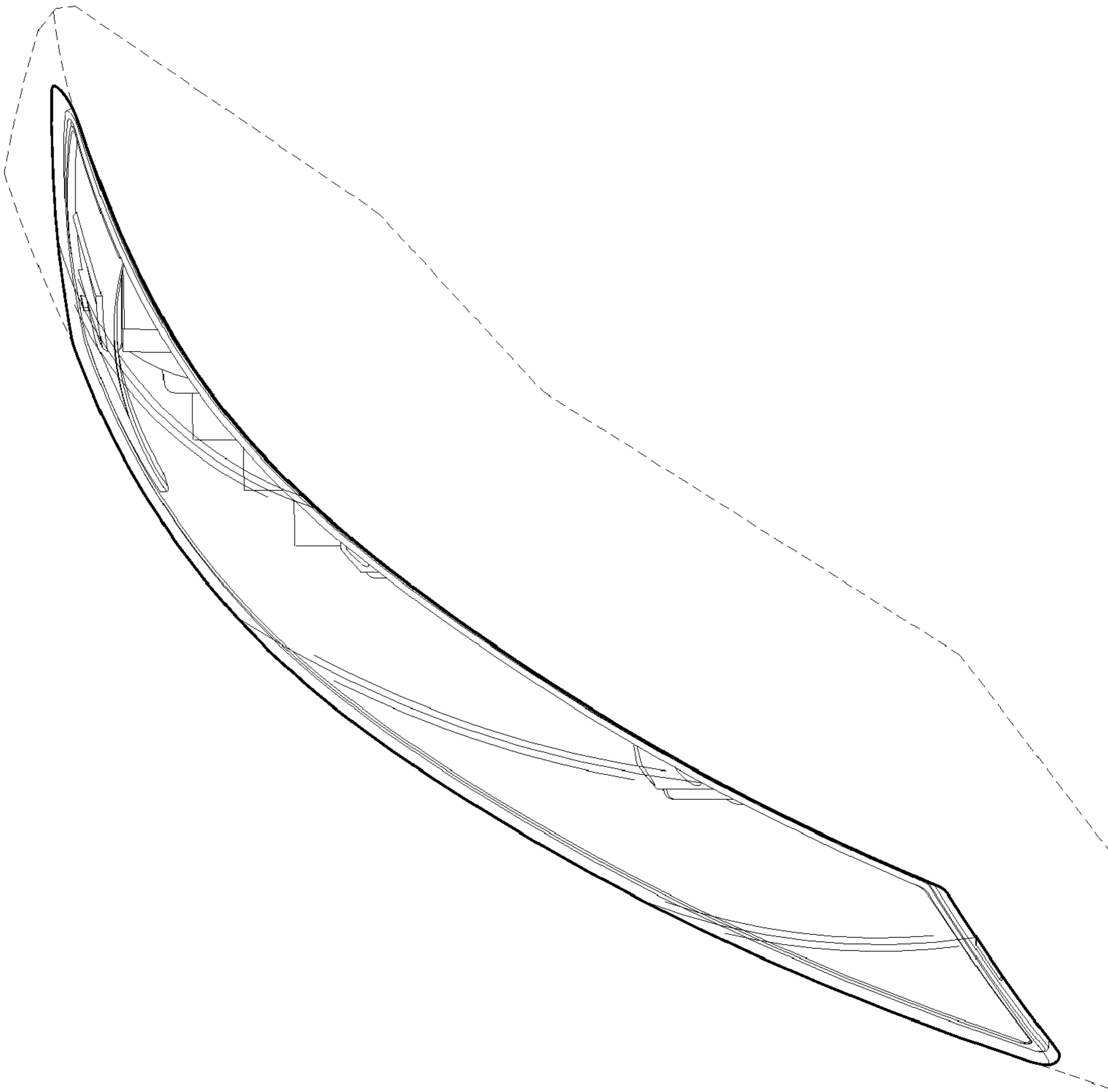


FIG . 4