



US00D569016S

(12) **United States Design Patent**  
**Tsukui et al.**

(10) **Patent No.:** **US D569,016 S**

(45) **Date of Patent:** **\*\* May 13, 2008**

(54) **REAR LIGHT OF TWO-WHEELED MOTOR VEHICLES**

D530,029 S \* 10/2006 Neufeglise et al. .... D26/28

\* cited by examiner

(75) Inventors: **Hiroaki Tsukui**, Wako (JP); **Takao Mikami**, Wako (JP)

*Primary Examiner*—Marcus A. Jackson  
(74) *Attorney, Agent, or Firm*—Arent Fox LLP.

(73) Assignee: **Honda Giken Kogyo Kabushiki Kaisha**, Tokyo (JP)

(57) **CLAIM**

(\*\*) Term: **14 Years**

The ornamental design for a rear light of two-wheeled motor vehicles, as shown and described.

(21) Appl. No.: **29/176,587**

**DESCRIPTION**

(22) Filed: **Feb. 26, 2003**

FIG. 1 is a front view of a rear light showing our new design.

(51) **LOC (8) Cl.** ..... **26-06**

FIG. 2 is a rear view thereof.

(52) **U.S. Cl.** ..... **D26/28**

FIG. 3 is a plan view thereof.

(58) **Field of Classification Search** ..... D26/28–36;  
362/459–468, 475–478, 485–487

FIG. 4 is a bottom view thereof.

See application file for complete search history.

FIG. 5 is a right side view thereof.

FIG. 6 is a left side view thereof.

(56) **References Cited**

FIG. 7 is a front perspective view thereof; and,

**U.S. PATENT DOCUMENTS**

FIG. 8 is a rear perspective view thereof.

D451,218 S \* 11/2001 Bernier ..... D26/28

The broken lines show environment and form no part of the claimed design.

D483,505 S \* 12/2003 Schwerdtmann ..... D26/31

D489,466 S \* 5/2004 Dohogne et al. .... D26/28

D518,905 S \* 4/2006 Okuda et al. .... D26/28

**1 Claim, 4 Drawing Sheets**

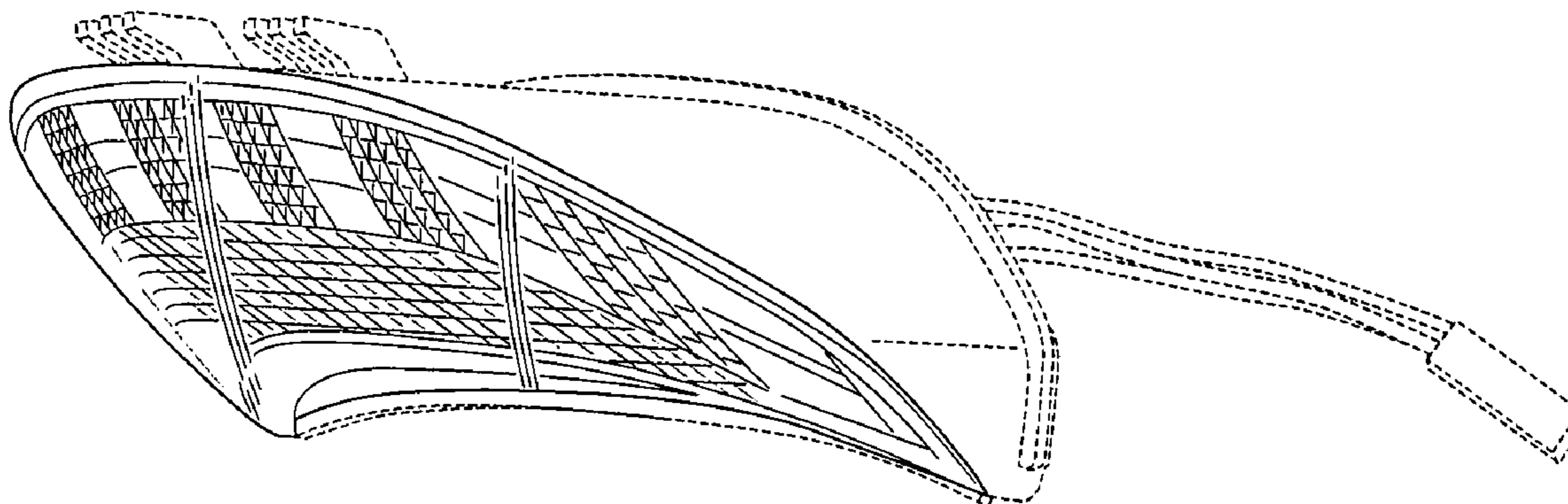


FIG.1

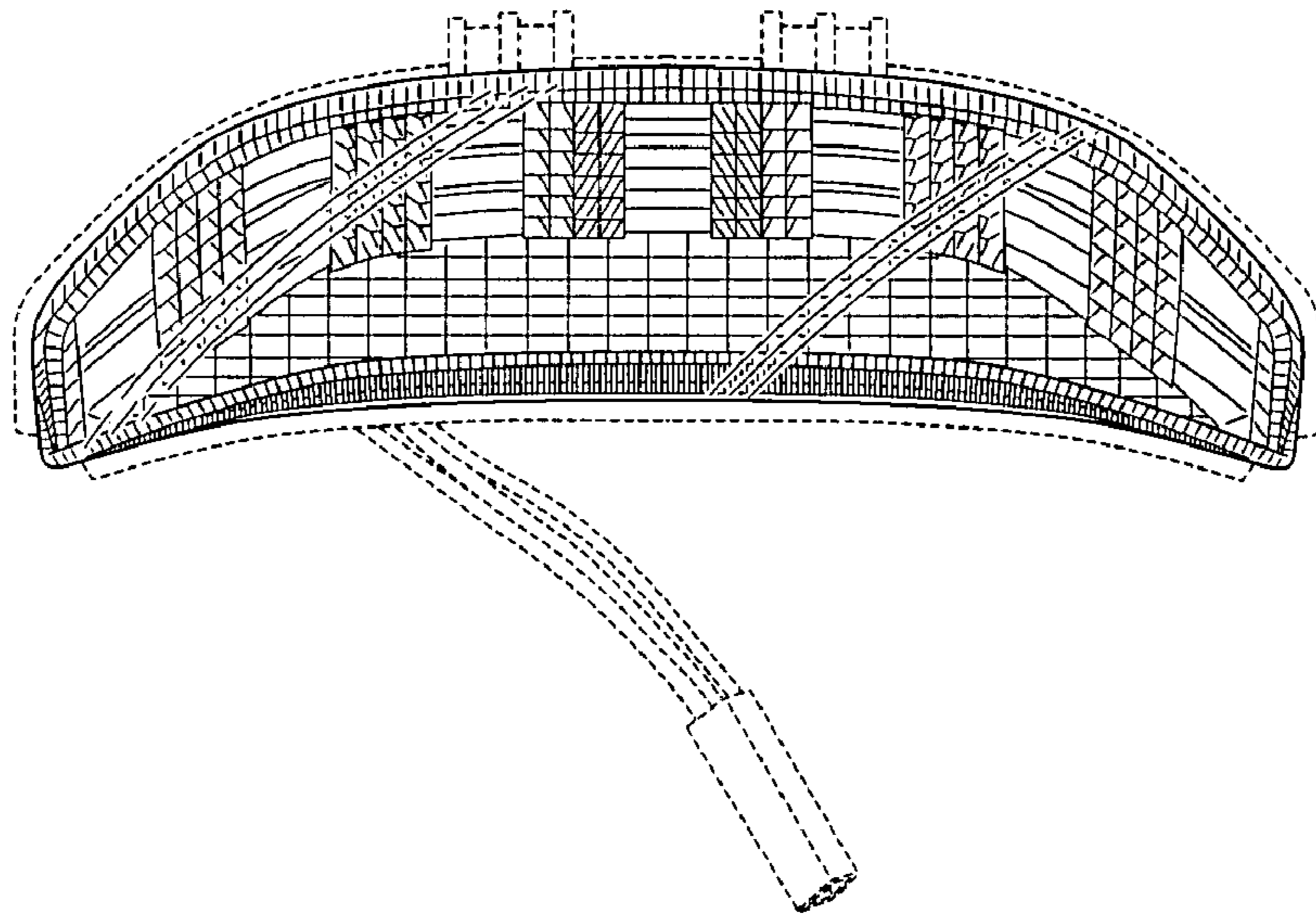


FIG.2

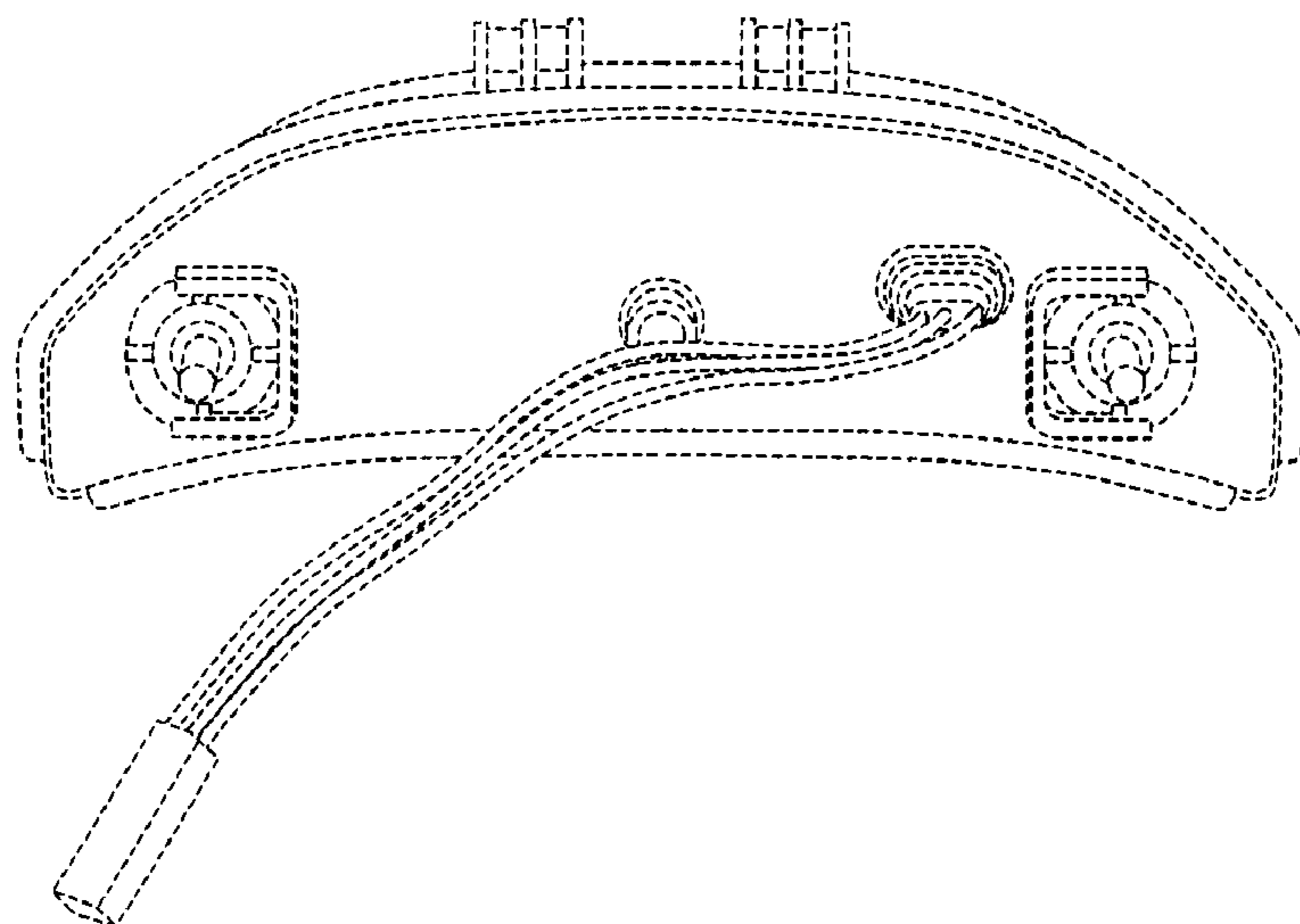


FIG.3

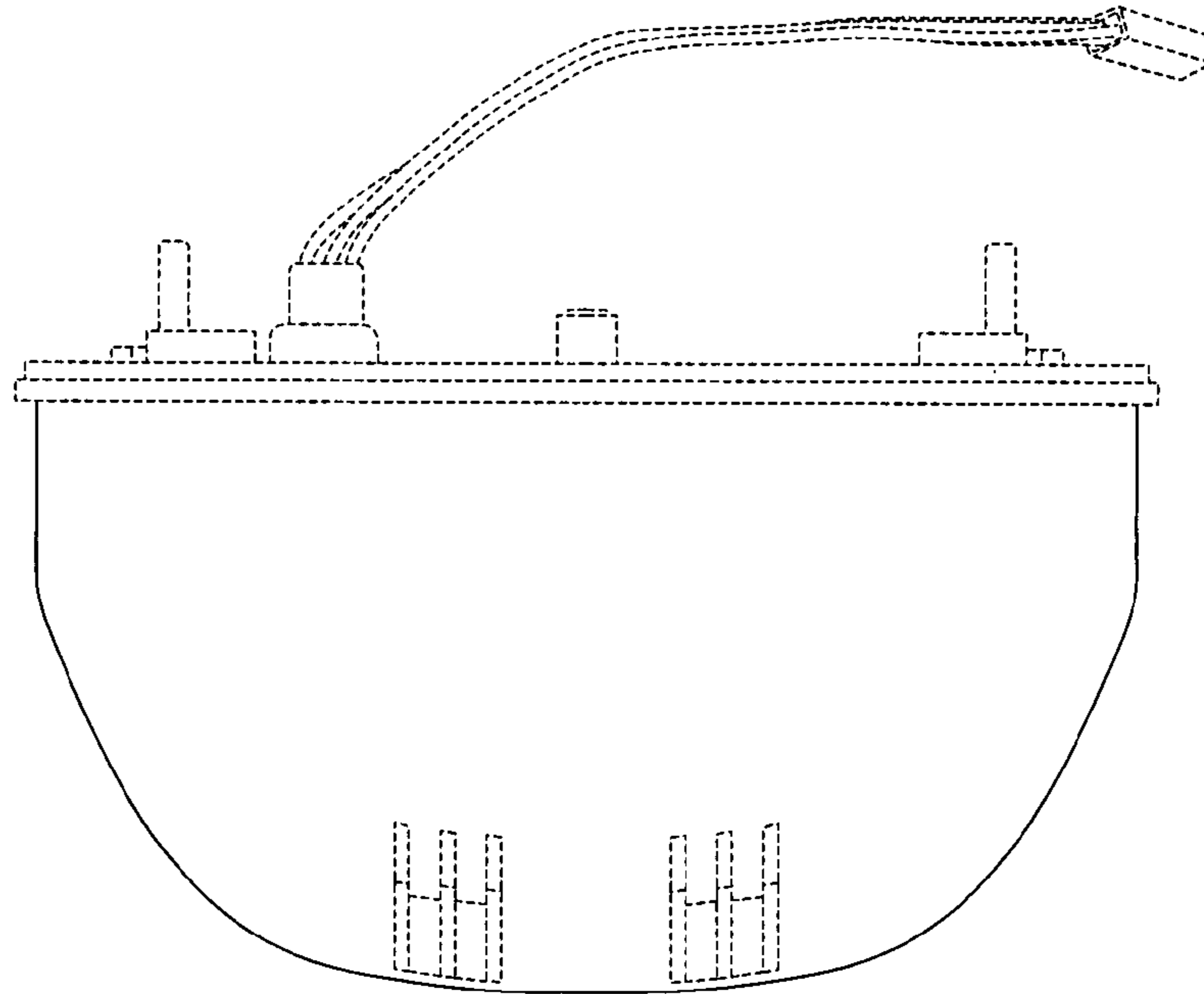


FIG.4

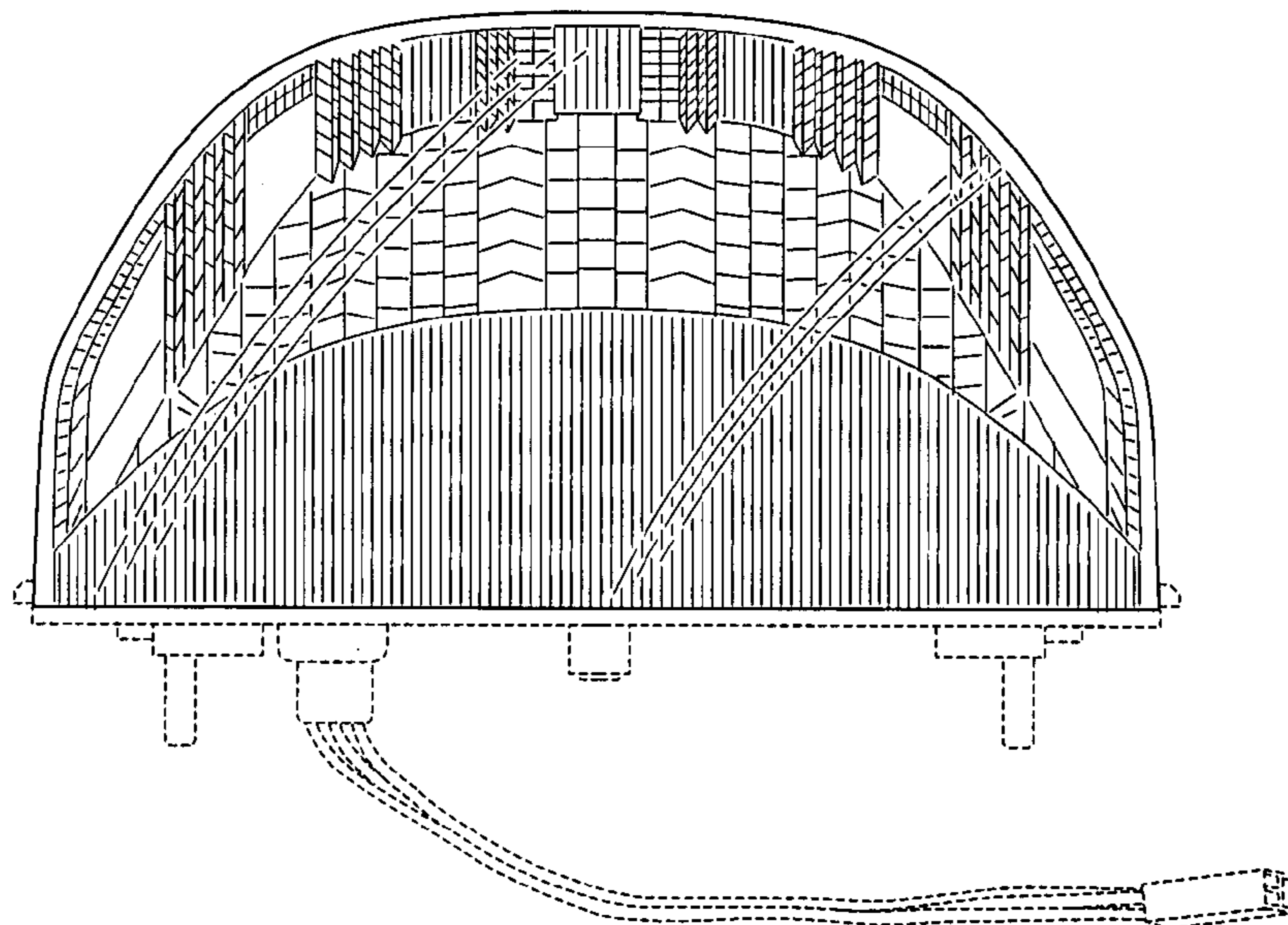


FIG.5

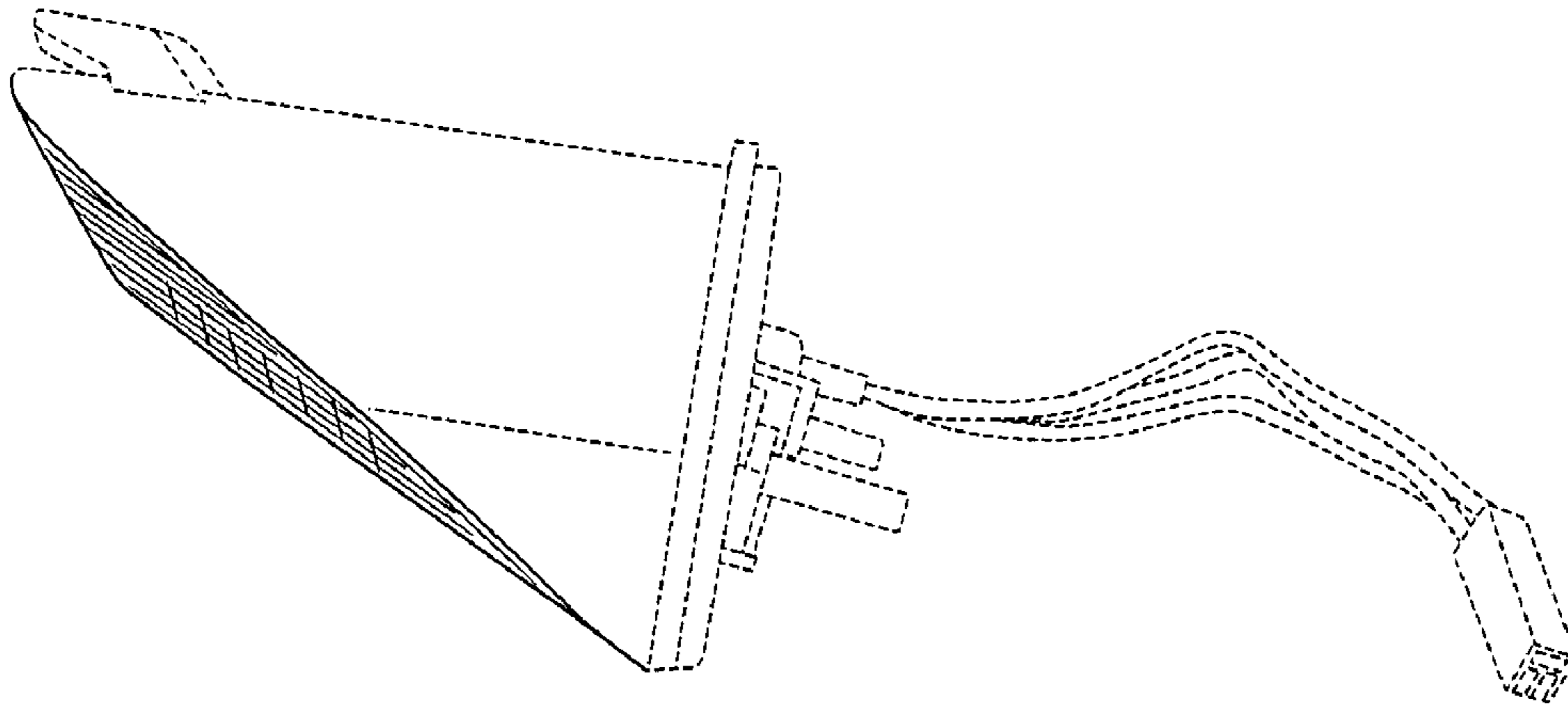


FIG.6

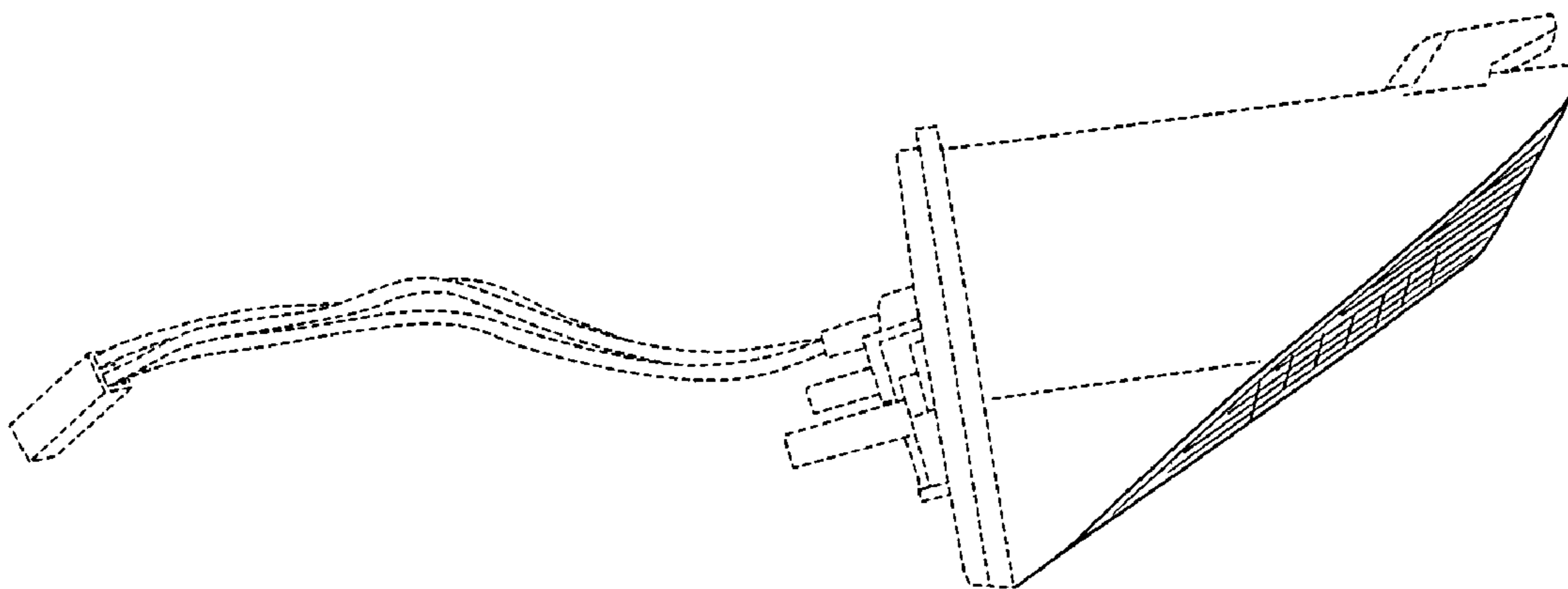


FIG.7

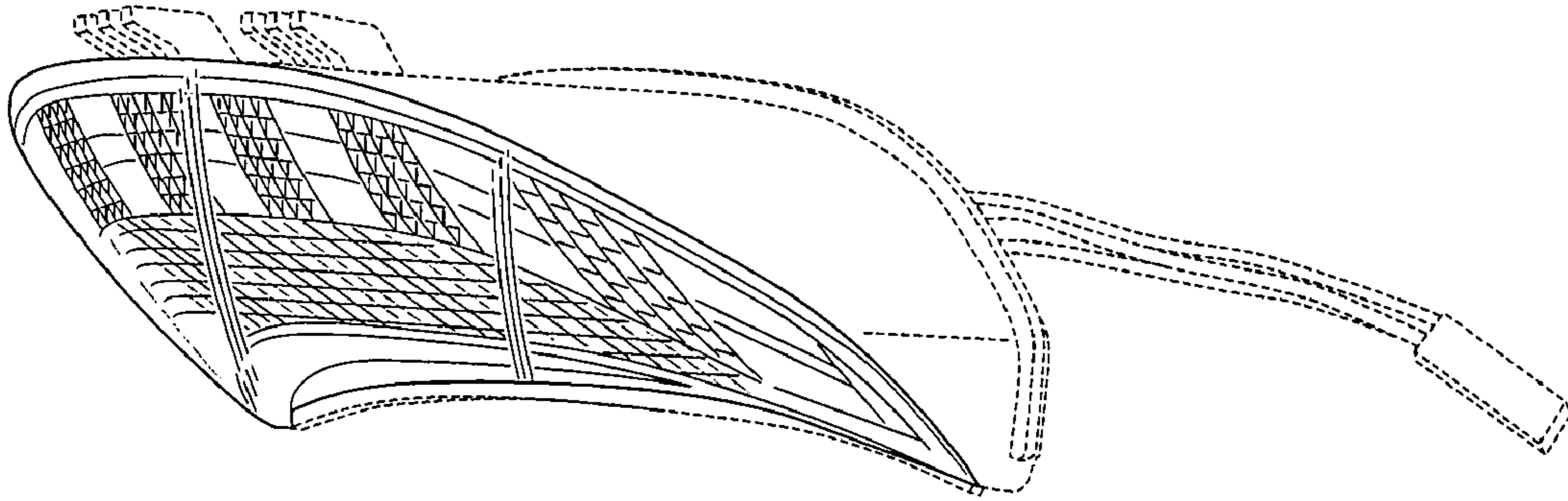
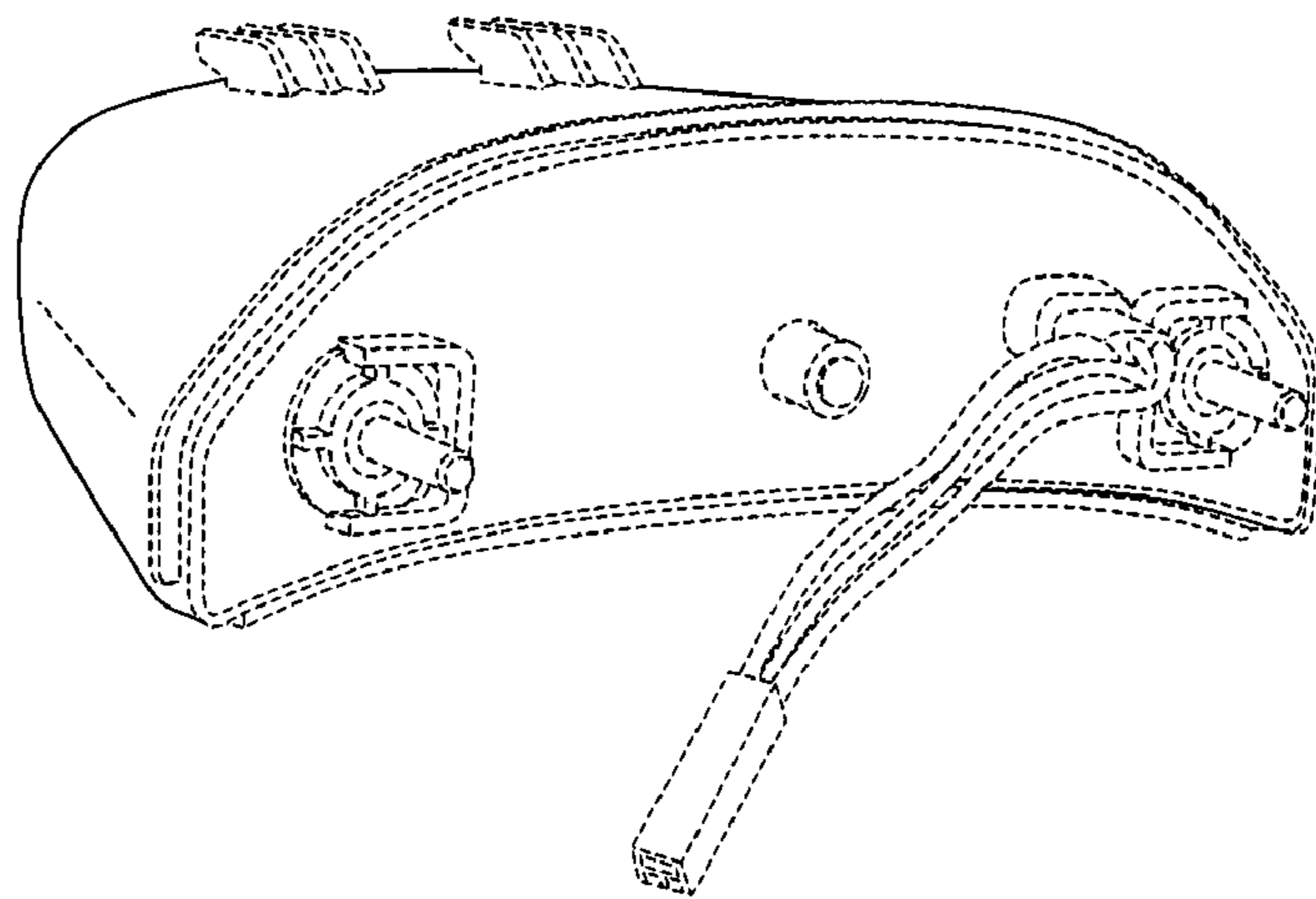


FIG.8



UNITED STATES PATENT AND TRADEMARK OFFICE  
**CERTIFICATE OF CORRECTION**

PATENT NO. : Des. 569,016 S  
APPLICATION NO. : 29/176587  
DATED : May 13, 2008  
INVENTOR(S) : Hiroaki Tsukui et al.

Page 1 of 1

It is certified that error appears in the above-identified patent and that said Letters Patent is hereby corrected as shown below:

Title Page -

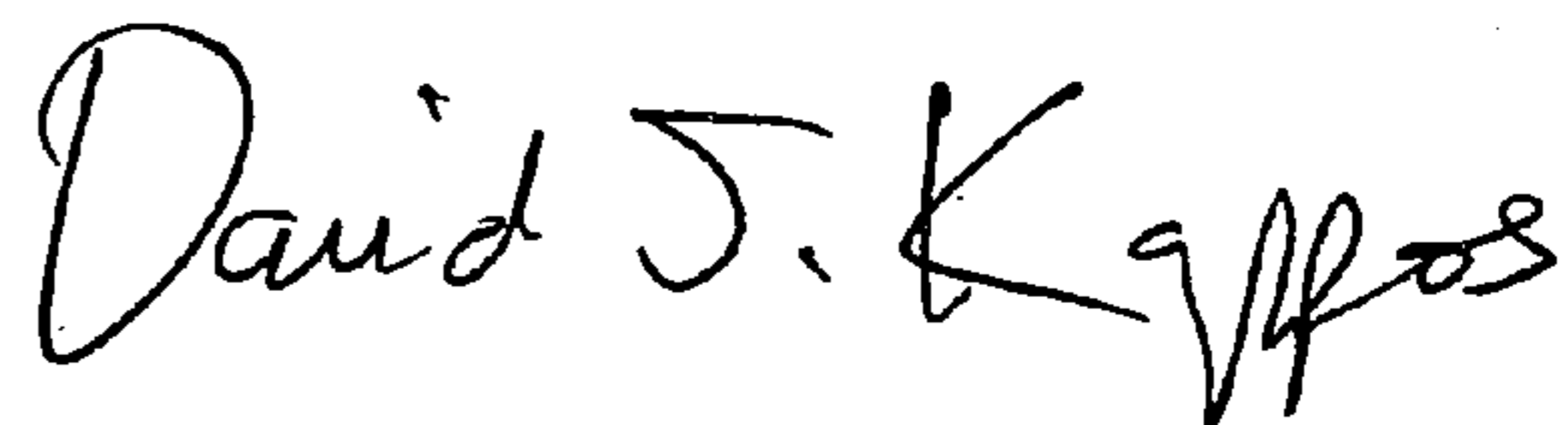
Insert the following:

-- (30) **Foreign Application Priority Data**

August 29, 2002 (JP) ..... 2002-023278 --.

Signed and Sealed this

Twenty-fourth Day of August, 2010



David J. Kappos  
*Director of the United States Patent and Trademark Office*