



US00D569013S

(12) **United States Design Patent**
Shuman et al.

(10) **Patent No.:** **US D569,013 S**

(45) **Date of Patent:** **** May 13, 2008**

(54) **PANEL**

(75) Inventors: **Marc Shuman**, Bellmore, NY (US);
John Maxworthy, Merrick, NY (US)

(73) Assignee: **Garage Tek, Inc.**, Syosset, NY (US)

(**) Term: **14 Years**

(21) Appl. No.: **29/286,594**

(22) Filed: **May 11, 2007**

(51) **LOC (8) Cl.** **25-01**

(52) **U.S. Cl.** **D25/138**

(58) **Field of Classification Search** D25/138,
D25/141, 136, 139, 119, 68, 69, 124-125,
D25/152-156; 52/592.1, 539, 90, 95, 94,
52/536, 537, 558, 783.11, 310, 762, 302.1;
428/116

See application file for complete search history.

(56) **References Cited**

U.S. PATENT DOCUMENTS

D341,217 S * 11/1993 Wolf D25/138
6,941,707 B2 * 9/2005 Sigmund 52/95

D530,833 S * 10/2006 Robertson et al. D25/141
D534,663 S * 1/2007 Male D25/139
7,240,461 B1 * 7/2007 Vandeman et al. 52/539
D553,263 S * 10/2007 Kim D25/155
D555,813 S * 11/2007 Herdal D25/138

* cited by examiner

Primary Examiner—Catherine R. Oliver

(74) *Attorney, Agent, or Firm*—Collard & Roe, P.C.

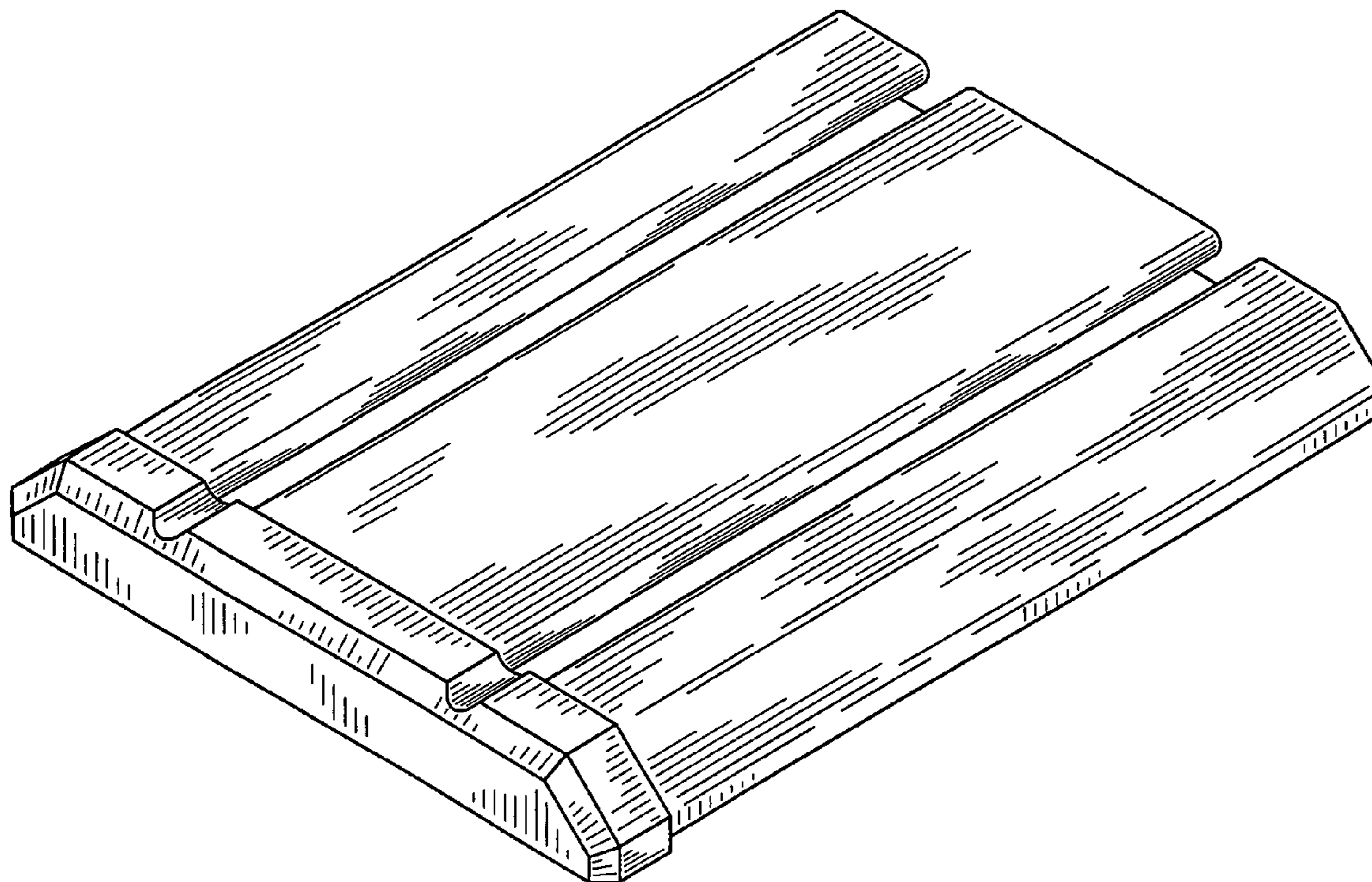
(57) **CLAIM**

The ornamental design for a panel, as shown and described.

DESCRIPTION

FIG. 1 is a side view of the panel showing our new design;
FIG. 2 is an opposite side view thereof;
FIG. 3 is a front view thereof;
FIG. 4 is a rear view thereof;
FIG. 5 is a bottom plan view thereof;
FIG. 6 is a top plan view thereof; and,
FIG. 7 is a front perspective view.

1 Claim, 5 Drawing Sheets



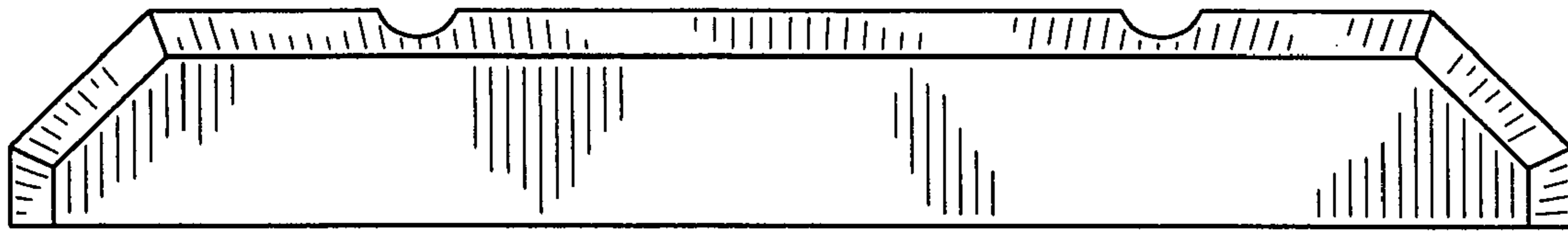


FIG. 1

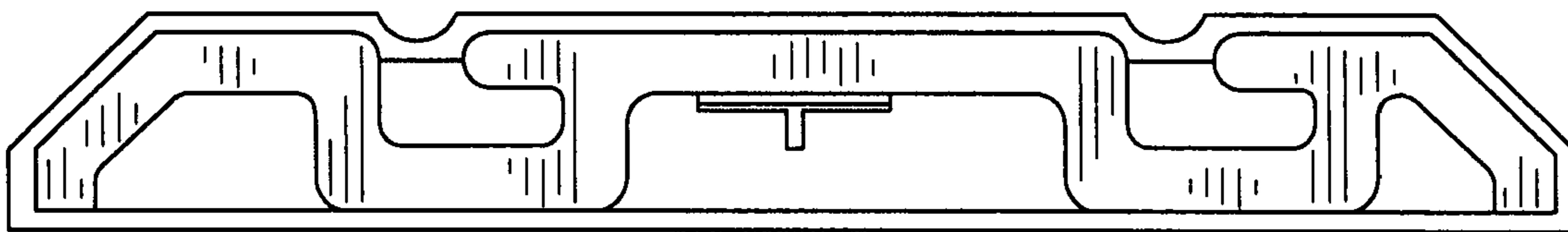


FIG. 2

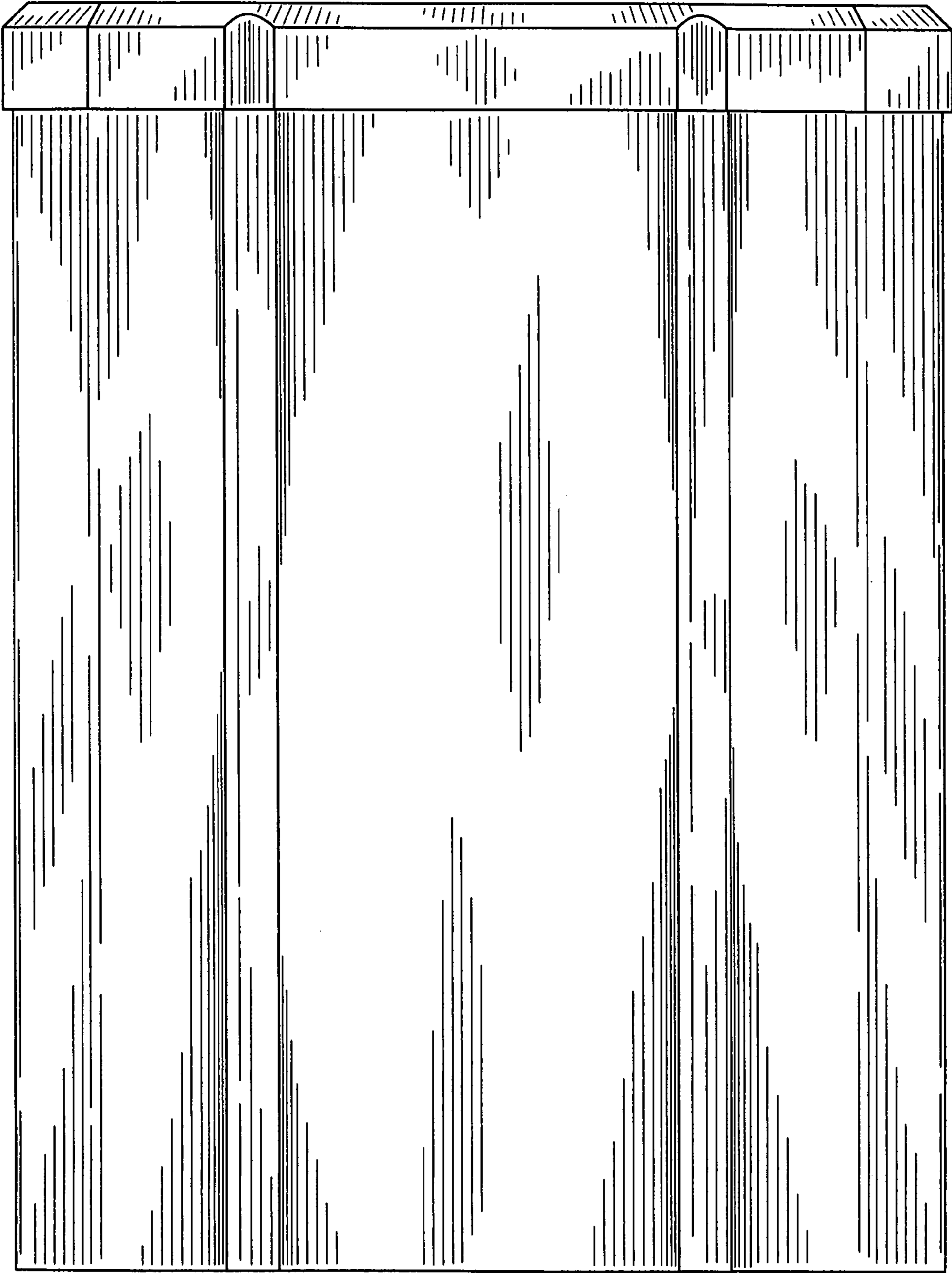


FIG. 3

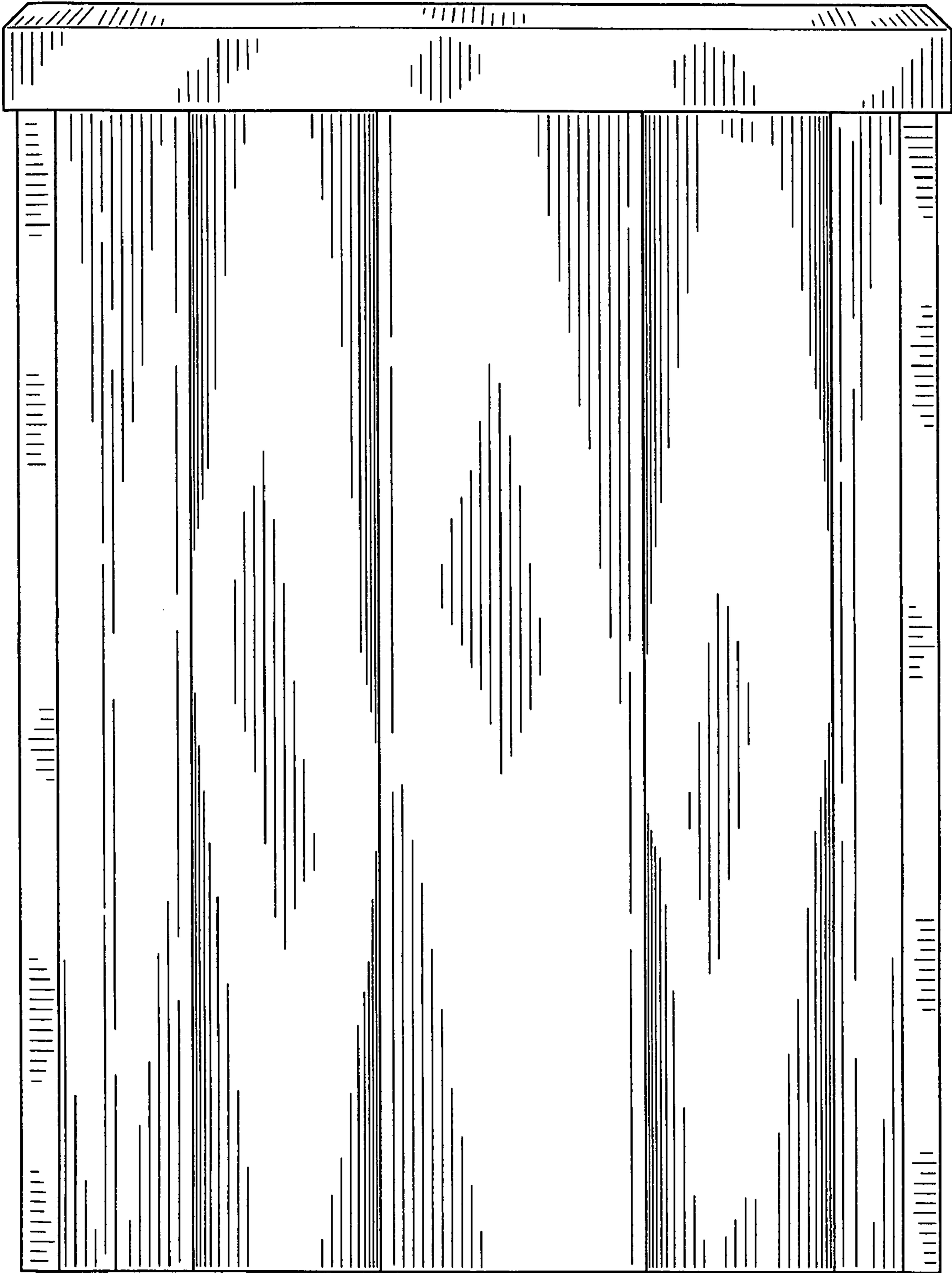


FIG. 4

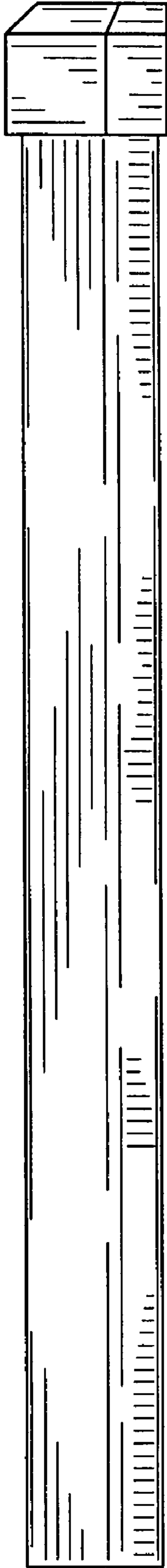


FIG. 5

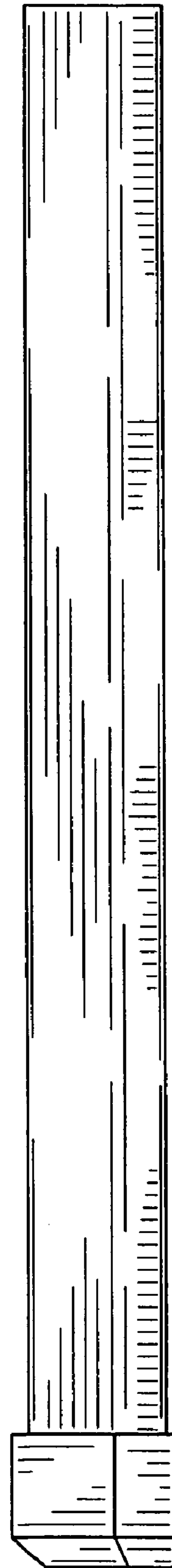


FIG. 6

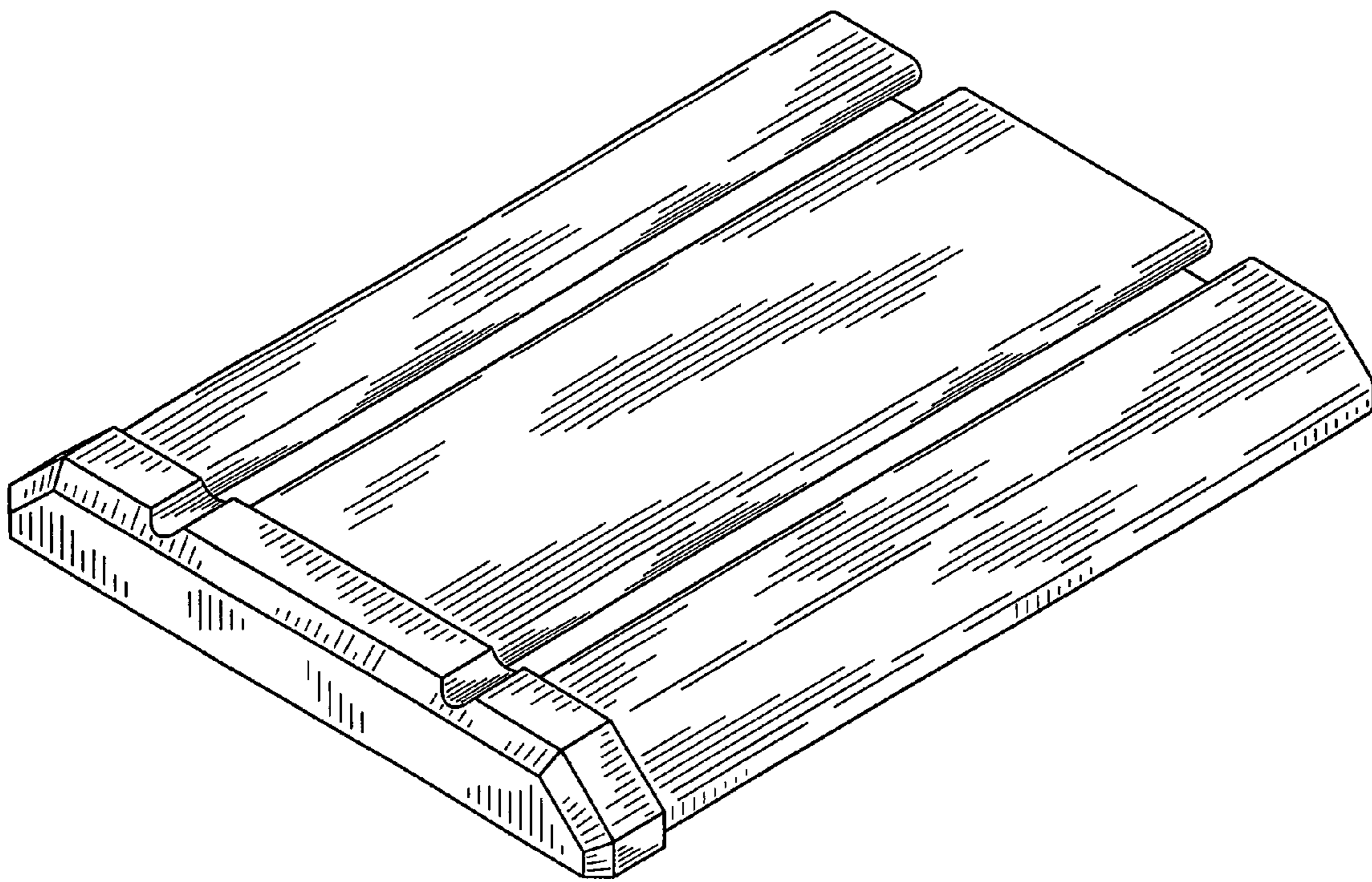


FIG. 7