

US00D569011S

(12) **United States Design Patent**
Brochu

(10) **Patent No.:** **US D569,011 S**

(45) **Date of Patent:** **** May 13, 2008**

(54) **DRIP EDGE FOR A ROOF**

D549,851 S * 8/2007 Antonic D25/119

(76) Inventor: **Guy Brochu**, 3031, rue de Chatelets,
#214, Sainte-Foy, Quebec (CA) G1V
2X6

* cited by examiner

Primary Examiner—Catherine R Oliver
(74) *Attorney, Agent, or Firm*—Eric Fincham

(**) Term: **14 Years**

(57) **CLAIM**

(21) Appl. No.: **29/235,233**

The ornamental design for a drip edge for a roof, as shown and described.

(22) Filed: **Jul. 28, 2005**

(51) **LOC (8) Cl.** **25-01**

(52) **U.S. Cl.** **D25/138**

(58) **Field of Classification Search** D25/138,
D25/102, 136, 126, 164, 119; 52/281, 282.2,
52/282.3, 460-461, 433, 465, 479, 650.1,
52/716.1, 481.1, 220.1

See application file for complete search history.

DESCRIPTION

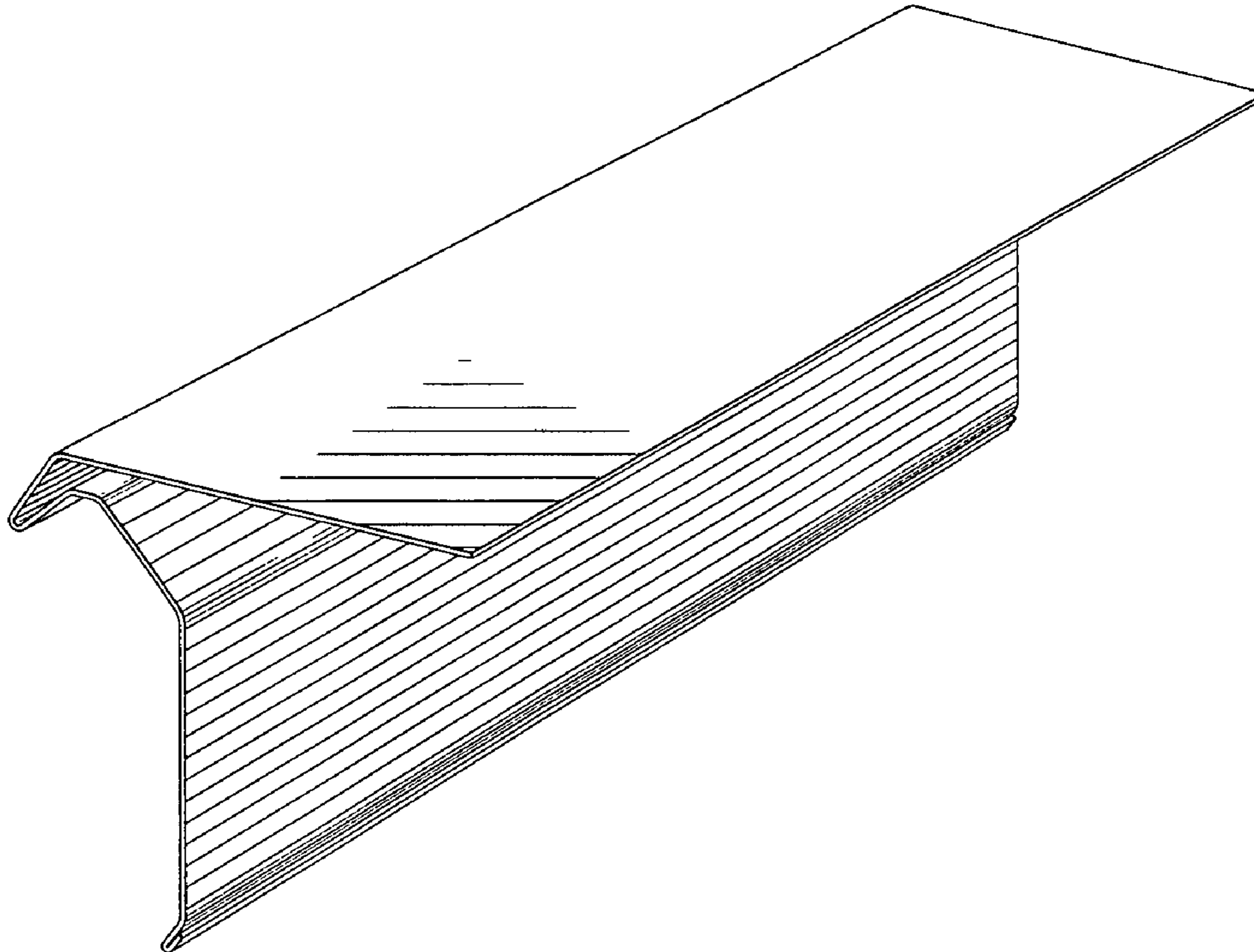
FIG. 1 is a perspective view of the drip edge;
FIG. 2 is a front elevational view thereof;
FIG. 3 is a side elevational view thereof;
FIG. 4 is an rear elevational view thereof;
FIG. 5 is a top plan view thereof; and,
FIG. 6 is a bottom plan view thereof.
FIGS. 2-6 are shown broken away to indicate indeterminate length.

(56) **References Cited**

U.S. PATENT DOCUMENTS

D489,832 S * 5/2004 Koenig et al. D25/136
7,200,970 B2 * 4/2007 Koenig et al. 52/287.1

1 Claim, 2 Drawing Sheets



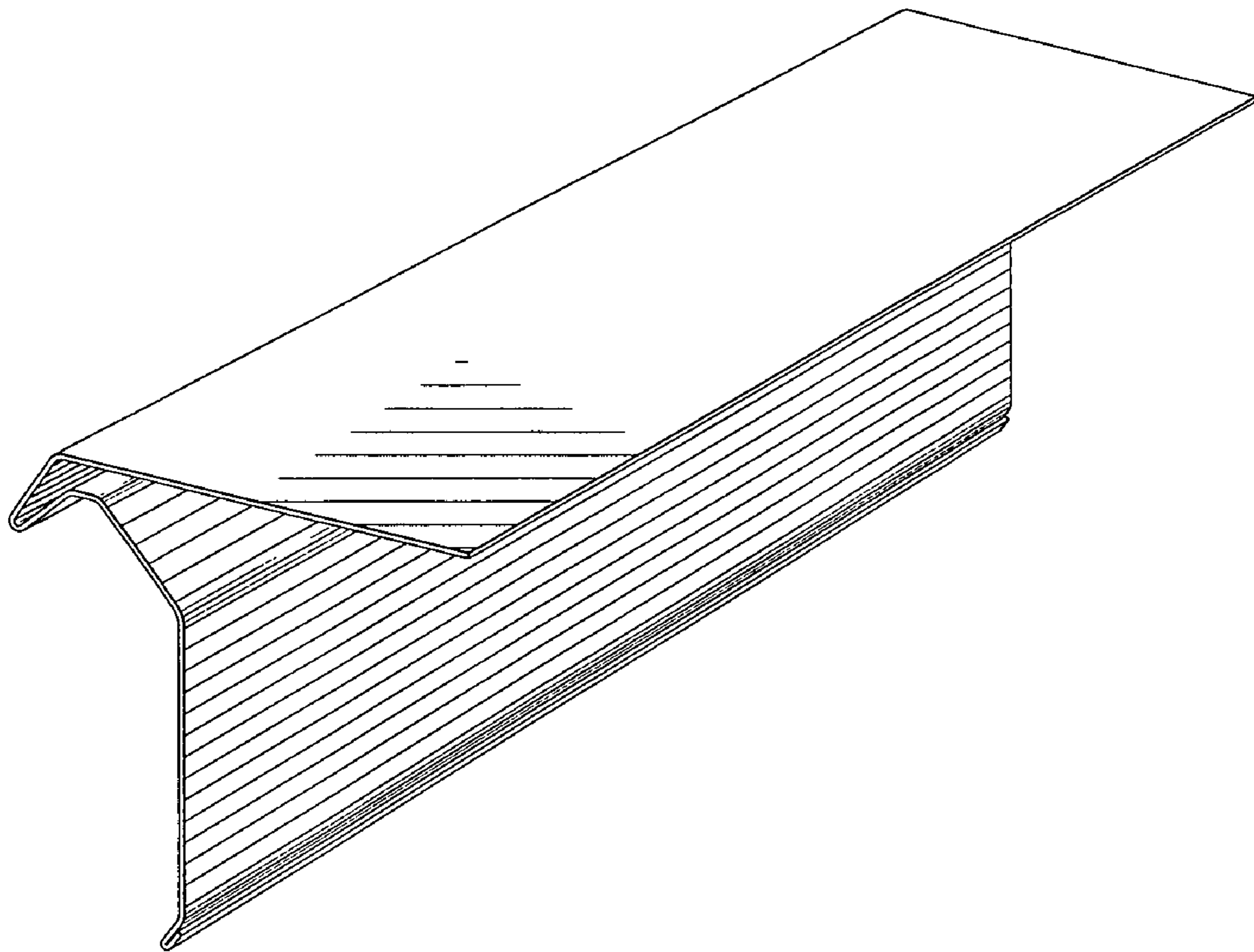


FIG. 1

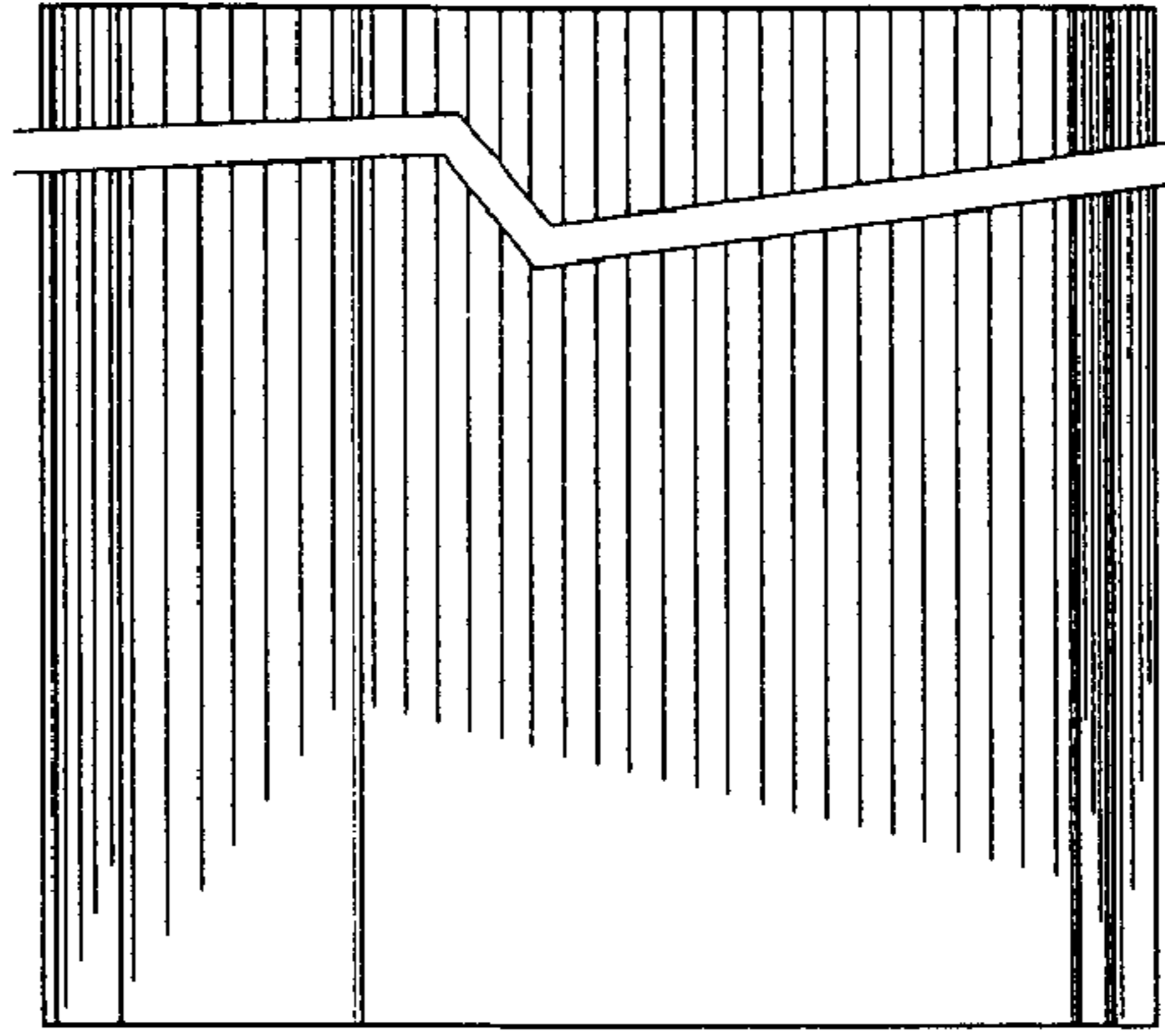


FIG. 2

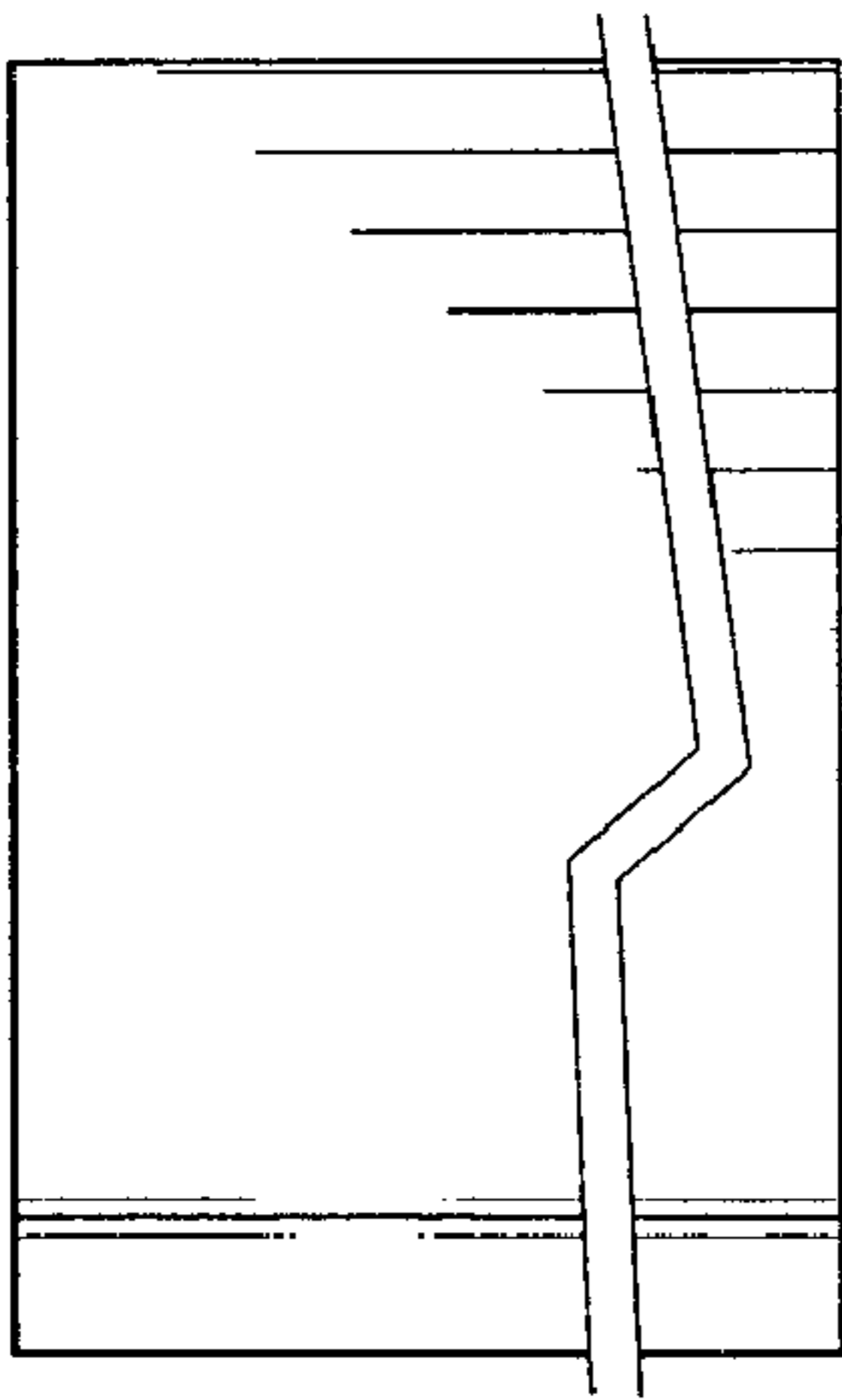


FIG. 3

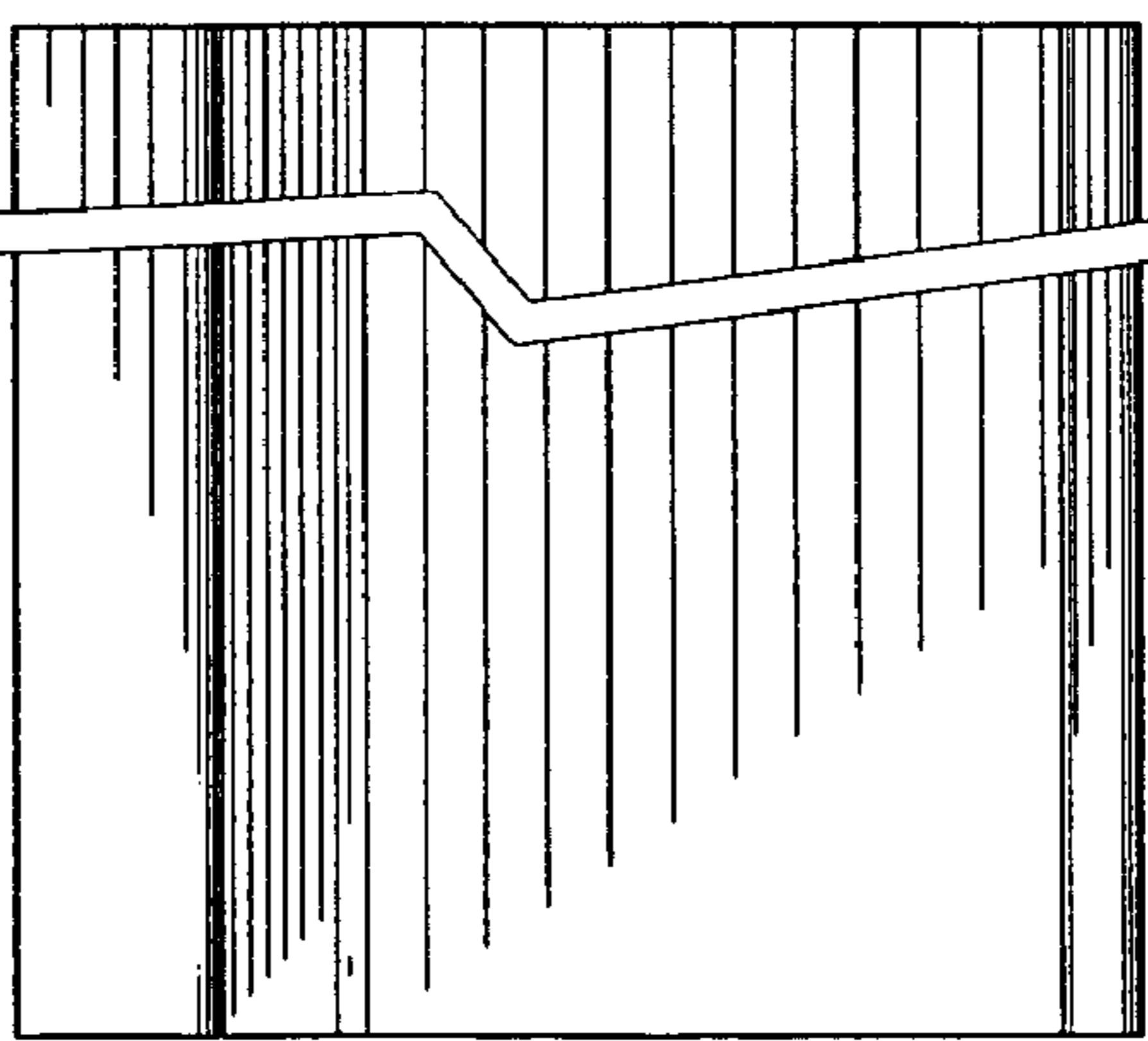


FIG. 4

FIG. 5

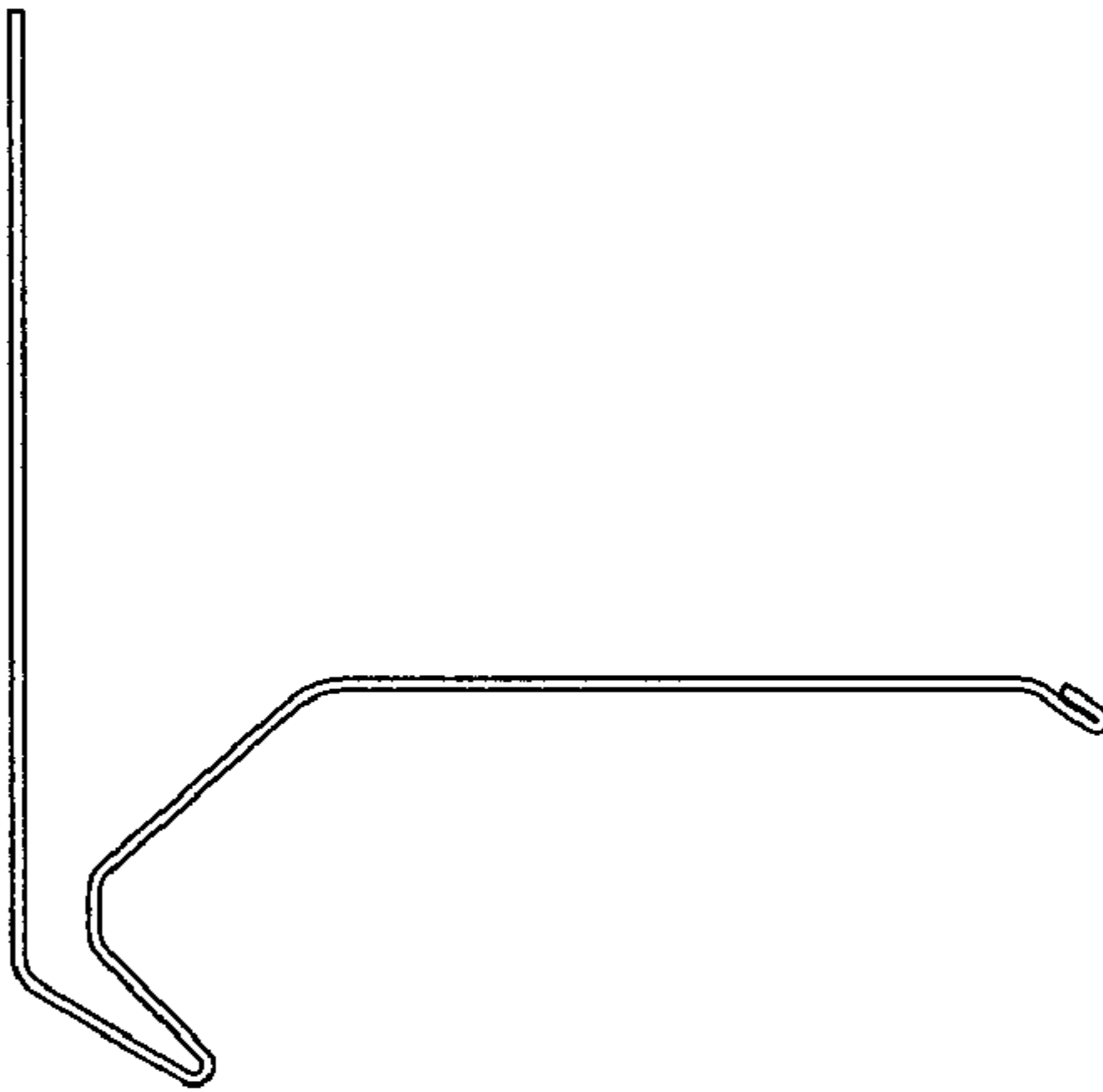


FIG. 6