



US00D569008S

(12) **United States Design Patent**
Lundqvist et al.

(10) **Patent No.:** **US D569,008 S**

(45) **Date of Patent:** **** May 13, 2008**

(54) **CHROMATOGRAPHY COLUMN**

D551,104 S * 9/2007 Wounder et al. D24/224
D559,396 S * 1/2008 Dave D24/216
D561,907 S * 2/2008 Py et al. D24/224

(75) Inventors: **Roger Lundqvist**, Alunda (SE); **Dan Hermansson**, Uppsala (SE); **Stefan D'Argy**, Uppsala (SE); **Klaus Gebauer**, Uppsala (SE); **Sven Wounder**, Uppsala (SE)

* cited by examiner

Primary Examiner—Robert A. Delehanty

Assistant Examiner—Mark Cavanna

(74) *Attorney, Agent, or Firm*—Dwayne L. Bentley

(73) Assignee: **GE Healthcare Bio-Sciences AB**, Uppsala (SE)

(57) **CLAIM**

(**) Term: **14 Years**

The ornamental design for a chromatography column, as shown and described.

(21) Appl. No.: **29/299,164**

(22) Filed: **Dec. 20, 2007**

DESCRIPTION

(51) **LOC (8) Cl.** **24-02**

FIG. 1 is a perspective view of the chromatography column showing our new design.

(52) **U.S. Cl.** **D24/232**

FIG. 2 is a right side view of the chromatography column of FIG. 1

(58) **Field of Classification Search** D24/216,
D24/224, 232; D10/78, 81, 103; D9/435,
D9/445, 452, 454, 503; 96/101, 104; 210/198.2,
210/198.3, 656; 422/858, 99, 102

FIG. 3 is a front view of the chromatography column of FIG. 1.

See application file for complete search history.

FIG. 4 is a left side view of the chromatography column of FIG. 1.

(56) **References Cited**

FIG. 5 is a back view of the chromatography column of FIG. 1.

U.S. PATENT DOCUMENTS

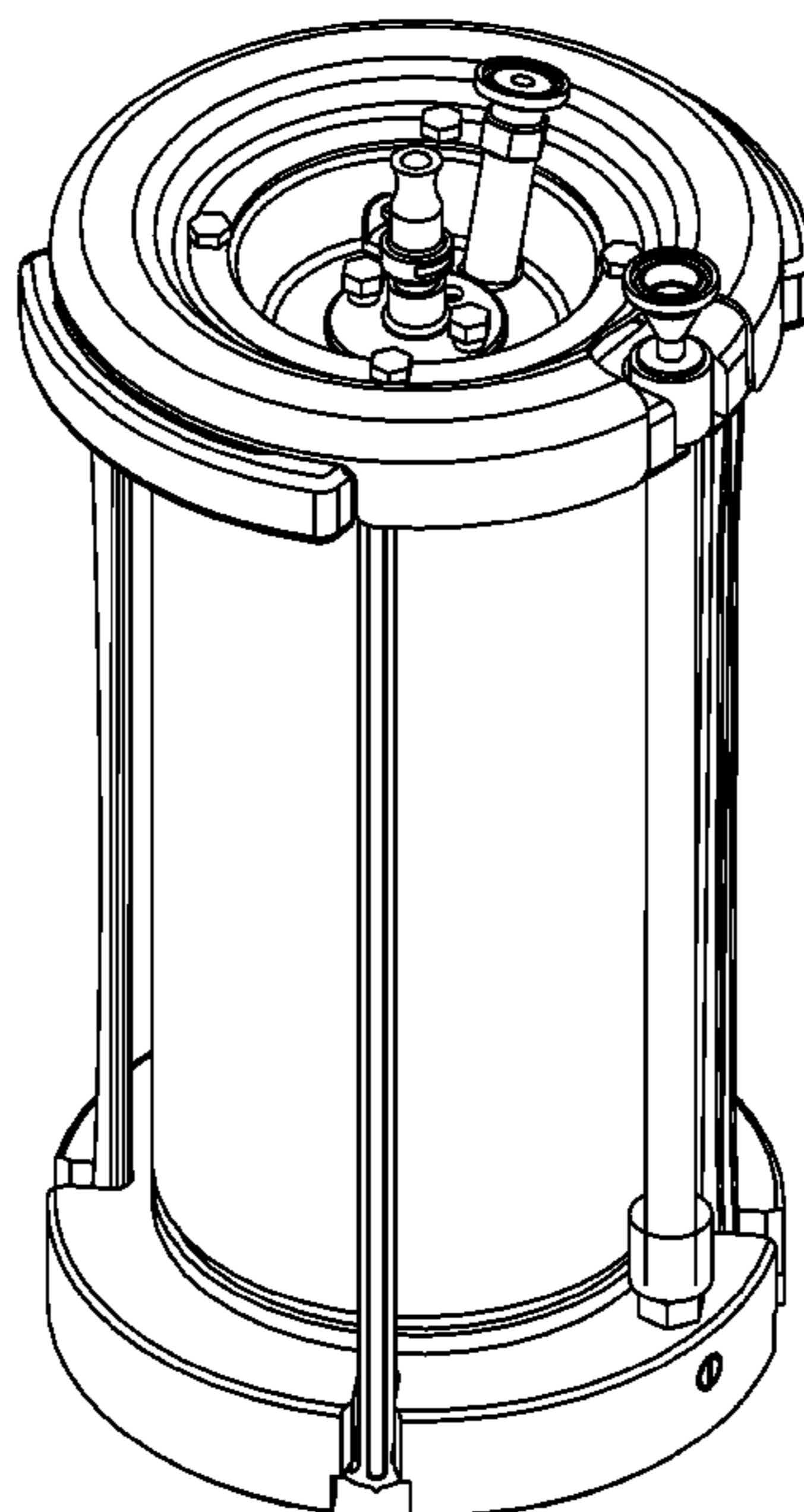
D285,290 S * 8/1986 Shalon et al. D24/232
D320,949 S * 10/1991 Kopf D10/81
D372,102 S * 7/1996 Peacock et al. D24/224
D417,408 S * 12/1999 Rigoli D10/78
D485,365 S * 1/2004 Py et al. D24/224
D500,555 S * 1/2005 Hellstrom D24/224
D500,856 S * 1/2005 Hellstrom D24/224
D505,494 S * 5/2005 Py et al. D24/224
D522,145 S * 5/2006 Best et al. D10/81
D540,169 S * 4/2007 Tanner D9/503

FIG. 6 is a top plan view of the chromatography column of FIG. 1; and,

FIG. 7 is a bottom plan view of the chromatography column of FIG. 1 with the central portion shown in broken lines.

The broken line showing of the inner portion of the bottom of the chromatography column is included for the purpose of illustration and forms no part of the claimed design.

1 Claim, 7 Drawing Sheets



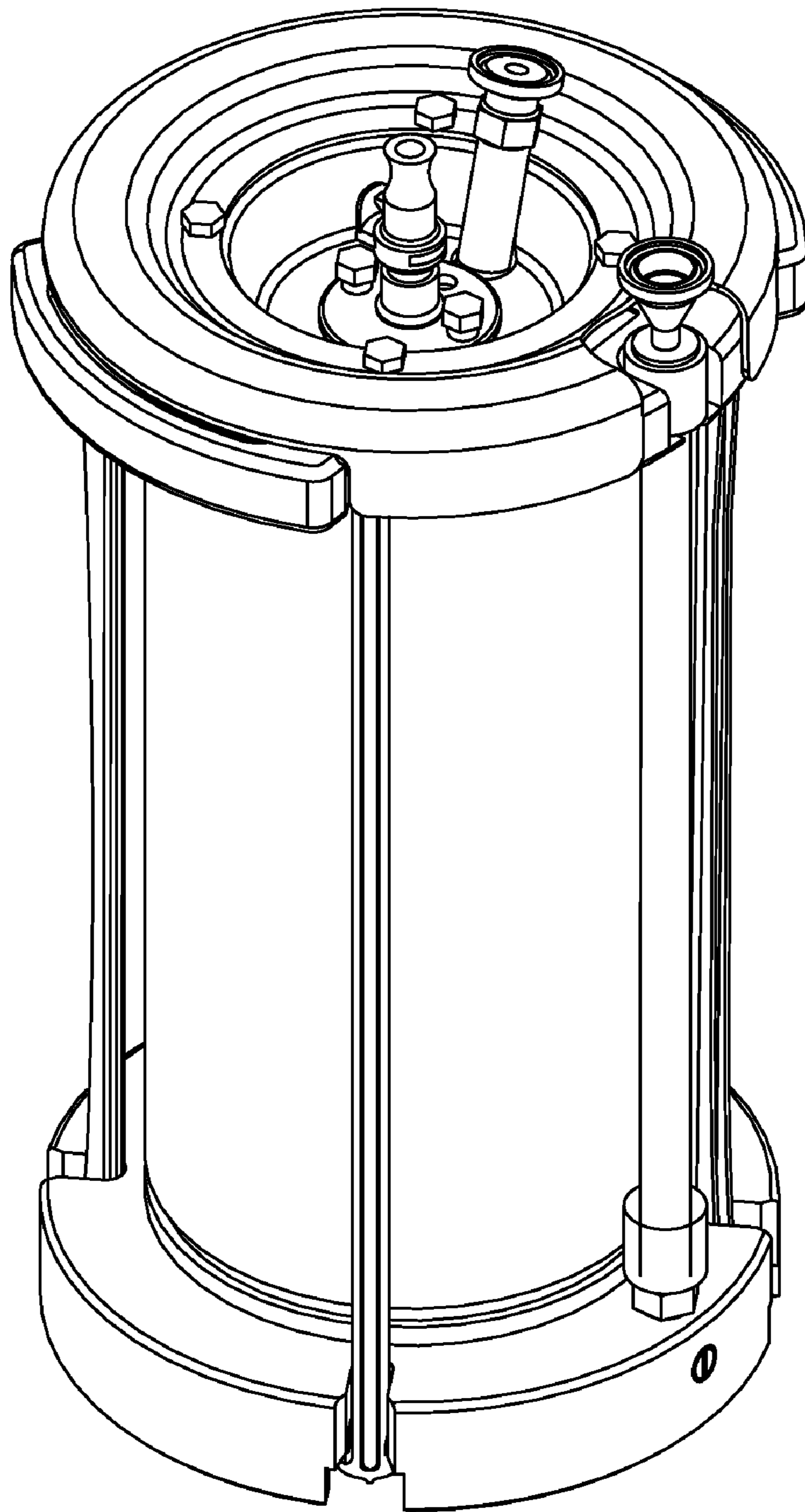


Figure 1

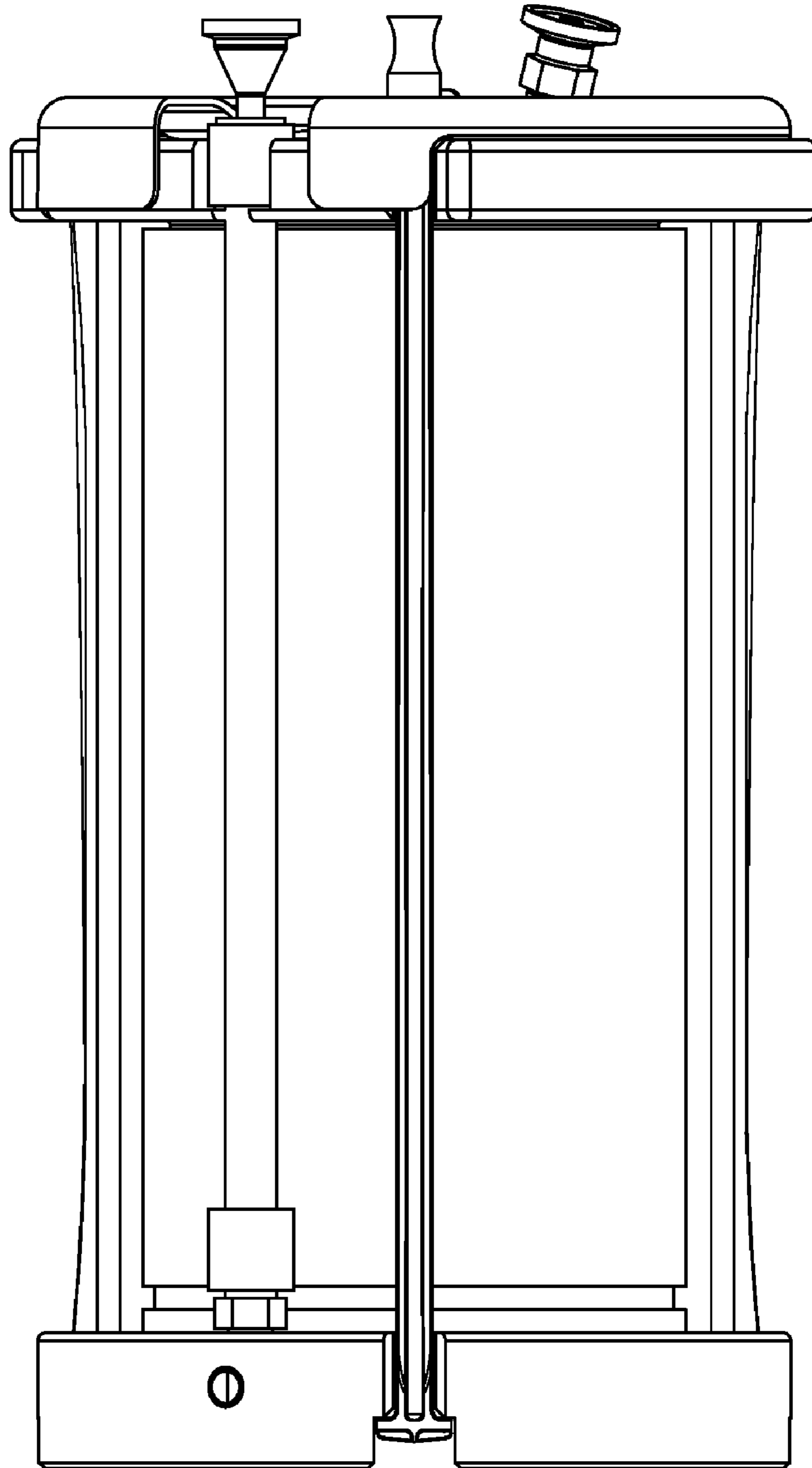


Figure 2

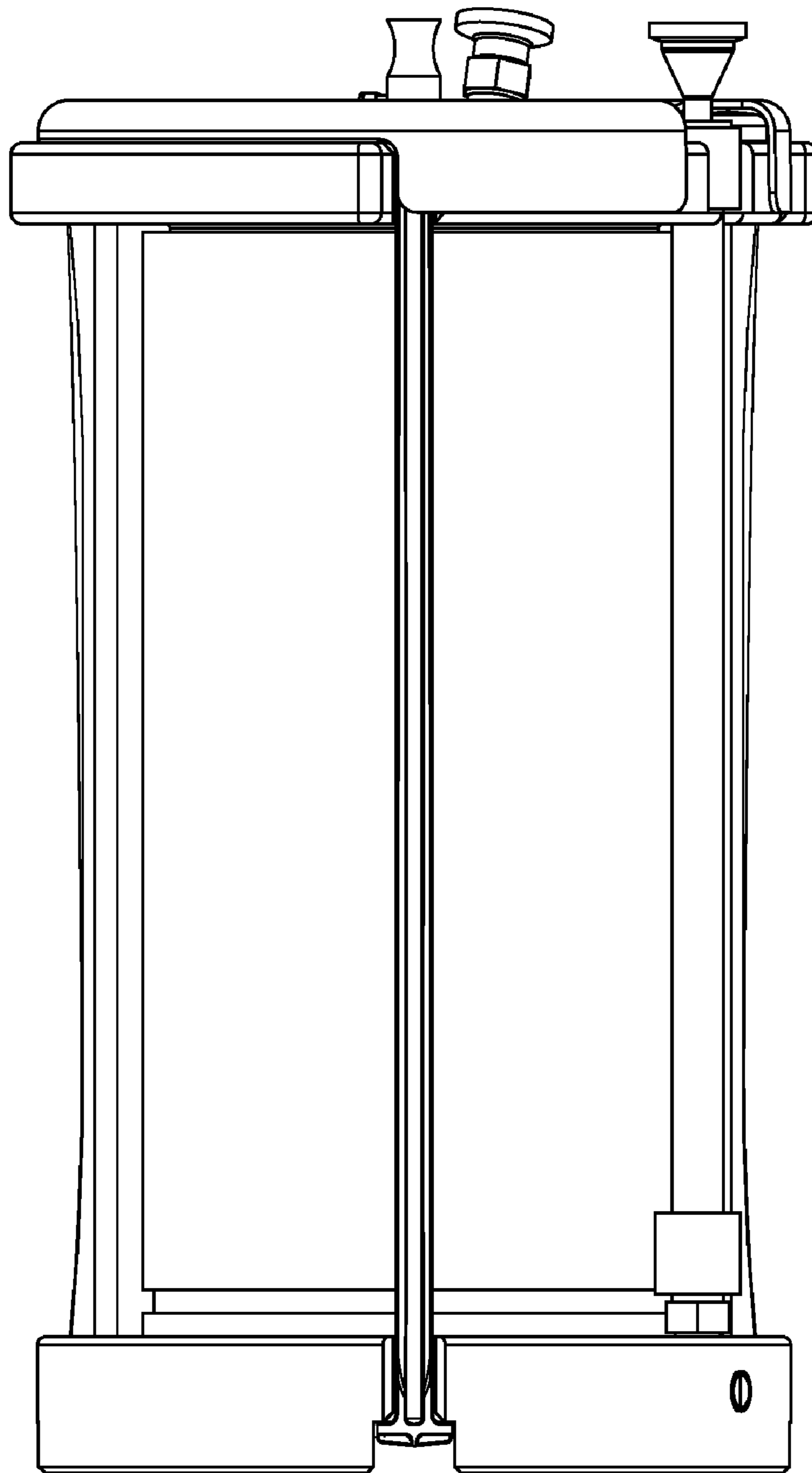


Figure 3

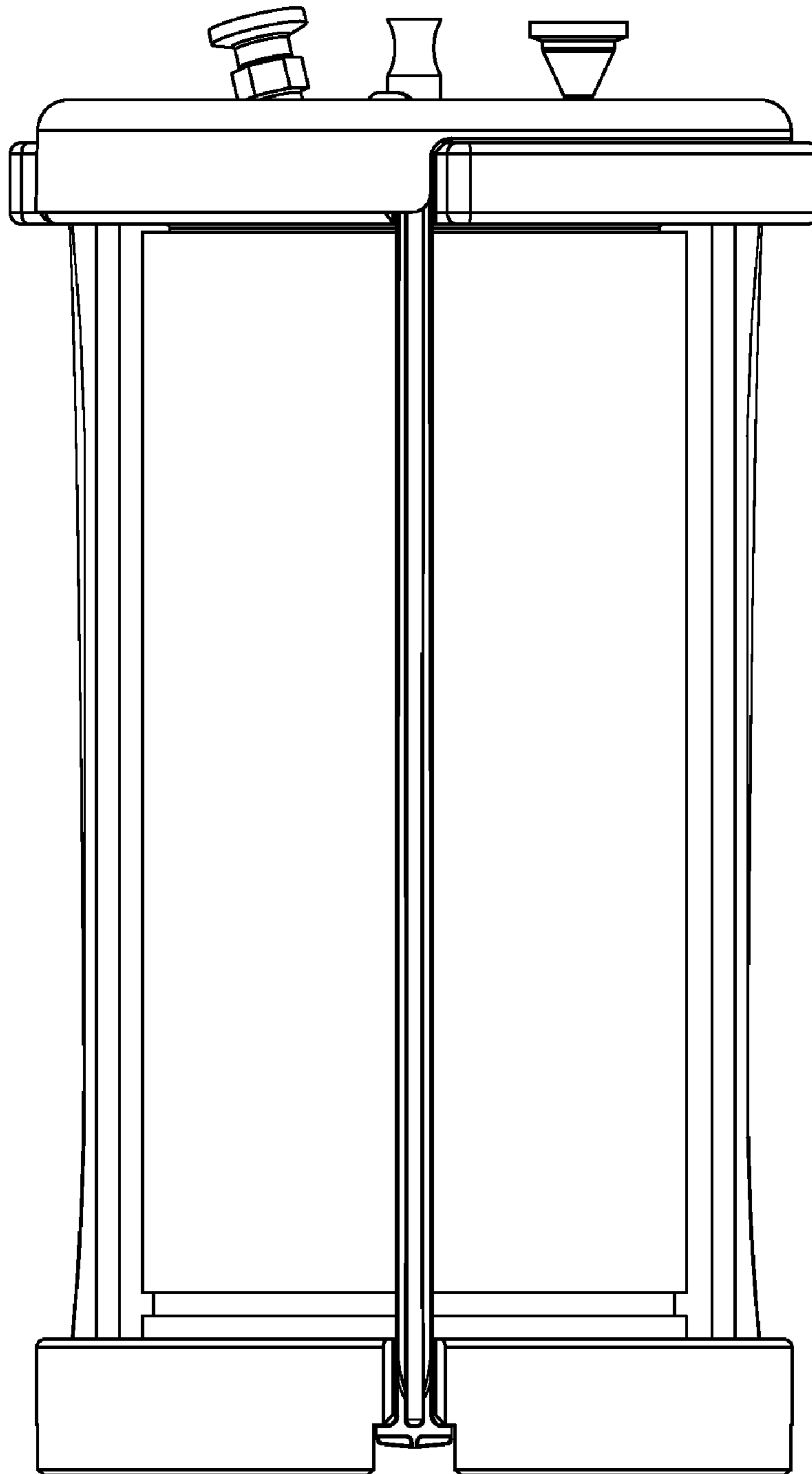


Figure 4

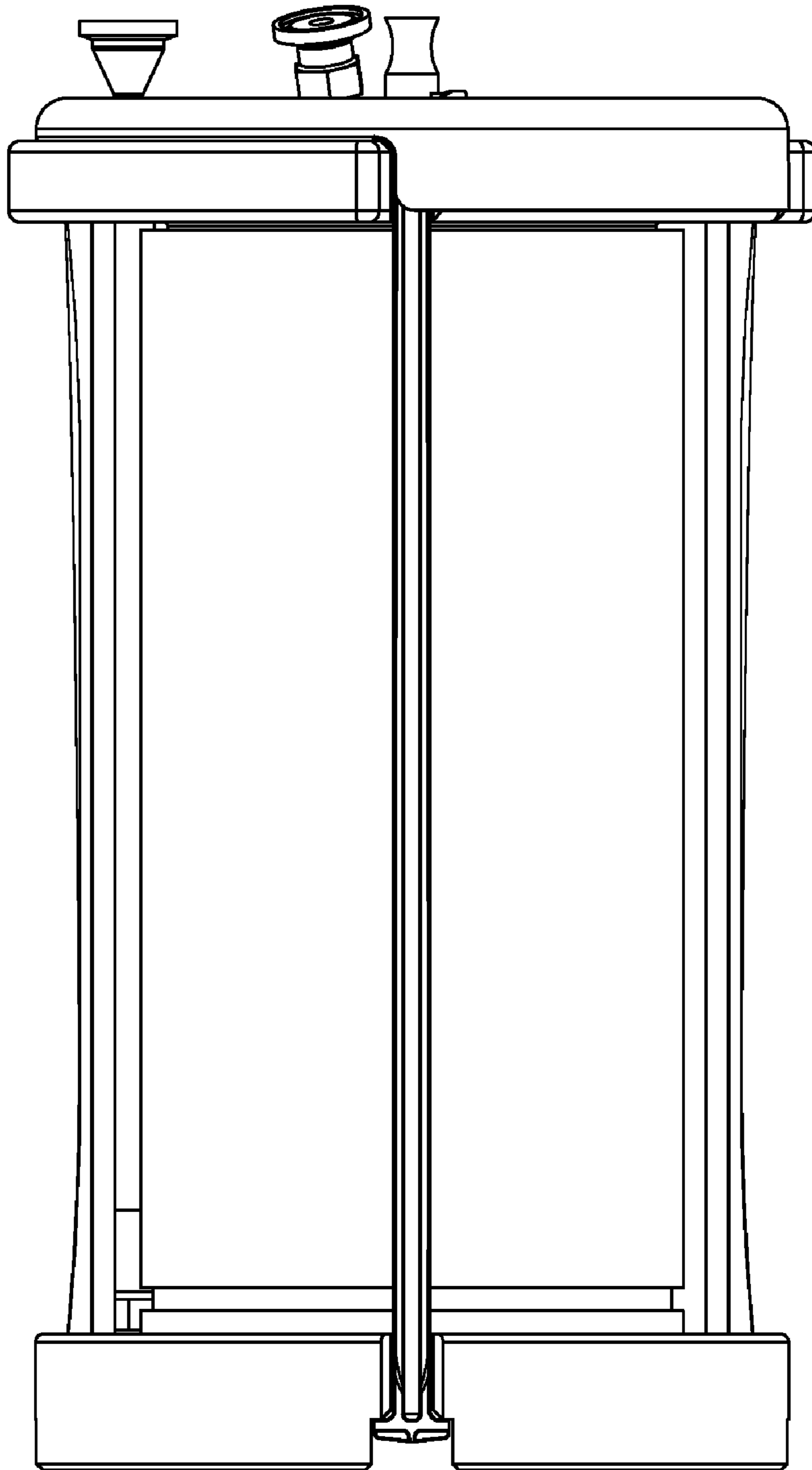


Figure 5

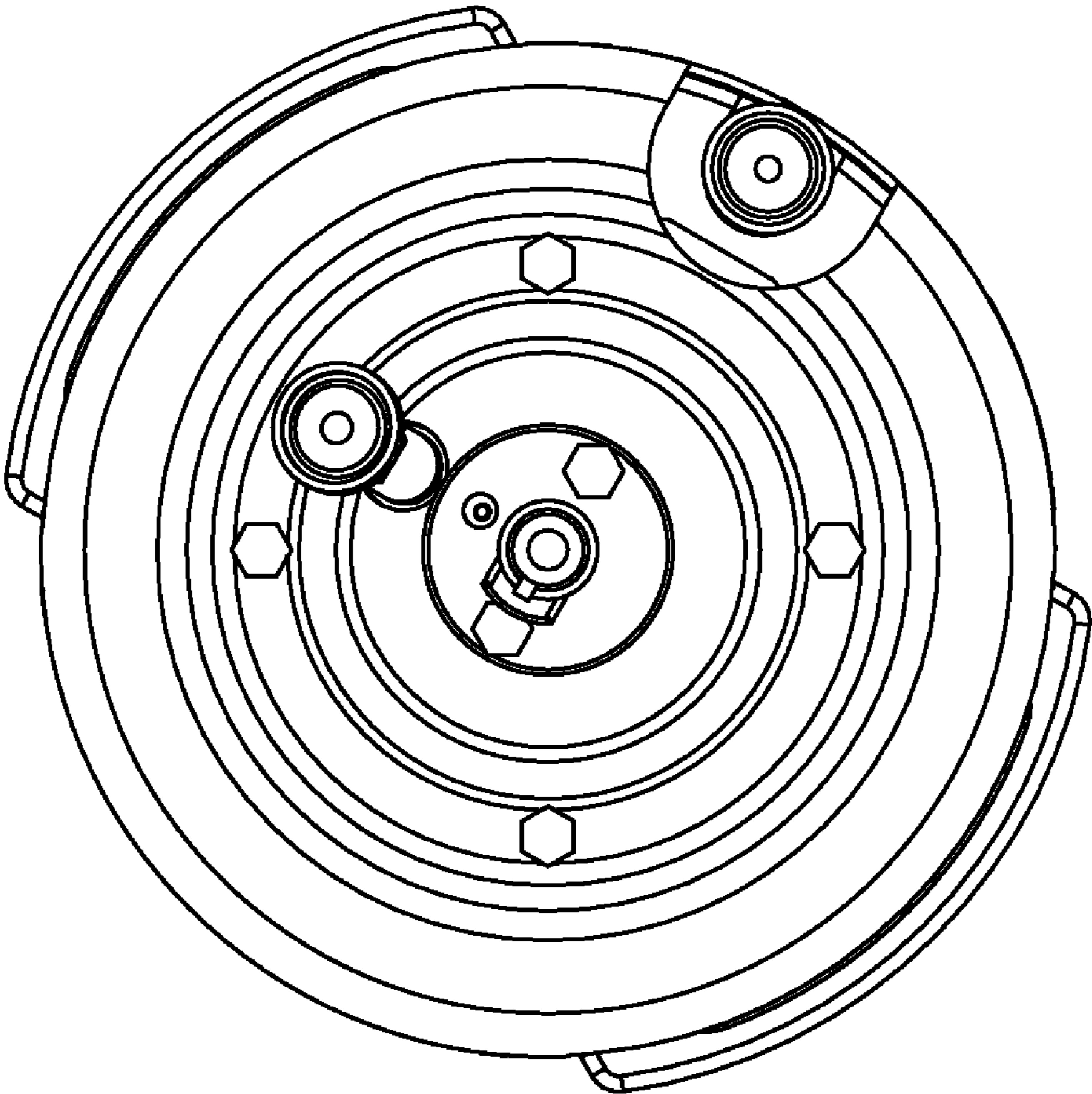


Figure 6

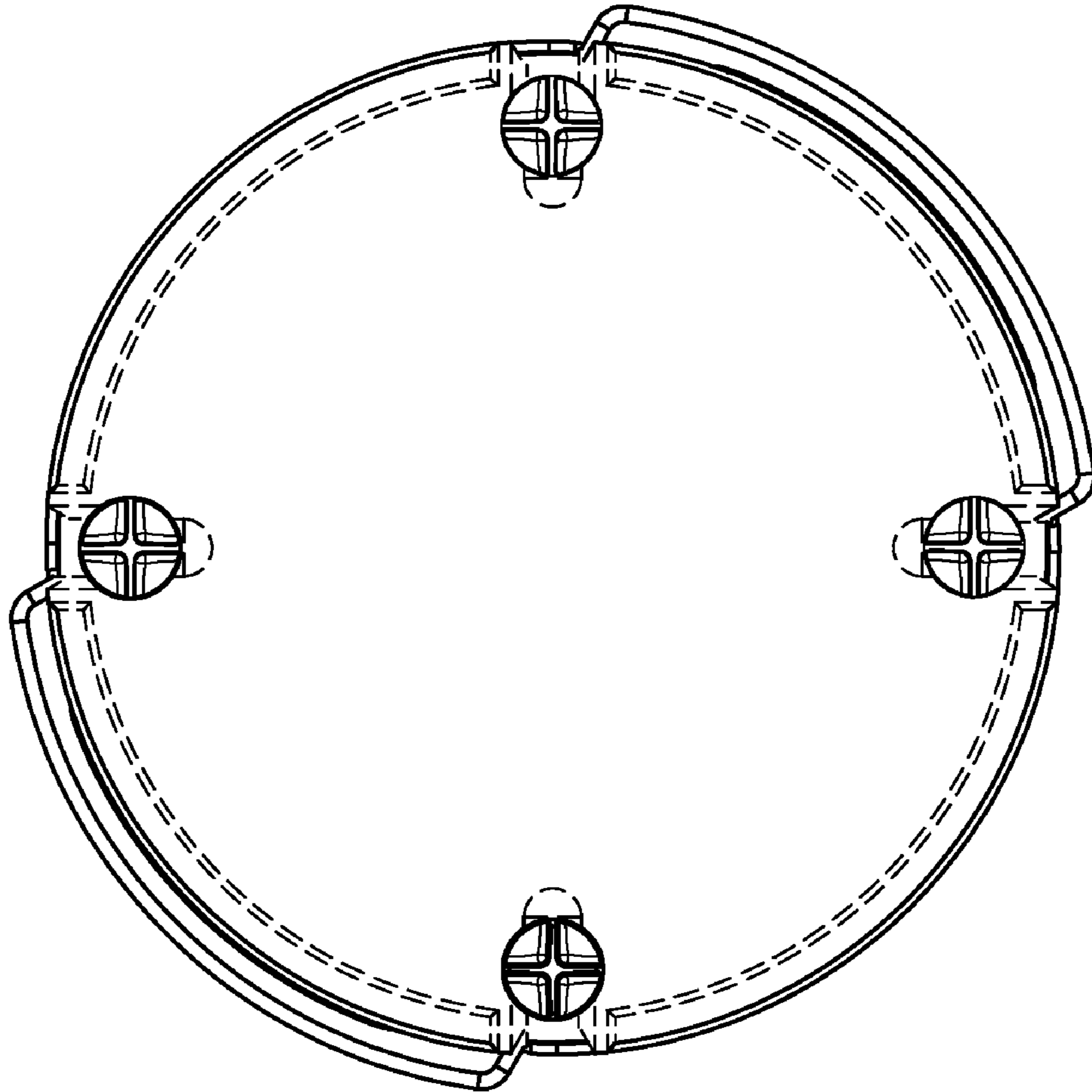


Figure 7