



US00D569006S

(12) **United States Design Patent**
Imboden et al.

(10) **Patent No.:** **US D569,006 S**

(45) **Date of Patent:** **** May 13, 2008**

(54) **VIBRATING MASSAGER BASE**

D449,112 S * 10/2001 Tudico D24/215
D545,444 S * 6/2007 Cianfrani et al. D24/200

(75) Inventors: **Ethan Frederic Imboden**, San Francisco, CA (US); **Roland Jeffrey Wyatt**, Albany, CA (US)

* cited by examiner

Primary Examiner—Ian Simmons
Assistant Examiner—Melanie Levy

(73) Assignee: **Jimmyjane, Inc.**, San Francisco, CA (US)

(74) *Attorney, Agent, or Firm*—Winston & Strawn LLP

(**) Term: **14 Years**

(57) **CLAIM**

(21) Appl. No.: **29/271,063**

The ornamental design for a vibrating massager base, as shown.

(22) Filed: **Jan. 9, 2007**

DESCRIPTION

(51) **LOC (8) Cl.** **28-03**

FIG. 1 is a 3-dimensional perspective view of a vibrating massager base showing our new design;

(52) **U.S. Cl.** **D24/215**

FIG. 2 is a front elevation view thereof;

(58) **Field of Classification Search** D24/200,
D24/215; D13/108; D6/567; 601/15, 73,
601/97; 128/845; 600/38, 39

FIG. 3 is a rear elevation view thereof;

See application file for complete search history.

FIG. 4 is a left side view thereof;

FIG. 5 is a right side view thereof;

(56) **References Cited**

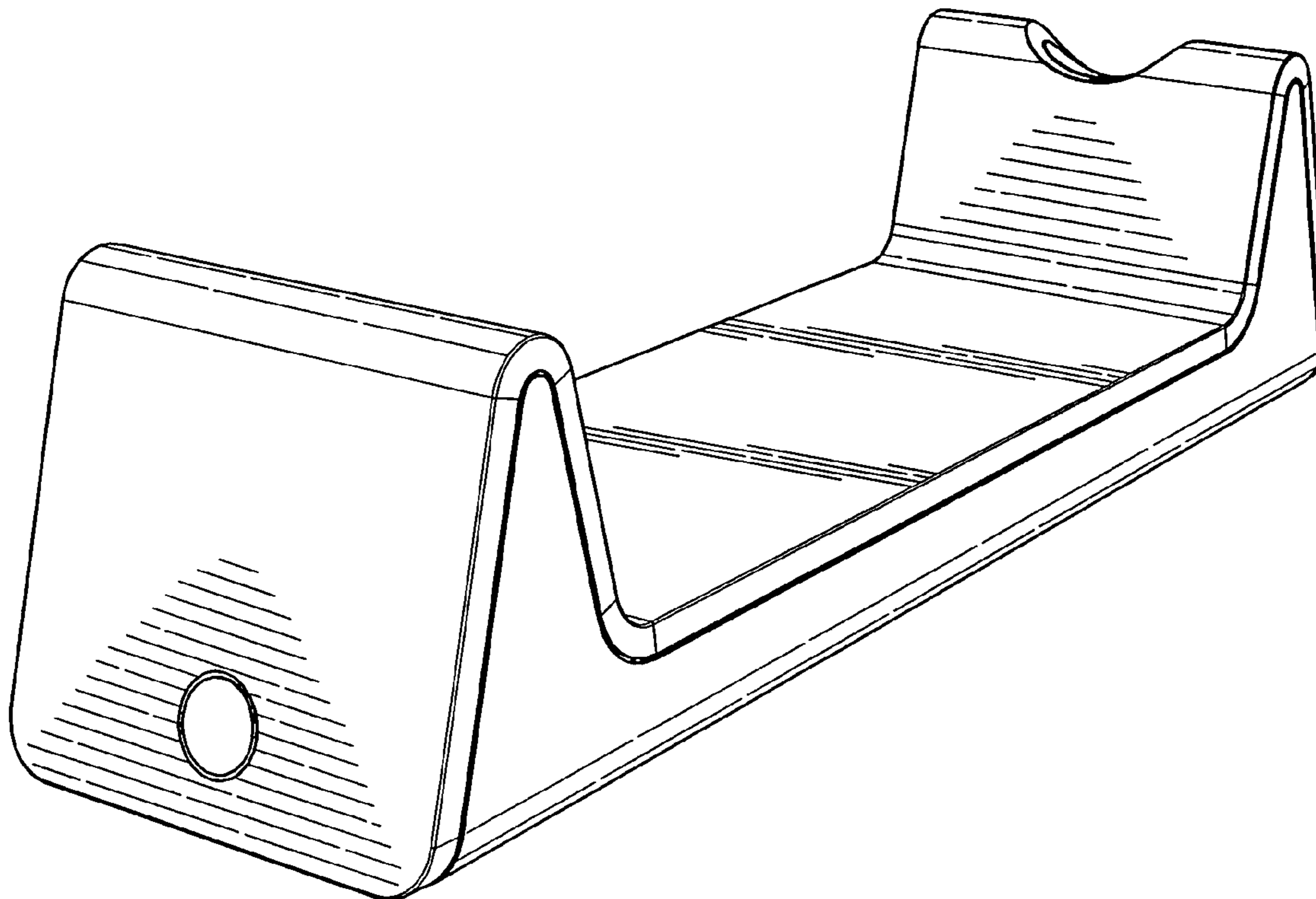
U.S. PATENT DOCUMENTS

5,176,130 A * 1/1993 Kim 601/15
D347,283 S * 5/1994 Von Winckler D24/200

FIG. 6 is a bottom plan view thereof; and,

FIG. 7 is a top plan view thereof.

1 Claim, 4 Drawing Sheets



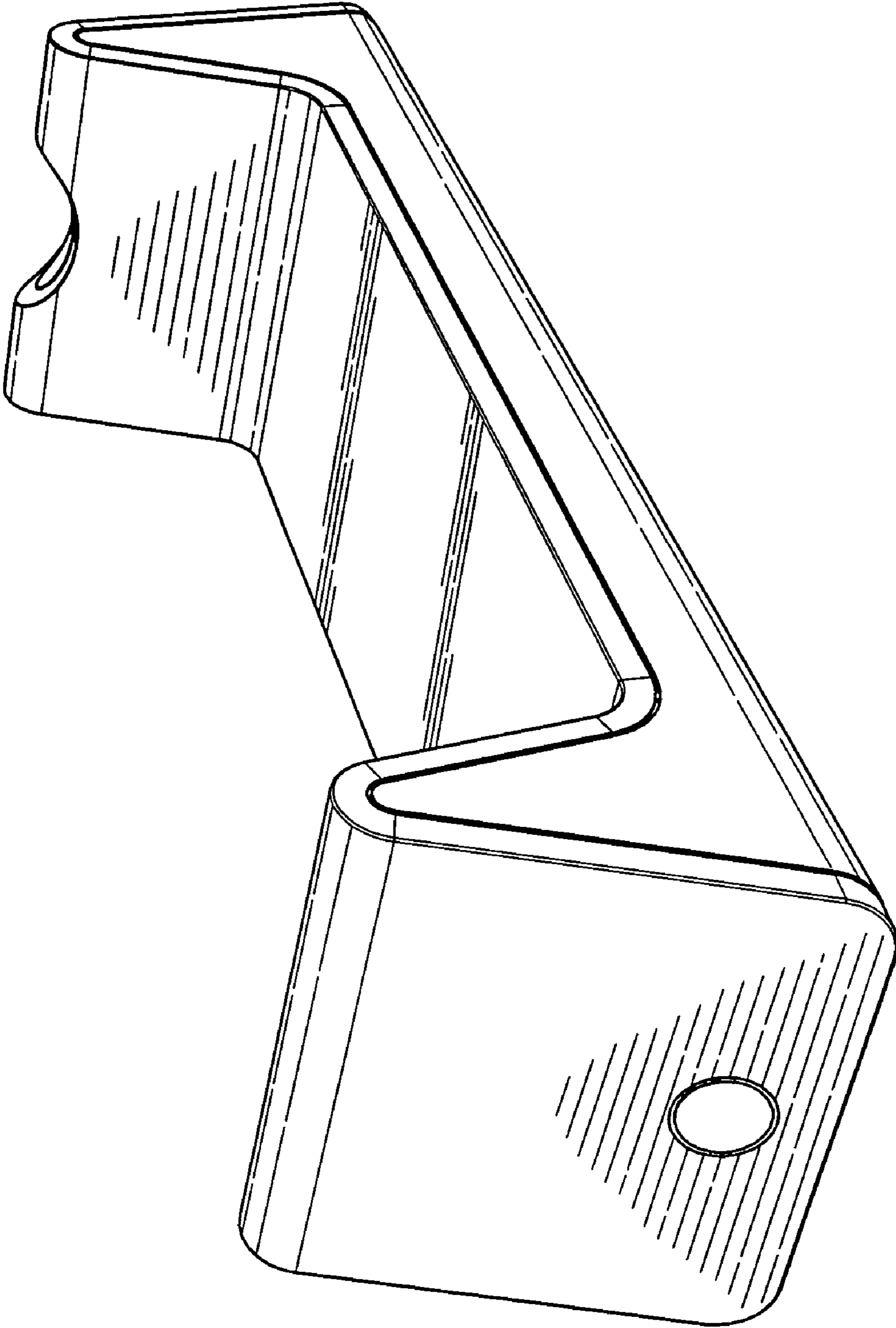


FIG. 1

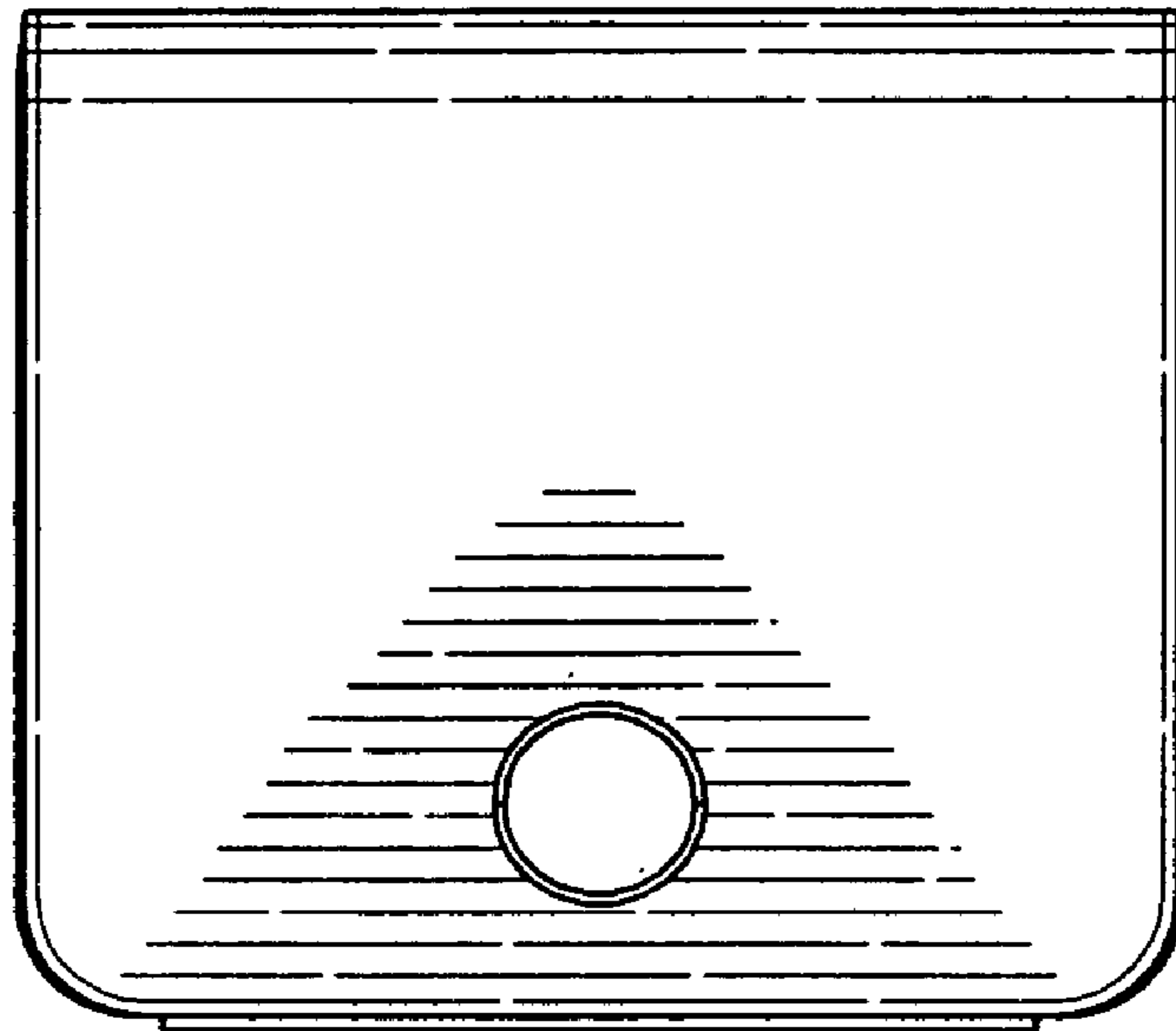


FIG. 2

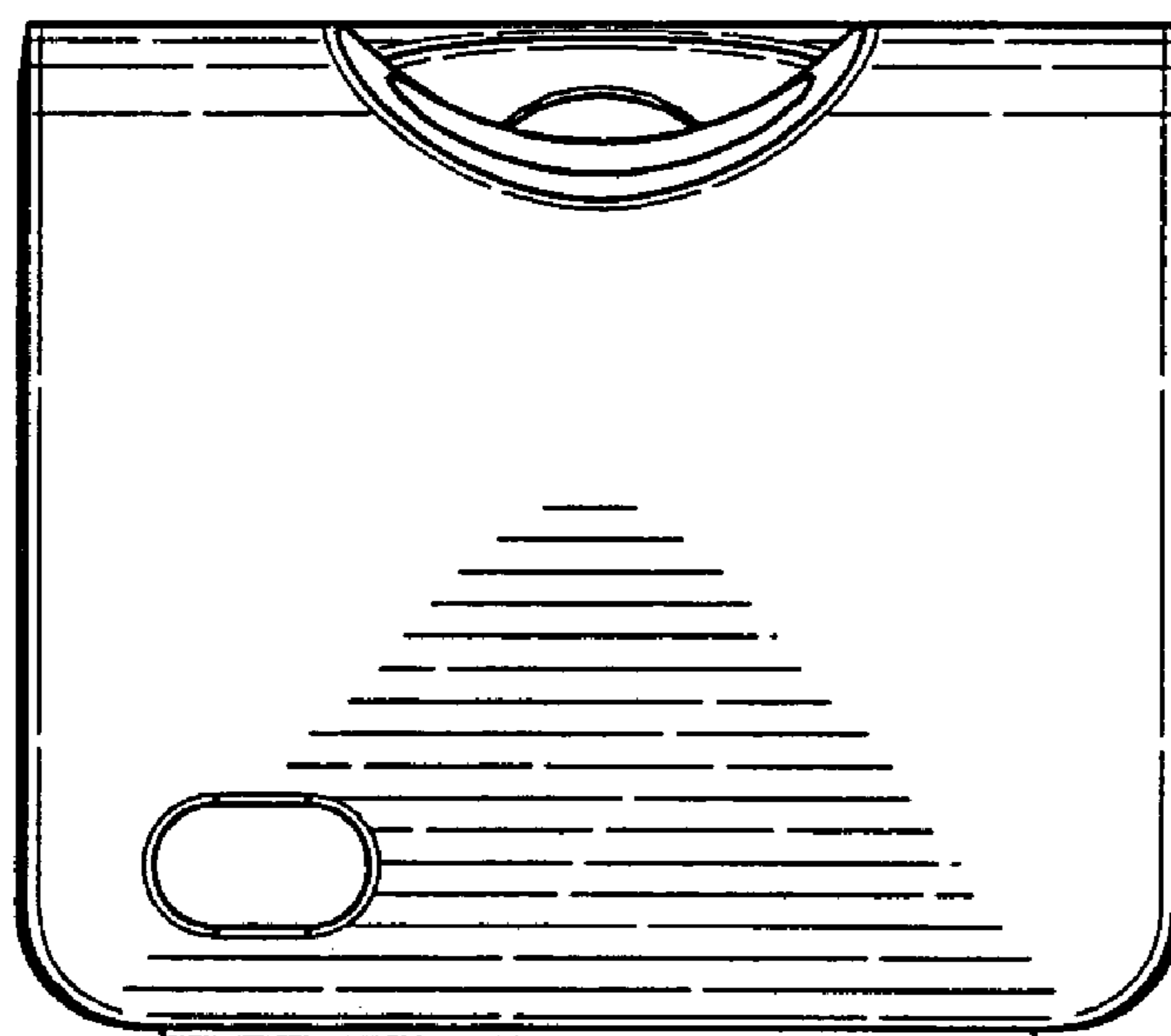


FIG. 3

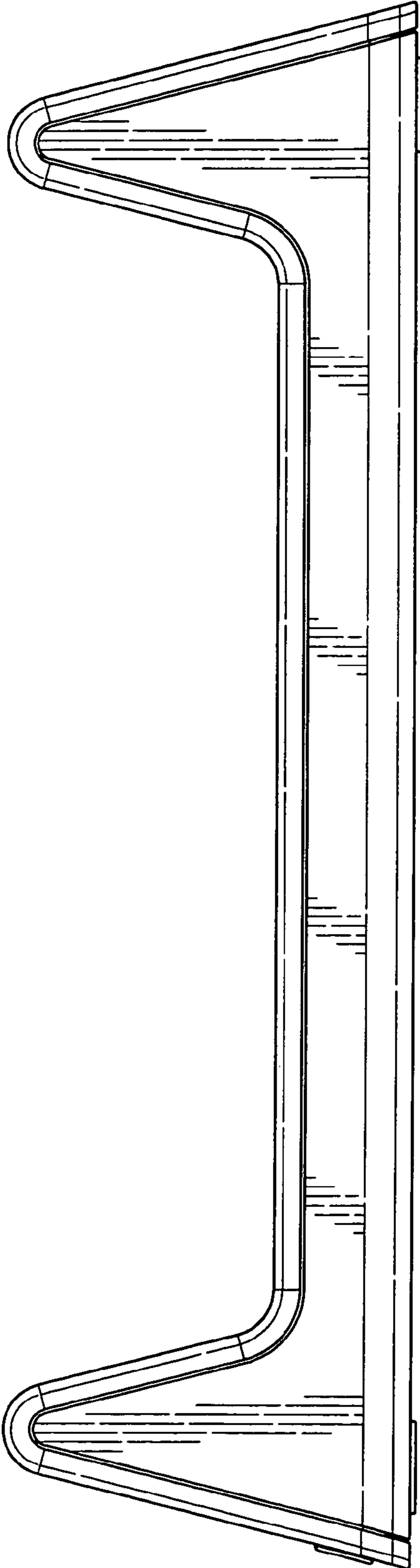


FIG. 4

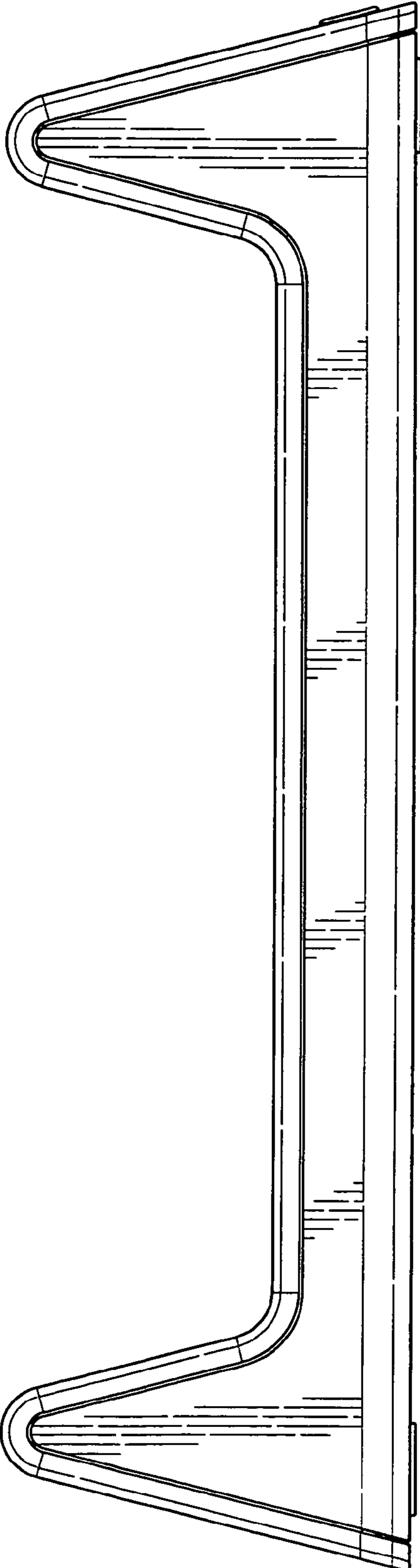


FIG. 5

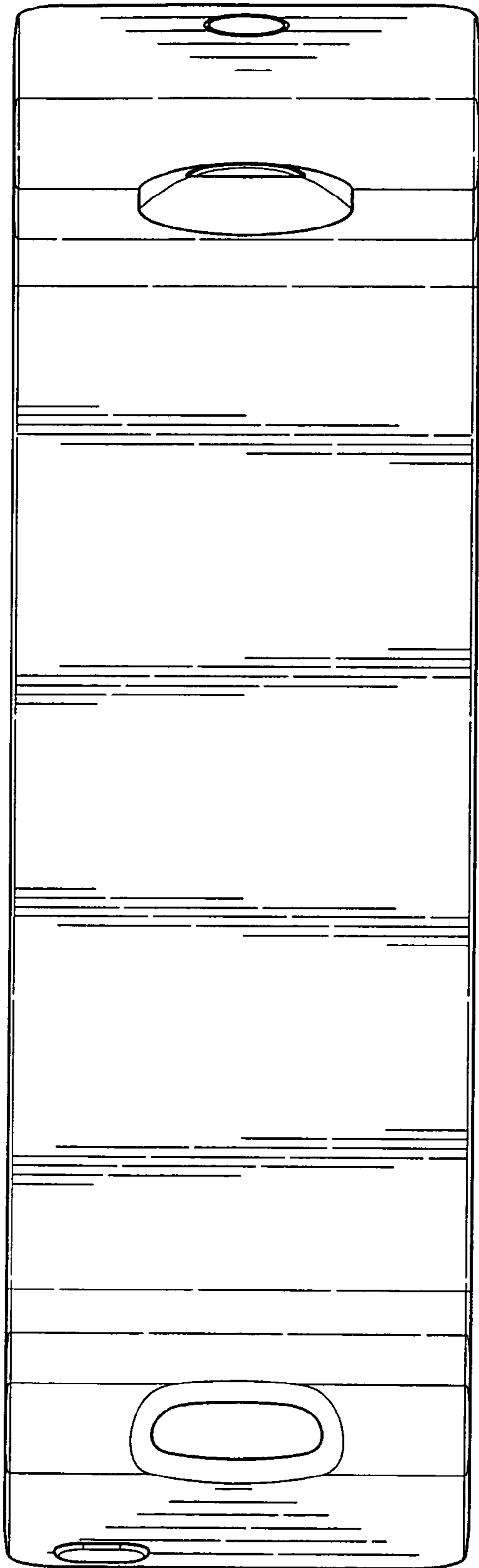


FIG. 6

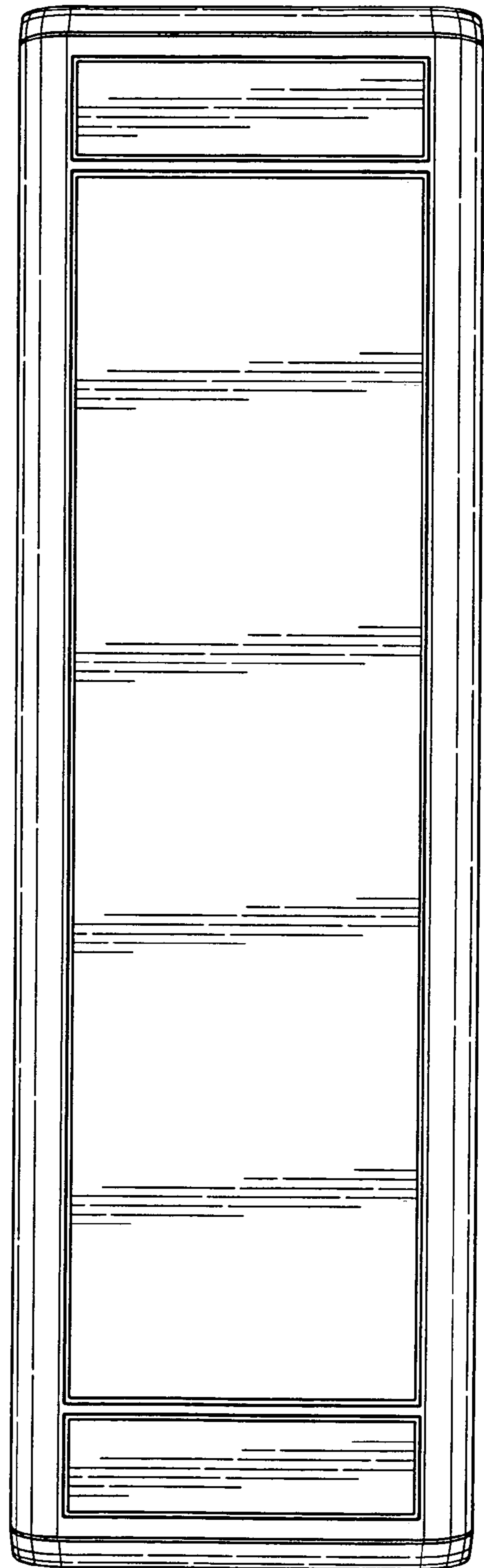


FIG. 7