



US00D569004S

(12) **United States Design Patent**  
**Cafaro et al.**

(10) **Patent No.:** **US D569,004 S**

(45) **Date of Patent:** **\*\* May 13, 2008**

(54) **FOOTBATH**

(75) Inventors: **Michael Cafaro**, El Paso, TX (US);  
**Ruben Enriquez**, El Paso, TX (US)

(73) Assignee: **Helen of Troy Limited**, El Paso, TX (US)

(\*\*) Term: **14 Years**

(21) Appl. No.: **29/223,840**

(22) Filed: **Feb. 22, 2005**

(51) **LOC (8) Cl.** ..... **28-03**

(52) **U.S. Cl.** ..... **D24/213**

(58) **Field of Classification Search** ..... D24/200–202,  
D24/204–205, 212, 213; 607/144; 4/622,  
4/574.1; 601/6, 15, 30–32, 64, 66, 157–158  
See application file for complete search history.

(56) **References Cited**

**U.S. PATENT DOCUMENTS**

- D330,426 S \* 10/1992 Elkerbout ..... D24/213
- D364,466 S \* 11/1995 Assmann et al. .... D24/213
- D405,535 S \* 2/1999 Schulz ..... D24/213
- D453,836 S \* 2/2002 Gillette et al. .... D24/213
- D455,498 S \* 4/2002 Gillette et al. .... D24/213
- 6,385,795 B1 \* 5/2002 Ferber et al. .... 4/622

- 6,405,390 B2 \* 6/2002 Kuen ..... 4/622
- D487,514 S \* 3/2004 Lie ..... D24/213
- D487,515 S \* 3/2004 Lie ..... D24/213
- D518,182 S \* 3/2006 Cafaro et al. .... D24/212
- D541,424 S \* 4/2007 Cafaro ..... D24/212

\* cited by examiner

*Primary Examiner*—Charles A. Rademaker

*Assistant Examiner*—Melanie S. Levy

(74) *Attorney, Agent, or Firm*—Hoffman Wasson & Gitler

(57) **CLAIM**

The ornamental design for a footbath, as shown, and described.

**DESCRIPTION**

FIG. 1 is a perspective view of the footbath;

FIG. 2 is a top view of the footbath;

FIG. 3 is a rear view of the footbath;

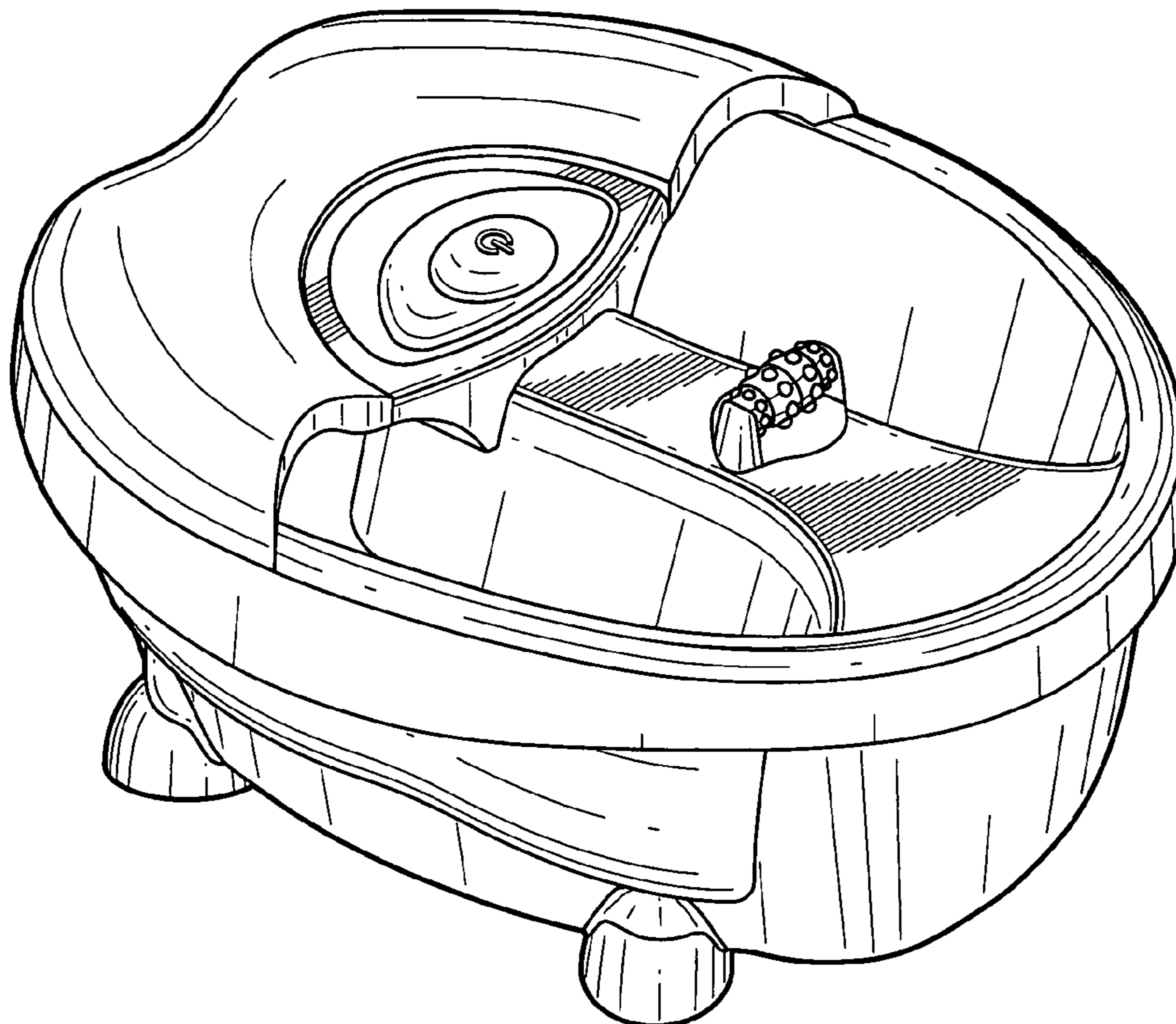
FIG. 4 is a front view of the footbath;

FIG. 5 is a side view of the footbath; and,

FIG. 6 is a bottom view of the footbath.

The broken lines are for illustrative purposes only and form no part of the claimed design.

**1 Claim, 6 Drawing Sheets**



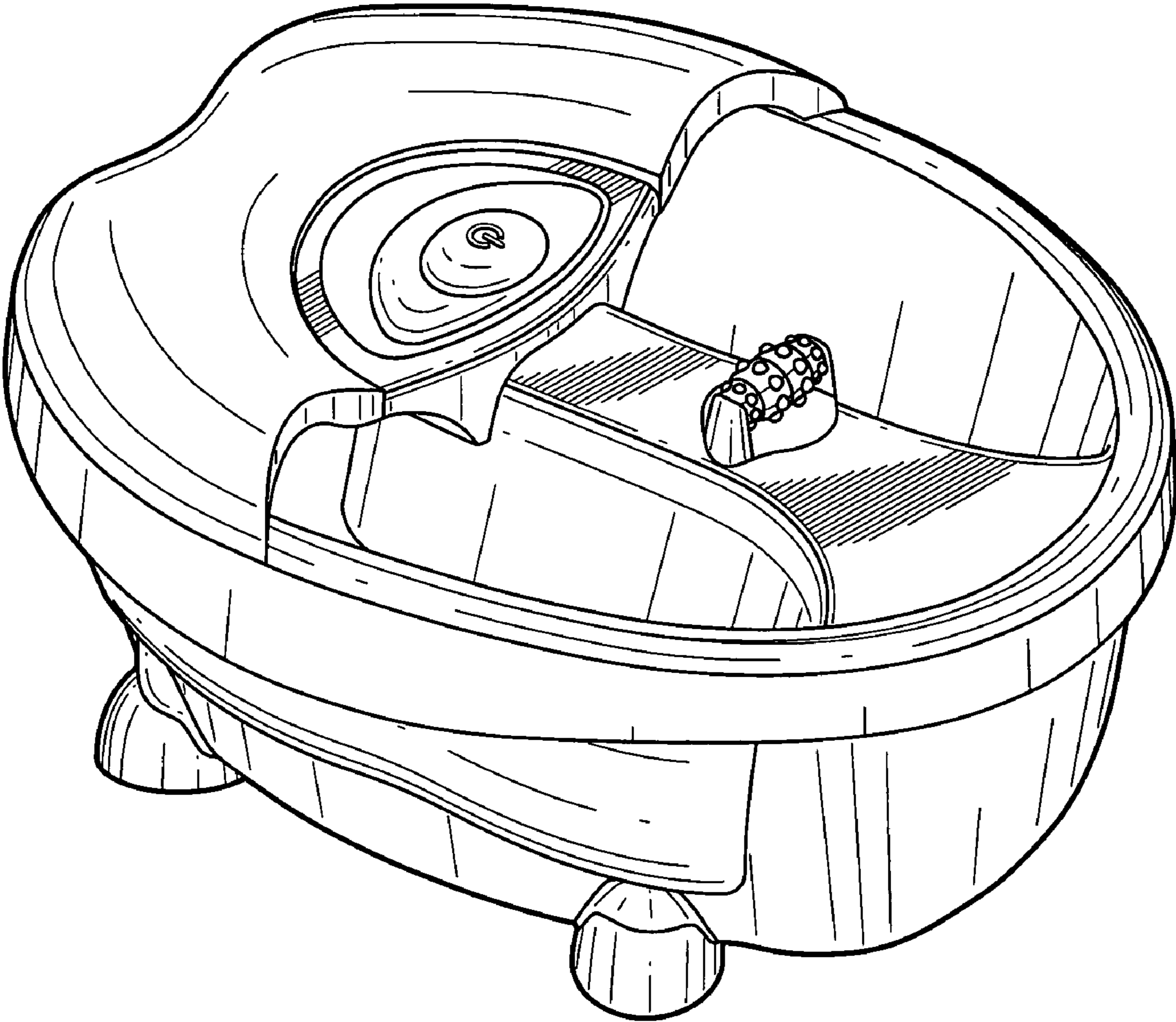


FIG. 1

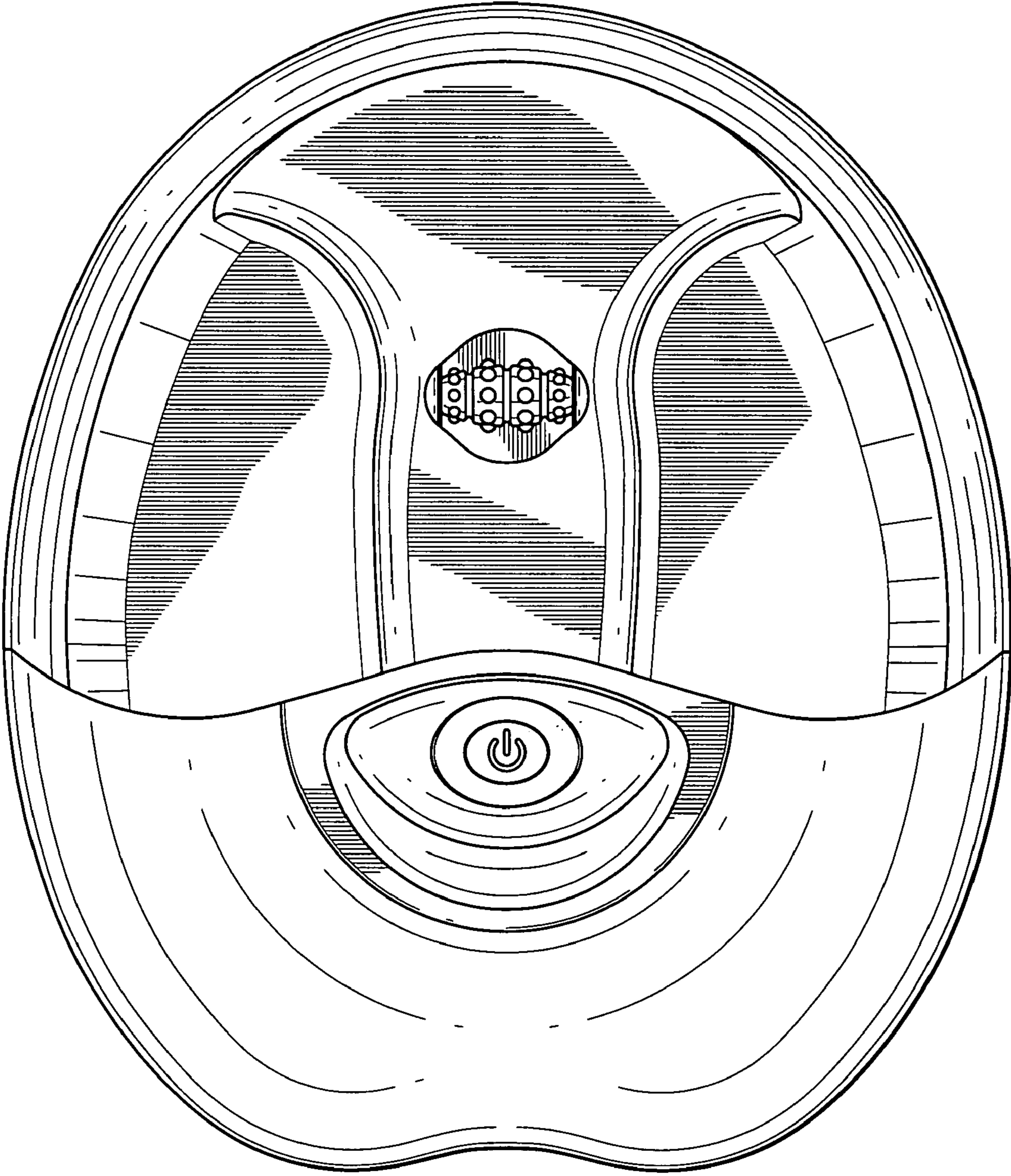


FIG.2

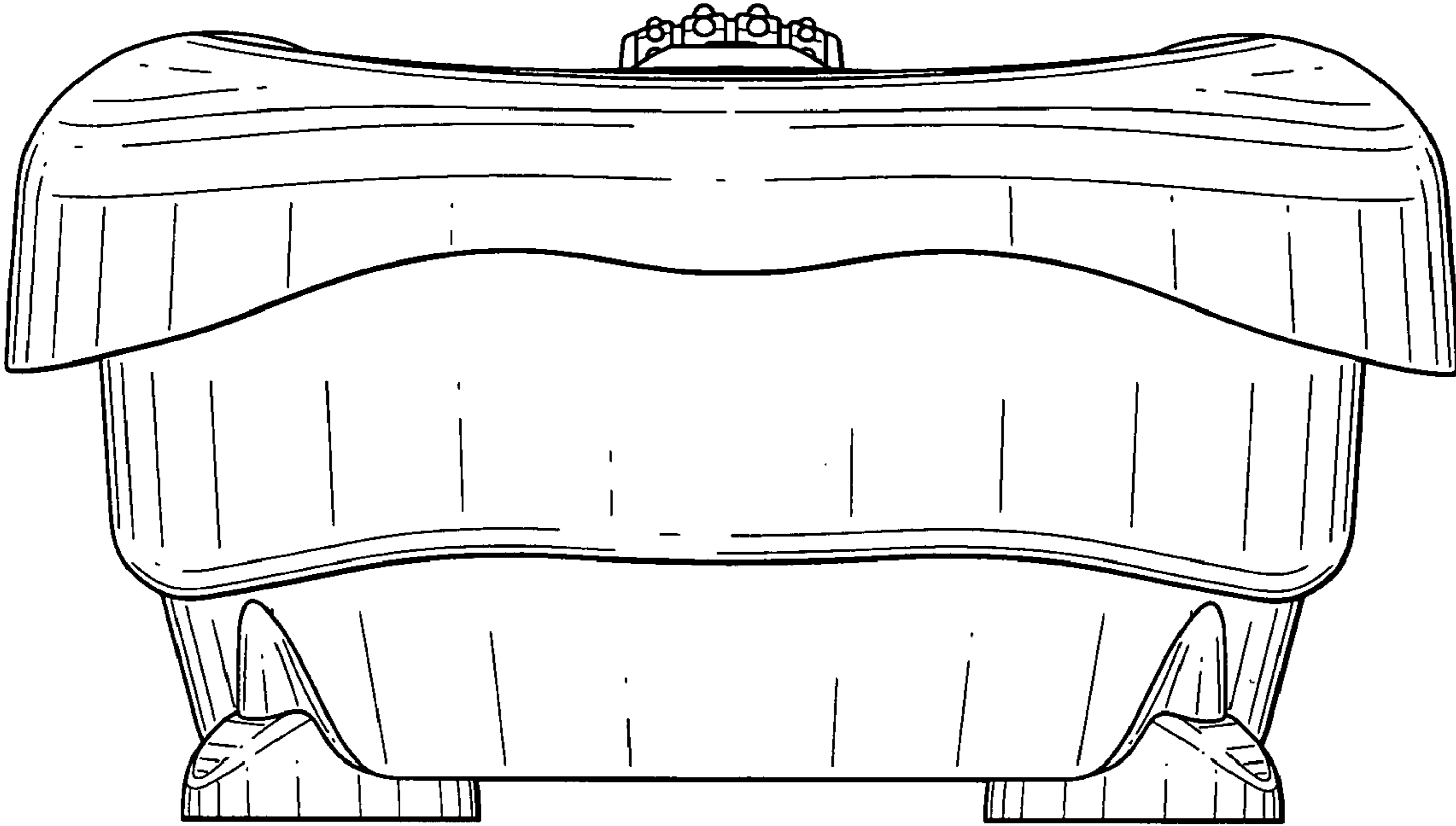


FIG. 3



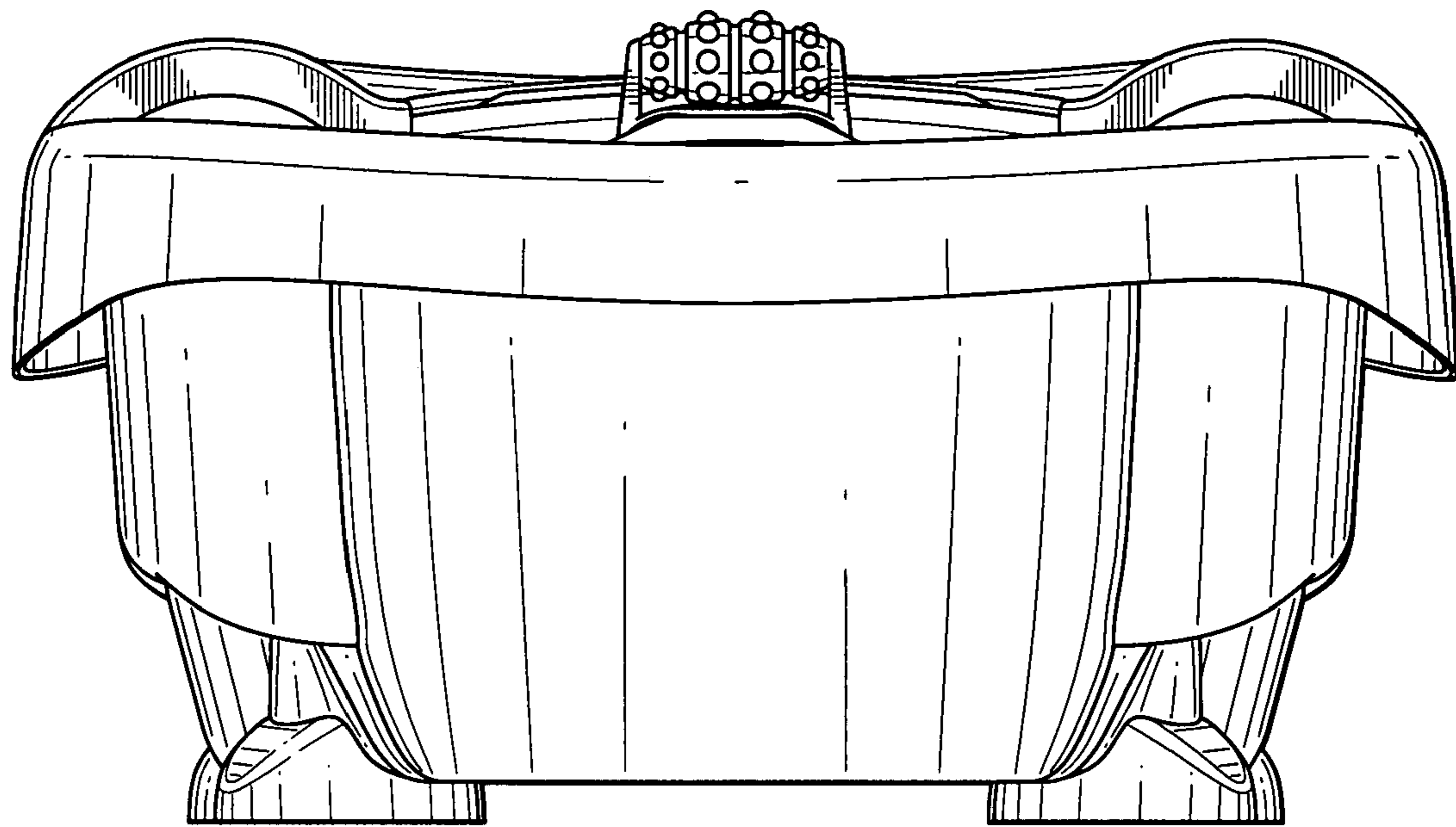


FIG.4

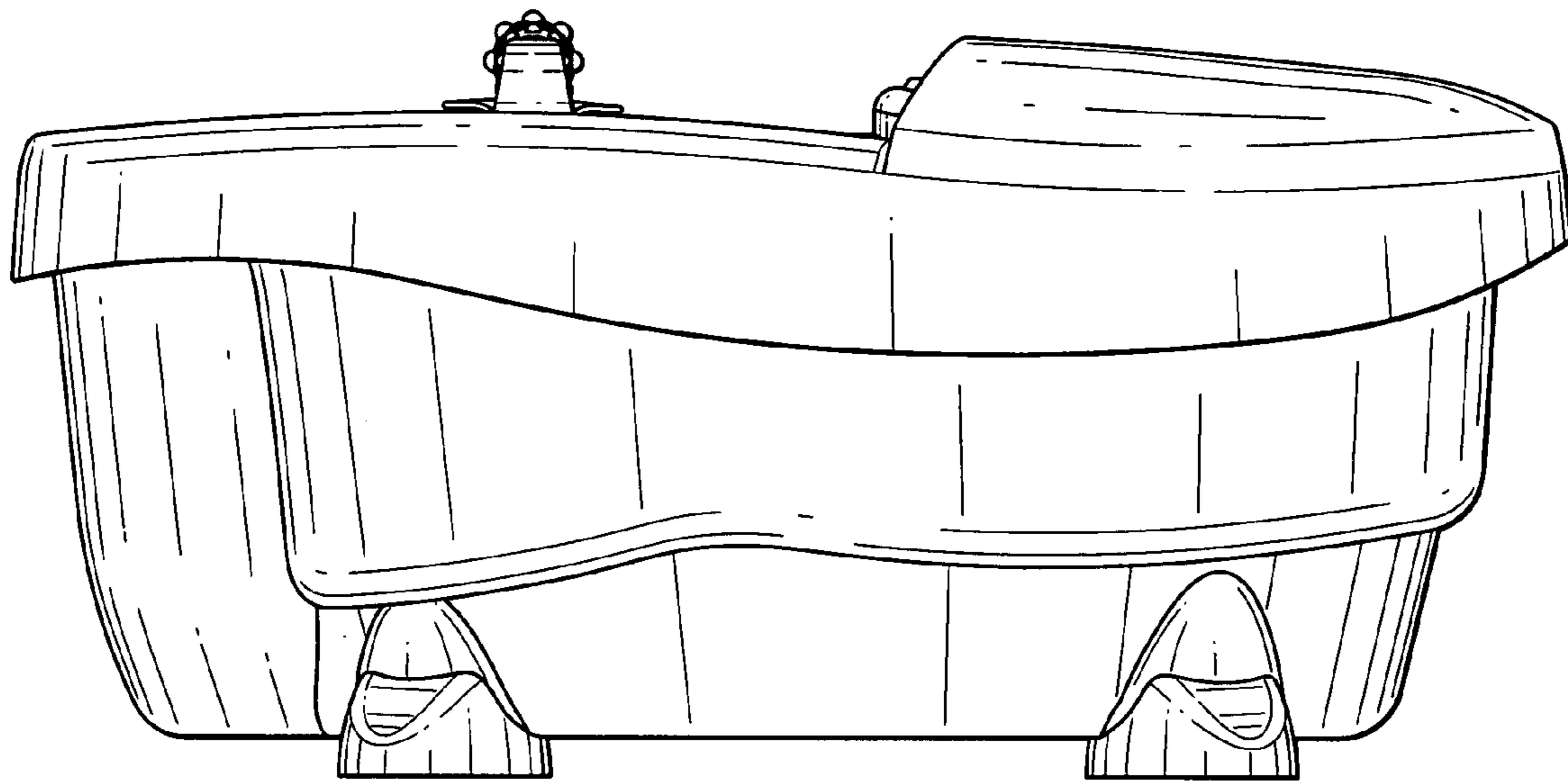


FIG.5

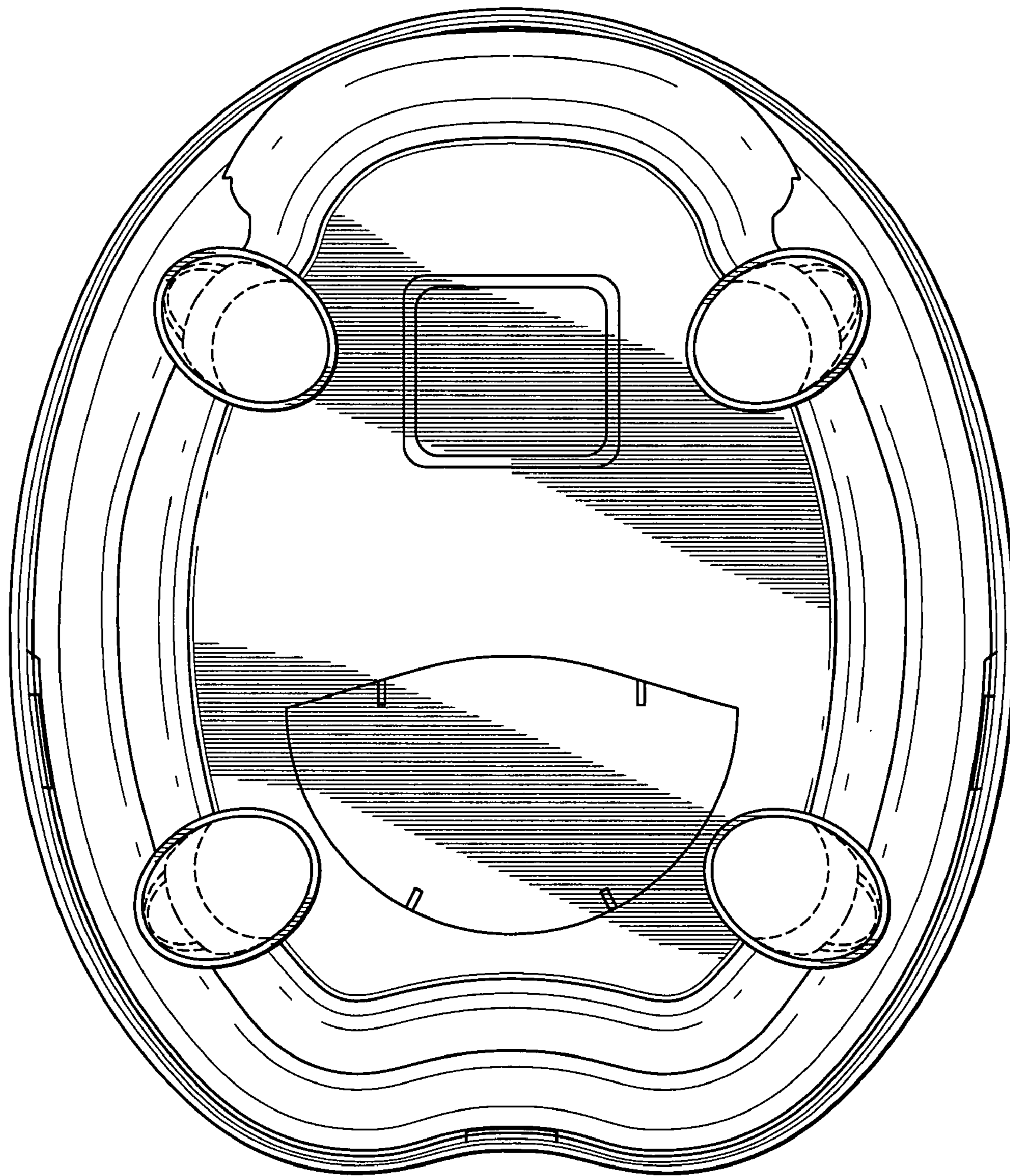


FIG. 6