



US00D568998S

(12) **United States Design Patent**
Dolensky et al.

(10) **Patent No.:** **US D568,998 S**

(45) **Date of Patent:** **** May 13, 2008**

(54) **LIQUID OXYGEN CONNECTOR**

(75) Inventors: **Joseph T. Dolensky**, Kennesaw, GA (US); **Jeremy Blair**, Atlanta, GA (US); **Don Griffin**, Marietta, GA (US); **Douglas Whitcher**, Woodstock, GA (US); **Robert J. Maddox, Jr.**, Cartersville, GA (US)

(73) Assignee: **RIC Investments, LLC**, Wilmington, DE (US)

(**) Term: **14 Years**

(21) Appl. No.: **29/272,037**

(22) Filed: **Jan. 31, 2007**

(51) **LOC (8) Cl.** **24-02**

(52) **U.S. Cl.** **D24/164**

(58) **Field of Classification Search** D24/164, D24/110, 129; 128/204.18, 204.23, 204.26, 128/205.24, 201.21; D13/133, 151; D23/262
See application file for complete search history.

(56) **References Cited**

U.S. PATENT DOCUMENTS

D350,395 S *	9/1994	H.ang.kansson	D24/173
D362,718 S *	9/1995	Deily et al.	D24/129
D399,317 S *	10/1998	Nenye et al.	D24/164
D450,837 S *	11/2001	Cise et al.	D24/129
D451,194 S *	11/2001	Cise et al.	D24/112
D473,647 S *	4/2003	Francavilla et al.	D24/129

* cited by examiner

Primary Examiner—Louis S. Zarfes

Assistant Examiner—Anhdao Doan

(74) *Attorney, Agent, or Firm*—Michael W. Haas

(57) **CLAIM**

The ornamental design for a liquid oxygen connector, as shown and described.

DESCRIPTION

FIG. 1 is a front perspective view of an embodiment of a liquid oxygen connector according to our new design;

FIG. 2 is a front elevational view of the liquid oxygen connector shown in FIG. 1;

FIG. 3 is a rear elevational view of the liquid oxygen connector shown in FIG. 1;

FIG. 4 is a right side elevational view of the liquid oxygen connector shown in FIG. 1;

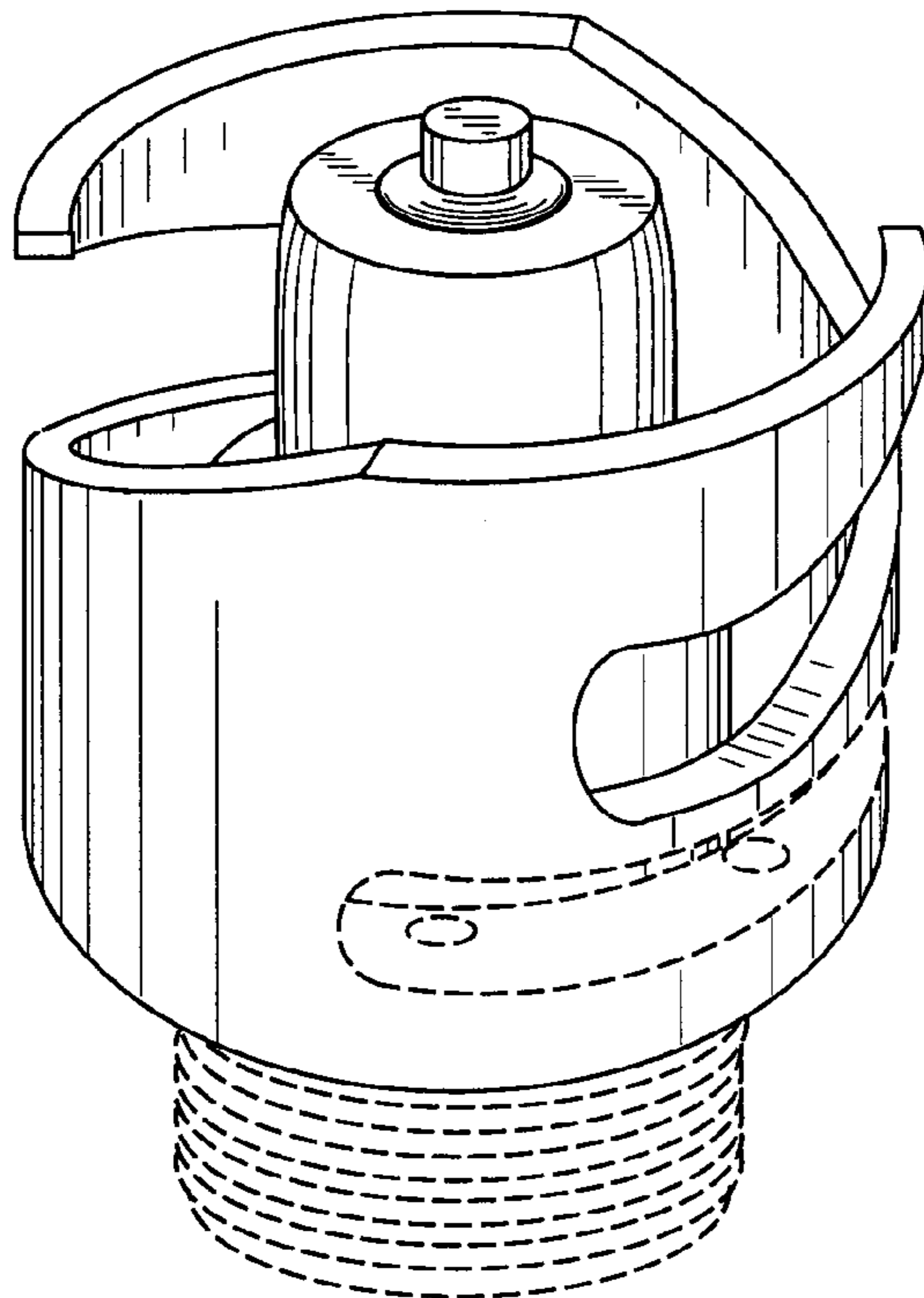
FIG. 5 is a left side elevational view of the liquid oxygen connector shown in FIG. 1;

FIG. 6 is a top plan view of the liquid oxygen connector shown in FIG. 1; and,

FIG. 7 is a bottom plan view of the liquid oxygen connector shown in FIG. 1.

The portions drawn in broken lines are shown for illustrative purposes only and form no part of the claimed design.

1 Claim, 4 Drawing Sheets



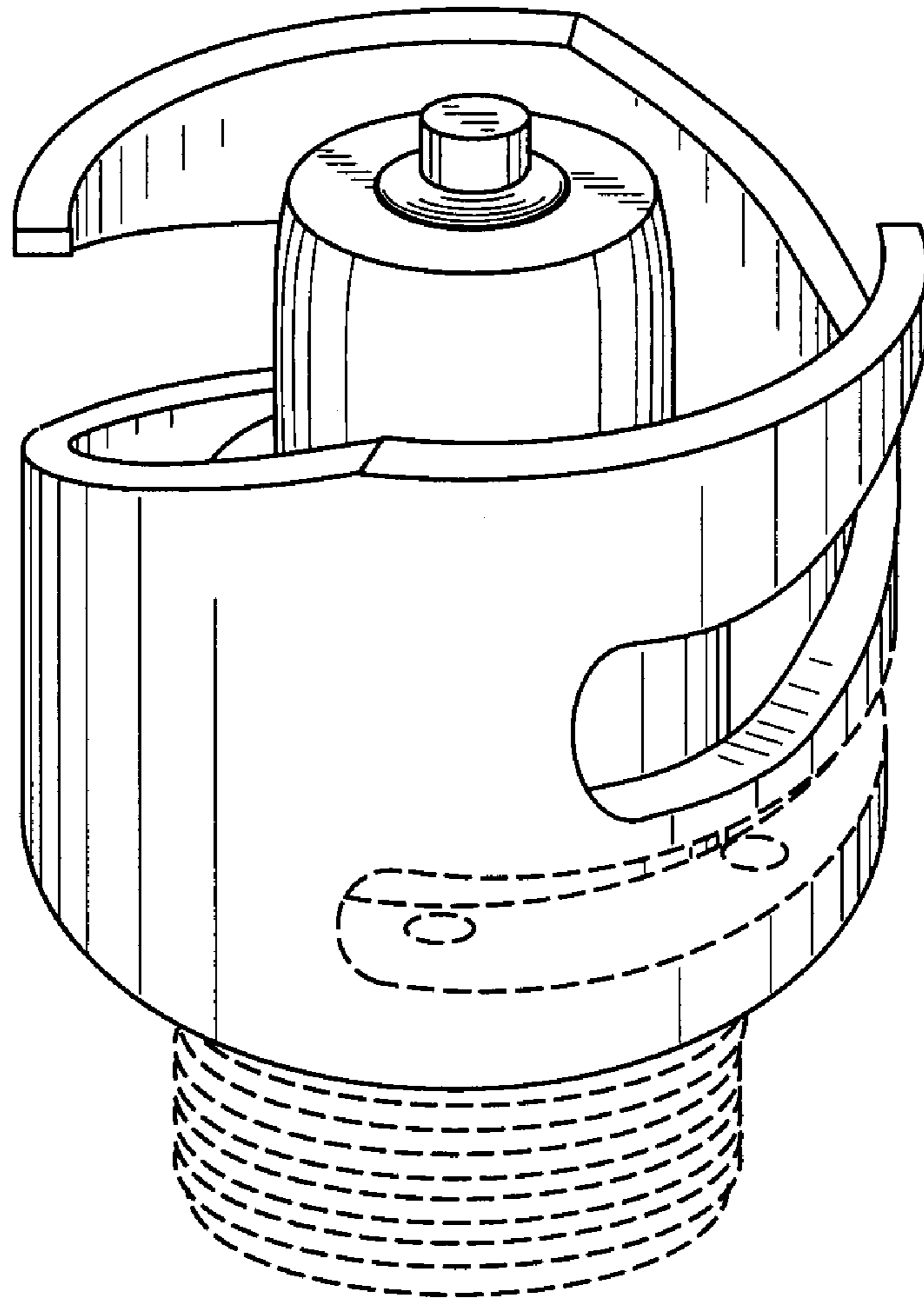


FIG. 1

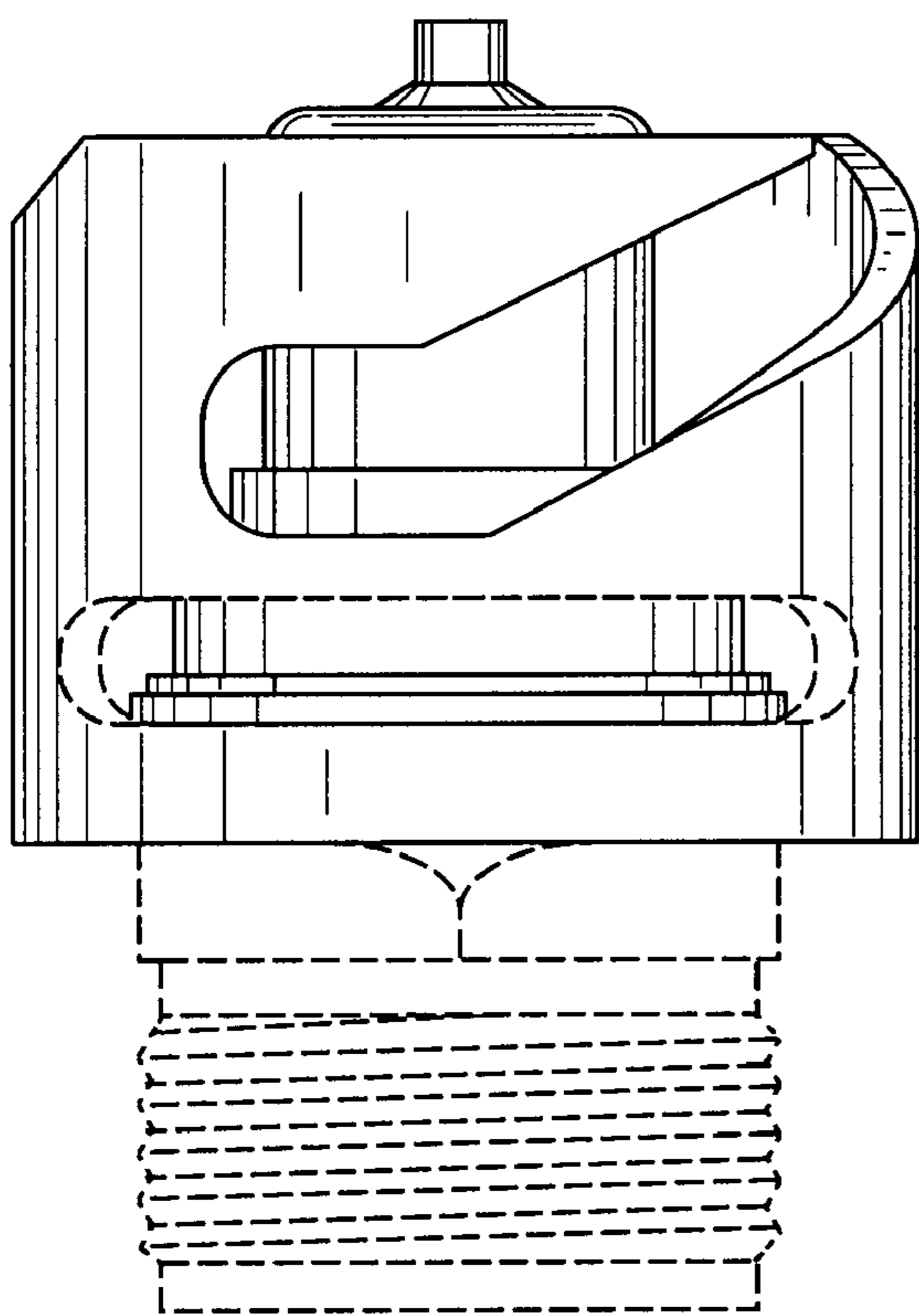


FIG. 2

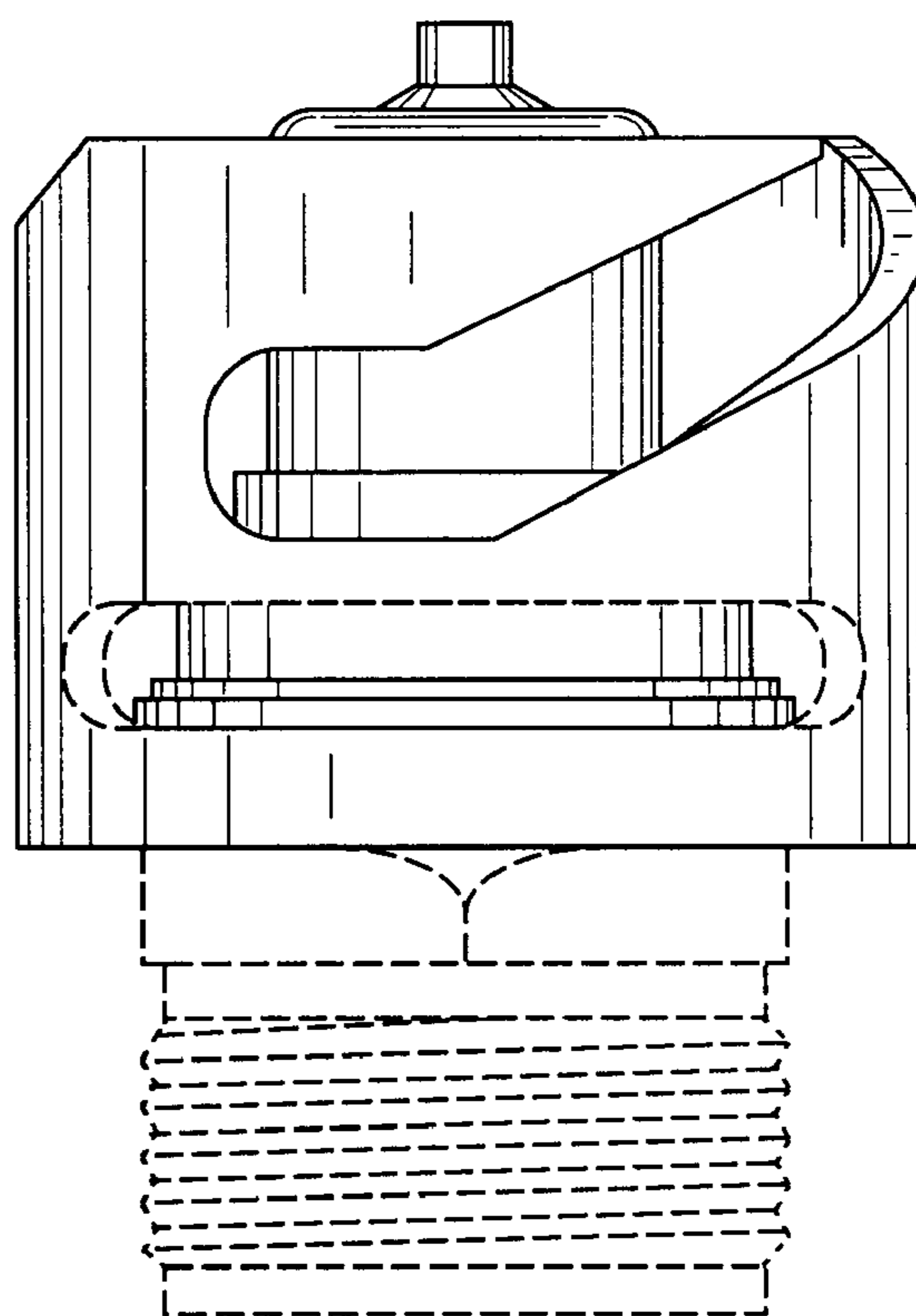


FIG. 3

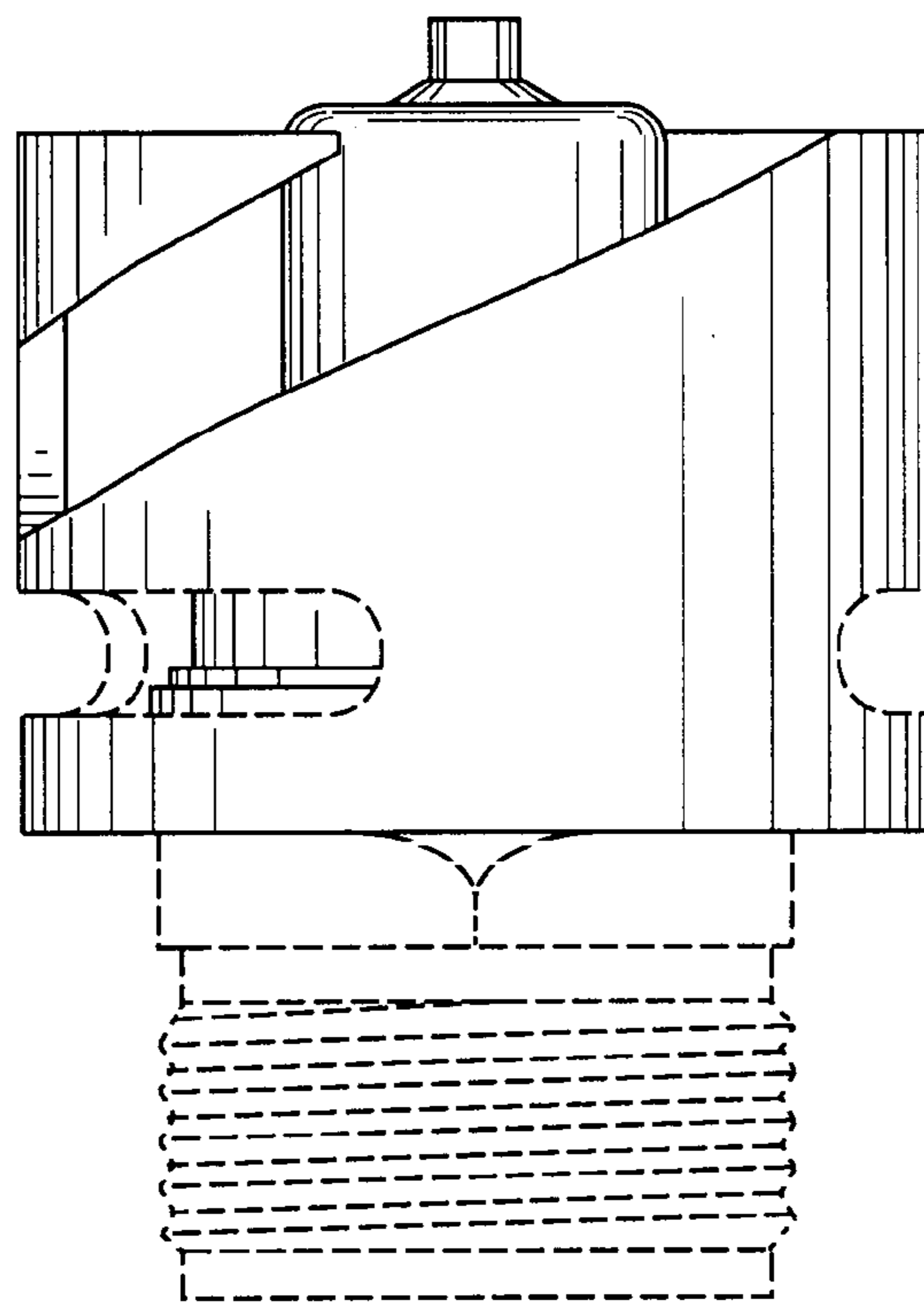


FIG. 4

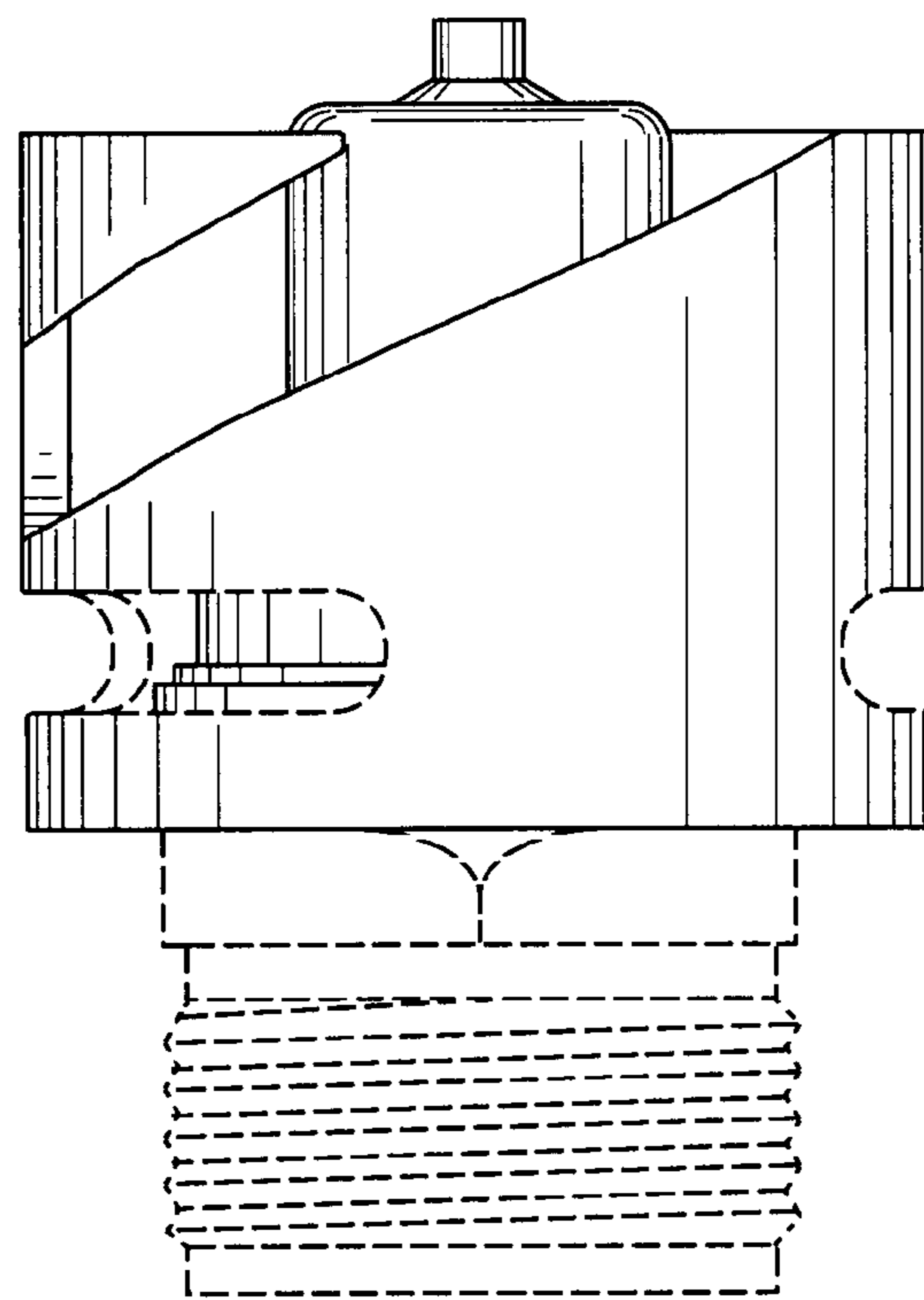


FIG. 5

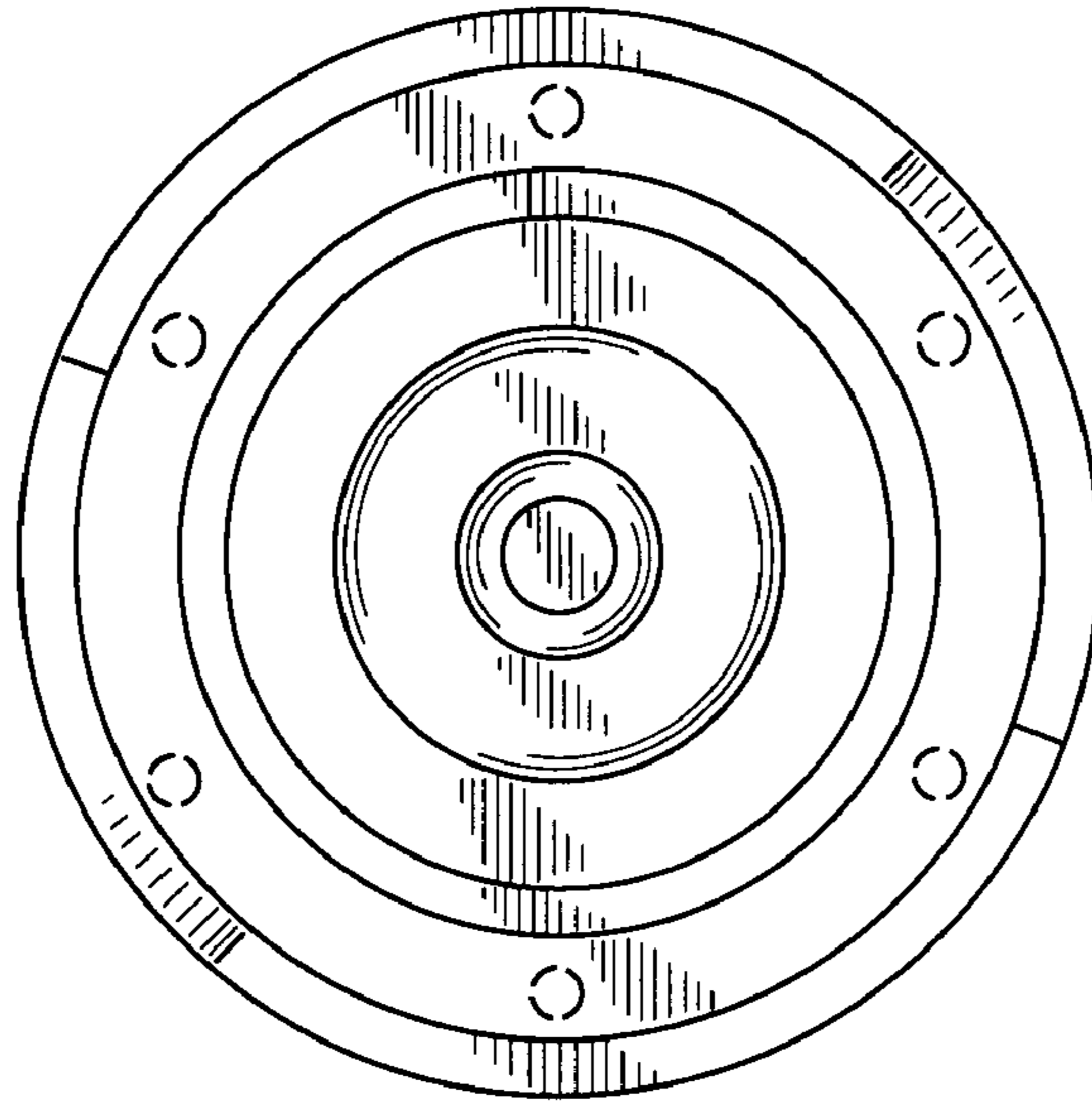


FIG. 6

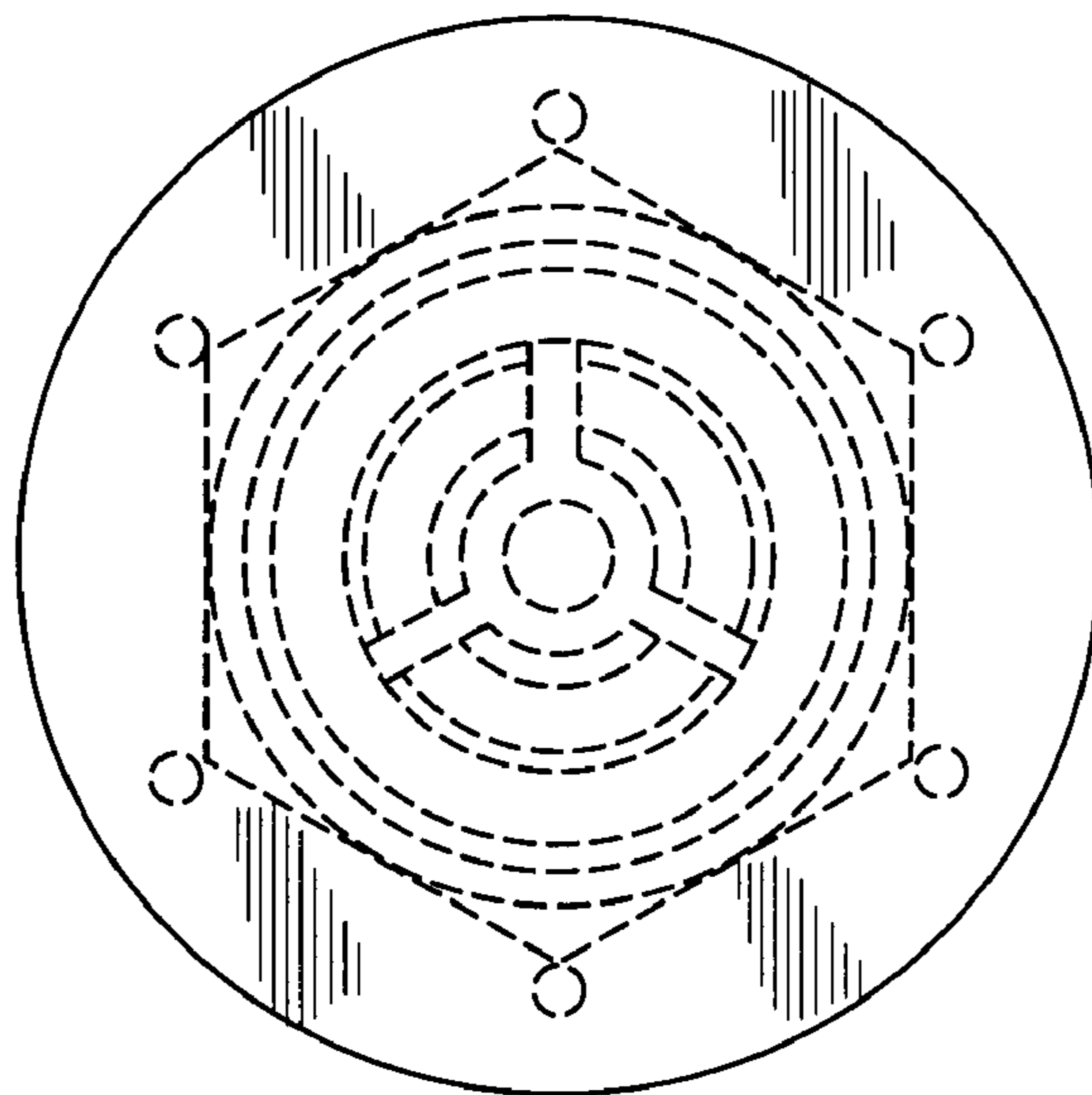


FIG. 7