

US00D568997S

(12) **United States Design Patent**  
**Dolensky et al.**

(10) **Patent No.:** **US D568,997 S**

(45) **Date of Patent:** **\*\* May 13, 2008**

(54) **LIQUID OXYGEN CONNECTOR**

(75) Inventors: **Joseph T. Dolensky**, Kennesaw, GA (US); **Jeremy Blair**, Atlanta, GA (US); **Douglas Whitcher**, Woodstock, GA (US); **Don Griffin**, Marietta, GA (US)

(73) Assignee: **RIC Investments, LLC**, Wilmington, DE (US)

(\*\*) Term: **14 Years**

(21) Appl. No.: **29/272,035**

(22) Filed: **Jan. 31, 2007**

(51) **LOC (8) Cl.** ..... **24-02**

(52) **U.S. Cl.** ..... **D24/164**

(58) **Field of Classification Search** ..... D24/164, D24/110, 129; 128/204.18, 204.23, 204.26, 128/205.24, 201.21; D13/133, 151; D23/262  
See application file for complete search history.

(56) **References Cited**

**U.S. PATENT DOCUMENTS**

D399,008 S	*	9/1998	Thomas	.....	D23/262
D399,317 S	*	10/1998	Nenye et al.	.....	D24/164
D449,107 S	*	10/2001	Madsen et al.	.....	D24/129
D466,607 S	*	12/2002	Cise et al.	.....	D24/110
D533,259 S	*	12/2006	Lewis et al.	.....	D23/262
D549,822 S	*	8/2007	Santora et al.	.....	D24/129

\* cited by examiner

*Primary Examiner*—Louis S. Zarfes

*Assistant Examiner*—Anhdao Doan

(74) *Attorney, Agent, or Firm*—Michael W. Haas

(57) **CLAIM**

The ornamental design for a liquid oxygen connector, as shown and described.

**DESCRIPTION**

FIG. 1 is a front perspective view of an embodiment of a liquid oxygen connector according to our new design;

FIG. 2 is a front elevational view of the liquid oxygen connector shown in FIG. 1;

FIG. 3 is a rear elevational view of the liquid oxygen connector shown in FIG. 1;

FIG. 4 is a right side elevational view of the liquid oxygen connector shown in FIG. 1;

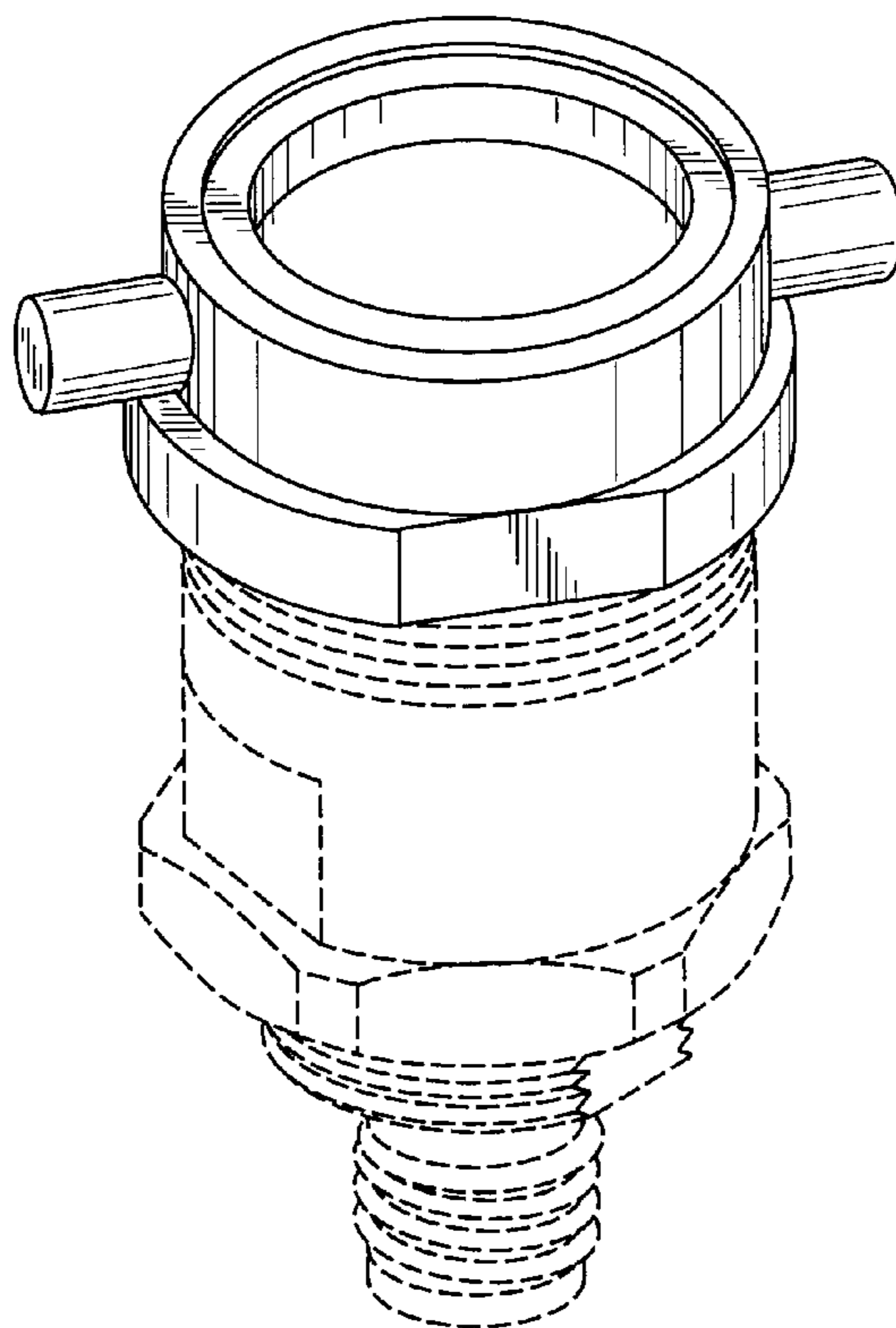
FIG. 5 is a left side elevational view of the liquid oxygen connector shown in FIG. 1;

FIG. 6 is a bottom plan view of the liquid oxygen connector shown in FIG. 1; and,

FIG. 7 is a top plan view of the liquid oxygen connector shown in FIG. 1.

The portions drawn in broken lines are shown for illustrative purposes only and form no part of the claimed design.

**1 Claim, 4 Drawing Sheets**



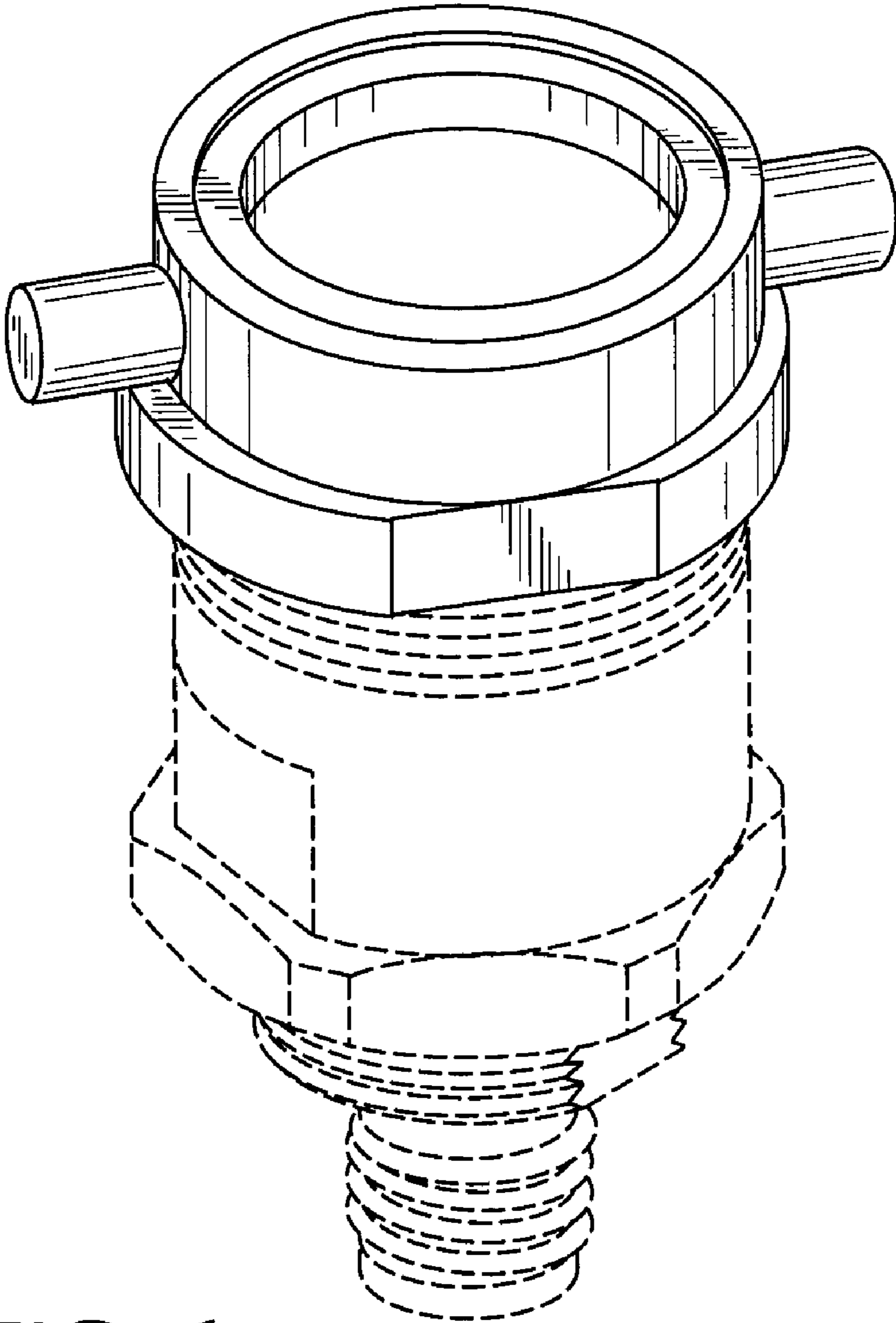


FIG. 1

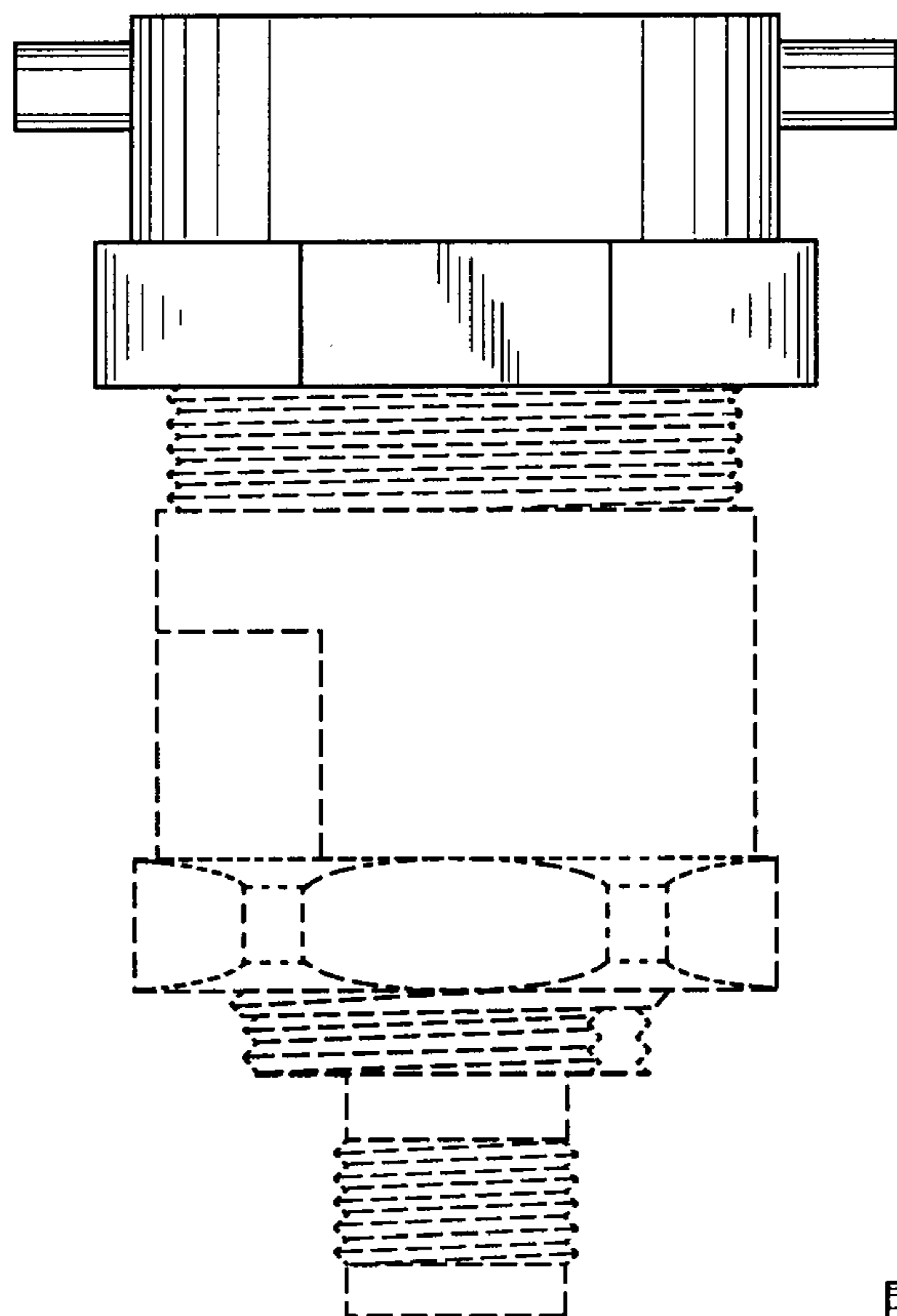


FIG. 2

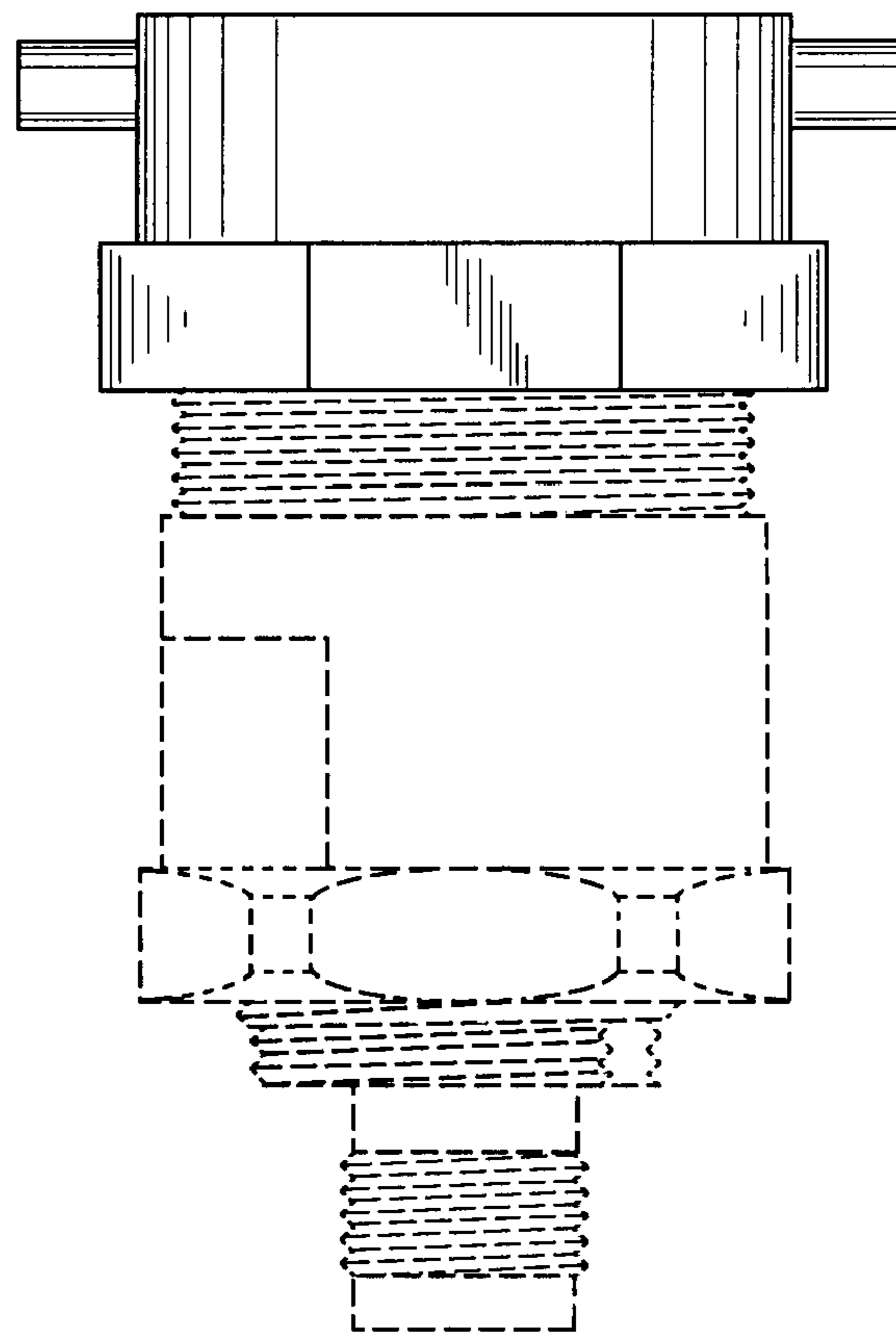


FIG. 3

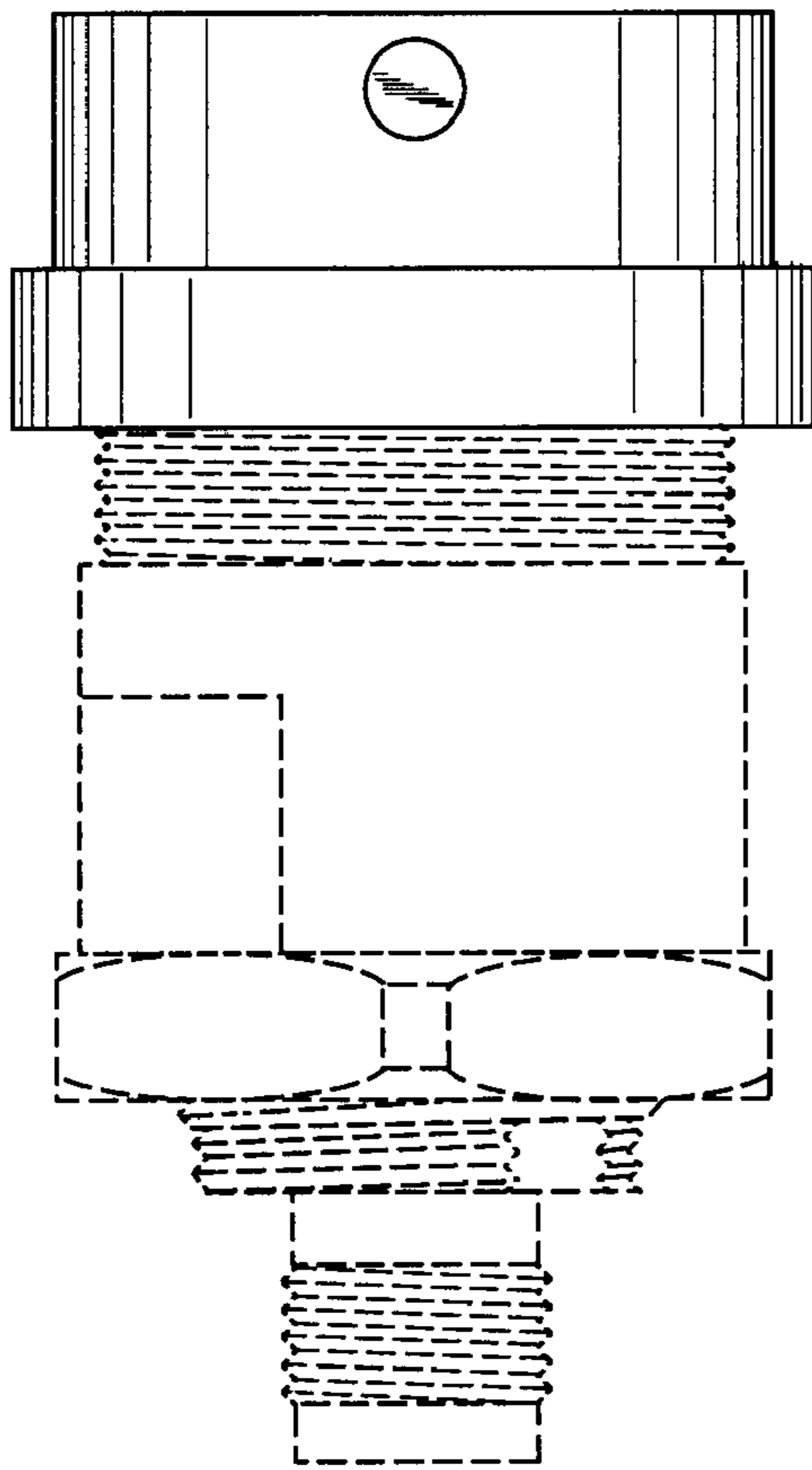


FIG. 4

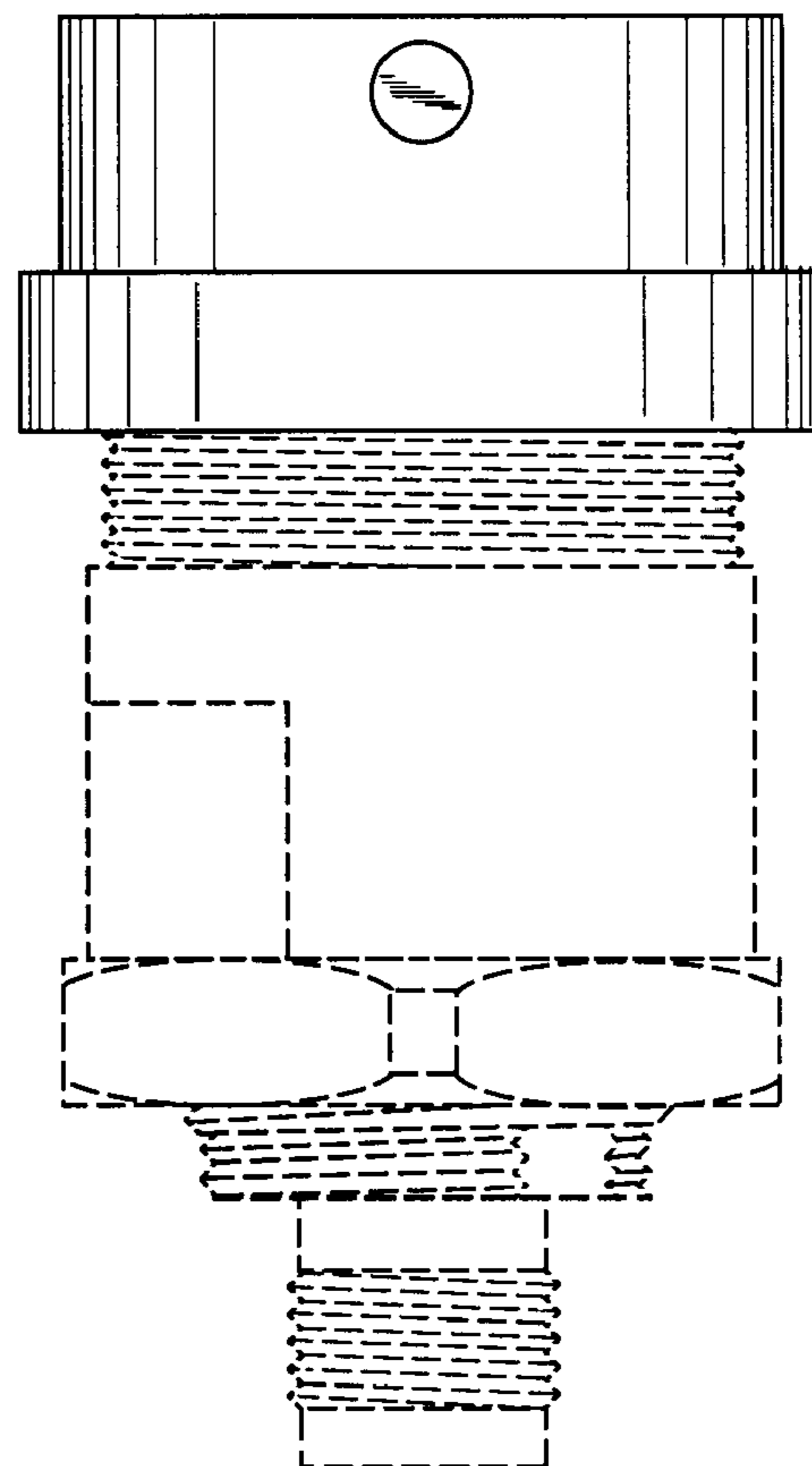


FIG. 5

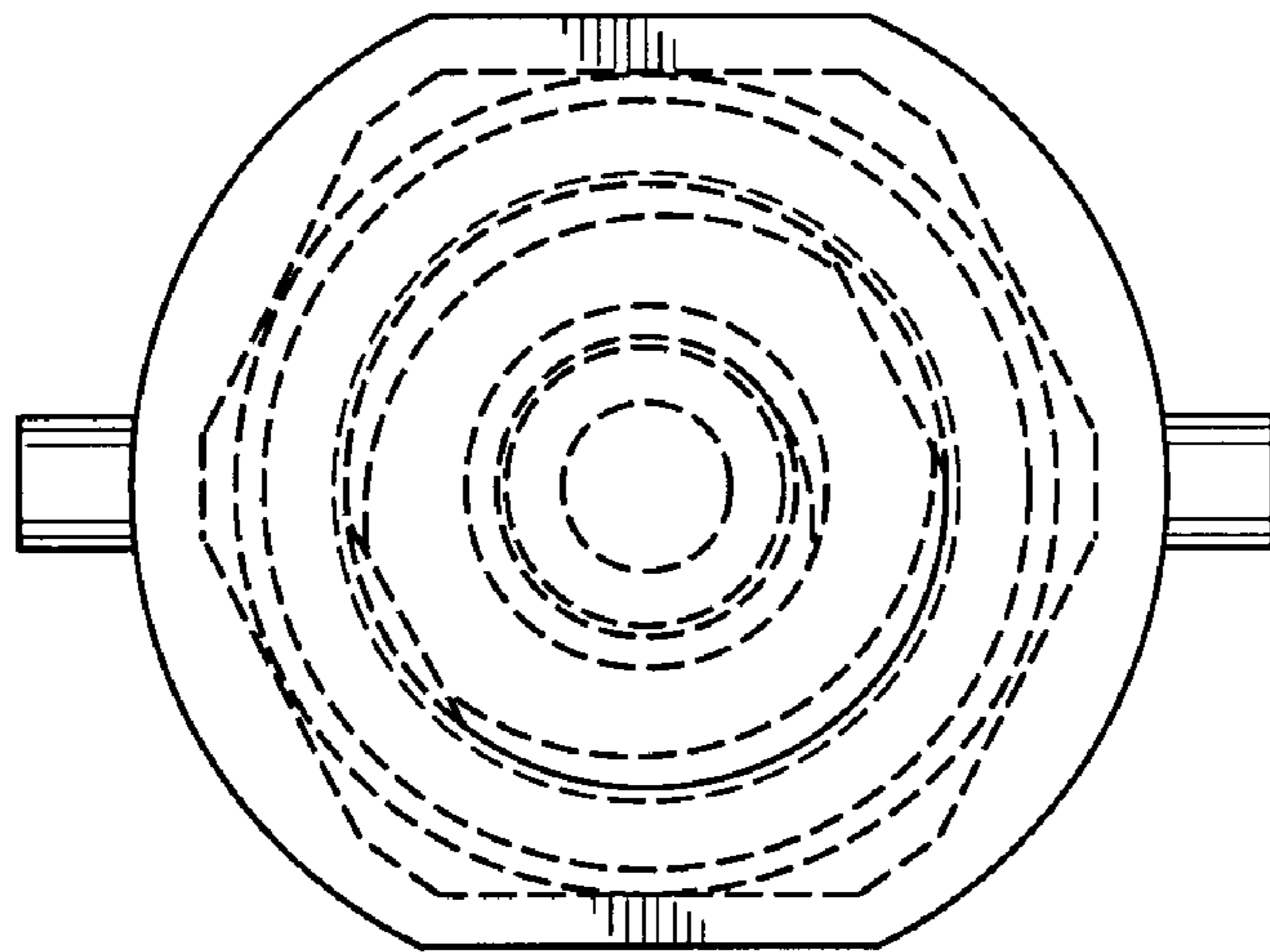


FIG. 6

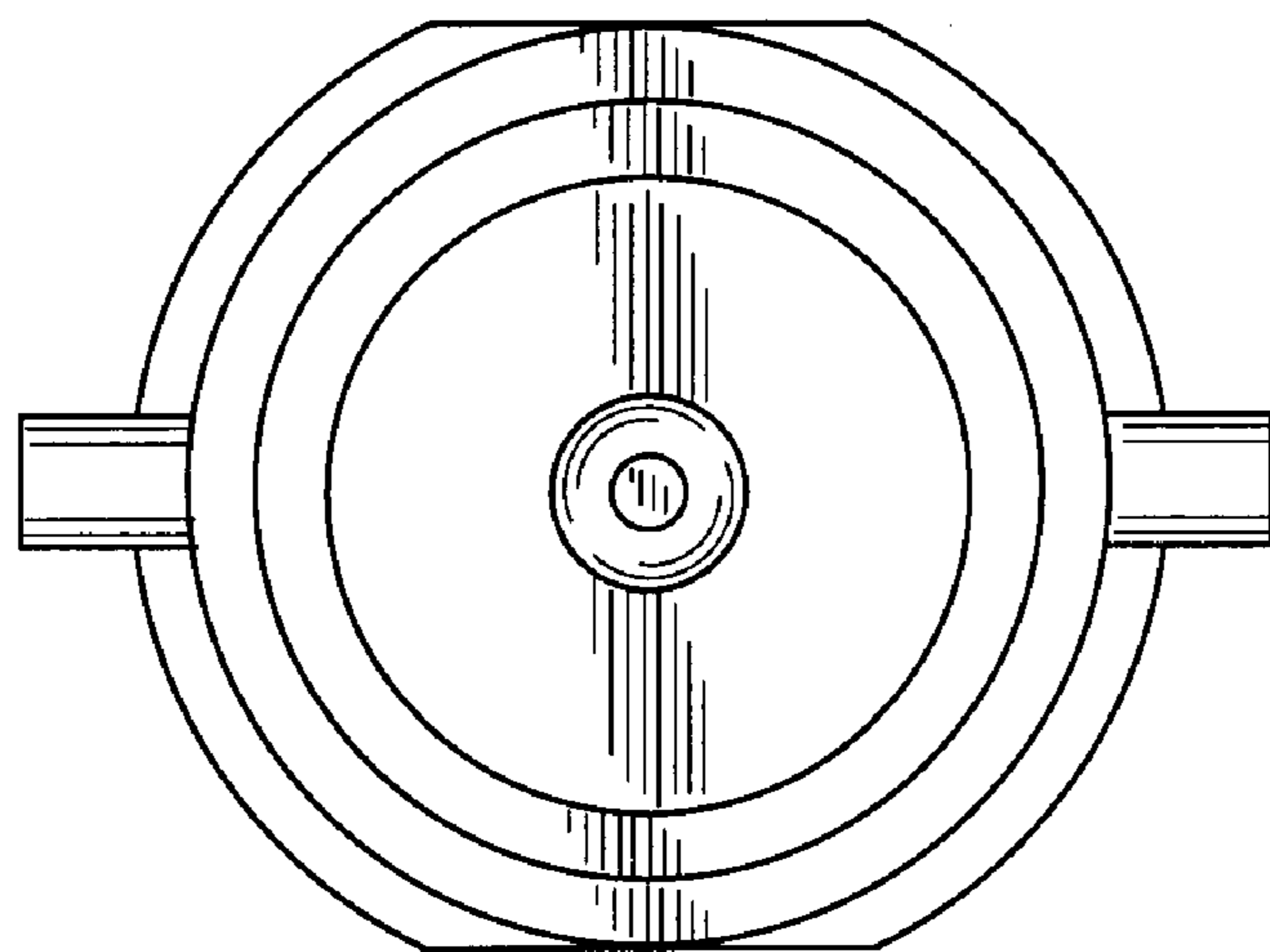


FIG. 7