



US00D568996S

(12) **United States Design Patent**  
**Woodruff**

(10) **Patent No.:** **US D568,996 S**

(45) **Date of Patent:** **\*\* May 13, 2008**

(54) **GAS GENERATOR FOR MEDICAL APPLICATIONS**

(75) Inventor: **Christie Woodruff**, Edmonton (CA)

(73) Assignee: **GeNOsys, Inc.**, Provo, UT (US)

(\*\*) Term: **14 Years**

(21) Appl. No.: **29/204,287**

(22) Filed: **Apr. 27, 2004**

(30) **Foreign Application Priority Data**

Oct. 27, 2003 (CA) ..... 104685

(51) **LOC (8) Cl.** ..... **24-01**

(52) **U.S. Cl.** ..... **D24/164; D24/110**

(58) **Field of Classification Search** ..... D24/164,  
D24/110; 128/203.12, 204.18, 204.22; 600/529;  
422/198, 44, 45; D23/207

See application file for complete search history.

(56) **References Cited**

**U.S. PATENT DOCUMENTS**

D332,662 S \* 1/1993 Miya ..... D24/164

5,827,420 A \* 10/1998 Shirazi et al. .... 205/220  
D436,401 S \* 1/2001 Remes et al. .... D24/164  
D437,056 S \* 1/2001 Remes et al. .... D24/164  
6,612,306 B1 \* 9/2003 Mault ..... 128/204.22  
6,920,876 B2 \* 7/2005 Miller et al. .... 128/204.18  
2004/0175309 A1 \* 9/2004 Miller et al. .... 422/198

\* cited by examiner

*Primary Examiner*—Ian Simmons

*Assistant Examiner*—Carissa Fitts

(74) *Attorney, Agent, or Firm*—Christensen O'Connor Johnson Kindness PLLC

(57) **CLAIM**

The ornamental design for a gas generator for medical applications, as shown and described.

**DESCRIPTION**

FIG. 1 is a top front perspective view;  
FIG. 2 is a top rear perspective view;  
FIG. 3 is a bottom perspective view;  
FIG. 4 is a front elevation view; and,  
FIG. 5 is a right side elevation view thereof.

**1 Claim, 5 Drawing Sheets**

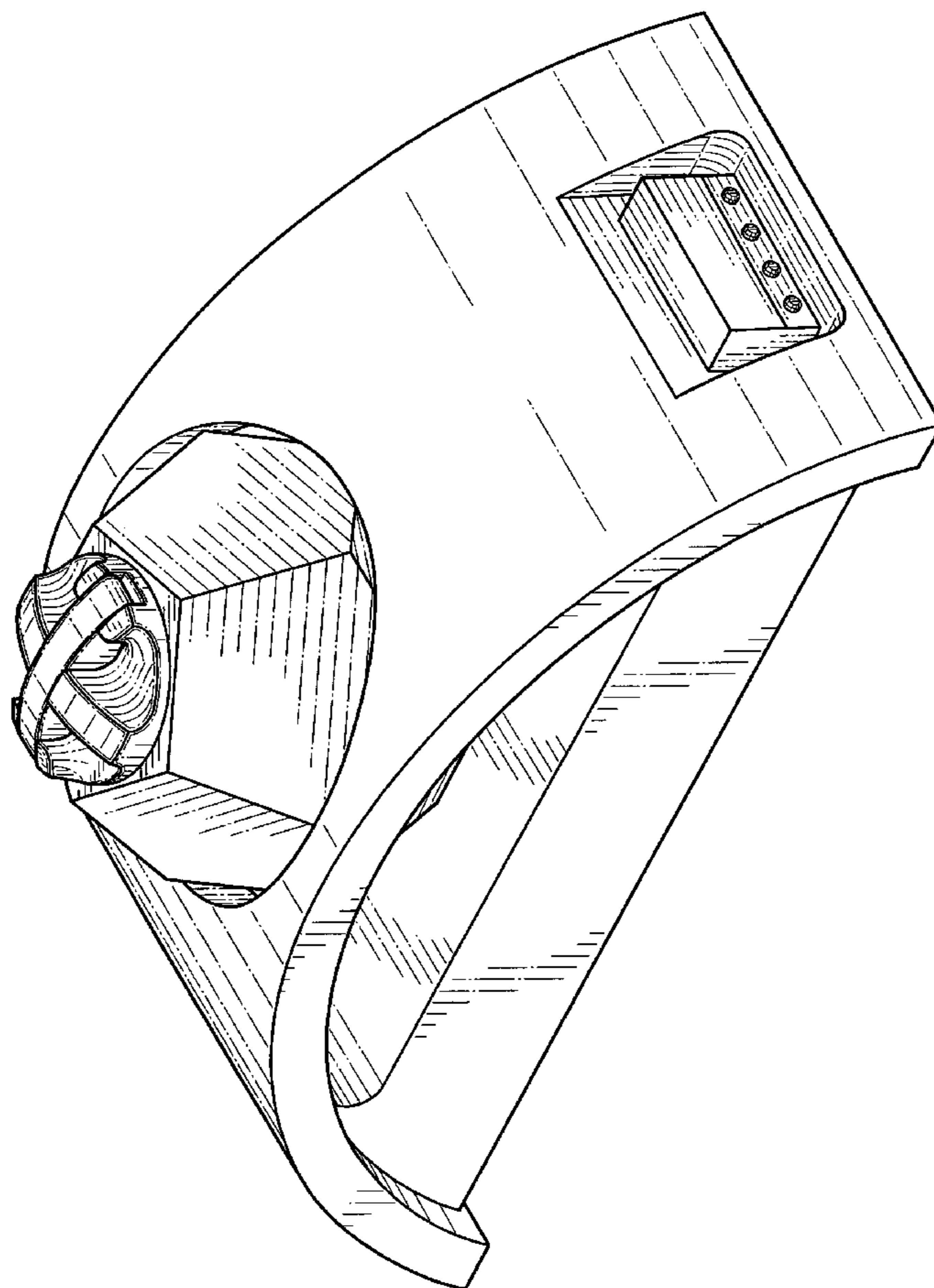


FIG. 1

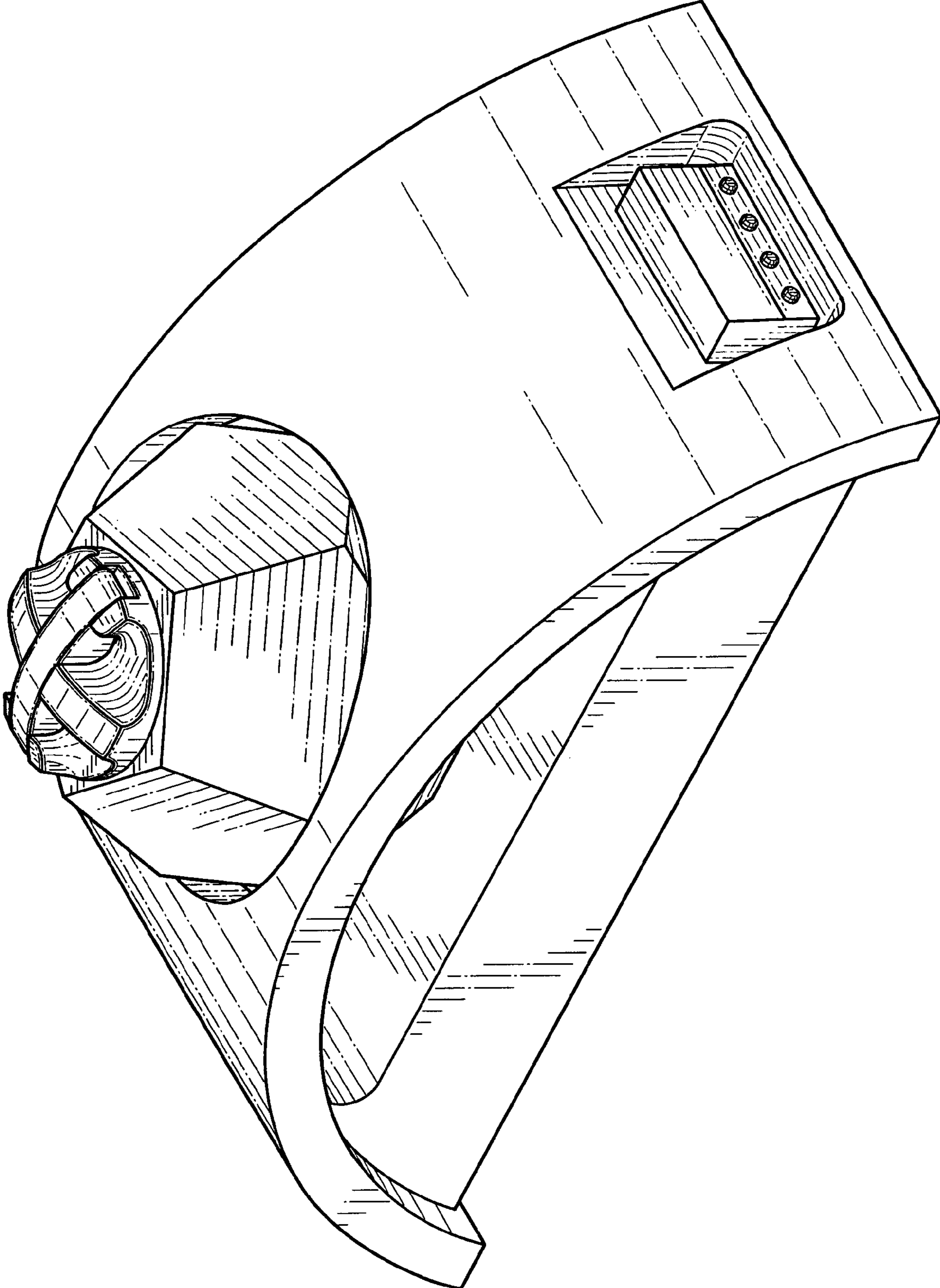


FIG. 2

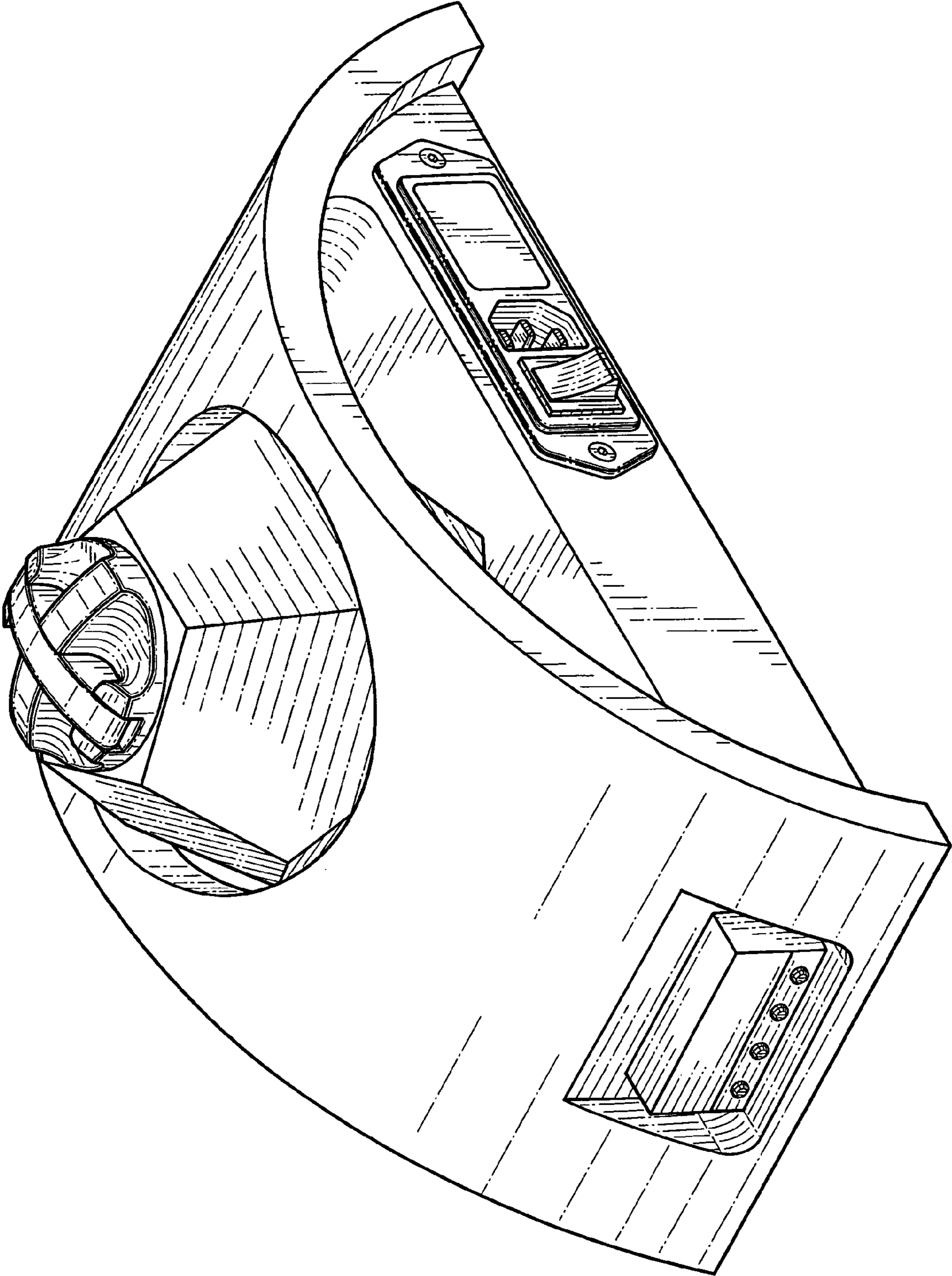


FIG. 3

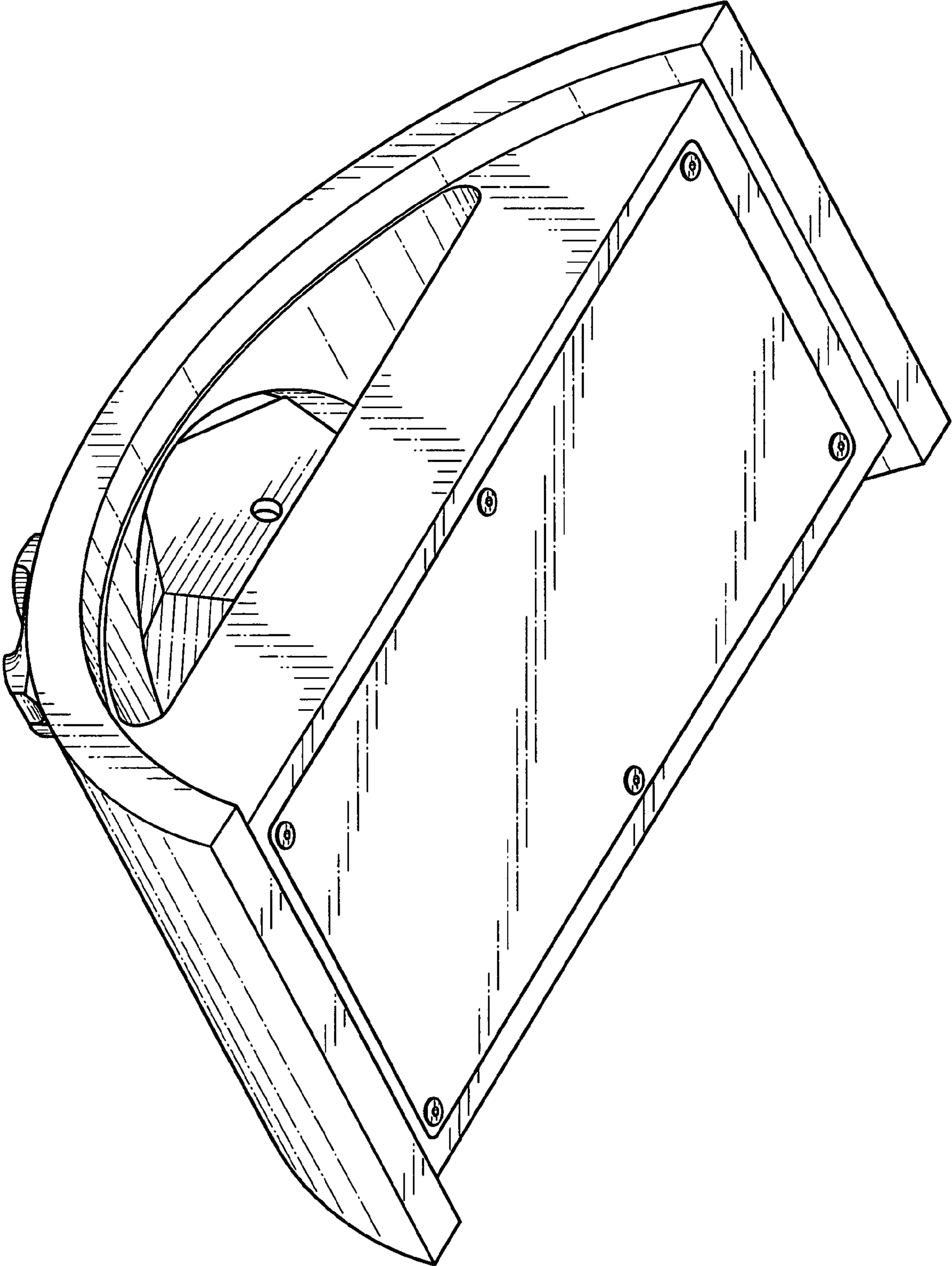


FIG. 4

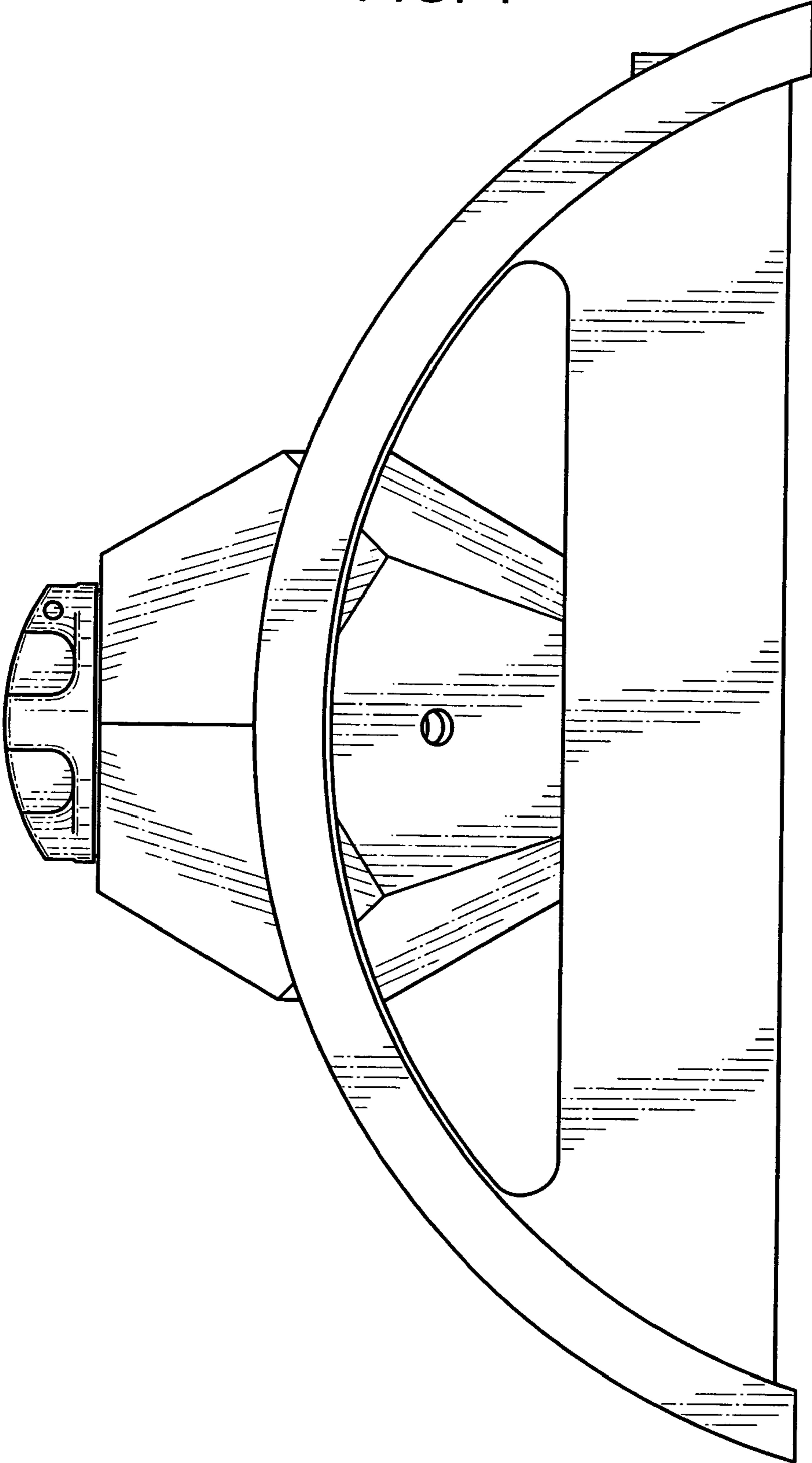


FIG. 5

