



US00D568994S

(12) **United States Design Patent**
Kumar et al.

(10) **Patent No.:** **US D568,994 S**

(45) **Date of Patent:** **** May 13, 2008**

(54) **CHEEK RETRACTOR**

(76) Inventors: **Swadesh Kumar**, Utsiktsvn 36, 2208
Kongsvinger (NO); **Nils Kristian**
Kumar, Utsiktsvn 36, 2208
Kongsvinger (NO); **Sara Kumar**,
Utsiktsvn 36, 2208 Kongsvinger (NO);
Theresa Kumar, Utsiktsvn 36, 2208
Kongsvinger (NO)

(**) Term: **14 Years**

(21) Appl. No.: **29/257,314**

(22) Filed: **Mar. 31, 2006**

(51) **LOC (8) Cl.** **24-02**

(52) **U.S. Cl.** **D24/135**

(58) **Field of Classification Search** D24/135,
D24/152, 180, 176; 600/237, 238, 239, 235,
600/206; 433/19, 140, 93

See application file for complete search history.

(56) **References Cited**

U.S. PATENT DOCUMENTS

D496,995 S * 10/2004 Dorfman D24/135
D504,721 S * 5/2005 Dorfman D24/135

6,923,761 B1 * 8/2005 Dorfman 600/237
2006/0234187 A1 * 10/2006 Kilcher et al. 433/140
2007/0218422 A1 * 9/2007 Ehrenfeld 433/140

OTHER PUBLICATIONS

American Orthodontics brochure, American Orthodontics Corpora-
tion 2005, p. 1 and 201.

* cited by examiner

Primary Examiner—Ian Simmons

Assistant Examiner—Christopher Lee

(74) *Attorney, Agent, or Firm*—Philip G. Meyers

(57) **CLAIM**

The ornamental design for a cheek retractor, as shown and
described.

DESCRIPTION

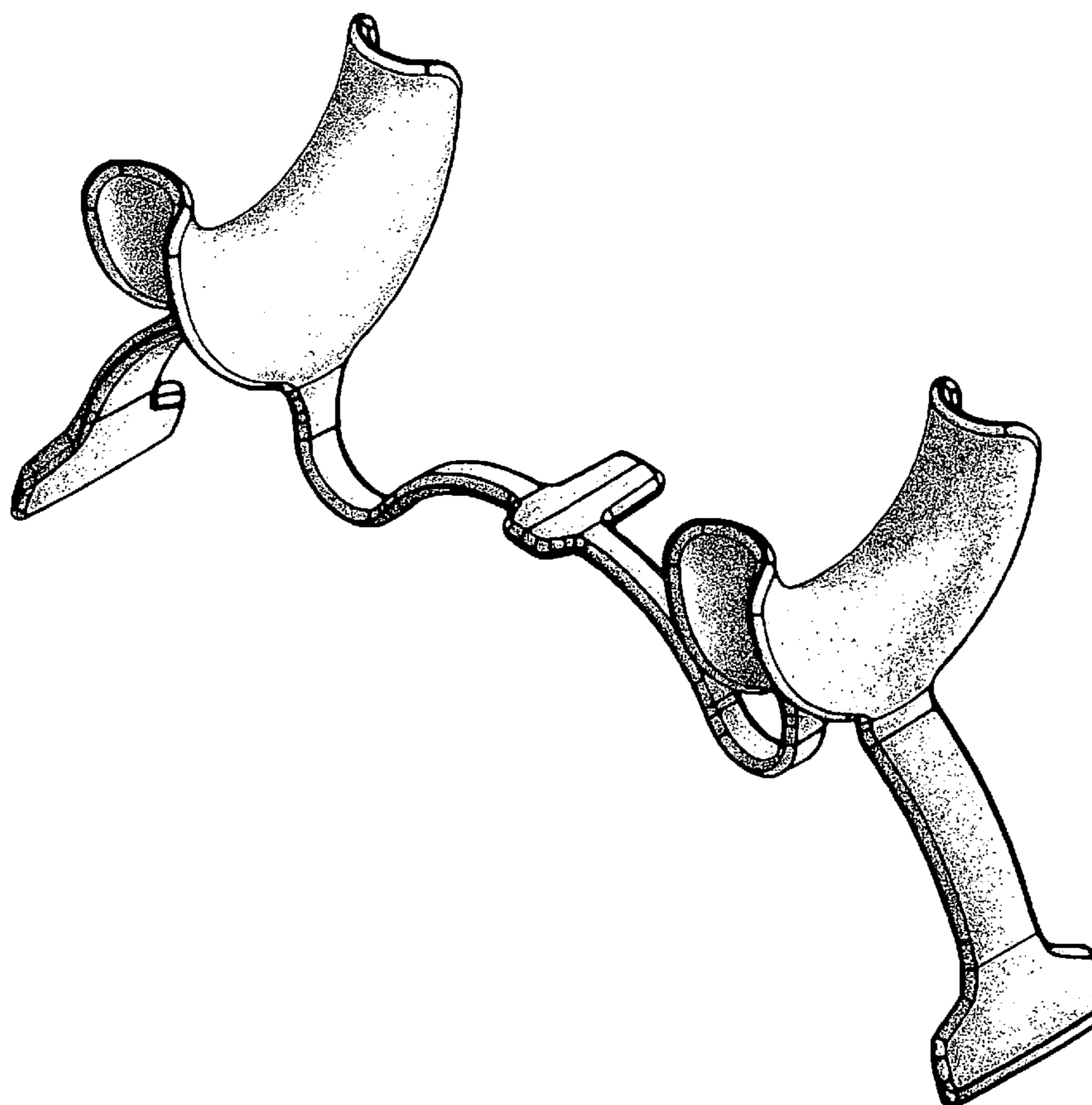
FIG. 1 is a side elevational view of a cheek retractor showing
our new design;

FIG. 2 is a top plan view of a cheek retractor thereof;

FIG. 3 is a perspective view of a cheek retractor thereof; and,

FIG. 4 is another perspective view of a cheek retractor of
FIG. 1 inverted relative to its position in FIG. 3.

1 Claim, 4 Drawing Sheets



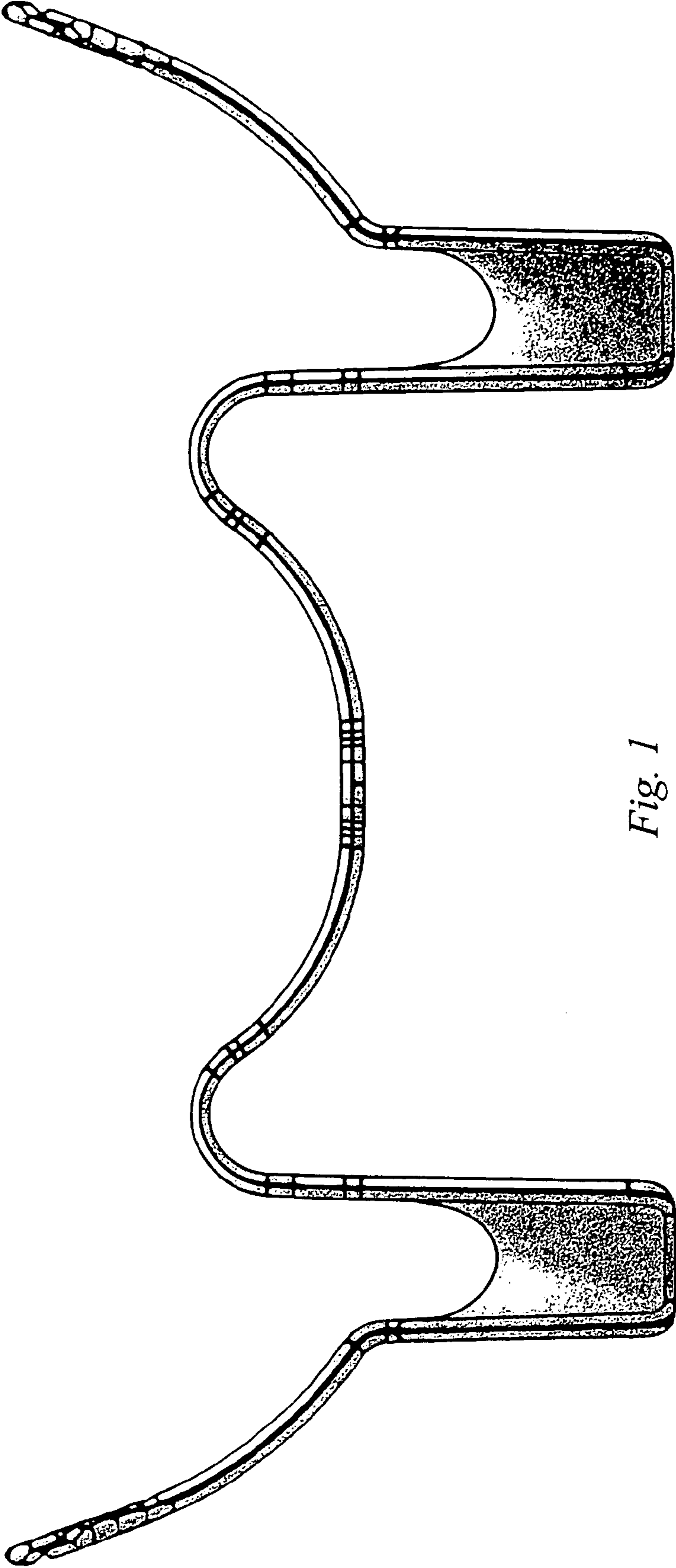


Fig. 1

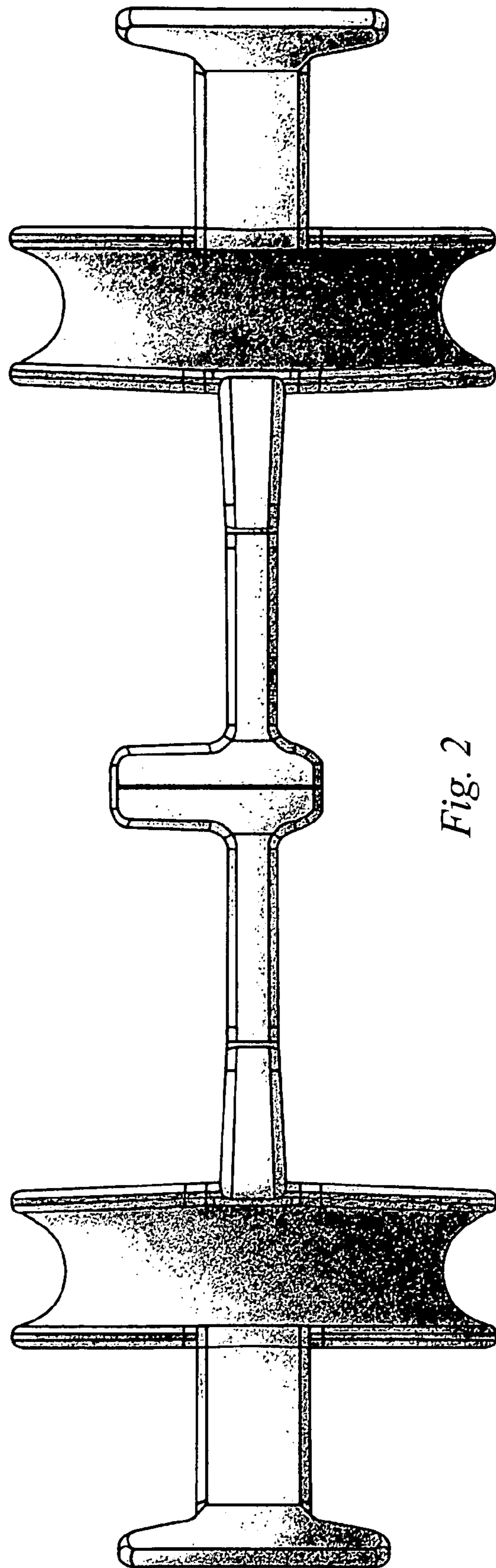


Fig. 2

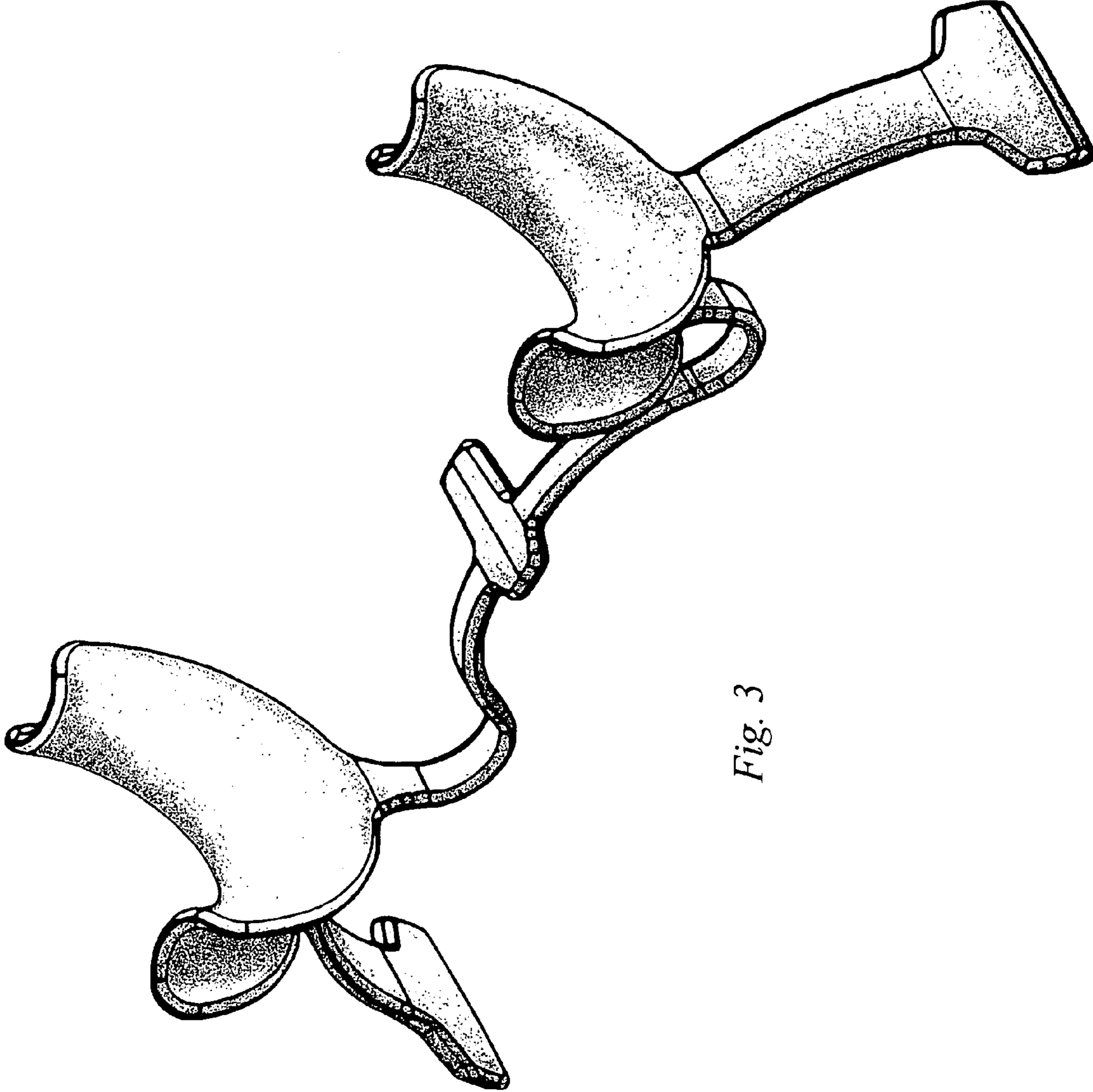


Fig. 3

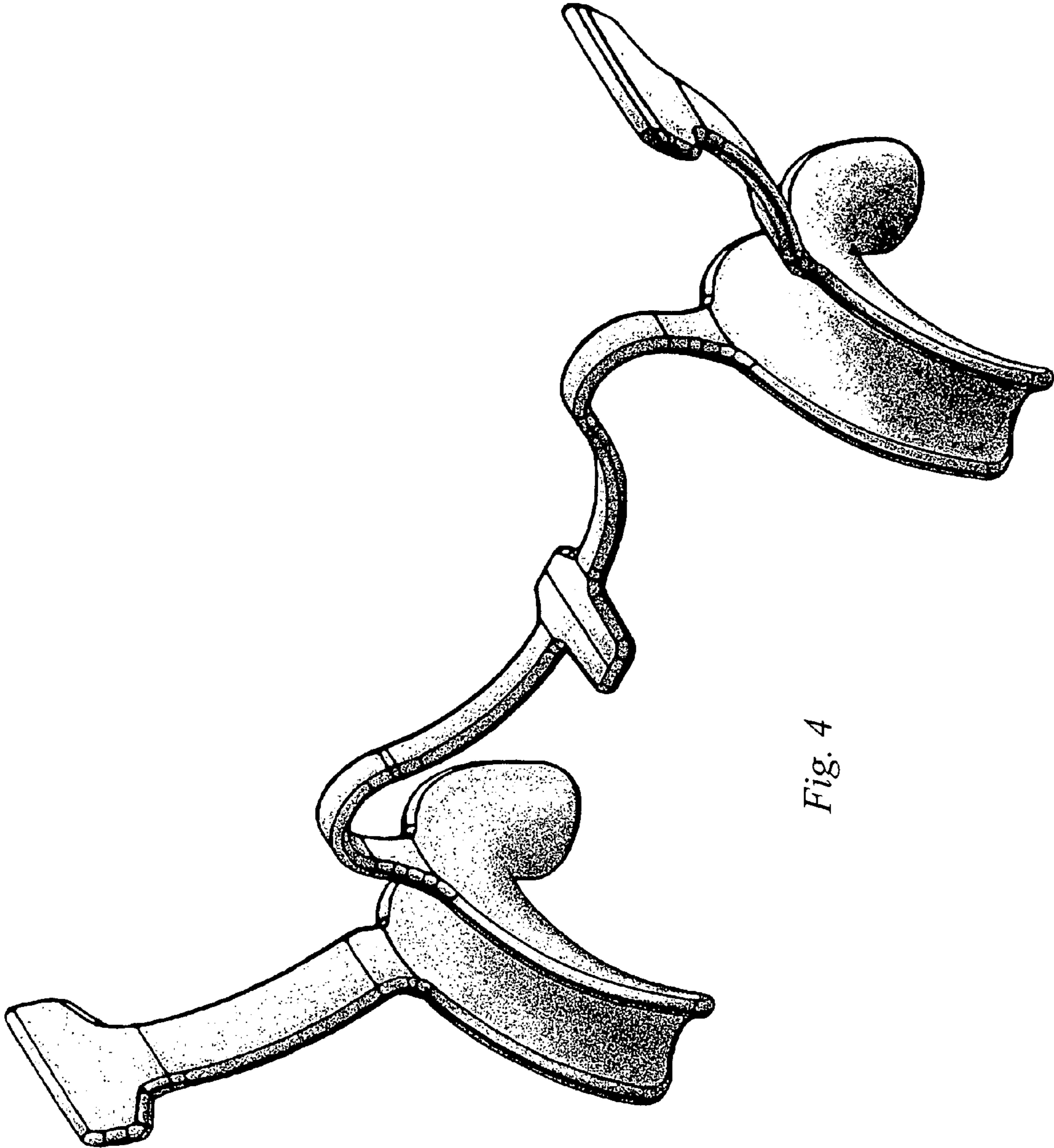


Fig. 4