



US00D568992S

(12) **United States Design Patent**
Bacher et al.

(10) **Patent No.:** **US D568,992 S**

(45) **Date of Patent:** **** May 13, 2008**

(54) **MEDICAL INSTRUMENT**

(75) Inventors: **Uwe Bacher**, Tuttlingen (DE); **Martin Blocher**, Tuttlingen (DE); **Dominik Volkmer**, Friedrlehshafen (DE)

(73) Assignee: **Karl Storz GmbH & Co. KG** (DE)

(**) Term: **14 Years**

(21) Appl. No.: **29/278,122**

(22) Filed: **Mar. 20, 2007**

(30) **Foreign Application Priority Data**

Sep. 20, 2006 (EM) 000591854

(51) **LOC (8) Cl.** **24-02**

(52) **U.S. Cl.** **D24/133**

(58) **Field of Classification Search** D24/108,
D24/133; 604/19-22, 27, 29, 30-37, 39,
604/44, 45, 47, 48, 247, 515-517, 902
See application file for complete search history.

(56) **References Cited**

U.S. PATENT DOCUMENTS

D262,572 S * 1/1982 Rogers D24/146
D352,780 S * 11/1994 Glaeser et al. D24/133
5,609,573 A * 3/1997 Sandock 604/22
D391,367 S * 2/1998 Sandock D24/108

D453,376 S * 2/2002 McMahon et al. D24/108
6,991,621 B2 * 1/2006 Bacher et al. 604/247
D536,444 S * 2/2007 Bacher et al. D24/133
D536,445 S * 2/2007 Bacher et al. D24/133
D536,784 S * 2/2007 Bacher et al. D24/133
D536,785 S * 2/2007 Bacher et al. D24/133

* cited by examiner

Primary Examiner—Ian Simmons

Assistant Examiner—Carissa C Fitts

(74) *Attorney, Agent, or Firm*—St. Onge Steward Johnston & Reens LLC

(57) **CLAIM**

The ornamental design for a medical instrument, as shown and described in the drawings.

DESCRIPTION

FIG. 1 is a side perspective view of a medical instrument in accordance with the new design;

FIG. 2 is a left side elevational view thereof;

FIG. 3 is a right side elevational view thereof;

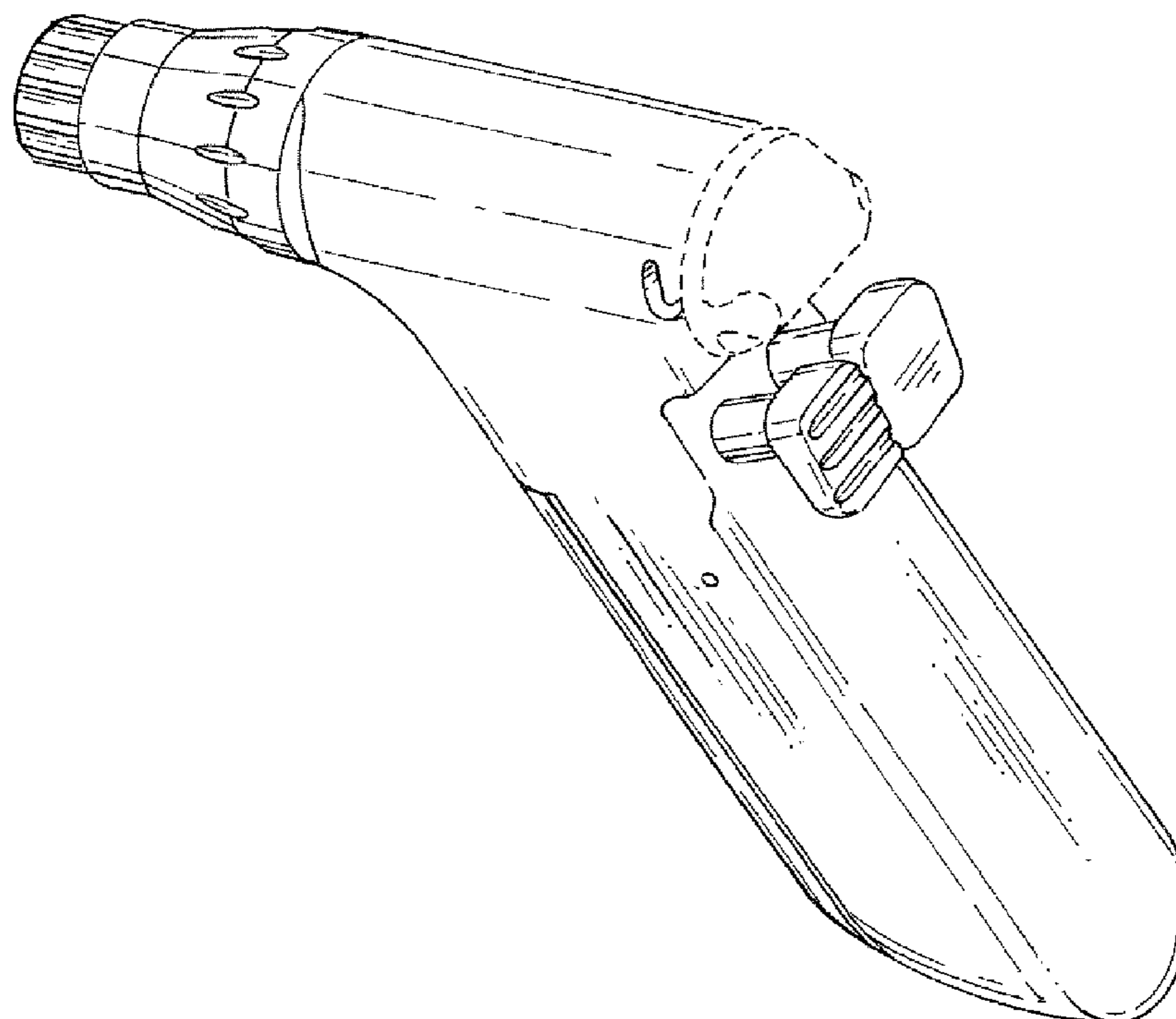
FIG. 4 is a front perspective view thereof;

FIG. 5 is a rear elevational view thereof;

FIG. 6 is a top plan view thereof; and,

FIG. 7 is a bottom plan view thereof.

1 Claim, 6 Drawing Sheets



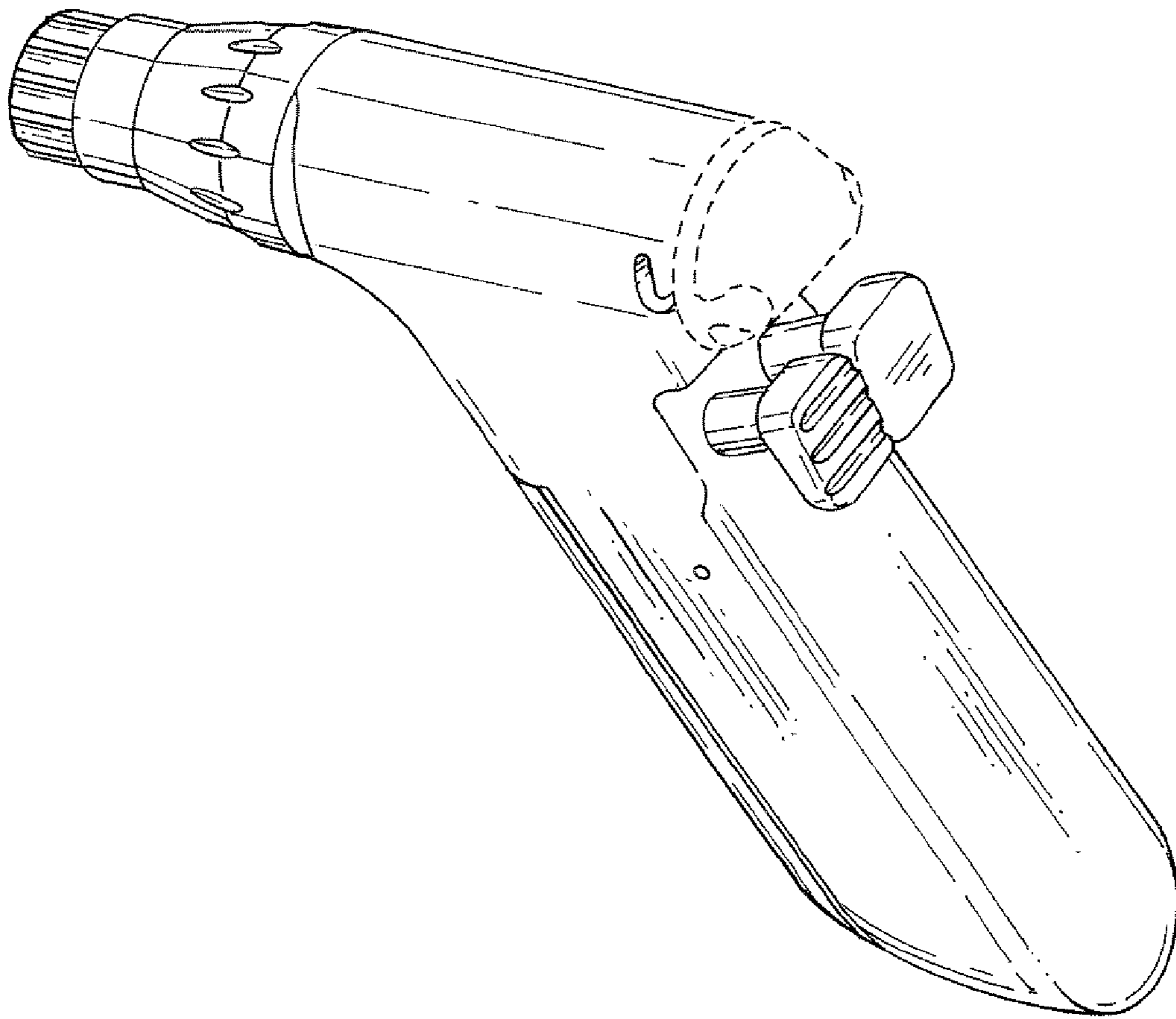


FIG. 1

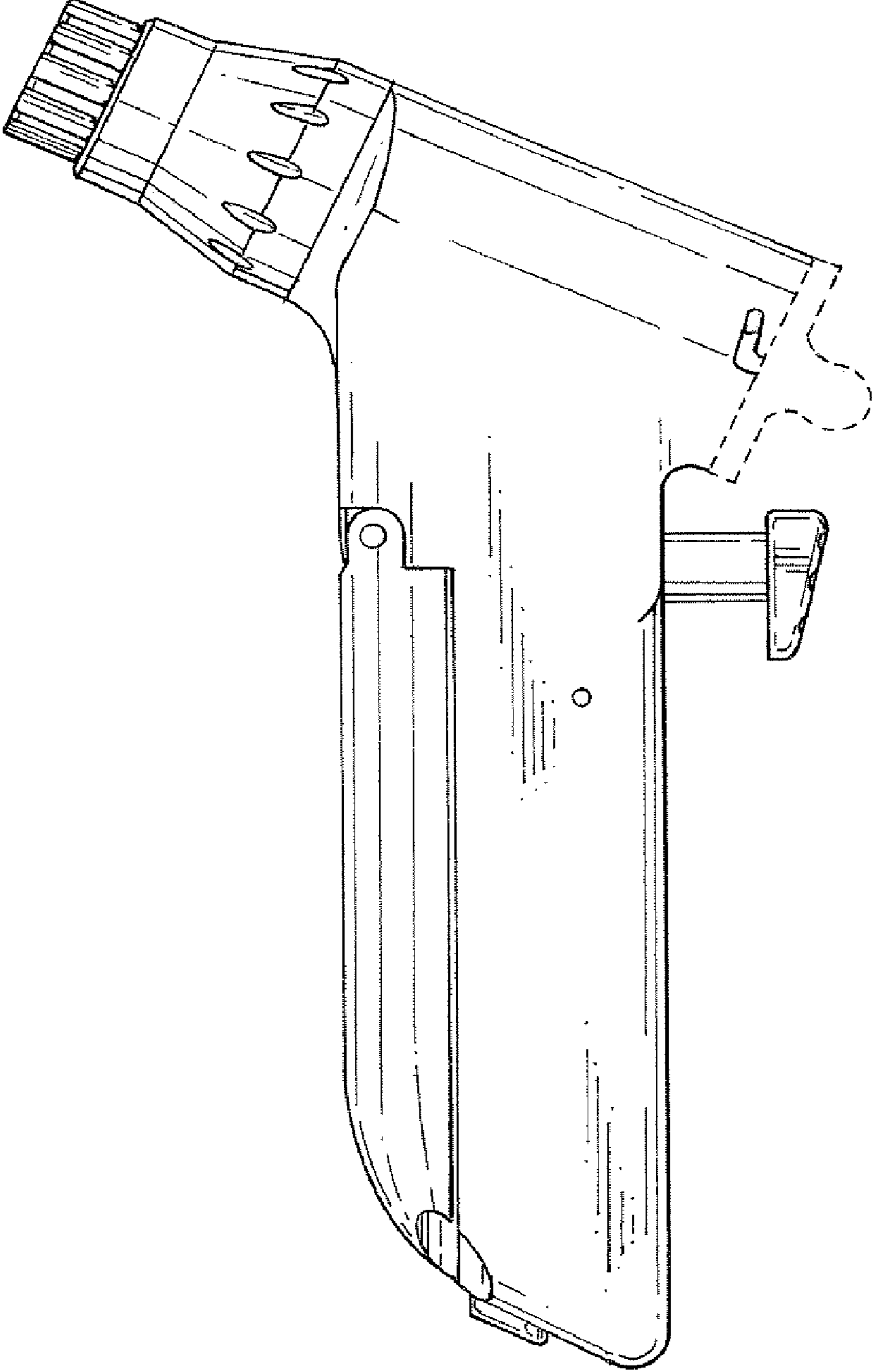


FIG. 2

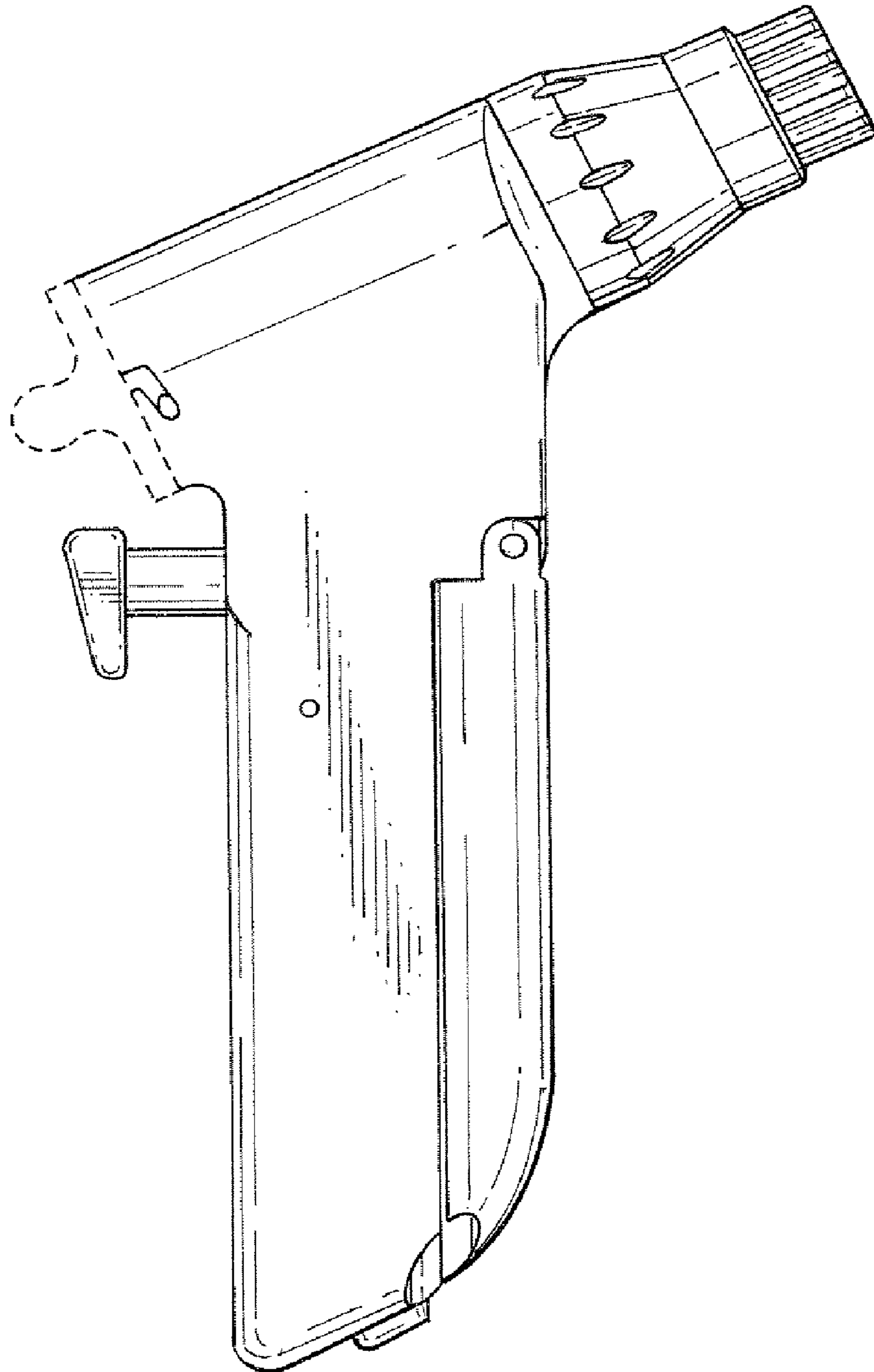


FIG. 3

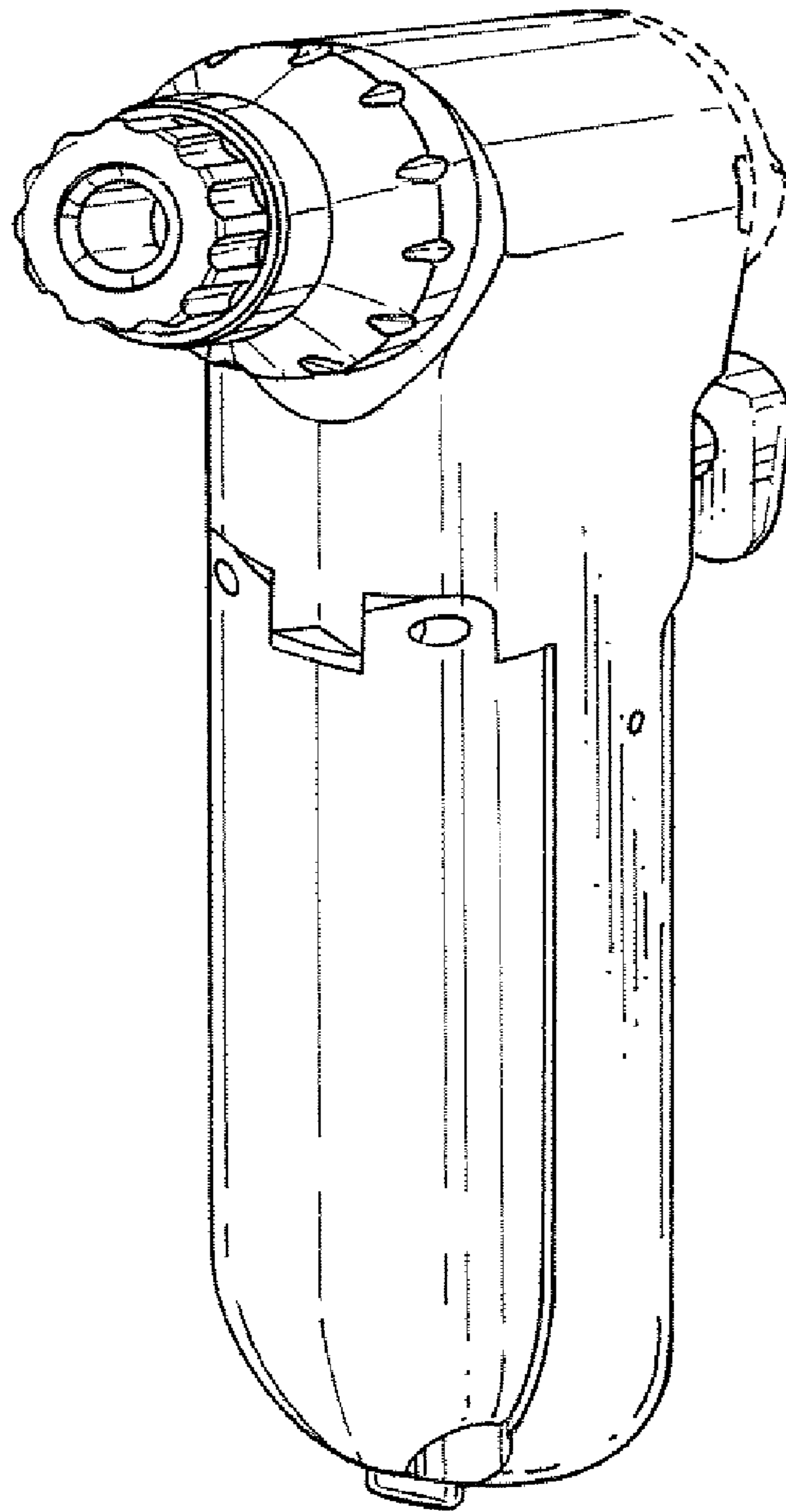


FIG. 4

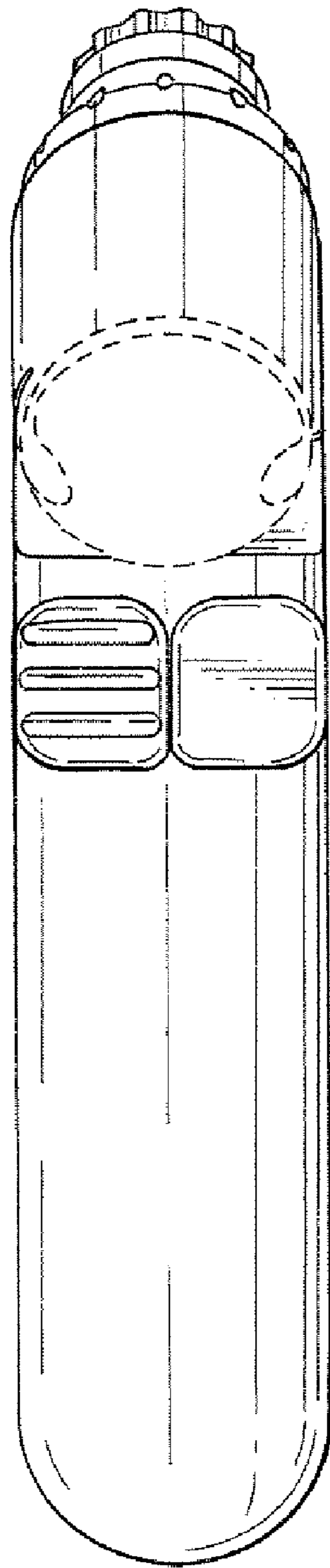


FIG. 5

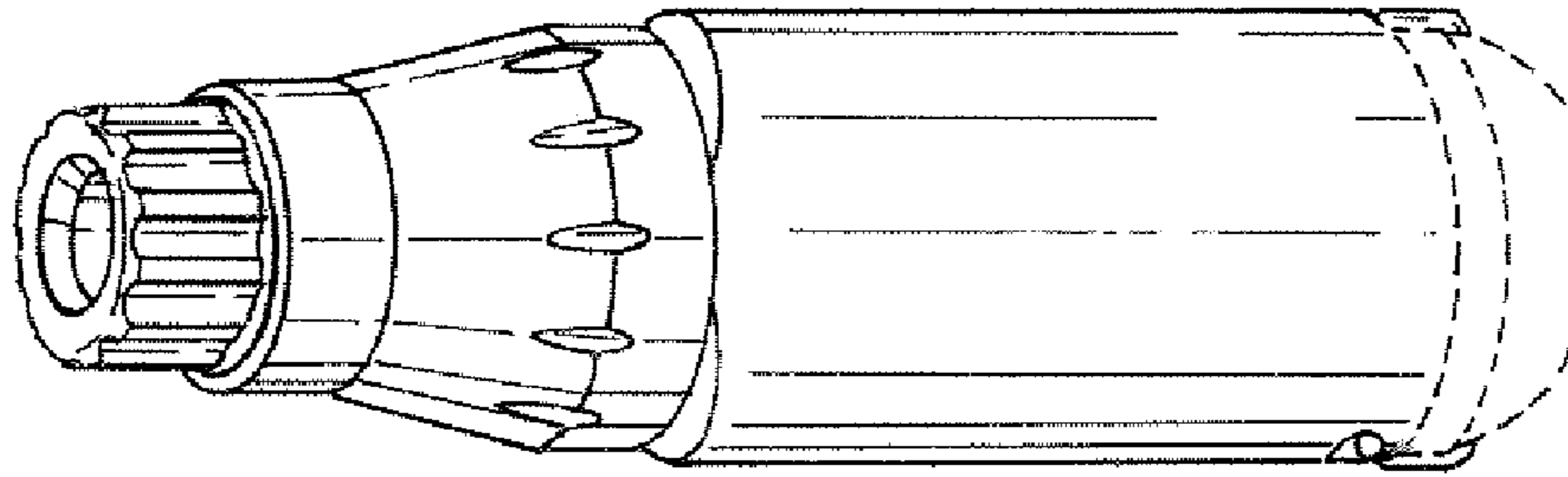


FIG. 6

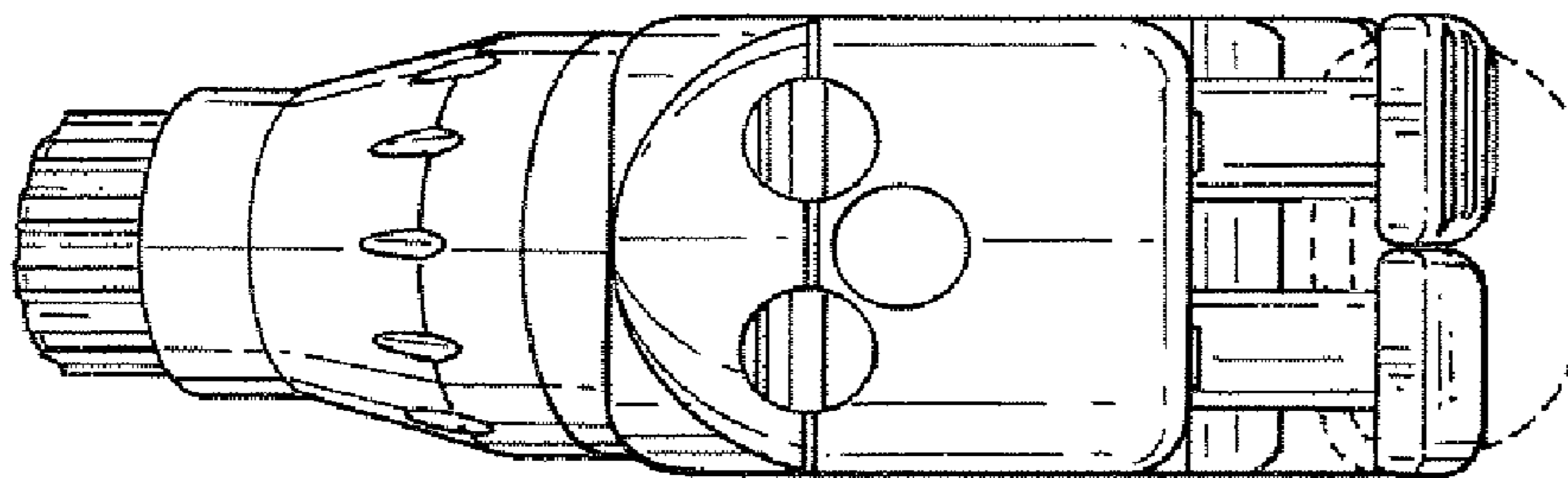


FIG. 7